



(12) **United States Design Patent**
Flores

(10) **Patent No.:** **US D861,069 S**
(45) **Date of Patent:** **** Sep. 24, 2019**

(54) **PORTABLE DISPLAY STAND FOR STUDENTS**

(71) Applicant: **Norma Lisa Flores**, Sullivan City, TX (US)

(72) Inventor: **Norma Lisa Flores**, Sullivan City, TX (US)

(**) Term: **15 Years**

(21) Appl. No.: **29/614,696**

(22) Filed: **Aug. 22, 2017**

(51) **LOC (12) Cl.** **19-07**
(52) **U.S. Cl.**

USPC **D19/59**; D20/10

(58) **Field of Classification Search**
USPC D6/332, 383, 672, 673, 713, 714, 301; 160/351; D20/10, 21, 27, 44; D19/59, D19/62, 64

CPC A47B 2200/12; A47B 2200/0071; A47B 2220/13; A47B 83/001; E04B 2/7416; E04B 2/7427; A47G 5/00; G09F 1/04; G09F 1/06; G09F 1/10; G09F 5/00; G09F 5/02; G09F 5/042; G09F 15/0056

See application file for complete search history.

(56) **References Cited**

U.S. PATENT DOCUMENTS

1,736,726	A *	11/1929	Young	B65D 81/36 206/768
2,499,535	A *	3/1950	Spreen	A47G 1/14 40/729
D246,274	S *	11/1977	Nelson	D6/301
D285,315	S *	8/1986	Kosi	19/26
D331,672	S *	12/1992	Brodbeck	D6/643.1
D333,322	S *	2/1993	Lindblom	D20/44
D358,176	S *	5/1995	Atkinson	D20/21
D369,700	S *	5/1996	Sandy	D6/672
D487,778	S *	3/2004	Kahlig	D20/10

D591,794	S *	5/2009	Laass	D19/59
D612,631	S *	3/2010	Pazhoor	D6/643
D622,975	S *	9/2010	Abel	D6/643
D631,917	S *	2/2011	Ricci	D20/10
D636,023	S *	4/2011	Krause	D19/59
D642,810	S *	8/2011	Mann	D6/300
D651,416	S *	1/2012	Martin	D6/332
D671,764	S *	12/2012	Pazhoor	D6/643
D671,767	S *	12/2012	Pazhoor	D6/643
D817,010	S *	5/2018	Macineira	D6/300
D831,117	S *	10/2018	Yoon	D20/10
D838,774	S *	1/2019	Jana	D19/59
2010/0177019	A1*	7/2010	Jeong	H04N 1/00347 345/1.3
2017/0328127	A1*	11/2017	Stathis	A47B 21/06

* cited by examiner

Primary Examiner — Kevin K Rudzinski

Assistant Examiner — Kimberly Barnes

(74) *Attorney, Agent, or Firm* — Gunn, Lee & Cave, P.C.; Ted E. Lee

(57) **CLAIM**

An ornamental design for a portable display stand for students, as shown and described.

DESCRIPTION

FIG. 1 is a top plan view of a portable display stand for students showing my new design.

FIG. 2 is a front elevation view of FIG. 1.

FIG. 3 is a left-side elevation view of FIG. 1.

FIG. 4 is a right-side elevation view of FIG. 1.

FIG. 5 is a back elevation view of FIG. 1.

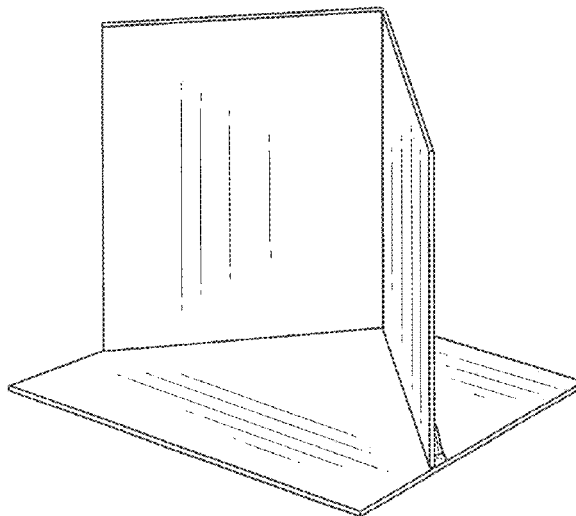
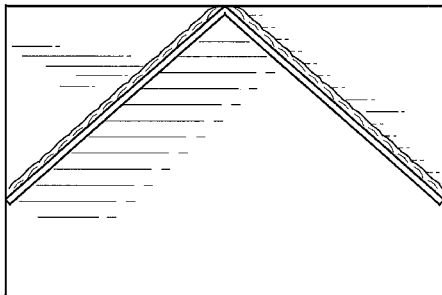
FIG. 6 is a bottom plan view of FIG. 1.

FIG. 7 is a front perspective view of the portable display stand for students; and,

FIG. 8 is a front perspective view showing the portable display stand for students in use.

The broken lines shown in FIG. 8 depict environmental subject matter that forms no part of the claimed design.

1 Claim, 5 Drawing Sheets



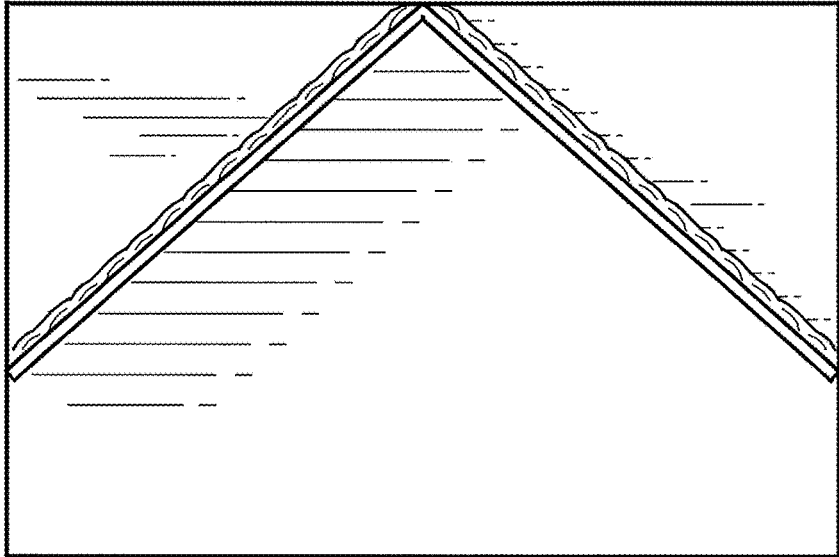


Fig. 1

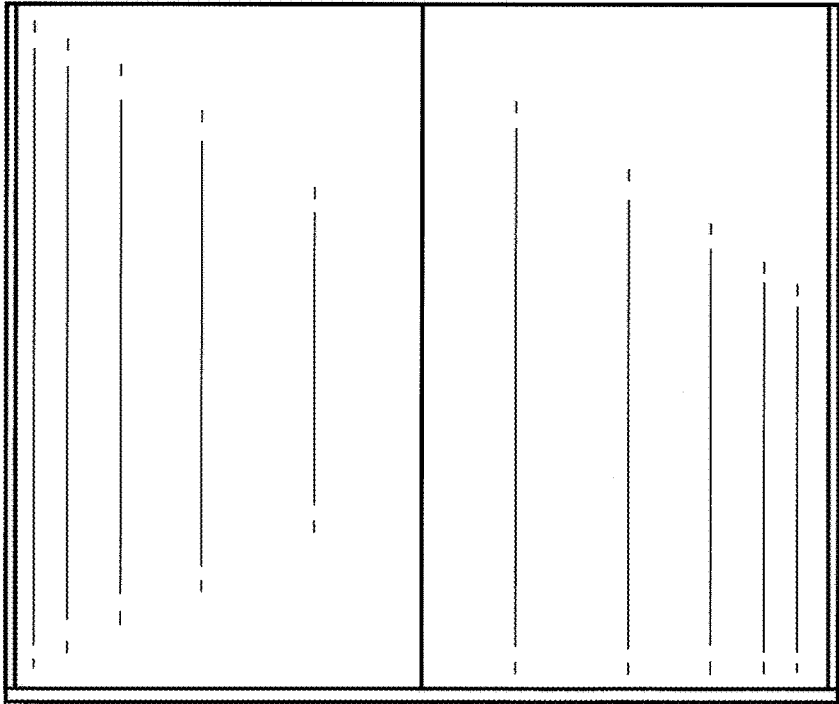


Fig. 2

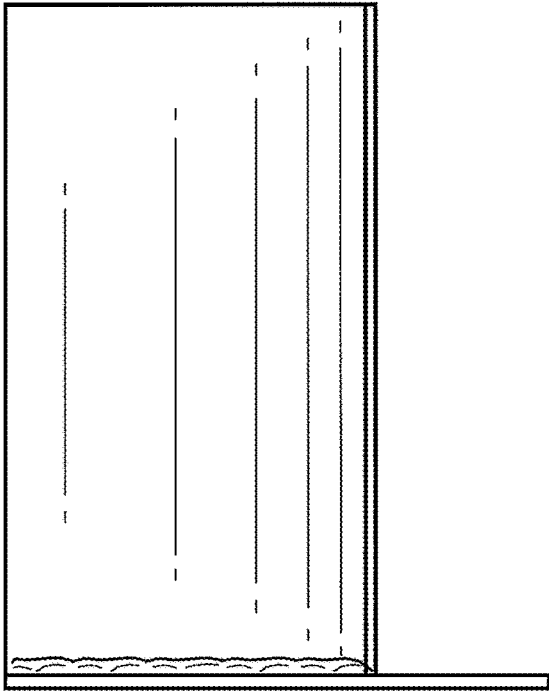


Fig. 3

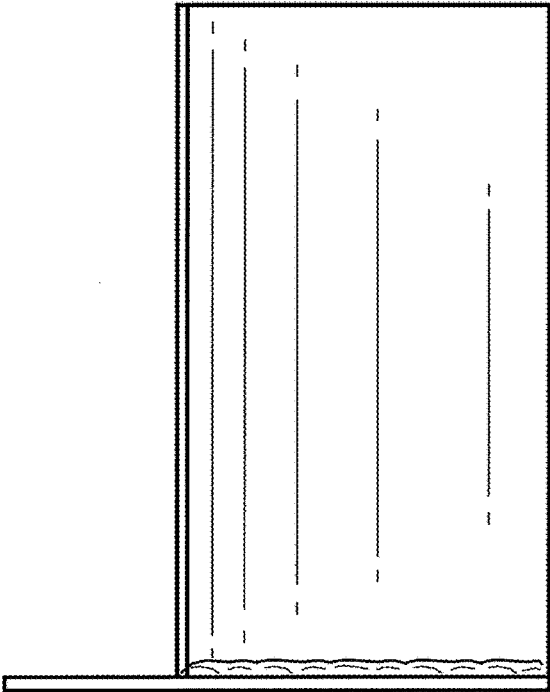


Fig. 4

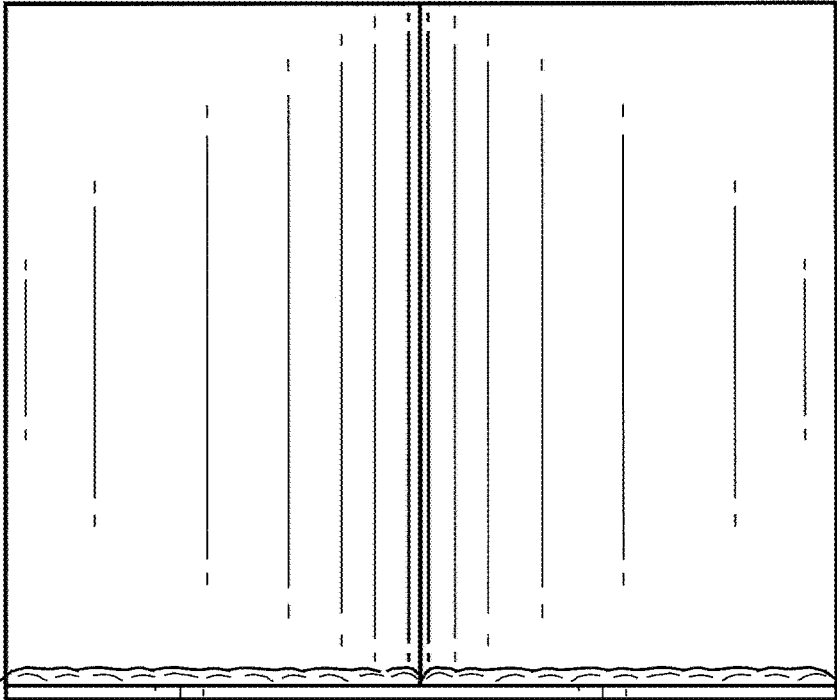


Fig. 5

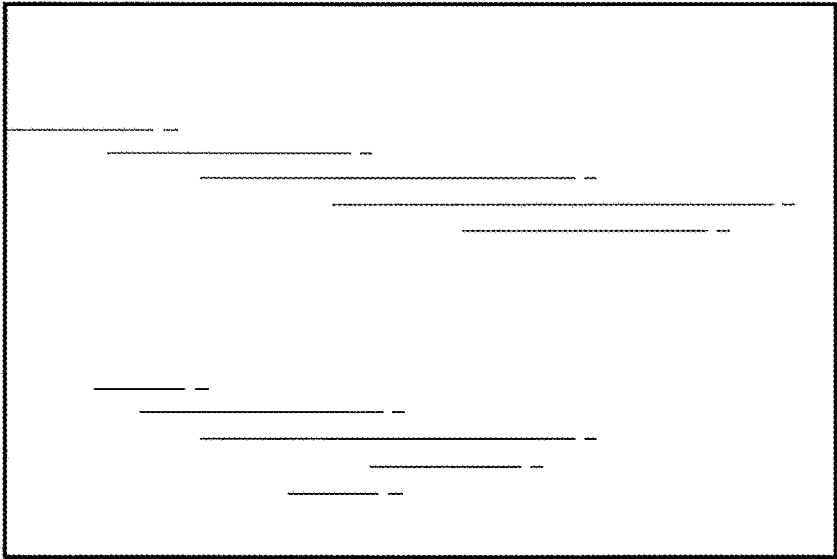


Fig. 6

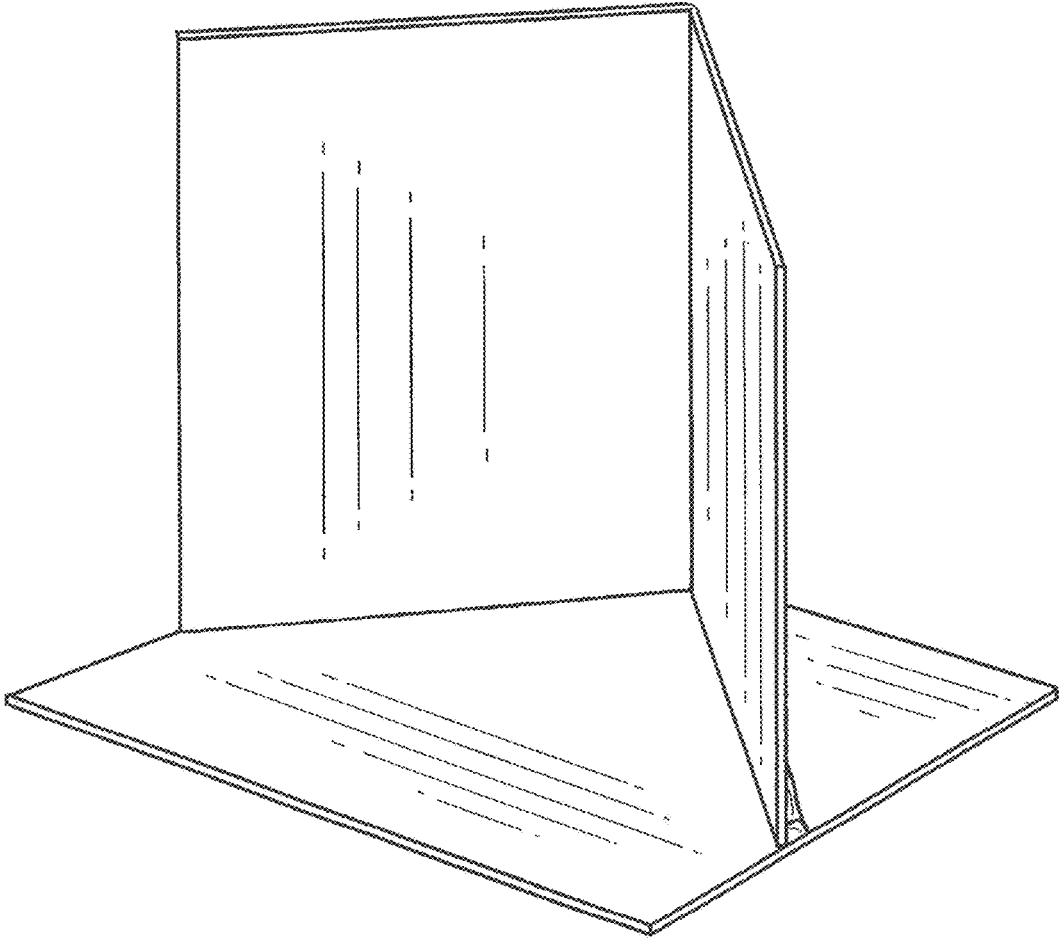


Fig. 7

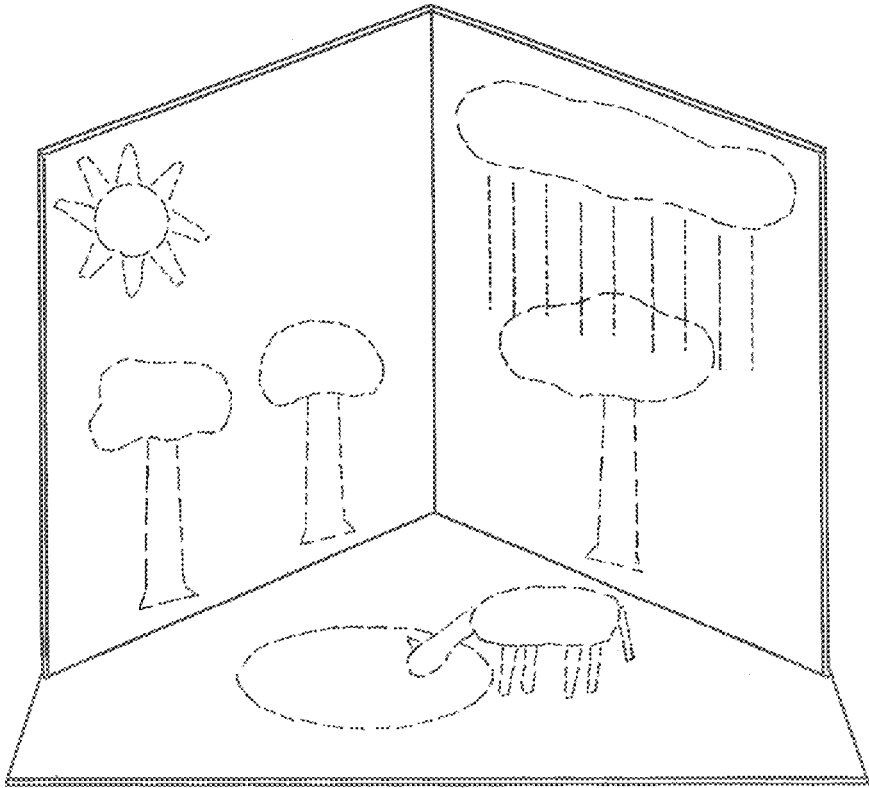


Fig. 8