

(19) World Intellectual Property Organization
International Bureau



(43) International Publication Date
28 December 2006 (28.12.2006)

PCT

(10) International Publication Number
WO 2006/137045 A3

(51) International Patent Classification:
A61B 17/66 (2006.01)

(21) International Application Number:

PCT/IB2006/052094

(22) International Filing Date: 26 June 2006 (26.06.2006)

(25) Filing Language:

Dutch

(26) Publication Language:

English

(30) Priority Data:

2005/0325

24 June 2005 (24.06.2005)

BE

(71) Applicant and

(72) Inventor: DE JONGHE, Norbert [BE/BE]; Sint-hubertuslaan 2, B-8200 Brugge (BE).

(74) Agent: CALLEWAERT, Koen; Bureau Callewaert bvba, Brusselsesteenweg 108, B-3090 Overijse (BE).

(81) Designated States (unless otherwise indicated, for every kind of national protection available): AE, AG, AL, AM, AT, AU, AZ, BA, BB, BG, BR, BW, BY, BZ, CA, CH, CN,

CO, CR, CU, CZ, DE, DK, DM, DZ, EC, EE, EG, ES, FI, GB, GD, GE, GH, GM, HN, HR, HU, ID, IL, IN, IS, JP, KE, KG, KM, KN, KP, KR, KZ, LA, LC, LK, LR, LS, LT, LU, LV, LY, MA, MD, MG, MK, MN, MW, MX, MZ, NA, NG, NI, NO, NZ, OM, PG, PH, PL, PT, RO, RS, RU, SC, SD, SE, SG, SK, SL, SM, SY, TJ, TM, TN, TR, TT, TZ, UA, UG, US, UZ, VC, VN, ZA, ZM, ZW.

(84) Designated States (unless otherwise indicated, for every kind of regional protection available): ARIPO (BW, GH, GM, KE, LS, MW, MZ, NA, SD, SL, SZ, TZ, UG, ZM, ZW), Eurasian (AM, AZ, BY, KG, KZ, MD, RU, TJ, TM), European (AT, BE, BG, CH, CY, CZ, DE, DK, EE, ES, FI, FR, GB, GR, HU, IE, IS, IT, LT, LU, LV, MC, NL, PL, PT, RO, SE, SI, SK, TR), OAPI (BF, BJ, CF, CG, CI, CM, GA, GN, GQ, GW, ML, MR, NE, SN, TD, TG).

Published:

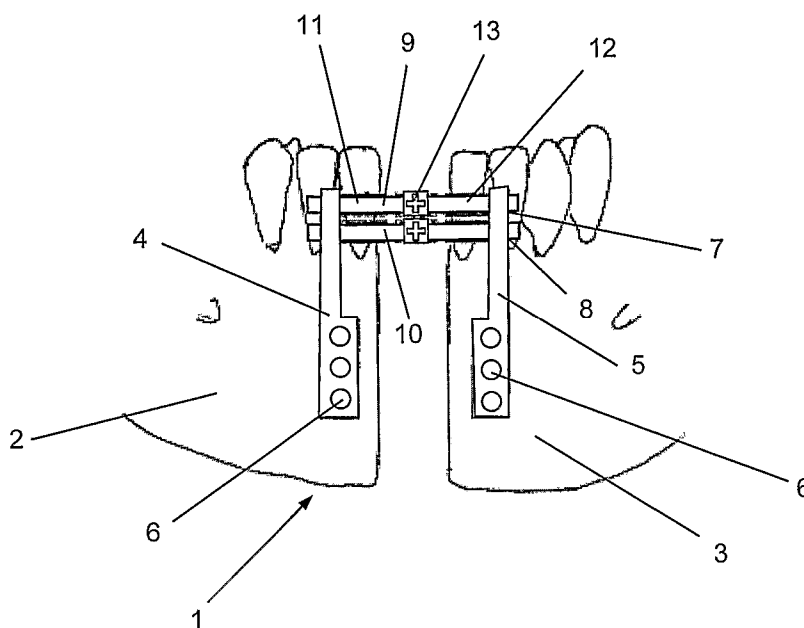
— with international search report

(88) Date of publication of the international search report:

8 March 2007

For two-letter codes and other abbreviations, refer to the "Guidance Notes on Codes and Abbreviations" appearing at the beginning of each regular issue of the PCT Gazette.

(54) Title: DEVICE FOR WIDENING A JAW



(57) Abstract: The invention concerns a distracting device for widening or extending a person's jaw by gradually moving two opposite bone parts of the jaw in relation to one another, whereby this device comprises two fixing elements which must each be fixed to one of said bone parts, whereby these fixing elements have means for fixing at least an expansion element which must extend between said fixing elements so as to connect the latter to each other, characterised in that said expansion element is made relatively rigid and has two parts which are hinge-mounted to each other.



WO 2006/137045 A3

INTERNATIONAL SEARCH REPORT

International application No
PCT/IB2006/052094A. CLASSIFICATION OF SUBJECT MATTER
INV. A61B17/66

According to International Patent Classification (IPC) or to both national classification and IPC

B. FIELDS SEARCHED

Minimum documentation searched (classification system followed by classification symbols)
A61B

Documentation searched other than minimum documentation to the extent that such documents are included in the fields searched

Electronic data base consulted during the international search (name of data base and, where practical, search terms used)

EPO-Internal

C. DOCUMENTS CONSIDERED TO BE RELEVANT

| Category* | Citation of document, with indication, where appropriate, of the relevant passages | Relevant to claim No. |
|-----------|--|-----------------------|
| X | WO 01/80752 A (MOMMAERTS, MAURICE, YVES) 1 November 2001 (2001-11-01) abstract; claims 1,3; figures 1,4 page 2, lines 14-22 | 1,4-6,8 |
| X | US 4 988 349 A (PENNIG ET AL) 29 January 1991 (1991-01-29) abstract; figures 1,2 | 1,3 |
| A | column 1, lines 6-13,37-48 | 6,8 |
| X | US 6 358 255 B1 (TESTA MAURO) 19 March 2002 (2002-03-19) abstract; claim 11; figures 9,9a | 1 |
| A | column 2, lines 49-59 column 6, lines 43-59 | 6 |
| | ----- -/-- | |

 Further documents are listed in the continuation of Box C. See patent family annex.

* Special categories of cited documents :

- *A* document defining the general state of the art which is not considered to be of particular relevance
- *E* earlier document but published on or after the international filing date
- *L* document which may throw doubts on priority claim(s) or which is cited to establish the publication date of another citation or other special reason (as specified)
- *O* document referring to an oral disclosure, use, exhibition or other means
- *P* document published prior to the international filing date but later than the priority date claimed

- *T* later document published after the international filing date or priority date and not in conflict with the application but cited to understand the principle or theory underlying the invention
- *X* document of particular relevance; the claimed invention cannot be considered novel or cannot be considered to involve an inventive step when the document is taken alone
- *Y* document of particular relevance; the claimed invention cannot be considered to involve an inventive step when the document is combined with one or more other such documents, such combination being obvious to a person skilled in the art.
- *&* document member of the same patent family

Date of the actual completion of the international search

1 December 2006

Date of mailing of the international search report

08/12/2006

Name and mailing address of the ISA/

European Patent Office, P.B. 5818 Patentlaan 2
NL - 2280 HV Rijswijk
Tel. (+31-70) 340-2040, Tx. 31 651 epo nl,
Fax: (+31-70) 340-3016

Authorized officer

Macaire, Stéphane

INTERNATIONAL SEARCH REPORT

International application No
PCT/IB2006/052094

C(Continuation). DOCUMENTS CONSIDERED TO BE RELEVANT

| Category* | Citation of document, with indication, where appropriate, of the relevant passages | Relevant to claim No. |
|-----------|---|-----------------------|
| X | EP 0 832 613 A (EUROPEAN COMMUNITY) 1 April 1998 (1998-04-01) abstract; claims 1,8; figures 1,3,4 ----- | 1,3,6 |
| A | US 6 322 566 B1 (MINORETTI ROGER ET AL) 27 November 2001 (2001-11-27) abstract; figures 4,6 column 2, lines 55-59 ----- | 1,6 |

INTERNATIONAL SEARCH REPORT

Information on patent family members

International application No

PCT/IB2006/052094

| Patent document cited in search report | Publication date | Patent family member(s) | Publication date |
|--|------------------|-------------------------|----------------------------|
| WO 0180752 | A | 01-11-2001 | AT 270853 T 15-07-2004 |
| | | | AU 5630701 A 07-11-2001 |
| | | | BE 1013397 A3 04-12-2001 |
| | | | DE 60104297 D1 19-08-2004 |
| | | | DK 1274355 T3 22-11-2004 |
| | | | EP 1274355 A1 15-01-2003 |
| | | | ES 2225534 T3 16-03-2005 |
| | | | TR 200402672 T4 22-11-2004 |
| | | | ----- |
| US 4988349 | A | 29-01-1991 | DE 3701533 A1 04-08-1988 |
| | | | WO 8805287 A1 28-07-1988 |
| | | | EP 0298100 A1 11-01-1989 |
| | | | JP 7067467 B 26-07-1995 |
| | | | JP 1501845 T 29-06-1989 |
| ----- | | | |
| US 6358255 | B1 | 19-03-2002 | NONE |
| ----- | | | |
| EP 0832613 | A | 01-04-1998 | AT 211896 T 15-02-2002 |
| | | | DE 69618591 D1 21-02-2002 |
| | | | DE 69618591 T2 22-08-2002 |
| | | | DK 832613 T3 29-04-2002 |
| | | | WO 9814130 A1 09-04-1998 |
| | | | ES 2169788 T3 16-07-2002 |
| | | | JP 2001501114 T 30-01-2001 |
| | | | NO 991408 A 26-05-1999 |
| | | | PT 832613 T 28-06-2002 |
| ----- | | | |
| US 6322566 | B1 | 27-11-2001 | AU 9154298 A 16-02-1999 |
| | | | DE 59809815 D1 06-11-2003 |
| | | | WO 9904715 A1 04-02-1999 |
| | | | EP 0998237 A1 10-05-2000 |
| ----- | | | |