



US00D748598S

(12) **United States Design Patent**
Stein et al.

(10) **Patent No.:** **US D748,598 S**

(45) **Date of Patent:** **** Feb. 2, 2016**

(54) **SPEAKER FOR A LIGHT BAR**

(71) Applicant: **Code 3, Inc.**, St. Louis, MO (US)

(72) Inventors: **Paul L. Stein**, O'Fallon, MO (US);
Brian R. Merriman, Webster Groves,
MO (US)

(73) Assignee: **Code 3, Inc.**, St. Louis, MO (US)

(**) Term: **14 Years**

(21) Appl. No.: **29/457,729**

(22) Filed: **Jun. 12, 2013**

(51) **LOC (10) Cl.** **14-01**

(52) **U.S. Cl.**
USPC **D14/204**

(58) **Field of Classification Search**

USPC D14/133, 204, 210, 214, 221, 242, 243,
D14/258, 265, 358, 433, 500-504; D26/51,
D26/67, 69, 70, 104; 181/114, 143, 144,
181/148, 198; 359/533, 548, 549; 455/557,
455/569.2; 711/100, 115; 720/649, 658,
720/691
CPC F21V 15/04; F21V 19/00; F21V 21/00;
H04R 7/00

See application file for complete search history.

(56) **References Cited**

U.S. PATENT DOCUMENTS

3,683,101 A 8/1972 Liberman
4,058,794 A 11/1977 Menke
D249,250 S 9/1978 Peirish, Jr.
4,160,286 A 7/1979 Merritt
D254,604 S 4/1980 Gosswiller
4,198,768 A 4/1980 Wahl et al.
4,224,599 A 9/1980 Peirish, Jr. et al.
D262,659 S 1/1982 Latta et al.
4,543,622 A 9/1985 Menke et al.
4,577,178 A 3/1986 Hitora
D286,756 S 11/1986 Menke et al.

D291,870 S 9/1987 Urbanski et al.
4,744,012 A 5/1988 Bergkvist
4,915,479 A 4/1990 Clarke
D312,424 S 11/1990 Foster
D312,425 S 11/1990 Foster
D312,978 S 12/1990 Foster
5,027,260 A 6/1991 Lyons et al.
5,091,828 A 2/1992 Jincks et al.

(Continued)

FOREIGN PATENT DOCUMENTS

DE 19916238 A1 10/2000
JP 409069303 A 3/1997

OTHER PUBLICATIONS

Superior Chip-on-Board Technology for the most demanding LED applications, LED Solutions, PerkinElmer, 8 pages (2006).

(Continued)

Primary Examiner — Derrick Holland
Assistant Examiner — Janice Lim

(74) *Attorney, Agent, or Firm* — Stoel Rives LLP

(57) **CLAIM**

The ornamental design for a speaker for a light bar, as shown and described.

DESCRIPTION

FIG. 1 is a perspective view of a speaker for a light bar, showing our new design.

FIG. 2 is a front elevation view thereof.

FIG. 3 is a right side elevation view thereof.

FIG. 4 is a top plan view thereof.

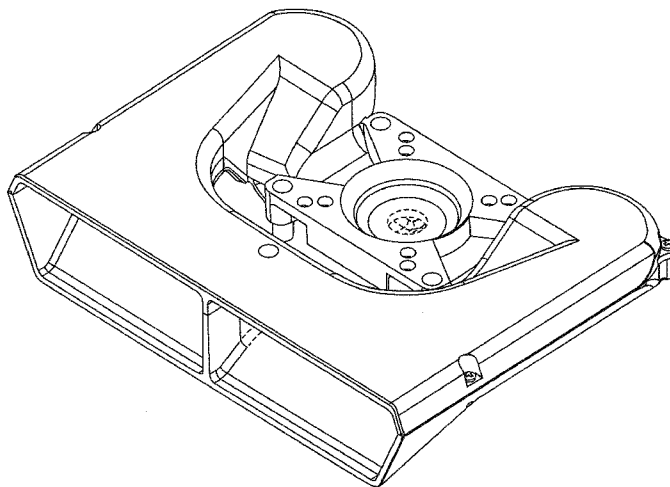
FIG. 5 is a rear elevation view thereof.

FIG. 6 is a left side elevation view thereof; and,

FIG. 7 is a bottom plan view thereof.

The broken line portions of FIGS. 1, 2, 4, and 7 are included to show unclaimed subject matter only and form no part of the claimed design.

1 Claim, 7 Drawing Sheets



(56)

References Cited

U.S. PATENT DOCUMENTS

5,097,397 A 3/1992 Stanuch et al.
 D326,621 S 6/1992 Jincks et al.
 5,255,171 A 10/1993 Clark
 D343,817 S 2/1994 Morrow
 D345,315 S 3/1994 Green et al.
 D345,316 S 3/1994 Green et al.
 D347,704 S 6/1994 Thompson et al.
 D355,142 S 2/1995 Wagner
 D359,461 S 6/1995 Chen
 D360,845 S 8/1995 Smith et al.
 5,452,188 A 9/1995 Green et al.
 D363,675 S 10/1995 Sasaki et al.
 D379,988 S * 6/1997 Holdaway et al. D14/208
 5,823,965 A 10/1998 Rasmussen
 5,826,965 A 10/1998 Lyons
 D402,909 S 12/1998 Stanuch
 5,884,997 A 3/1999 Stanuch et al.
 D410,402 S 6/1999 Stein et al.
 D412,678 S 8/1999 Smith et al.
 D424,728 S 5/2000 Green et al.
 6,081,191 A 6/2000 Green et al.
 D427,537 S 7/2000 Green et al.
 D432,038 S 10/2000 Sasaki et al.
 D432,444 S 10/2000 Sasaki et al.
 6,140,918 A 10/2000 Green et al.
 6,205,998 B1 3/2001 Winston
 D442,106 S 5/2001 Stein et al.
 6,272,269 B1 8/2001 Naum
 6,318,863 B1 11/2001 Tiao et al.
 6,406,169 B1 6/2002 Munsey
 D460,950 S 7/2002 Miller et al.
 6,441,750 B1 8/2002 Hutchison
 D468,726 S * 1/2003 Shimokawatoko et al. . D14/215
 6,504,487 B1 1/2003 Pederson
 D469,711 S 2/2003 Neufeglise et al.
 D476,253 S 6/2003 Stein et al.
 6,637,924 B2 10/2003 Pelka et al.
 6,722,776 B1 4/2004 Lyons et al.
 D489,466 S 5/2004 Dohogne et al.
 D492,047 S 6/2004 Dohogne et al.
 6,814,459 B2 11/2004 Pederson
 D499,976 S 12/2004 Neufeglise et al.
 6,845,893 B2 1/2005 Nelson
 6,856,436 B2 2/2005 Brukilacchio et al.
 6,857,772 B2 2/2005 Brukilacchio
 6,863,424 B2 3/2005 Smith
 6,871,982 B2 3/2005 Holman et al.
 6,967,986 B2 11/2005 Kowarz et al.
 6,968,103 B1 11/2005 Schroll et al.
 7,001,084 B2 2/2006 Carpenter et al.
 D518,023 S 3/2006 Miller
 7,008,079 B2 3/2006 Smith
 7,009,789 B1 3/2006 Brown
 D518,400 S 4/2006 Sasaki et al.
 D520,395 S 5/2006 Lazalier
 D529,279 S 10/2006 Parks
 7,121,691 B2 10/2006 Coushaine et al.

7,148,957 B2 12/2006 Tolbert et al.
 7,153,015 B2 12/2006 Brukilacchio
 7,189,983 B2 3/2007 Aguirre et al.
 D545,230 S 6/2007 Jalala
 7,234,820 B2 6/2007 Harbers et al.
 7,246,917 B2 7/2007 Rhoads et al.
 7,253,448 B2 8/2007 Roberts et al.
 7,278,513 B2 * 10/2007 Brawley, Jr. 181/176
 7,280,722 B2 10/2007 Temkin et al.
 7,300,175 B2 11/2007 Brukilacchio
 7,357,530 B2 4/2008 Wang et al.
 7,372,642 B2 5/2008 Rohaly et al.
 D578,425 S 10/2008 Shin
 7,455,410 B2 11/2008 Furusawa et al.
 D585,318 S 1/2009 Jalala
 7,476,013 B2 1/2009 Gergets et al.
 7,481,538 B2 1/2009 Furusawa et al.
 7,488,088 B2 2/2009 Brukilacchio
 7,488,101 B2 2/2009 Brukilacchio
 7,488,102 B2 2/2009 Brukilacchio
 D590,287 S * 4/2009 Bartlett D10/120
 7,513,659 B2 4/2009 Vukosic et al.
 D592,180 S * 5/2009 Davis et al. D14/204
 D602,391 S 10/2009 Stein
 7,621,658 B2 11/2009 Grotsch et al.
 D607,435 S * 1/2010 Jiang D14/209.1
 7,646,550 B2 1/2010 Rohaly et al.
 D618,212 S * 6/2010 Jiang et al. D14/209.1
 7,819,591 B2 10/2010 Rohaly et al.
 7,832,878 B2 11/2010 Brukilacchio et al.
 7,854,531 B1 12/2010 Lyons
 D630,959 S 1/2011 Stuesse et al.
 7,898,665 B2 3/2011 Brukilacchio et al.
 7,963,666 B2 6/2011 Leung et al.
 8,035,121 B2 10/2011 Park
 8,147,108 B2 4/2012 Stein et al.
 8,342,725 B2 1/2013 Stein et al.
 2002/0071268 A1 6/2002 Pederson
 2003/0025608 A1 2/2003 Pederson
 2003/0031028 A1 2/2003 Murray et al.
 2003/0043590 A1 3/2003 Walser et al.
 2004/0120152 A1 6/2004 Bolta et al.
 2005/0224846 A1 10/2005 Imato et al.
 2006/0043400 A1 3/2006 Erchak et al.
 2006/0250269 A1 11/2006 Wang et al.
 2007/0024461 A1 2/2007 Pederson et al.
 2007/0128745 A1 6/2007 Brukilacchio et al.
 2007/0195939 A1 8/2007 Sink et al.
 2007/0258239 A1 11/2007 Stein et al.
 2008/0030974 A1 2/2008 Abu-Ageel
 2008/0218328 A1 9/2008 Chiu
 2009/0122533 A1 5/2009 Brukilacchio
 2009/0207612 A1 * 8/2009 Datz et al. 362/249.14
 2010/0110660 A1 5/2010 Brukilacchio

OTHER PUBLICATIONS

Computer Desktop Encyclopedia 2000, Definition of "Tape Automated Bonding", 1 page (2000).

* cited by examiner

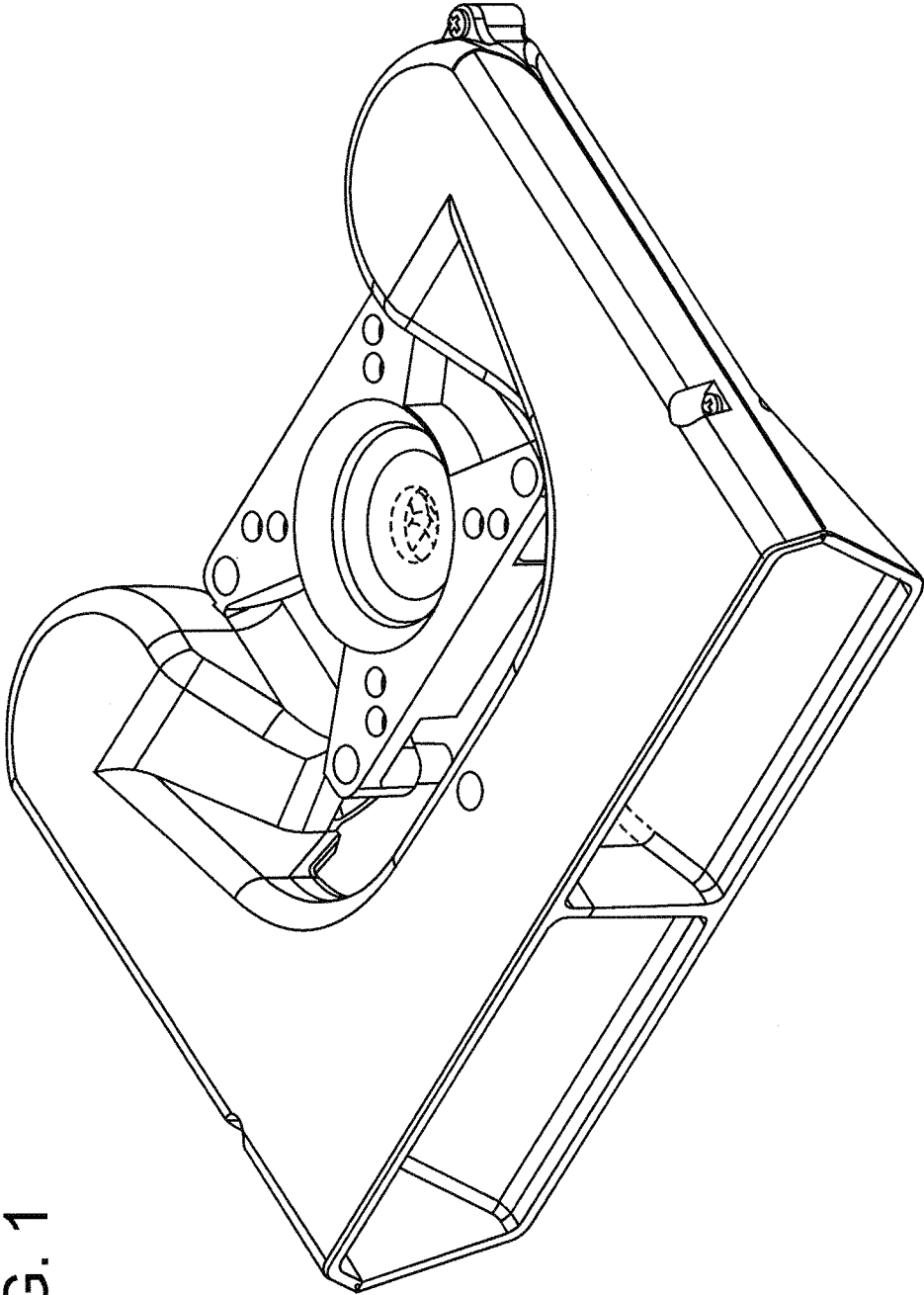
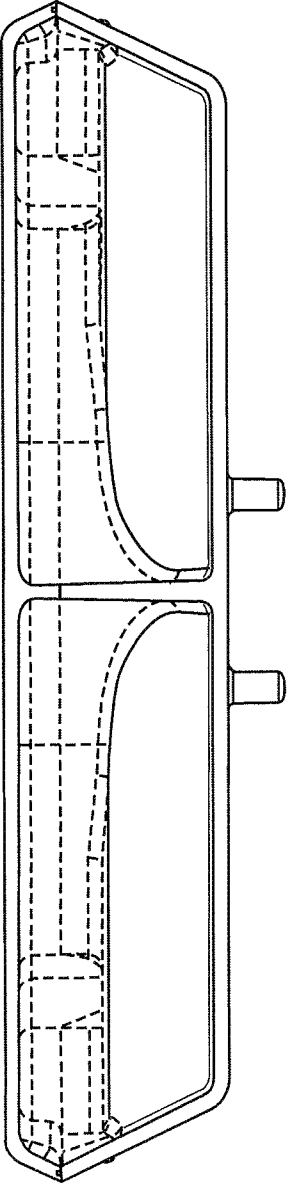


FIG. 1

FIG. 2



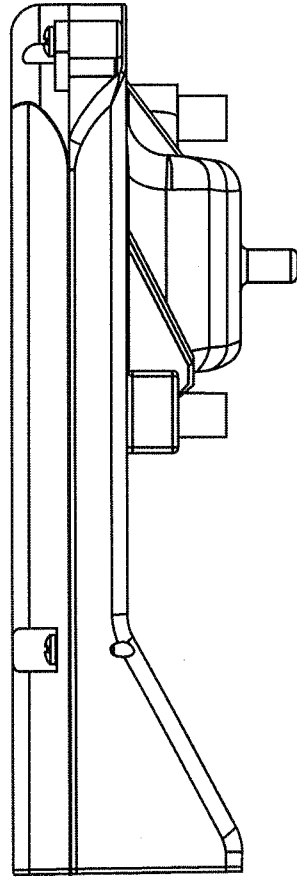


FIG. 3

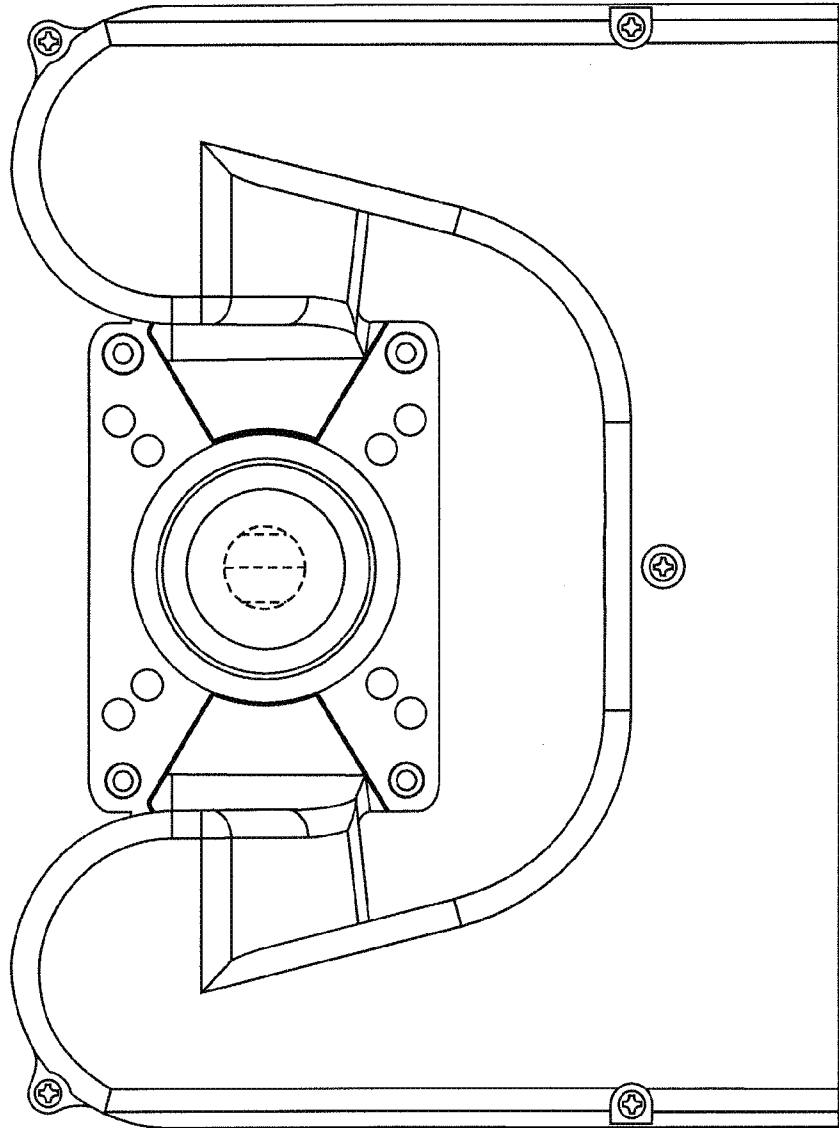


FIG. 4

FIG. 5

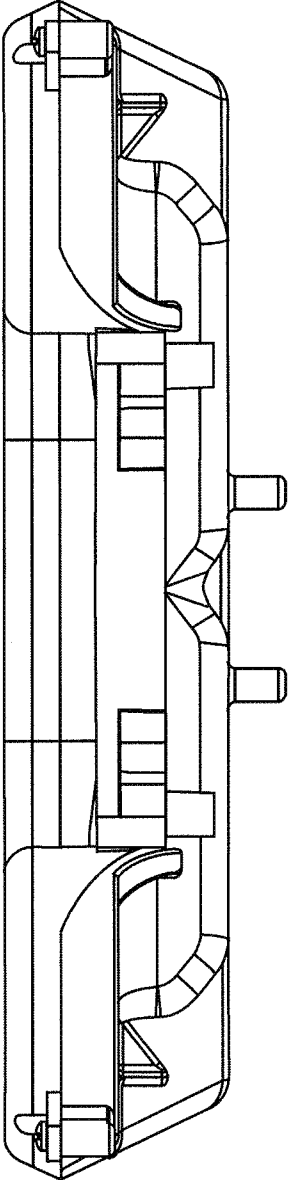
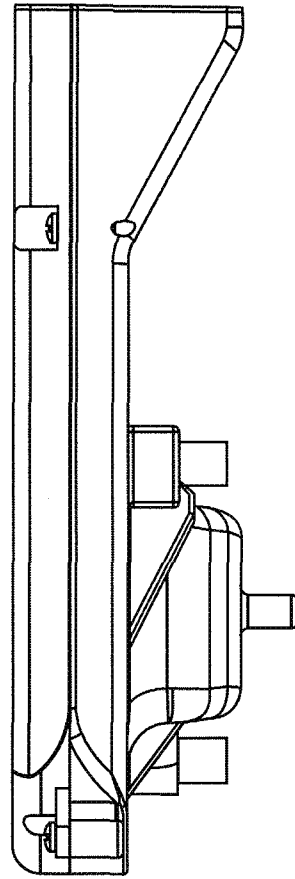


FIG. 6



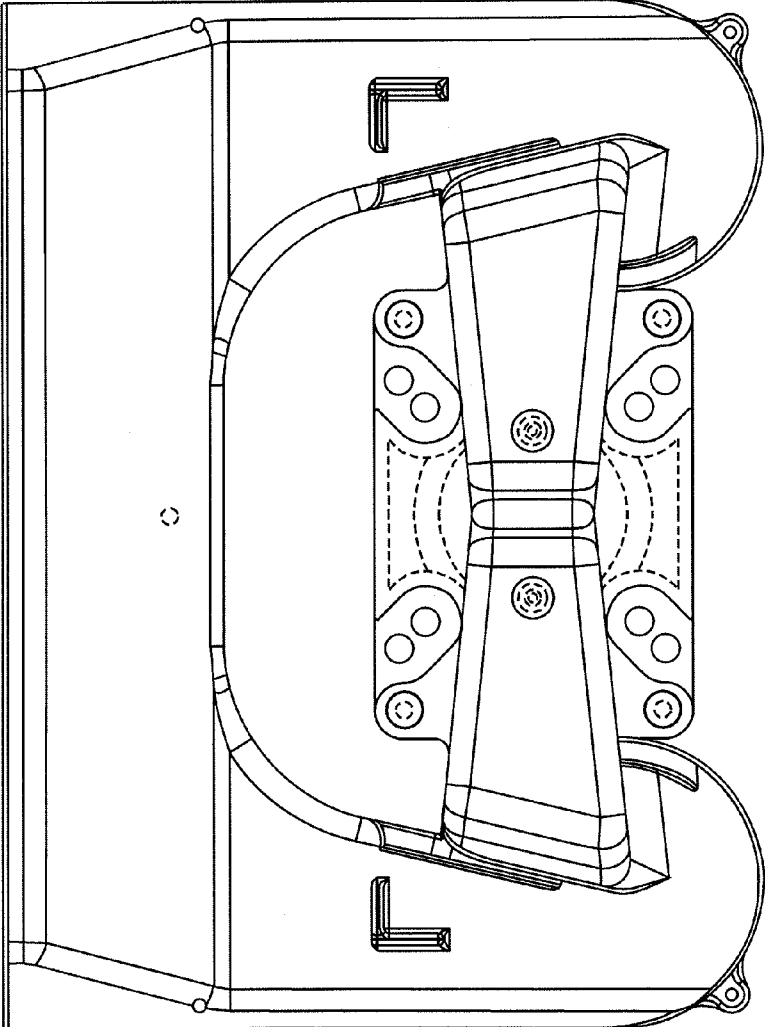


FIG. 7