



US00D764674S

(12) **United States Design Patent**
Quinn

(10) **Patent No.:** **US D764,674 S**

(45) **Date of Patent:** **** Aug. 23, 2016**

- (54) **FINGER RING**
- (71) Applicant: **CUMBRE INTERNATIONAL LIMITED, Labuan (MY)**
- (72) Inventor: **Mark Quinn, Labuan (MY)**
- (73) Assignee: **CUMBRE INTERNATIONAL LIMITED, Labuan (MY)**
- (**) Term: **15 Years**
- (21) Appl. No.: **29/528,145**
- (22) Filed: **May 26, 2015**

5,295,996	A *	3/1994	Blair	A61B 17/1325
					128/119.1
D356,433	S *	3/1995	Humphrey	D2/614
D386,105	S *	11/1997	Kornmann	D11/4
5,695,520	A *	12/1997	Bruckner	A61B 17/1325
					606/201
D455,098	S *	4/2002	Stefanelli	D11/26
D528,456	S *	9/2006	Thompson	D11/27
D545,235	S *	6/2007	Carter-Smith	D11/27
D546,464	S *	7/2007	Savoia	D24/200
D612,552	S *	3/2010	Matz	D30/160
D616,559	S *	5/2010	Boyer	D24/106
D667,752	S *	9/2012	Leclerc	D11/202
D670,396	S *	11/2012	Doogan	D24/200
D710,737	S *	8/2014	West	D11/3
2015/0224025	A1 *	8/2015	Darna	A61H 39/04
					606/204

(30) **Foreign Application Priority Data**

Nov. 24, 2014 (MX) MX/f/2014/003627

(51) **LOC (10) Cl.** **24-02**

(52) **U.S. Cl.**
USPC **D24/200; D11/27**

(58) **Field of Classification Search**

USPC D11/1, 2, 3, 4, 5, 26-39, 91, 92, 86;
D24/200, 211; 606/204

CPC A44C 5/00; A44C 5/0007; A44C 5/0015;
A44C 5/003; A44C 5/053; A44C 9/00;
A44C 9/0007; A44C 9/0014; A44C 9/0023;
A44C 9/003; A44C 9/0038; A44C 9/0046;
A44C 9/0053; A44C 9/0061; A44C 9/0069;
A44C 9/0076; A44C 17/0258; A44C
17/0266; A44C 17/0275; A44C 17/0283;
A44C 17/02; A44C 17/0208; A61H 39/0007;
A61H 39/04

See application file for complete search history.

(56) **References Cited**

U.S. PATENT DOCUMENTS

D50,056	S *	12/1916	Bonnevier	63/15
D305,310	S *	1/1990	Flinchbaugh	D11/26
D319,035	S *	8/1991	Kruse	D11/202
5,078,728	A *	1/1992	Giarratano	A61H 39/04
					606/201

OTHER PUBLICATIONS

[Online] <http://goodnightsnoring.com/>. Retrieved Mar. 15, 2016.*
 [Online] <http://yinyangsnoring.com/wp-content/uploads/2013/03/Yin-Yang-Ring-300.png>. Retrieved Mar. 15, 2016.*

* cited by examiner

Primary Examiner — Garth Rademaker
Assistant Examiner — Melanie Pellegrini
 (74) *Attorney, Agent, or Firm* — Polsinelli PC

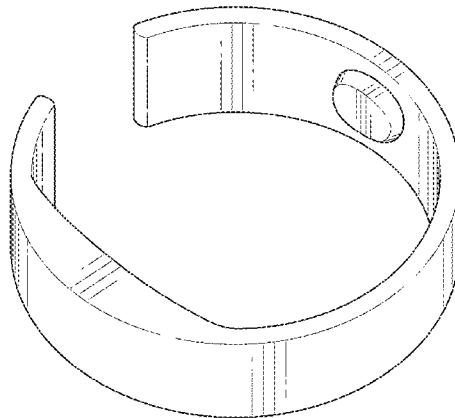
(57) **CLAIM**

I claim the ornamental design for a finger ring, as shown and described.

DESCRIPTION

FIG. 1 is a perspective view of a first embodiment of a finger ring, showing my new design;
 FIG. 2 is a front elevational view thereof;
 FIG. 3 is a rear elevational view thereof;
 FIG. 4 is a right side elevational view thereof;
 FIG. 5 is a left side elevational view thereof;
 FIG. 6 is a top plan view thereof; and,
 FIG. 7 is a bottom plan view thereof.

1 Claim, 5 Drawing Sheets



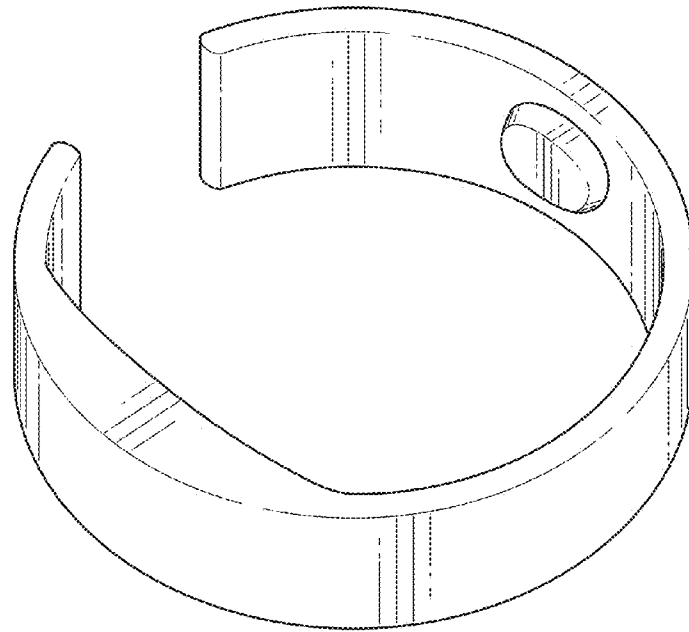


FIG. 1

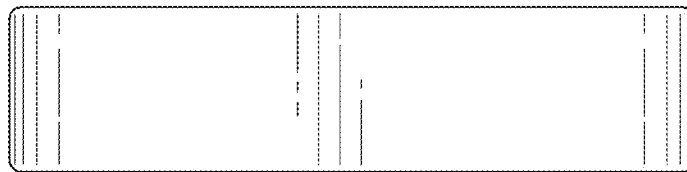


FIG. 2



FIG. 3

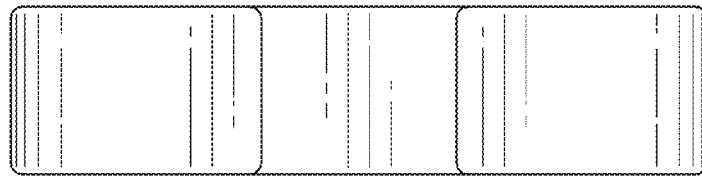


FIG. 4

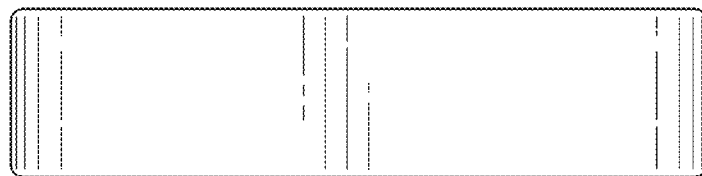


FIG. 5

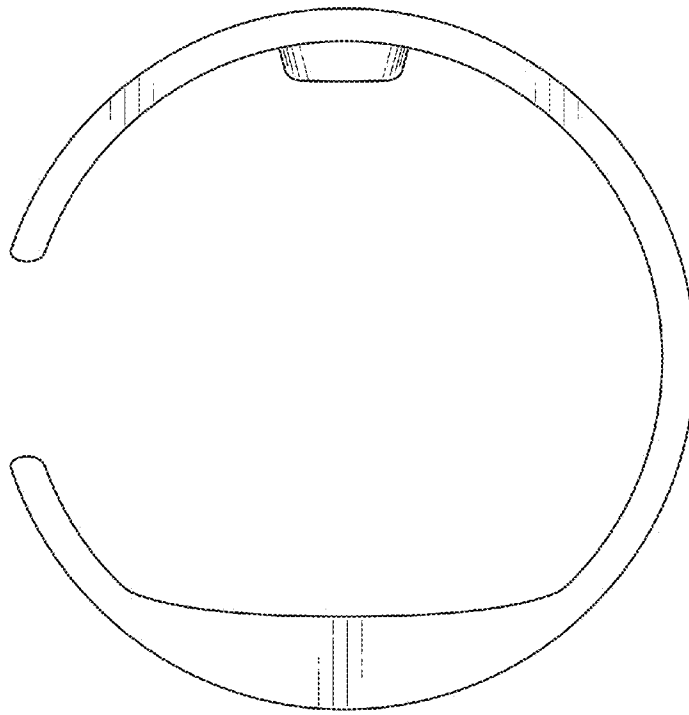


FIG. 6

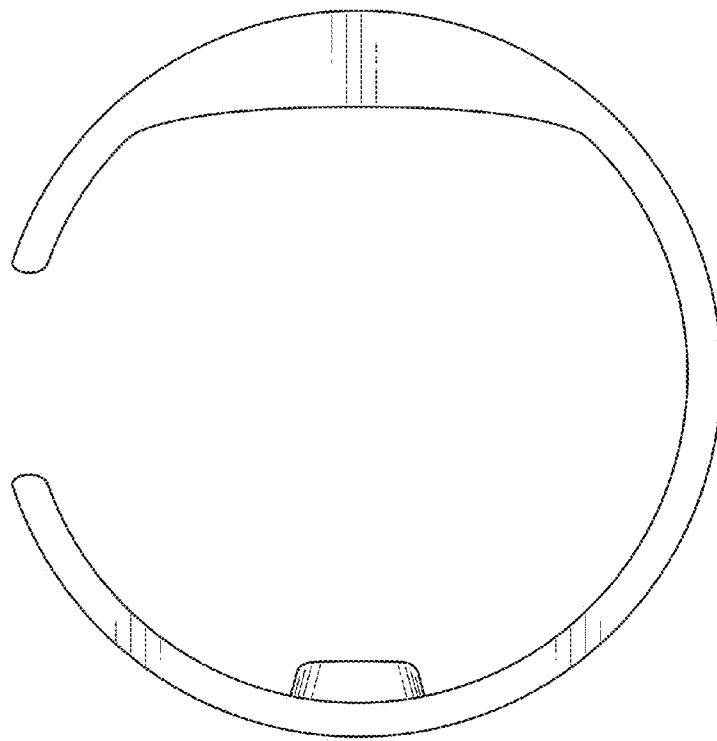


FIG. 7