



US00D838034S

(12) **United States Design Patent**  
**Ahrari et al.**

(10) **Patent No.:** **US D838,034 S**  
(45) **Date of Patent:** **\*\* Jan. 8, 2019**

- (54) **LUMINAIRE**
- (71) Applicant: **Hubbell Incorporated**, Shelton, CT (US)
- (72) Inventors: **Armin Ahrari**, Chino, CA (US);  
**Edward Duncan**, Chino, CA (US);  
**Kevin Lu**, Fountain Valley, CA (US);  
**Qianshan Li**, San Gabriel, CA (US);  
**Dean Dal Ponte**, Glendale, CA (US);  
**Syed Raza**, Rancho Palos Verdes, CA (US);  
**Benjamin Peirick**, Greenville, SC (US)

D398,415 S *	9/1998	Markee	.....	D26/118
D403,458 S *	12/1998	Walz	.....	D26/85
D448,106 S *	9/2001	Lin	.....	D26/87
D469,910 S *	2/2003	St-Pierre	.....	D26/85
D486,600 S *	2/2004	Coe	.....	D26/73
D540,978 S *	4/2007	Cormier	.....	D26/120
D565,233 S *	3/2008	Ladewig	.....	D26/118

(Continued)

- (73) Assignee: **Hubbell Incorporated**, Shelton, CT (US)

(\*\*) Term: **15 Years**

(21) Appl. No.: **29/624,800**

(22) Filed: **Nov. 3, 2017**

**Related U.S. Application Data**

- (63) Continuation-in-part of application No. 29/602,956, filed on May 5, 2017.

(51) **LOC (11) Cl.** ..... **26-99**

(52) **U.S. Cl.**  
USPC ..... **D26/118**

(58) **Field of Classification Search**  
USPC ..... D26/63, 65, 72, 85, 87, 89, 118, 120,  
D26/121; D23/366

CPC .... F21S 8/03; F21S 8/031; F21S 8/033; F21S  
8/035; F21S 8/036; F21S 8/037; F21V  
1/12; F21V 7/05

See application file for complete search history.

(56) **References Cited**

**U.S. PATENT DOCUMENTS**

D313,669 S *	1/1991	Sonnennan	.....	D26/109
D386,801 S *	11/1997	Orgovan	.....	D20/10

**OTHER PUBLICATIONS**

Invue Installation Instructions, Cooper Lighting, Peachtree City, GA (4 pages).

*Primary Examiner* — Brian N. Vinson

(74) *Attorney, Agent, or Firm* — Michael Best & Friedrich, LLP

(57) **CLAIM**

We claim the ornamental design for a luminaire, as shown and described.

**DESCRIPTION**

FIG. 1 is an upper perspective view of a luminaire showing the new design.

FIG. 2 is a front elevation view of the luminaire shown in FIG. 1.

FIG. 3 is a first side elevation view of the luminaire shown in FIG. 1.

FIG. 4 is a second side elevation view of the luminaire shown in FIG. 1.

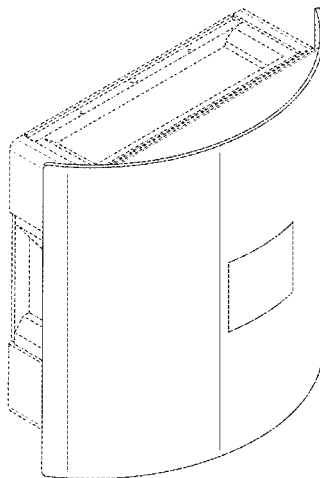
FIG. 5 is a top plan view of the luminaire shown in FIG. 1.

FIG. 6 is a bottom plan view of the luminaire shown in FIG. 1; and,

FIG. 7 is a lower perspective view of the luminaire shown in FIG. 1.

Rear views are not part of the claimed design. The elements shown in broken lines are included for the purpose of illustrating portions of the luminaire that form no part of the claimed design.

**1 Claim, 7 Drawing Sheets**



(56)

**References Cited**

## U.S. PATENT DOCUMENTS

D589,201	S	*	3/2009	Sabernig	.....	D26/118
D591,883	S	*	5/2009	Gill	.....	D26/63
D595,477	S	*	7/2009	Loret	.....	D1/121
D601,746	S	*	10/2009	Sabernig	.....	D26/120
D625,460	S	*	10/2010	Boissevain	.....	D26/118
D646,425	S	*	10/2011	Crosby	.....	D26/85
D697,656	S	*	1/2014	Sabernig	.....	D26/122
D711,040	S	*	8/2014	Huang	.....	D26/120
8,827,505	B1	*	9/2014	Senkyr	.....	F21S 8/036 362/351
D735,927	S	*	8/2015	Lee	.....	D26/120
D735,928	S	*	8/2015	Hawkins	.....	D26/120
D748,238	S	*	1/2016	Mecker	.....	D23/366
D757,347	S	*	5/2016	Chen	.....	D26/120
D781,481	S	*	3/2017	Chen	.....	D26/65
D783,880	S	*	4/2017	McVey	.....	D26/85
D784,589	S	*	4/2017	Chen	.....	D26/65
D796,723	S	*	9/2017	Sonneman	.....	D26/120
D796,724	S	*	9/2017	Sonneman	.....	D26/85
D797,985	S	*	9/2017	Perkins	.....	D26/118

\* cited by examiner

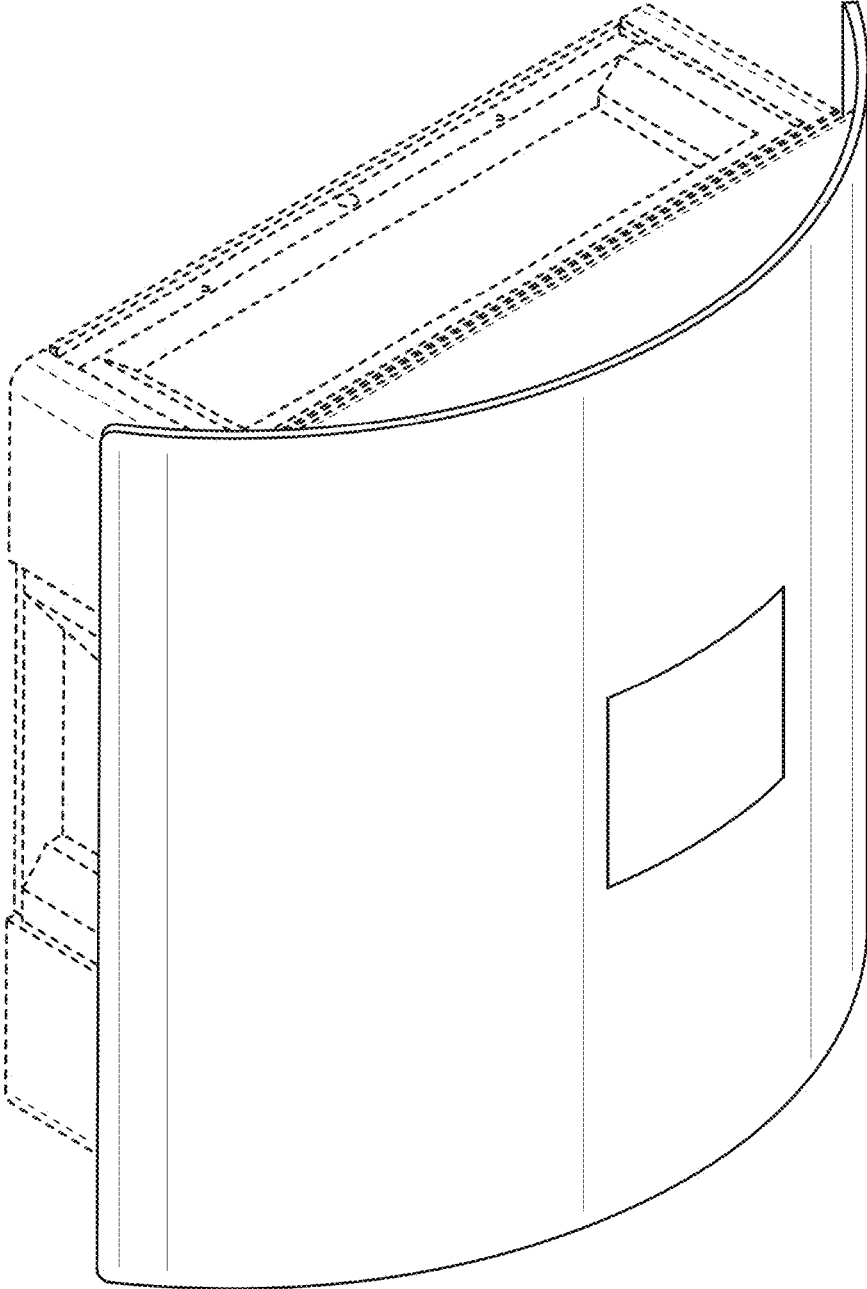


FIG. 1

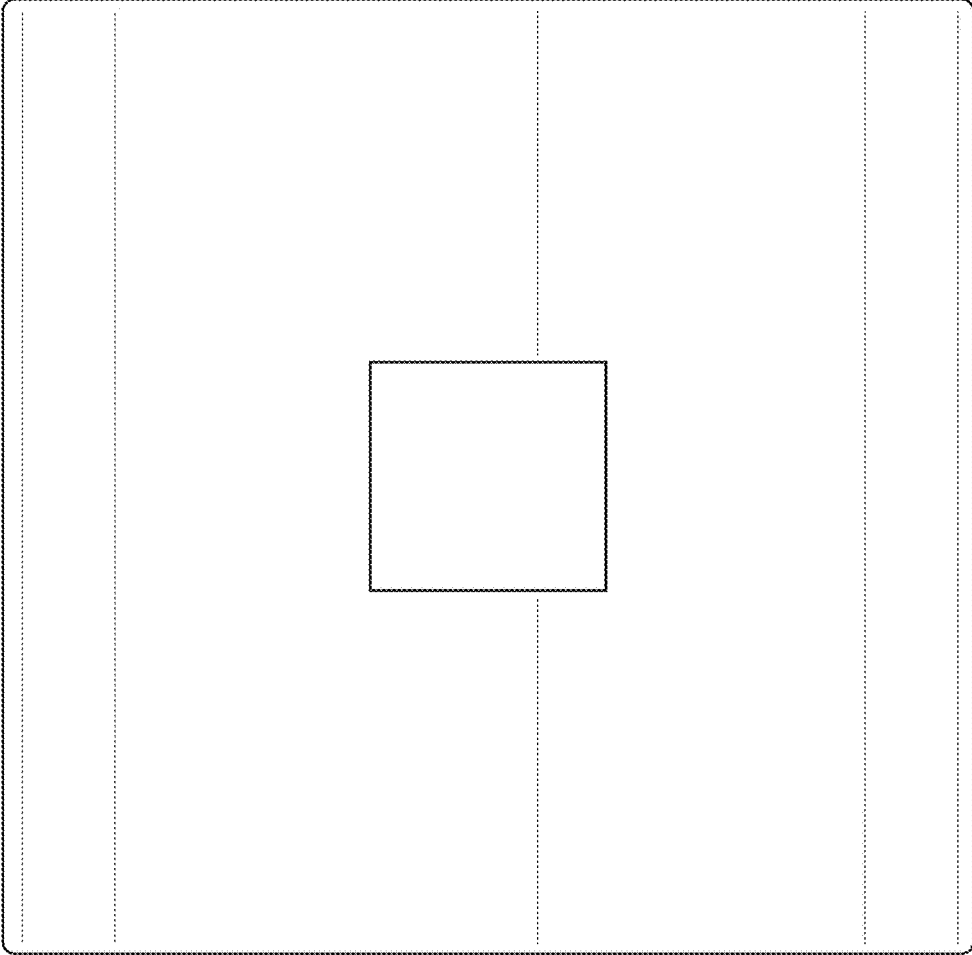


FIG. 2

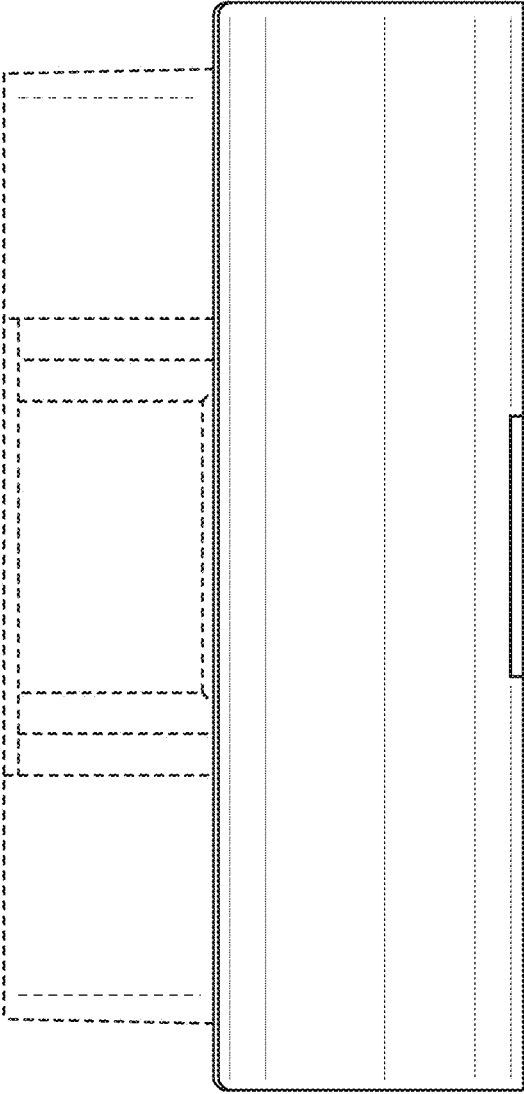


FIG. 3

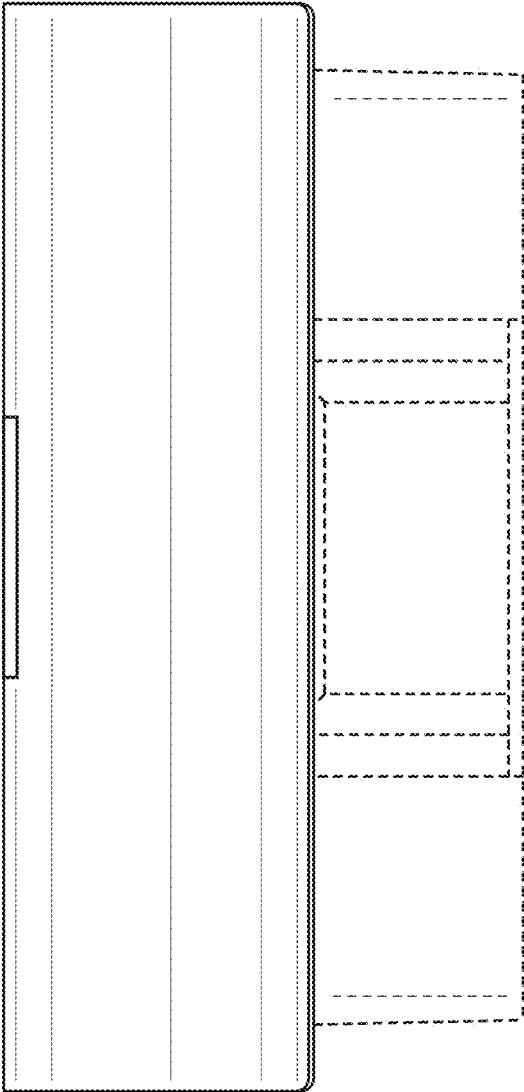


FIG. 4

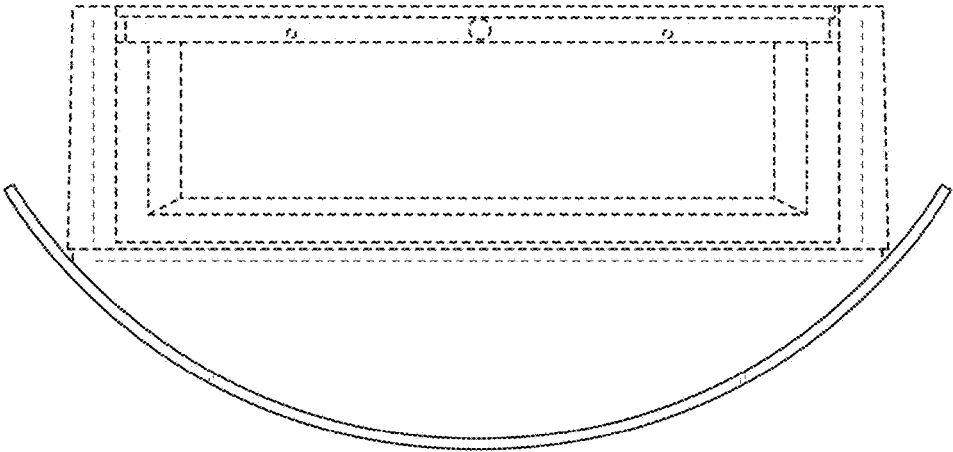


FIG. 5

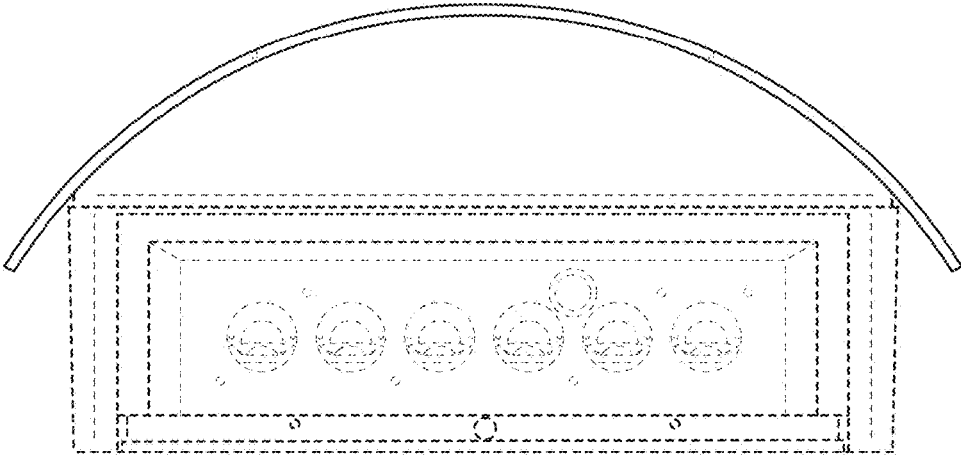


FIG. 6



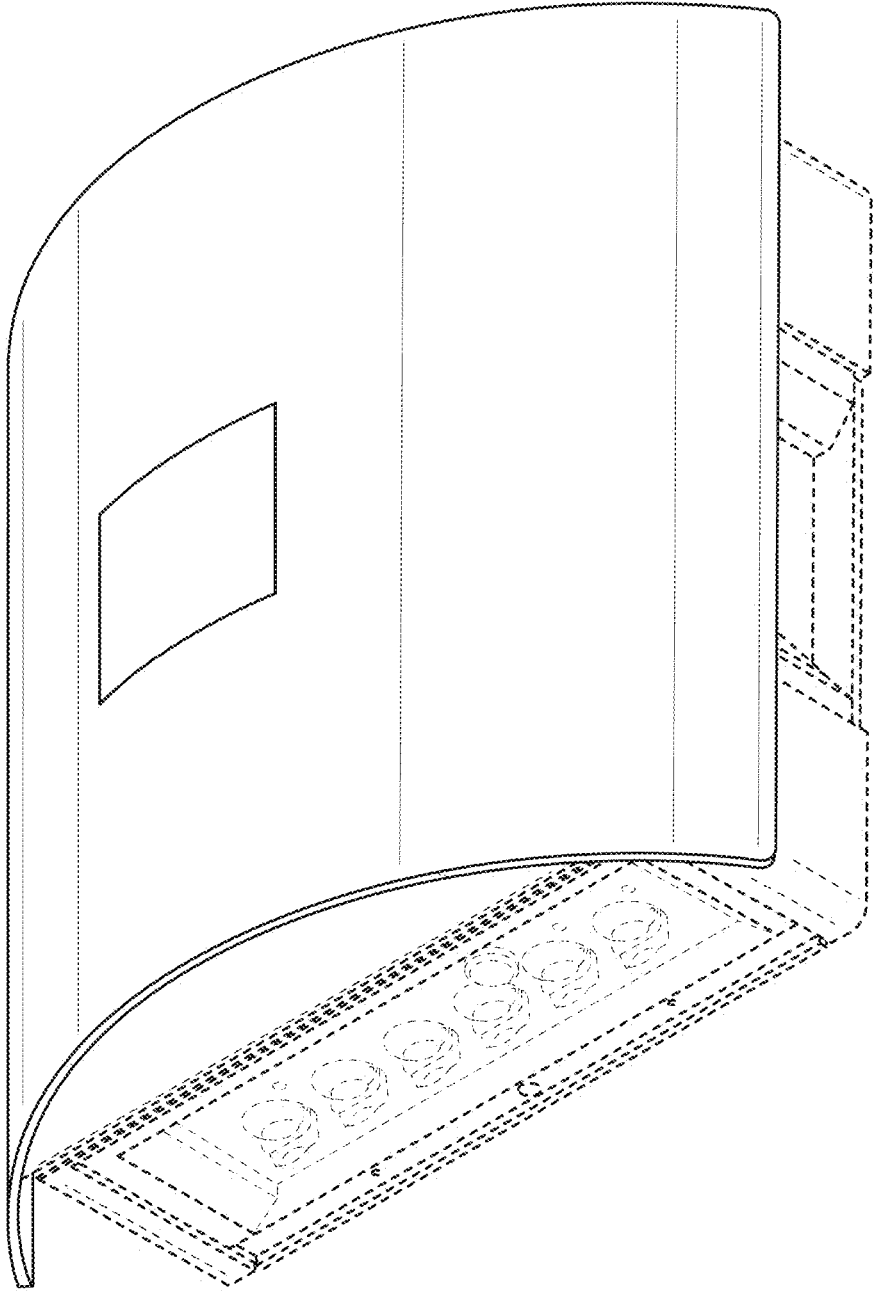


FIG. 7