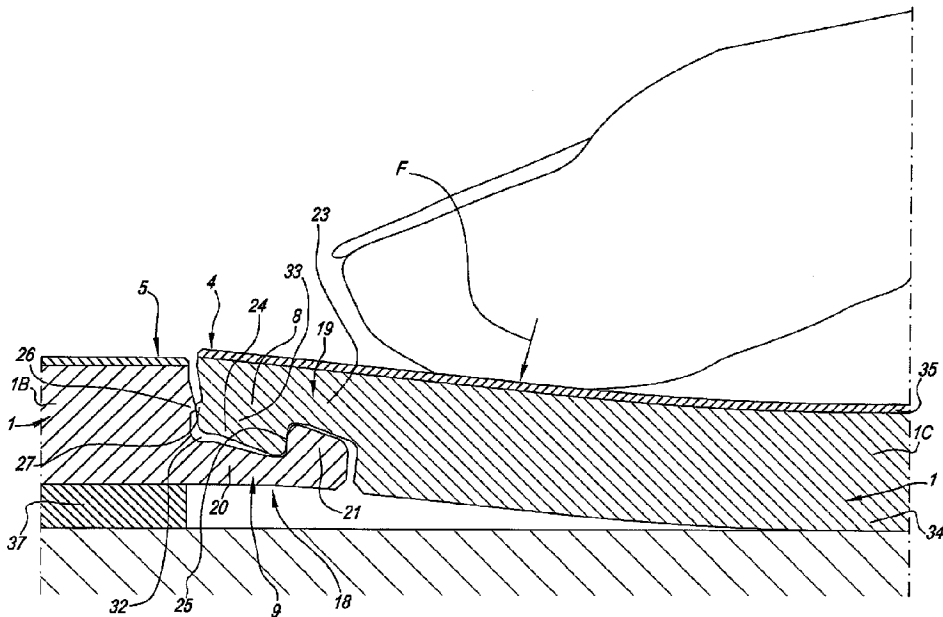




(22) Date de dépôt/Filing Date: 2010/12/09
(41) Mise à la disp. pub./Open to Public Insp.: 2011/06/30
(45) Date de délivrance/Issue Date: 2022/03/22
(62) Demande originale/Original Application: 2 784 227
(30) Priorités/Priorities: 2009/12/22 (EP09 015 855.1);
2010/05/11 (US61/333.510)

(51) Cl.Int./Int.Cl. *E04F 15/10* (2006.01),
E04C 2/40 (2006.01)
(72) Inventeur/Inventor:
CAPPELLE, MARK, BE
(73) Propriétaire/Owner:
FLOORING INDUSTRIES LIMITED, SARL, LU
(74) Agent: ROBIC

(54) Titre : PANNEAU, REVETEMENT ET METHODE POUR INSTALLER DE TELS PANNEAUX
(54) Title : PANEL, COVERING AND METHOD FOR INSTALLING SUCH PANELS.



(57) **Abrégé/Abstract:**

There is provided a panel for forming a covering, more particularly a floor panel for forming a floor covering, which, at least at two opposite edges (4-5), comprises coupling parts (8-9) of the type allowing to couple two of such panels (1) to each other by means of a downward movement of one panel in respect to the other; wherein these coupling parts (8-9) form a first locking system, which effects a locking in the plane of the panels (1) and perpendicularly to said edges, as well as form a second locking system, which effects a locking perpendicularly to the plane of the panels (1); characterized in that at least one of said coupling parts (8-9) is realized at least partially in soft PVC (polyvinyl chloride), as well as at least partially in the form of a milled profiled part of this soft PVC.

Abstract

There is provided a panel for forming a covering, more particularly a floor panel for forming a floor covering, which, at least at two opposite edges (4-5), comprises coupling parts (8-9) of the type allowing to couple two of such panels (1) to each other by means of a downward movement of one panel in respect to the other; wherein these coupling parts (8-9) form a first locking system, which effects a locking in the plane of the panels (1) and perpendicularly to said edges, as well as form a second locking system, which effects a locking perpendicularly to the plane of the panels (1); characterized in that at least one of said coupling parts (8-9) is realized at least partially in soft PVC (polyvinyl chloride), as well as at least partially in the form of a milled profiled part of this soft PVC.

Panel, covering and method for installing such panels.

5 This invention relates to a panel, a covering formed of such panels, and a method for installing such panels.

10 Primarily, the invention relates to floor panels, more particularly decorative floor panels for forming a floor covering, however, it is not excluded to apply the invention with other forms of coverings, for example, as wall panels, ceiling panels and the like.

15 The invention relates in particular to panels consisting of supple synthetic material, more particularly panels consisting of soft PVC (polyvinyl chloride), also called vinyl tiles or vinyl strips. Often, also the abbreviation LVT is used for such tiles, which stands for Luxurious Vinyl Tile. Herein, this then relates particularly to vinyl tiles with a full core, said core whether or not being composed of layers and substantially consisting of a material on the basis of PVC, amongst which recycled or un-recycled PVC.

20 Panels of synthetic material are known, amongst others, from US 2002/0189183. Herein, reference is also made to the American patent application No. 09/152,684, which is granted under the No. US 6.306.318, and wherein for the material, the use of PVC is stated. The panels represented in the document US 2002/0189183 are formed in a mold. This technique shows the disadvantage that it is expensive and
25 that the production rate is low. Further, the panels obtained in this manner are subjected to tolerance deviations as a result of the fact that expansions may occur when removing the panels from the mold, as a consequence of which the coupling means possibly formed at the edges, when installing the panels, either are difficult to fit into each other, or are sitting too loosely in each other.

30 A first aim of the invention consists in offering solutions for coupling such panels of PVC, or of another supple synthetic material, to each other in an adequate manner, such by means of appropriate coupling parts.

35 Moreover, the invention in general also relates to a panel, in particular a floor panel, which, at least at two opposite edges, comprises coupling parts of the type allowing

to couple two of such panels to each other by means of a downward movement of one panel in respect to the other, wherein these coupling parts form a first locking system, which effects a locking in the plane of the panels and perpendicularly to said edges, as well as form a second locking system, which effects a locking perpendicularly to the plane of the panels. A second aim of the invention consists in further optimizing panels of this type, such that the coupling parts offer new possibilities and, amongst others, also can be applied with panels of a supple material, more particularly said panels of soft PVC.

Thus, according to a first broad aspect, the invention relates to a panel for forming a covering, the panel comprising at least two opposite edges, and coupling parts at said at least two opposite edges, the coupling parts being of the type allowing to couple two of such panels to each other by means of a downward movement of one panel with respect to the other; wherein said coupling parts form a first locking system, which effects a locking in a plane of the panels and perpendicularly to said opposite edges, as well as form a second locking system, which effects a locking perpendicularly to the plane of the panels; and wherein at least one of said coupling parts is realized at least partially in soft PVC (polyvinyl chloride), as well as at least partially in the form of a milled profiled part of said soft PVC.

By milling the coupling parts at least partially from soft PVC, very precise tolerances can be maintained. In combination with the use of PVC then very controllable elastic properties may be imparted to the coupling parts, whereby on the whole good properties are obtained, in respect to a smooth coupling as well as in respect to the strength of the coupling which can be realized by means of such coupling parts.

According to a deviating embodiment, the profiled parts, instead of by means of one or more milling treatments, can also be realized by one or more other mechanical cutting treatments.

In a preferred embodiment, the panel is realized as a supple PVC panel, thus, at least with a substrate on the basis of PVC, and said coupling parts are integrally made of this substrate, preferably entirely by means of a mechanical cutting treatment, more particularly by means of a milling process.

According to a second independent aspect, the invention relates to a panel for forming a covering, more particularly a floor panel for forming a floor covering, which,

at least at two opposite edges, comprises coupling parts of the type allowing to couple two of such panels to each other by means of a downward movement of one panel in respect to the other; wherein these coupling parts form a first locking system, which effects a locking in the plane of the panels and perpendicularly to said edges, as well as form a second locking system, which effects a locking perpendicularly to the plane of the panels; wherein the first locking system is formed at least of an upwardly directed lower hook-shaped portion which is situated at one of said two edges, as well as of a downwardly directed upper hook-shaped portion which is situated at the opposite edge; and wherein the lower hook-shaped portion consists of a lip with an upwardly directed locking element, whereas the upper hook-shaped portion consists of a lip with a downwardly directed locking element; with the characteristic that at least one of said hook-shaped portions is bendable in respect to the plane of the respective panel, such that the pertaining locking element can perform a movement, more particularly a tilting movement, which facilitates coupling the panels.

Panels according to this second independent aspect offer the advantage that they can be coupled smoothly at said edges, as the tilting movement provides for that the locking elements can engage more smoothly one behind the other, possibly without necessarily having to overcome a snap effect.

It is noted that, as will be explained further, the intended bending as such can take place in such hook-shaped portion itself, as well as at a distance therefrom, wherein the hook-shaped portion in the latter case then as a whole adopts a bent-out position.

According to a preferred characteristic of the second aspect, the panel is characterized in that the coupling means are configured such that the downwardly directed locking element is configured such that the downwardly directed locking element must be brought through an opening between the upwardly directed locking element and a locking part of the second locking system and that the downwardly directed locking element and said opening are configured such that the downwardly directed locking element fits more smoothly through said opening when at least one of said hook-shaped portions is bent, compared to the case when none of both hook-shaped portions is bent.

According to a third independent aspect, the invention relates to a panel for forming a covering, more particularly a floor panel for forming a floor covering; wherein this panel comprises a substrate of a material on the basis of soft PVC; wherein this panel is rectangular, either oblong or square, and thus comprises a first pair of opposite edges and a second pair of opposite edges; wherein both pairs of opposite edges comprise coupling parts allowing to mutually couple a plurality of such panels to each other; wherein these coupling parts at both pairs of edges form a first locking system which effects a locking in the plane of the panels and perpendicular to the respective edges, as well as form a second locking system which effects a locking perpendicular to the plane of the panels; and wherein these coupling parts substantially are realized from said substrate; with the characteristic that the coupling parts at the first pair of opposite edges are configured such that two of such panels can be coupled to each other at these edges by means of a turning movement; and that the coupling parts at the second pair of opposite edges are configured such that two of such floor panels can be coupled to each other by means of a downward movement of one panel in respect to the other, more particularly by means of the downward movement obtained as a result of the turning movement at the first pair of edges.

According to a preferred embodiment, this floor panel further is characterized in that the second locking system at the second pair of edges consists of locking parts engaging behind each other, which can be brought one behind the other by their elasticity and/or movability.

Panels according to the third aspect of the invention offer the advantage that, by also integrating the coupling parts at the second pair of sides into the substrate, ideal properties are obtained for realizing a coupling which allows a locking by means of a downward movement.

According to a fourth broad aspect, the invention relates to a panel for forming a covering, the panel comprising at least two opposite edges, and coupling parts at said at least two opposite edges, the coupling parts being of the type allowing to couple two of such panels to each other by means of a downward movement of one panel with respect to the other; wherein said coupling parts form a first locking system, which effects a locking in a plane of the panels and perpendicularly to said at least two opposite edges, as well as form a second locking system, which effects

a locking perpendicularly to the plane of the panels; wherein the first locking system is formed at least of an upwardly directed lower hook-shaped portion which is situated at one of said at least two opposite edges, as well as of a downwardly directed upper hook-shaped portion which is situated at another one of said at least two opposite edges; wherein the lower hook-shaped portion consists of a lip with an upwardly directed locking element, whereas the downwardly directed upper hook-shaped portion consists of a lip with a downwardly directed locking element; and wherein the second locking system comprises locking parts which are situated next to a proximal end of the upwardly directed lower hook-shaped portion and a distal end of the downwardly directed upper hook-shaped portion, respectively; wherein the panel further comprises a substrate of a material on the basis of soft PVC, wherein the coupling parts are realized integrally from the substrate, wherein said substrate comprises at least two layers of soft PVC; wherein at least one of said locking parts of the second locking system is realized at least partially in said soft PVC; as well as at least partially in the form of a milled profiled part in said soft PVC; and wherein a reinforcement layer is incorporated in the substrate, said reinforcement layer being incorporated at a level located lower than the locking part that is situated next to the proximal end of the lower hook-shaped portion and between said at least two layers of soft PVC, wherein the panel comprises a top layer provided on the substrate, wherein the top layer comprises a printed PVC film and a transparent wear layer of vinyl.

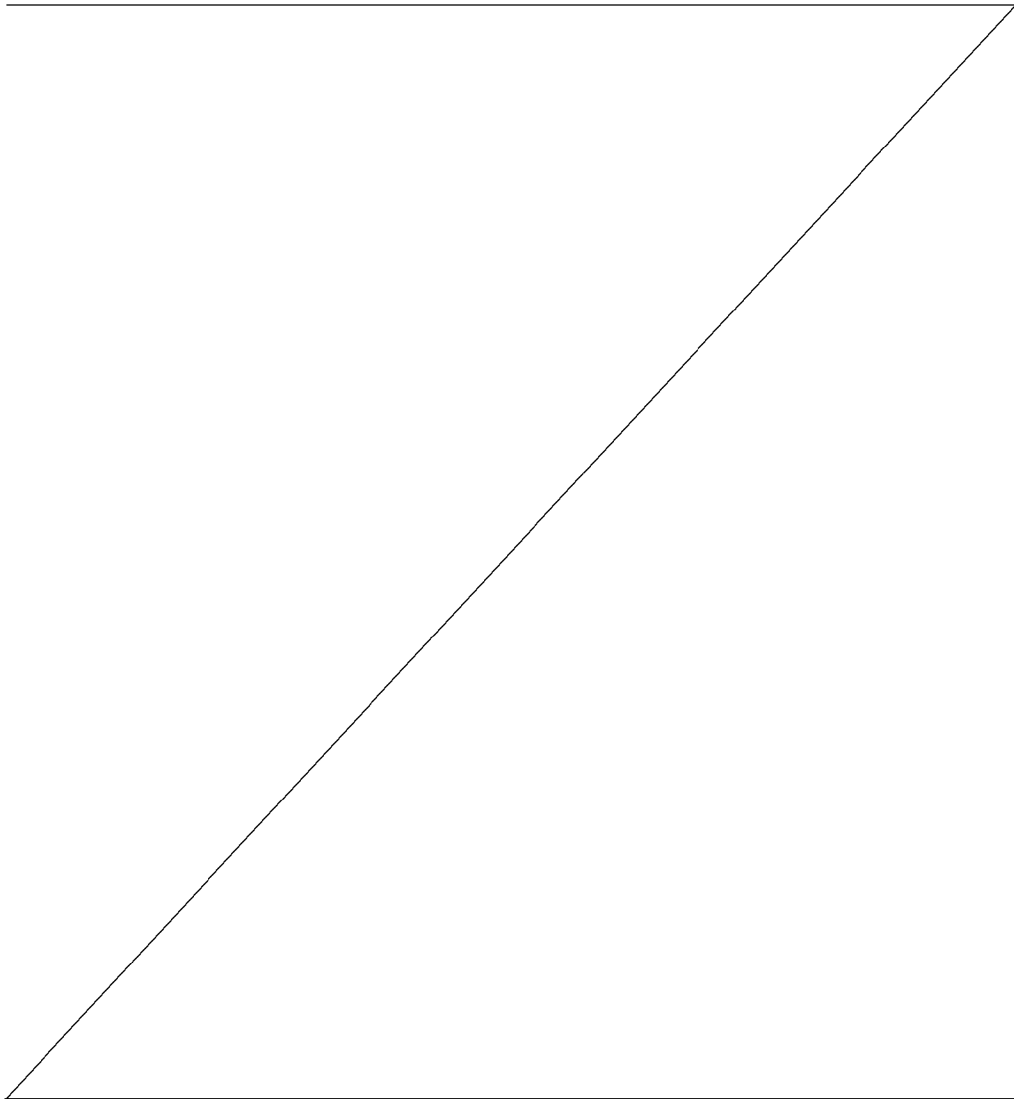
Herein, said locking parts preferably are made as a fixed and preferably compressible part.

More particularly, it is preferred herein that the panel substantially consists of a substrate on the basis of soft PVC and that said coupling parts are integrally realized in said substrate, wherein said locking parts are realized as fixed, possibly somewhat compressible parts.

By making use of soft PVC in a coupling system with coupling parts which can be joined together by a downward movement, it is obtained that the coupling parts can move smoothly along each other during coupling.

According to a fifth independent aspect, the invention relates to a panel for forming a covering, more particularly a floor panel for forming a floor covering; wherein this

panel is of the type which comprises a substrate of supple synthetic material; wherein this panel, at least at two opposite edges, comprises coupling parts of the type allowing to couple two of such panels to each other by means of a downward movement of one panel in respect to the other; wherein these coupling parts form a first locking system, which effects a locking in the plane of the panels and perpendicularly to said edges, as well as form a second locking system, which effects a locking perpendicularly to the plane of the panels; wherein the first locking system is formed at least of an upwardly directed lower hook-shaped portion which is situated at one of said two edges, as well as of a downwardly directed upper hook-shaped portion which is situated at the opposite edge; characterized in that in said substrate, a reinforcement layer is present, which extends in the plane of the panel;



that the lower hook-shaped portion consists of a lip with an upwardly directed locking element, whereas the upper hook-shaped portion consists of a lip with a downwardly directed locking element; and that at least one of said lips is configured such that, seen in cross-section, it is at least over a certain portion free from said reinforcement layer. Preferably, both lips are configured in this manner.

The term "reinforcement layer" is to be understood in a broad sense and also simply includes a layer which, for example, is applied as a basic carrier for building up the vinyl structure.

As one or both of the lips, over at least a portion thereof, are kept free from such reinforcement layer, the advantage is obtained that such reinforcement layer cannot affect the bendability in these portions in a disadvantageous manner.

It is noted that the invention also relates to all possible combinations of the aforementioned aspects, wherein two, three, four or all five of said aspects are combined with each other. Herein, all mathematically possible combinations of the five aspects can be taken into consideration.

According to preferred embodiments, the panels of the aforementioned one or more aspects also show one or more of the hereafter listed additional characteristics, inasmuch as these characteristics do not already form part of the basic characteristics of such aspect. These characteristics consist in:

- that at least said coupling parts, which are of the type allowing that two of such floor panels can be coupled to each other by means of a downward movement of one panel in respect to the other, are realized at least partially and preferably entirely of soft PVC;
- that it comprises a substrate of soft PVC and that at least said coupling parts, which are of the type allowing that two of such floor panels can be coupled to each other by means of a downward movement of one panel in respect to the other, are integrally realized from the substrate;
- that said coupling parts, which are of the type allowing that two of such floor panels can be coupled to each other by means of a downward movement of one panel in respect to the other, have a first locking system, which is formed at least of a downwardly directed first lower hook-shaped portion situated at one of the respective edges, as well as

a downwardly directed upper hook-shaped portion situated at the opposite edge;

- 5 - that this panel is rectangular, either oblong or square, and thus comprises a first pair of opposite edges and a second pair of opposite edges, wherein both pairs of opposite edges comprise coupling parts allowing to mutually couple a plurality of such panels to each other, wherein these coupling parts at both pairs of edges form a first locking system which effects a locking in the plane of the panels and perpendicular to the respective edges, as well as form a second locking system which effects a locking perpendicularly to the plane of the panels, and wherein the coupling parts at one of both pairs of edges thus are formed by said coupling parts which are of the type allowing that two of such floor panels can be coupled to each other by means of a downward movement of one panel in respect to the other;
- 10 - that the panel substantially consists of a substrate and that the coupling parts at both pairs of edges are realized substantially integrally from this substrate;
- that the substrate substantially consists of soft PVC, in which possibly a reinforcement layer is incorporated;
- 15 - that the substrate substantially consists of soft PVC, with the exception of possible top layers, backing layers and intermediate layers, which may consist of another material.

25 According to a particular aspect of the invention, the coupling parts and/or the substrate and/or the entire panel consist of a supple synthetic material other than PVC, preferably having an elasticity comparable to that of soft PVC. It is clear that similar advantages are obtained. Also, compositions of materials are possible, for example, soft PVC with other materials, such as fillers. The PVC may consist of newly-made material as well as recycled PVC. It is clear that this also applies to the
30 embodiments which are to follow.

The panels of the invention preferably are made in the form of rectangular oblong strips. The dimensions may vary greatly.

In respect to thickness of the embodiments aimed at herein above as well as herein below, this preferably varies between 3 and 10 mm, and still better between 4 and 7 mm.

- 5 At the decor side, they comprise a decorative layer, which may carry any image. In a practical embodiment, the image represents a wood motif. More particularly, on each panel the appearance of a wooden plank is represented.

10 Other additional characteristics will become clear from the detailed description and the claims. It is noted that all subsidiary characteristics can be combined at will with the main characteristics of the respective basic aspects.

15 According to a sixth independent aspect, the invention provides a method for installing panels, more particularly floor panels, wherein these panels are rectangular, either oblong or square, and thus comprise a first pair of opposite edges and a second pair of opposite edges; wherein both pairs of opposite edges comprise coupling parts, which form a first locking system which effects a locking in the plane of the panels and perpendicular to the respective edges, as well as form a second locking system which effects a locking perpendicular to the plane of the panels; 20 wherein the coupling parts at the first pairs of opposite edges are configured such that two of such floor panels can be coupled to each other at these edges by means of a turning movement; wherein the coupling parts at the second pair of opposite edges are configured such that two of such floor panels can be coupled to each other by means of a downward movement of one panel in respect to the other, more particularly by means of the downward movement which is obtained as a result of 25 the turning movement at the first pair of edges; wherein at the second pair of edges, the locking system is formed at least of an upwardly directed lower hook-shaped portion situated at one of said two edges, as well as of a downwardly directed upper hook-shaped portion which is situated at the opposite edge; and wherein the lower hook-shaped portion consists of a lip with an upwardly directed locking element, whereas the upper hook-shaped portion consists of a lip with a downwardly directed locking element; with the characteristic that at the second pair of edges coupling parts are applied of which at least one of the lips, in respect to the plane of the panel concerned, can be bent out of this plane, such that the pertaining locking element 30 can perform a movement, more particularly a tilting movement, which facilitates the coupling of the panels, and that the method provides at least the following steps:

- installing a first panel intended for forming part of a first row of panels;
- coupling a second panel to said first panel, such at said first pair of edges, wherein this second panel is intended for forming part of a second row successive to said first row of panels;
- 5 - coupling in the second row a third panel both to said second panel and to the first panel, wherein the third panel is coupled to the first panel by means of a turning movement, wherein the third panel, from an upwardly pivoted position, is brought into substantially the same plane as the first and second panels, whereas, as a result of this movement and the downward pressing-together movement created therein, the hook-shaped portions engage into
- 10 each other between the third and second panel;
- applying an underlay element therein;
- and, during pressing together, as a result of the use of the underlay element, deforming, more particularly bending, at least one of said lips in such a
- 15 manner that coupling, as aforementioned, is facilitated.

According to a variant, not specifically one or more lips are bent, but one or more of the hook-shaped portions are bent as a whole or locally, wherein the bending thus does not necessarily have to take place in the lips themselves.

20

This installation technique allows a smooth installation, without necessitating tools. Further advantages, as well as preferred techniques, will become clear from the detailed description.

- 25 It is clear that the method of the sixth aspect shows its advantages in particular when it is applied for installing panels in the form of strips or tiles on the basis of soft PVC, which are provided with said coupling parts.

- 30 According to a deviating variant of the sixth aspect, the invention also relates to a method wherein the above-described, as well as below-described, technique in which an underlay element is applied and a bending is created, is applied for panels wherein at the first pair of edges the connection is performed in another manner than by means of a turning movement. The essence in fact consists in the particular technique of bending the coupling parts at one pair of edges, irrespective of the
- 35 manner in which the other pair of edges is coupled.

In a preferred embodiment, in the aforementioned method panels are applied which also fulfill one or more of the aforementioned first five aspects.

5 It is noted that "soft PVC" is a term which expresses that this relates to supple PVC, in other words, PVC which is bendable in a relatively smooth manner. The term soft PVC is generally known in the art. Such soft PVC consists of PVC which is softened, preferably by means of a plasticizer added during the production process. Depending on the amount of plasticizer added, of course different degrees of suppleness can be obtained.

10

By a plasticizer, any agent is to be understood, which, when added, results in a more supple PVC. Typical examples are phthalate plasticizers and isosorbide plasticizers.

15

By PCV which has been plasticized, of course, also PVC can be understood, or a composition on the basis of PVC, which as such has the feature that it is supple, for example, because it is modified.

20

Preferably, a suppleness will be applied which is such that, when a panel is gripped horizontally at one extremity, it indeed will bend downward under its own weight and possibly at a distance from the clamped portion indeed will hang downward completely, however, certainly will not limply hang downward directly after the clamped end, however, it will still be well bendable by a manual force.

25

Also, it is noted that a number of the independent basic aspects are not restricted to the use of PVC or another synthetic material. Thus, it is clear that these aspects may also be applied in panels of other materials.

30

Although the herein above-described coupling systems are particularly useful when applied in panels having a substrate on the basis of synthetic material, and in particular PVC panels, with soft PVC it was found that in particular under the influence of heat, for example, sun radiation on a floor, a considerable expansion can take place, with the result that with such soft PVC, there is a risk that the panels, at their edges, are pushed upward against each other, which can result in that couplings, which are of the type allowing a connection by means of a downward movement, simply are pushed out of each other. According to a seventh aspect, a solution for this is offered.

35

According to this seventh aspect, the invention relates to a panel for forming a covering, more particularly a floor panel for forming a floor covering; wherein this panel comprises a substrate of a material on the basis of soft PVC; wherein this panel is rectangular, either oblong or square, and thus comprises a first pair of opposite edges and a second pair of opposite edges, wherein both pairs of opposite edges comprise coupling parts allowing to couple a plurality of such panels to each other; wherein these coupling parts, at both pairs of edges, form a first locking system effecting a locking in the plane of the panels and perpendicular to the respective edges, as well as form a second locking system effecting a locking transverse to the plane of the panels; and wherein these coupling parts substantially are realized from said substrate; characterized in

that the coupling parts of the first pair of opposite edges, as well as of the second pair of opposite edges are configured such that two of such panels can be coupled to each other at these edges by means of a turning movement;

that to this aim, these coupling parts, at each of the aforementioned two pairs of edges, consist of a tongue and a groove, as well as locking parts, which, in the coupled condition, prevent the drifting apart of the tongue and groove;

and that at both pairs the groove each time is bordered by a lower lip and an upper lip, whereby the lower lip extends laterally up to beyond the distal end of the upper lip.

By the tongue and groove intended in the seventh aspect, a tongue and groove system is meant wherein the tongue and groove are so pronounced that they cannot be forced into each other by means of a manual downward movement and thus can be interconnected only in another manner, for example, by a turning movement and/or a shifting movement.

As, at both pairs of edges, coupling parts are provided, which can be brought into each other by means of a turning movement and which comprise a pronounced tongue and groove system, the panels can no longer be pushed out of each other in upward direction at their edges, by which permanent coupling remains guaranteed.

It is noted that up to now, the application of so-called angle connections at both pairs of edges of panels of soft PVC had been thought impossible, as such panels, during coupling, then have to be subjected at least to a number of manual shifting

operations in longitudinal direction along coupled edges, and as it was assumed that parts consisting of soft PVC, in this case, thus, tongue and groove, would not allow such manual shifting operations due to the large friction therebetween. Against all such assumptions, however, the inventor has found that it still is possible indeed.

5 Thus, by means of the seventh aspect, this prejudice is overcome.

According to a preferred embodiment of the seventh aspect of the invention, the panel is characterized in that the aforementioned locking parts at both pairs are provided with locking surfaces, which are situated at least partially in the portion of
10 the lower lip which is situated beyond the distal end of the upper lip. Thereby, the locking part of the tongue can be brought smoothly behind the locking part of the groove when being inserted by turning.

According to still another preferred embodiment of the seventh aspect of the invention, the panel is characterized in that at least at one pair of edges, the tongue and groove have a shape providing for that, in the coupled condition of two of such panels, a space is present underneath the tongue, said space extending continuously underneath the tongue as from the tip of the tongue, at least up to a location which is situated beyond the distal end of the upper lip. The use of such
15 space has the advantage that panels, during installation, can be moved smoothly along each other, as the risk of getting stuck and of friction during installation is reduced. Also, due to this space, the insertion of the tongue in the groove is avoided.
20

Preferably, said space extends underneath the tongue over a length, measured
25 parallel to the surface of the panel, which is at least 1.5 and still better at least 2 times the distance from the tip of the tongue up to the distal end of the upper lip. Hereby, the risk of the occurrence of undesired clamping effects among the panels during their installation is minimized even further.

30 According to the seventh aspect, it is further preferred that the panel is oblong and thus has a long and a short side, and that at least the edges of the short sides provide for such space. This is particularly useful when the panels are installed by means of a so-called "angle-angle-technique", as clamping effects will occur easily herein, which, particularly in the case of panels consisting of soft PVC, might lead to
35 situations which might render the installation considerably difficult.

According to a particular embodiment, the panel is characterized in that it is manually bendable in at least one direction in such a manner that it can be inserted, at the edges extending transverse to this direction, with a tongue over the lower lip of a preceding panel in the groove of this preceding panel, until the upper edges touch each other, and without bending the lower lip of the preceding panel, whereas the panel concerned, at the edge located opposite to the edge having said tongue, is bent down until it touches the underlying surface. The advantage thereof will become evident from the following description.

According to still another embodiment of the seventh aspect, the panel is characterized in that it is manually bendable in at least one direction in such a manner that it can be inserted, at the edges extending transverse to this direction, with a tongue over the lower lip of a preceding panel in the groove of this preceding panel, until the upper edges touch each other, and without bending the lower lip of the preceding panel, whereas the panel concerned, at the edge located opposite to the edge having said tongue, is bent down until it touches the underlying surface, and that the pair of edges extending transverse to said direction relates to the same pair of edges as the pair of edges which provides for the aforementioned space. This combination of characteristics is particularly useful for coupling the panels to each other by means of the "angle-angle-technique".

In a practical embodiment of the seventh aspect, both pairs of edges provide for such space in the coupled condition.

According to another embodiment, the panel of the seventh aspect is characterized in that the tongue and groove of at least one pair of edges are realized such that, when two of such panels are presented to each other at these edges in a plane-parallel manner, the tongue, at least with its tip, comes to sit at least partially underneath the lip bordering the upper side of the groove, without any bending being necessary already. The other pair of edges then in coupled condition preferably provides a space, as described herein above.

Even only the application of said space with panels consisting of a material on the basis of soft PVC already results in a coupling system which is advantageous in respect to the existing systems. In fact, it is clear that thereby less clamping effects will occur when coupling two such panels, and installation will become considerably

easier. Therefore, the invention, according to an eighth independent aspect, relates to a panel for forming a covering, more particularly a floor panel for forming a floor covering; wherein this panel comprises a substrate of a material on the basis of soft PVC; wherein this panel is rectangular, either oblong or square, and thus comprises
5 a first pair of opposite edges and a second pair of opposite edges; wherein both pairs of opposite edges comprise coupling parts allowing to couple a plurality of such panels to each other; wherein these coupling parts, at both pairs of edges, form a first locking system effecting a locking in the plane of the panels and perpendicular to the respective edges, as well as form a second locking system effecting a locking
10 transverse to the plane of the panels; and wherein these coupling parts substantially are realized from said substrate; characterized in

that to this aim, these coupling parts, at least at one of the aforementioned two pairs of edges, consist of a tongue and a groove, as well as locking parts, which, in the coupled condition, prevent the drifting apart of the tongue and groove;

15 that said groove each time is bordered by a lower lip and an upper lip, whereby the lower lip extends laterally up to beyond the distal end of the upper lip; and

that said tongue and groove have a shape which provides for that, in the coupled condition of two of such panels, a space is present underneath the tongue, said space extending from the tip of the tongue continuously underneath the tongue
20 at least up to a location situated beyond the distal end of the upper lip.

Preferably, the panel, according to the eighth aspect, further is characterized in that the tongue and groove, including the locking parts, are of the type allowing that two
25 such panels can be interconnected at the respective edges by means of a turning movement. According to still another preferred characteristic, said tongue and groove are realized such that, when two of such panels are presented to each other at these edges in a plan-parallel manner, the tongue, at least with its tip, comes to sit at least partially underneath the lip bordering the upper side of the groove, without
30 any bending being necessary already.

In the case of oblong panels, the aforementioned space preferably is provided at the short sides.

35 It is clear that the use of such space can also be useful with panels consisting of other synthetic materials. Consequently, the invention, according to the ninth

independent aspect, relates to a panel for forming a covering, more particularly a floor panel for forming a floor covering; wherein this panel comprises a substrate of a material on the basis of soft PVC; wherein this panel is rectangular, either oblong or square, and thus comprises a first pair of opposite edges and a second pair of opposite edges; wherein both pairs of opposite edges comprise coupling parts allowing to couple a plurality of such panels to each other; wherein these coupling parts, at both pairs of edges, form a first locking system effecting a locking in the plane of the panels and perpendicular to the respective edges, as well as form a second locking system effecting a locking transverse to the plane of the panels; and wherein these coupling parts substantially are realized from said substrate; characterized in

that the coupling parts of the first pair of opposite edges as well as of the second pair of opposite edges are configured such that two of such panels can be coupled to each other at these edges by means of a turning movement;

that these coupling parts, at least at one pair of edges, consist of a tongue and a groove, as well as locking parts, which, in the coupled condition, prevent the drifting apart of the tongue and groove;

that said groove is bordered by a lower lip and an upper lip, whereby the lower lip extends laterally up to beyond the distal end of the upper lip; and

that said tongue and groove have a shape which provides for that, in the coupled condition of two of such panels, a space is present underneath the tongue, said space extending from the tip of the tongue continuously underneath the tongue at least up to a location situated beyond the distal end of the upper lip.

Here, too, it is preferred that, when the panel is oblong, said pair of edges providing for the aforementioned space is situated at the short sides of the panel.

According to the tenth independent aspect, the invention relates to a panel for forming a covering, more particularly a floor panel for forming a floor covering; wherein this panel comprises a substrate of a material on the basis of soft PVC; wherein this panel is rectangular, either oblong or square, and thus comprises a first pair of opposite edges and a second pair of opposite edges; wherein both pairs of opposite edges comprise coupling parts allowing to couple a plurality of such panels to each other; wherein these coupling parts, at both pairs of edges, form a first locking system effecting a locking in the plane of the panels and perpendicular to the respective edges, as well as form a second locking system effecting a locking

transverse to the plane of the panels; and wherein these coupling parts substantially are realized from said substrate; characterized in

5 that the coupling parts of at least the first pair of opposite edges are configured such that two of such panels can be coupled to each other at these edges by means of a turning movement;

that these coupling parts at the first pair of edges consist of a tongue and a groove, as well as locking parts, which, in the coupled condition, prevent the drifting apart of the tongue and groove;

10 that said groove is bordered by a lower lip and an upper lip, whereby the lower lip extends laterally up to beyond the distal end of the upper lip; and

that said tongue and groove have a shape which provides for that, in the coupled condition of two of such panels, a space is present underneath the tongue, said space extending from the tip of the tongue continuously underneath the tongue at least up to a location situated beyond the distal end of the upper lip; and

15 that the tongue is in connection with the remainder of the panel via a narrowed portion;

that the smallest thickness of the portion of the lower lip situated beyond the distal end of the upper lip, is smaller than the smallest thickness of said narrowed portion; and

20 that the tongue in downward direction is supported on the groove by the locking surfaces and/or by a support point located proximally in respect to the locking surfaces.

According to an eleventh independent aspect, the invention relates to a panel for
25 forming a covering, more particularly a floor panel for forming a floor covering; wherein this panel is rectangular, either oblong or square, and thus comprises a long side and a short side; wherein this panel, at least at the short side, is provided with coupling parts allowing to couple two of such panels to each other; wherein these coupling parts form a first locking system effecting a locking in the plane of the
30 panels and perpendicular to the respective edges, as well as form a second locking system effecting a locking transverse to the plane of the panels; wherein said coupling parts comprise a tongue and a groove, as well as locking parts, which, in the coupled condition, prevent the drifting apart of the tongue and groove; and wherein the aforementioned groove is bordered by a lower lip and an upper lip,
35 whereby the lower lip extends laterally up to beyond the distal end of the upper lip; characterized in that the panel according to a direction perpendicularly to the short

sides is manually bendable in such a manner that it can be inserted, at the edges extending transverse to this direction, with a tongue over the lower lip of a preceding panel in the groove of this preceding panel, until the upper edges touch each other, and without bending the lower lip of the preceding panel, whereas the panel
5 concerned, at the edge located opposite to the edge having said tongue, is bent down until it touches the underlying surface. Such panel offers the advantage that it can be brought smoothly with the tongue in the groove of the preceding panel at one end, whereas, on the other hand, the bent-down end allows a better alignment and positioning. It is clear that this eleventh aspect thus also is particularly useful with
10 panels having a substrate on the basis of soft PVC.

According to a twelfth independent aspect, the invention relates to a panel for forming a covering, more particularly a floor panel for forming a floor covering; wherein this panel comprises a substrate of a material on the basis of soft PVC;
15 wherein this panel is rectangular, either oblong or square, and thus comprises a first pair of opposite edges and a second pair of opposite edges; characterized in that at least one pair of opposite edges comprises coupling parts allowing to couple two of such panels to each other; wherein these coupling parts form a first locking system effecting a locking in the plane of the panels and perpendicularly to the edges
20 concerned, as well as form a second locking system effecting a locking transverse to the plane of the panels; that these coupling parts substantially are realized from said substrate; that these coupling parts consist of a tongue and a groove, as well as locking parts, which, in the coupled condition, prevent the drifting apart of the tongue and groove; that the groove is bordered by a lower lip and an upper lip,
25 wherein the lower lip extends laterally up to beyond the distal end of the upper lip; and that the coupling parts are configured such that two of such panels can be coupled to each other at these edges by means of a turning movement, as well as can be coupled to each other by means of a shifting and snap movement. Herein, the advantage is obtained that the installing person can realize a connection by
30 turning as well as by snapping together, at choice.

According to a thirteenth independent aspect, the invention relates to a method for installing panels, wherein it relates to panels according to any of the aforementioned seventh to twelfth aspects, and wherein these panels substantially are formed of a
35 synthetic material substrate, more particularly of soft PVC, characterized in that the panels are interconnected by means of an angle-angle-technique, wherein a newly to install panel is coupled to a preceding panel in a same row by means of a turning

movement, such panel, in coupled condition, is subjected to a shifting movement in order to bring it against a panel in a preceding row, and this panel then is coupled to panels in a preceding row by turning it down together with the preceding panel from the same row; and that in said shifting movement, the contact between the coupling parts applied therein, which comprise and a groove, as well as locking parts, is kept small by applying a space underneath the tongue, said space extending continuously underneath the tongue as from the tip of the tongue, at least up to a location situated beyond the distal end of the upper lip. As explained further, the panels, thanks to the application of said space, can be installed in a smooth manner, although soft PVC shows the feature that two parts thereof are difficult to shift along each other.

In another embodiment, there is provided a floor panel, for forming a floor covering, said floor panel being of the type comprising a substrate of a material on the basis of soft PVC; wherein the panel is rectangular, either oblong or square, and thus comprises a first pair of opposite edges and a second pair of opposite edges; wherein both pairs of opposite edges comprise coupling parts allowing to mutually couple a plurality of the panels to each other; wherein the coupling parts at both pairs of edges form a first locking system which effects a locking in the plane of the panels and perpendicular to the respective edges, as well as form a second locking system which effects a locking perpendicular to the plane of the panels; wherein the coupling parts at the first pair of opposite edges are configured such that two of the panels can be coupled to each other at the edges by means of a turning movement wherein the coupling parts at the second pair of edges are formed by coupling parts which are of the type allowing to couple two of the panels to each other by means of a downward movement of one panel in respect to the other; wherein the coupling parts at both pairs of edges substantially are realized from said substrate and thus from said material on the basis of soft PVC; wherein the first locking system of the coupling parts at the second pair of edges is formed at least of an upwardly directed lower hook-shaped portion which is situated at one of the edges of the second pair of edges, as well as of a downwardly directed upper hook-shaped portion which is situated at the opposite edge, said hook-shaped portions extending laterally from a core portion of the panel; wherein the lower hook-shaped portion consists of a lip with an upwardly directed locking element, wherein the upper hook-shaped portion consists of a lip with a downwardly directed locking element; wherein the lip of the upper hook-shaped portion comprises a part which connects said core portion of the

panel with the downwardly directed locking element, said part, seen in a cross section perpendicular to the respective edge, defining a length; and wherein said part, seen in said cross-section perpendicular to the respective edge, has a thickness that decreases towards the downwardly directed locking element for at least part of said length.

In another embodiment, there is provided a floor panel for forming a floor covering, a floor covering, comprising at least two opposite edges comprises coupling parts which allow coupling of two of the panels to each other by means of a downward movement of one panel in respect to the other; wherein said coupling parts are realized at least partially in soft PVC; wherein the coupling parts form a first locking system, which effects a locking in the plane of the panels and perpendicularly to said edges, as well as form a second locking system, which effects a locking perpendicularly to the plane of the panels; wherein the first locking system is formed at least of an upwardly directed lower hook-shaped portion which is situated at one of said two edges, as well as of a downwardly directed upper hook-shaped portion which is situated at the opposite edge, said hook-shaped portions extending laterally from a core portion of the panel; wherein the lower hook-shaped portion consists of a lip with an upwardly directed locking element, wherein the upper hook-shaped portion consists of a lip with a downwardly directed locking element; wherein the lip of the upper hook-shaped portion comprises a part which connects said core portion of the panel with the downwardly directed locking element, said part, seen in a cross section perpendicular to the respective edge, defining a length; and wherein said part, seen in said cross-section perpendicular to the respective edge, has a thickness that decreases towards the downwardly directed locking element for at least part of said length.

In another embodiment, there is provided a floor panel, for forming a floor covering, said floor panel comprising a substrate of a material on the basis of soft PVC; wherein the panel is rectangular, either oblong or square, and thus comprises a first pair of opposite edges and a second pair of opposite edges; wherein both pairs of opposite edges comprise coupling parts allowing to mutually couple a plurality of the panels to each other; wherein the coupling parts at both pairs of edges form a first locking system which effects a locking in the plane of the panels and perpendicular to the respective edges, as well as form a second locking system which effects a locking perpendicular to the plane of the panels; wherein the coupling parts at the first pair of opposite edges are configured such that two of the panels can be coupled

to each other at the edges by means of a turning movement wherein the coupling parts at the second pair of edges are formed by coupling parts which are of the type allowing to couple two of the panels to each other by means of a downward movement of one panel in respect to the other; wherein the coupling parts at both

5 pairs of edges substantially are realized from said substrate and thus from said material on the basis of soft PVC; wherein the first locking system of the coupling parts at the second pair of edges is formed at least of an upwardly directed lower hook-shaped portion which is situated at one of the edges of the second pair of edges, as well as of a downwardly directed upper hook-shaped portion which is

10 situated at the opposite edge, said hook-shaped portions extending laterally from a core portion of the panel; wherein the lower hook-shaped portion consists of a lip with an upwardly directed locking element, wherein the upper hook-shaped portion consists of a lip with a downwardly directed locking element; wherein the lip of the lower hook-shaped portion comprises a part which connects said core portion of the

15 panel with the upwardly directed locking element; and wherein said part, seen in a cross-section perpendicular to the respective edge, has a thickness that decreases towards the upwardly directed locking element over the majority of the length of the part.

20 In another embodiment, there is provided a floor panel for forming a floor covering, comprising at least at two opposite edges having coupling parts arranged to couple two of the panels to each other by means of a downward movement of one panel in respect to the other; wherein at least said coupling parts, which are of the type allowing to couple two of such panels to each other by means of a downward

25 movement of one panel in respect to the other, are realized at least partially in soft PVC; wherein the coupling parts form a first locking system, which effects a locking in a plane of the panels and perpendicularly to said edges, as well as form a second locking system, which effects a locking perpendicularly to the plane of the panels; wherein the first locking system is formed at least of an upwardly directed lower

30 hook-shaped portion which is situated at one of said two edges, said upwardly directed hook-shaped portion extending laterally from a core portion of the panel, as well as of a downwardly directed upper hook-shaped portion which is situated at the opposite edge; wherein the lower hook-shaped portion consists of a lip with an upwardly directed locking element, wherein the upper hook-shaped portion consists

35 of a lip with a downwardly directed locking element; wherein the lip of the lower hook-shaped portion comprises a part which connects said core portion of the panel with

the upwardly directed locking element; and wherein said part, seen in a cross-section perpendicular to the edges, has a thickness that decreases towards the upwardly directed locking element.

- 5 In another embodiment, there is provided a floor panel for forming a floor covering and having at least two opposite edges, wherein at least at the two opposite edges, the floor panel comprises: coupling parts arranged allowing to couple two of such panels to each other by means of a downward movement of one panel in respect to the other; wherein the coupling parts form a first locking system, which effects a locking in the plane of the panels and perpendicularly to said edges, as well as form a second locking system, which effects a locking perpendicularly to the plane of the panels; wherein the first locking system is formed at least of an upwardly directed lower hook-shaped portion situated at one of said two edges, as well as of a downwardly directed upper hook-shaped portion situated at the opposite edge; wherein the lower hook-shaped portion has a lip with an upwardly directed locking element, whereas the upper hook-shaped portion has a lip with a downwardly directed locking element; wherein the second locking system comprises locking parts which are situated next to the proximal end of the lower hook-shaped portion and the distal end of the upper hook-shaped portion, respectively; wherein the floor panel further comprises a substrate of a material on the basis of soft PVC, wherein the coupling parts are realized substantially integrally from the substrate; wherein said substrate comprises at least two layers of soft PVC; and wherein at least one of said locking parts of the second locking system is realized at least partially in said soft PVC (polyvinyl chloride), as well as at least partially in the form of a milled profiled part of said soft PVC; and wherein a reinforcement layer is incorporated in the substrate, said reinforcement layer being incorporated at a level located lower than the locking part that is situated next to the proximal end of the lower hook shaped portion and between said two layers of soft PVC.
- 10
- 15
- 20
- 25
- 30 In another embodiment, there is provided a panel for forming a floor covering, the panel comprising: a substrate of a material on the basis of soft PVC (polyvinyl chloride); wherein the panel is rectangular, either oblong or square, and comprises a first pair of opposite edges and a second pair of opposite edges; wherein both pairs of opposite edges comprise coupling parts allowing to couple a plurality of such panels to each other; wherein said coupling parts, at both pairs of edges, form a first locking system effecting a locking in the plane of the panels and perpendicular to
- 35

the respective edges, as well as form a second locking system effecting a locking transverse to the plane of the panels; wherein said coupling parts substantially are realized from said substrate in soft PVC; wherein the coupling parts, at the two pairs of edges, have a tongue and a groove, as well as locking parts, which, in the coupled condition, prevent the drifting apart of the tongue and the groove; wherein said groove is bordered by a lower lip and an upper lip, the lower lip extending laterally up to beyond the distal end of the upper lip; and wherein said substrate comprises at least two layers of PVC; wherein a reinforcement layer is incorporated in the substrate, said reinforcement layer being incorporated at a level which is located lower than the upper lip of the respective edges and between said two layers of PVC.

In another embodiment, there is provided a floor panel for forming a floor covering and having at least two opposite edges, wherein at least at the two opposite edges, the floor panel comprises: coupling parts arranged allowing to couple two of such panels to each other by means of a downward movement of one panel in respect to the other; wherein the coupling parts form a first locking system, which effects a locking in the plane of the panels and perpendicularly to said edges, as well as form a second locking system, which effects a locking perpendicularly to the plane of the panels; wherein the first locking system is formed at least of an upwardly directed lower hook-shaped portion situated at one of said two edges, as well as of a downwardly directed upper hook-shaped portion situated at the opposite edge; wherein the lower hook-shaped portion has a lip with an upwardly directed locking element, whereas the upper hook-shaped portion has a lip with a downwardly directed locking element; wherein the second locking system comprises locking parts which are situated next to the proximal end of the lower hook-shaped portion and the distal end of the upper hook-shaped portion, respectively; wherein the floor panel further comprises a substrate of a material on the basis of soft PVC, wherein the coupling parts are realized substantially integrally from the substrate; wherein said substrate comprises at least two layers of soft PVC; and wherein at least one of said locking parts of the second locking system is realized at least partially in said soft PVC (polyvinyl chloride), as well as at least partially in the form of a milled profiled part of said soft PVC; and wherein a reinforcement layer is incorporated in the substrate, said reinforcement layer being incorporated at a level located lower than the locking part that is situated next to the proximal end of the lower hook shaped portion and between said two layers of soft PVC.

In another embodiment, there is provided a panel for forming a floor covering, the panel comprising: a substrate of a material on the basis of soft PVC (polyvinyl chloride); wherein the panel is rectangular, either oblong or square, and comprises
5 a first pair of opposite edges and a second pair of opposite edges; wherein both pairs of opposite edges comprise coupling parts allowing to couple a plurality of such panels to each other; wherein said coupling parts, at both pairs of edges, form a first locking system effecting a locking in the plane of the panels and perpendicular to the respective edges, as well as form a second locking system effecting a locking
10 transverse to the plane of the panels; wherein said coupling parts substantially are realized from said substrate in soft PVC; wherein the coupling parts, at the two pairs of edges, have a tongue and a groove, as well as locking parts, which, in the coupled condition, prevent the drifting apart of the tongue and the groove; wherein said groove is bordered by a lower lip and an upper lip, the lower lip extending laterally
15 up to beyond the distal end of the upper lip; and wherein said substrate comprises at least two layers of PVC; wherein a reinforcement layer is incorporated in the substrate, said reinforcement layer being incorporated at a level which is located lower than the upper lip of the respective edges and between said two layers of PVC.

20

In another embodiment, there is provided a floor panel for forming a floor covering, wherein this panel comprises a substrate of a material on the basis of soft PVC; wherein this panel is rectangular, either oblong or square, and thus comprises a first pair of opposite edges and a second pair of opposite edges; wherein both pairs of
25 opposite edges comprise coupling parts allowing to mutually couple a plurality of such panels to each other; wherein these coupling parts at both pairs of edges form a first locking system which effects a locking in the plane of the panels and perpendicular to the respective edges, as well as form a second locking system which effects a locking perpendicular to the plane of the panels; and wherein these
30 coupling parts substantially are realized from said substrate; characterized in that the coupling parts at the first pair of opposite edges are configured such that two of such panels can be coupled to each other at these edges by means of a turning movement; that the coupling parts at the second pair of opposite edges are configured such that two of such floor panels can be coupled to each other by means
35 of a downward movement obtained as a result of the turning movement at the first pair of edges; that the coupling parts of the first pair of opposite edges consist of a

tongue and a groove, as well as locking parts defining locking surfaces, which, in the coupled condition, prevent the drifting apart of the tongue and groove; that the groove is bordered by a lower lip and an upper lip, wherein the lower lip extends laterally up to beyond the distal end of the upper lip; and that the contacting portion
5 formed between the tongue and the upper lip, which is situated at the underside of the upper lip, forms a downward inclination in proximal direction.

In another embodiment, there is provided a floor panel for forming a floor covering, wherein this panel comprises a substrate of a material on the basis of soft PVC;
10 wherein this panel is rectangular, either oblong or square, and thus comprises a first pair of opposite edges and a second pair of opposite edges; wherein both pairs of opposite edges comprise coupling parts allowing to couple a plurality of such panels to each other; wherein these coupling parts, at both pairs of edges, form a first locking system effecting a locking in the plane of the panels and perpendicular to the respective edges, as well as form a second locking system effecting a locking
15 transverse to the plane of the panels; and wherein these coupling parts substantially are realized from said substrate; characterized in

that the coupling parts of the first pair of opposite edges, as well as of the second pair of opposite edges are configured such that two of such panels can be
20 coupled to each other at these edges by means of a turning movement;

that to this aim, these coupling parts, at each of the aforementioned two pairs of edges, consist of a tongue and a groove, as well as locking parts, which, in the coupled condition, prevent the drifting apart of the tongue and groove;

that at both pairs the groove each time is bordered by a lower lip and an
25 upper lip, whereby the lower lip extends laterally up to beyond the distal end of the upper lip;

and that, at least at one pair of opposite edges, the contacting portion formed between the tongue and the upper lip, which is situated at the underside of the upper lip, forms a downward inclination in proximal direction.
30

In another embodiment, there is provided a panel for forming a floor covering, which, at least at two opposite edges comprises coupling parts of the type allowing to couple two of such panels to each other by means of a downward movement of one panel in respect to the other; wherein these coupling parts form a first locking
35 system, which effects a locking in the plane of the panels and perpendicularly to said edges, as well as form a second locking system, which effects a locking

perpendicularly to the plane of the panels; wherein the first locking system is formed at least of an upwardly directed lower hook-shaped portion which is situated at one of said two edges, as well as of a downwardly directed upper hook-shaped portion which is situated at the opposite edge; wherein the lower hook-shaped portion
5 consists of a lip with an upwardly directed locking element, whereas the upper hook-shaped portion consists of a lip with a downwardly directed locking element; wherein the second locking system comprises locking parts consisting of only one single locking part situated next to the proximal end of the lower hook-shaped portion and a single locking part situated next to the distal end of the upper hook-shaped portion;
10 wherein at least one of said locking parts of the second locking system is made from soft PVC; wherein said two opposite edges define respective upper panel edges; and wherein the panel at each of said two respective upper panel edges is provided with a chamfered surface.

15 In another embodiment, there is provided a panel for forming a floor covering, wherein this panel is rectangular, either oblong or square, and thus comprises a first pair of opposite edges and a second pair of opposite edges; wherein both pairs of opposite edges comprise coupling parts allowing to mutually couple a plurality of such panels to each other; wherein the coupling parts at the first pair of edges form
20 a first locking system which effects a locking in the plane of the panels and perpendicular to the respective edges, as well as form a second locking system which effects a locking perpendicular to the plane of the panels; wherein also the coupling parts at the second pair of edges form a first locking system which effects a locking in the plane of the panels and perpendicular to the respective edges, as
25 well as form a second locking system which effects a locking perpendicular to the plane of the panels; wherein the coupling parts at the second pair of edges are of the type allowing to couple two of such panels to each other by means of a downward movement of one panel in respect to the other; wherein the first locking system at the second pair of edges is formed at least of an upwardly directed lower
30 hook-shaped portion which is situated at one of the two edges of said second pair of edges, as well as of a downwardly directed upper hook-shaped portion which is situated at the opposite edge; wherein the lower hook-shaped portion consists of a lip with an upwardly directed locking element, whereas the upper hook-shaped portion consists of a lip with a downwardly directed locking element; wherein the
35 second locking system of said second pair of edges comprises locking parts consisting of only one single locking part situated next to the proximal end of the

lower hook-shaped portion and a single locking part situated next to the distal end of the upper hook-shaped portion; wherein at least one of said locking parts of the second locking system of the second pair of edges is made from soft PVC; wherein at least the edges of the first pair of edges define respective upper panel edges; and
5 wherein the panel at said upper panel edges of the first pair of edges is provided with a chamfered surface.

In another embodiment, there is provided a panel for forming a floor covering, which, at least at two opposite edges, comprises coupling parts of the type allowing to
10 couple two of such panels to each other by means of a downward movement of one panel in respect to the other; wherein these coupling parts form a first locking system, which effects a locking in the plane of the panels and perpendicularly to said edges, as well as form a second locking system, which effects a locking perpendicularly to the plane of the panels; wherein the first locking system is formed
15 at least of an upwardly directed lower hook-shaped portion which is situated at one of said two edges, as well as of a downwardly directed upper hook-shaped portion which is situated at the opposite edge; wherein the lower hook-shaped portion consists of a lip with an upwardly directed locking element, whereas the upper hook-shaped portion consists of a lip with a downwardly directed locking element; wherein
20 the second locking system comprises locking parts consisting of a single locking part situated next to the proximal end of the lower hook-shaped portion and a single locking part situated next to the distal end of the upper hook-shaped portion; wherein at least one of said locking parts of the second locking system is made from soft PVC; wherein the downwardly directed locking element at the distal end of the upper
25 hook-shaped portion comprises a guiding surface, which is inclined with respect to the direction perpendicular to the plane of the panel; and wherein said guiding surface extends upward from the lower side of the downwardly directed locking element.

30 In another embodiment, there is provided a panel for forming a floor covering; wherein the panel comprises a substrate of a material on the basis of soft PVC; wherein the panel comprises a top layer above said substrate; wherein this panel is rectangular, either oblong or square, and thus comprises a first pair of opposite edges and a second pair of opposite edges; wherein both pairs of opposite edges
35 comprise coupling parts allowing to couple a plurality of such panels to each other; wherein these coupling parts, at both pairs of edges, form a first locking system

effecting a locking in the plane of the panels and perpendicular to the respective edges, as well as form a second locking system effecting a locking transverse to the plane of the panels; wherein these coupling parts, at both pairs of edges, substantially are realized from said substrate; wherein these coupling parts, at least
5 at one of the aforementioned two pairs of edges, comprise a tongue and a groove, as well as a locking part at the tongue and a locking part at the groove, which, in the coupled condition, prevent the drifting apart of the tongue and groove via contacting locking surfaces; wherein said groove is bordered by a lower lip and an upper lip, whereby the lower lip extends laterally up to beyond the distal end of the upper lip;
10 wherein said locking part at the groove is located at said lower lip; wherein said tongue and groove have a shape which provides for that, in the coupled condition of two of such panels, a space is present underneath the tongue, said space extending from the tip of the tongue continuously underneath the tongue at least up to a location situated beyond the distal end of the upper lip; and wherein said locking part
15 that is located at said lower lip is situated completely in the lower half of the panel.

In another embodiment, there is provided a floor panel for forming a floor covering, wherein this panel comprises a substrate of a material on the basis of soft PVC; wherein this panel is rectangular, either oblong or square, and thus comprises a first
20 pair of opposite edges and a second pair of opposite edges; wherein both pairs of opposite edges comprise coupling parts allowing to couple a plurality of such panels to each other; wherein these coupling parts, at both pairs of edges, form a first locking system effecting a locking in the plane of the panels and perpendicular to the respective edges, as well as form a second locking system effecting a locking
25 transverse to the plane of the panels; and wherein these coupling parts substantially are realized from said substrate; characterized in

that the coupling parts of the first pair of opposite edges, as well as of the second pair of opposite edges are configured such that two of such panels can be coupled to each other at these edges by means of a turning movement;

30 that to this aim, these coupling parts, at each of the aforementioned two pairs of edges, consist of a tongue and a groove, as well as locking parts, which, in the coupled condition, prevent the drifting apart of the tongue and groove;

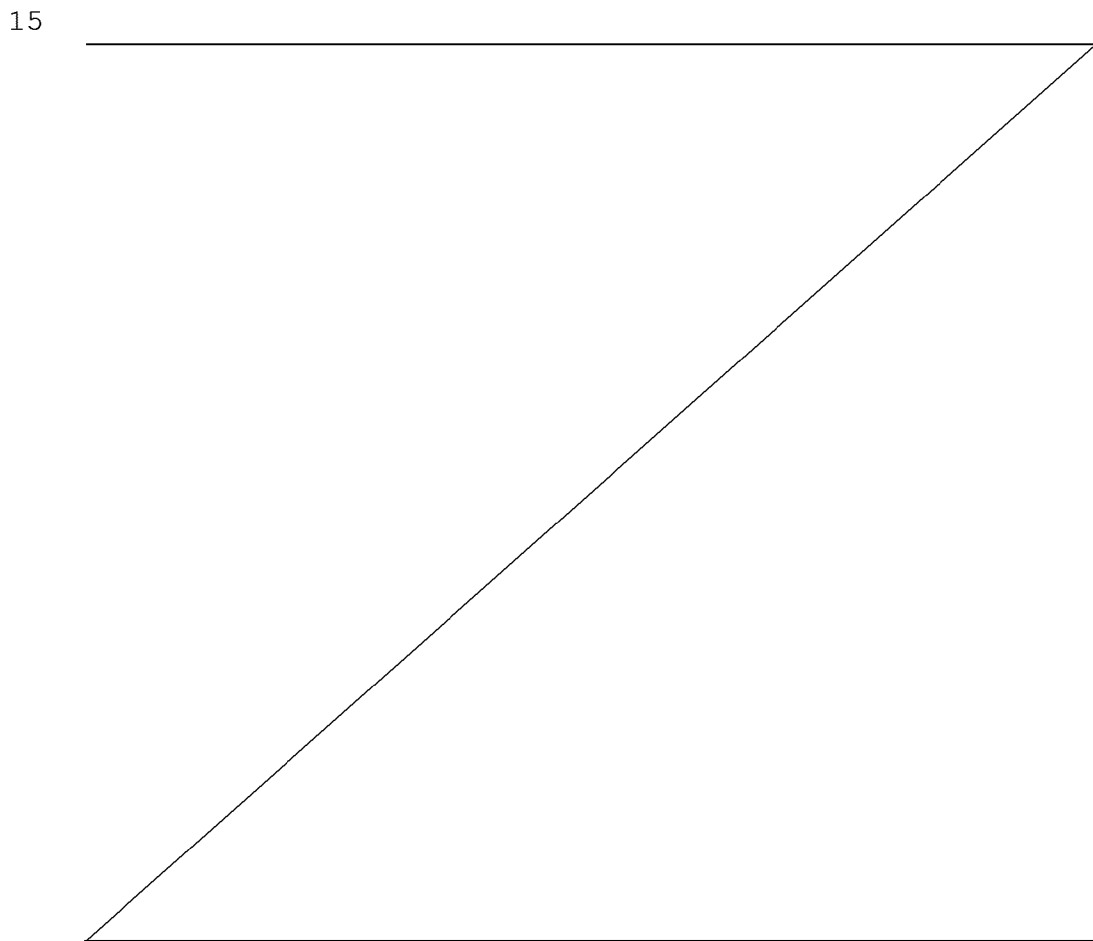
that at both pairs the groove each time is bordered by a lower lip and an upper lip, whereby the lower lip extends laterally up to beyond the distal end of the
35 upper lip;

and that, at least at one pair of opposite edges, the smallest thickness of the portion of the lower lip, which is situated beyond the distal end of the upper lip, is at least 0.7 times the average thickness of the upper lip at the location of the contacting portion formed between the tongue and the upper lip, situated at the underside of the upper lip.

In another broad aspect, there is provided a panel for forming a covering, which comprises a substrate on the basis of soft PVC, wherein the panel is rectangular, either oblong or square, and comprises a first pair of opposite edges and a second pair of opposite edges, wherein both first and second pairs of opposite edges comprise coupling parts allowing to couple a plurality of such panels to each other, wherein said coupling parts, at both first and second pairs of edges, form a first locking system effecting a locking in a plane of the panels and perpendicular to the respective edges, as well as a second locking system, effecting a locking transverse to the plane of the panels, wherein the coupling parts of the first pair of opposite edges are of the type allowing to couple two of such panels to each other by means of a downward movement of one panel with respect to the other; wherein said coupling parts are on the one hand integrally made from the substrate, as a result of which said coupling parts are realized in soft PVC (polyvinyl chloride), and on the other hand are realized at least partially in the form of a milled profiled part of said soft PVC; wherein the coupling parts at the second pair of opposite edges comprise a tongue and groove, as well as locking parts, which in the coupled condition, prevent a drifting apart of the tongue and the groove; wherein said groove is bordered by a lower lip and an upper lip, the lower lip extending laterally up to beyond a distal end of the upper lip; wherein said substrate comprises at least two layers of PVC; wherein a reinforcement layer is incorporated in the substrate, said reinforcement layer being incorporated at a level which is located lower than the upper lip of the respective edges of the second pair of opposite edges and between said at least two layers of PVC, wherein the panel comprises a top layer provided on the substrate, wherein the top layer comprises a printed PVC film and a transparent wear layer of vinyl.

In another embodiment, there is provided a floor panel for forming a floor covering, wherein this panel comprises a substrate of a material on the basis of soft PVC;

wherein this panel is rectangular, either oblong or square, and thus comprises a first pair of opposite edges and a second pair of opposite edges; characterized in that at least one pair of opposite edges comprises coupling parts allowing to couple two of such panels to each other; wherein these coupling parts form a first locking system effecting a locking in the plane of the panels and perpendicularly to the edges concerned, as well as form a second locking system effecting a locking transverse to the plane of the panels; that these coupling parts substantially are realized from said substrate; that these coupling parts consist of a tongue and a groove, as well as locking parts, which, in the coupled condition, prevent the drifting apart of the tongue and groove; that the groove is bordered by a lower lip and an upper lip, wherein the lower lip extends laterally up to beyond the distal end of the upper lip; and that the coupling parts are configured such that two of such panels can be coupled to each other at these edges by means of a turning movement, as well as can be coupled to each other by means of a shifting and snap movement.



In another embodiment, there is provided a floor panel for forming a floor covering, wherein this panel is rectangular and square, and thus comprises a long side and a short side; wherein this panel, at least at the short side, is provided with coupling parts allowing to couple two of such panels to each other; wherein these coupling parts form a first locking system effecting a locking in the plane of the panels and perpendicular to the respective edges, as well as form a second locking system effecting a locking transverse to the plane of the panels; wherein said coupling parts comprise a tongue and a groove, as well as locking parts, which, in the coupled condition, prevent the drifting apart of the tongue and groove; and wherein the aforementioned groove is bordered by a lower lip and an upper lip, whereby the lower lip extends laterally up to beyond the distal end of the upper lip; characterized in that the panel according to a direction perpendicularly to the short sides is manually bendable in such a manner that it can be inserted, at the edges extending transverse to this direction, with a tongue over the lower lip of a preceding panel in the groove of this preceding panel, until the upper edges touch each other, and without bending the lower lip of the preceding panel, whereas the panel concerned, at the edge located opposite to the edge having said tongue, is bent down until it touches the underlying surface.

With the intention of better showing the characteristics of the invention, hereafter, as an example without any limitative character, some preferred embodiments are described, with reference to the accompanying drawings, wherein:

Figure 1 in top plan view represents a panel, more particularly a floor panel, according to the invention;

Figures 2 and 3, at a larger scale, represent cross-sections according to the lines II-II and III-III in figure 1;

Figures 4 and 5 represent how the panels can be interconnected at their long sides;

Figures 6 and 7 represent how the panels fit into each other at their short sides;

Figure 8 represents how a plurality of panels from figure 1 can be connected to each other;

Figure 9, at a larger scale, represents the portion indicated by F9 in figure 8;

Figure 10 represents a particular technique for interconnecting panels;

Figure 11, at a larger scale, represents the portion indicated by F11 in figure 10;
Figures 12 and 13 further illustrate the aforementioned technique;
Figure 14 represents another particular embodiment of said technique;
5 Figure 15 in cross-section represents another embodiment of a panel according to the invention;
Figure 16 in top view represents another panel according to the invention;
Figures 17 and 18, at a larger scale, represent cross-sections according to lines XVII-XVII and XVIII-XVIII, respectively, in figure 16;
10 Figure 19 represents how two panels according to figure 16 can be coupled to each other;
Figure 20 represents two coupled panels from figure 16;
Figure 21 represents the edges of two panels according to figure 16 in a condition wherein they are presented to each other in a plan-parallel manner;
15 Figures 22 to 27 relate to methods for installing panels such as those from figure 16;
Figure 28 schematically represents a step from the milling process for realizing a panel according to figure 16.

20 In figures 1 to 7, an embodiment of a panel 1 according to the invention is represented, which is realized as a floor panel, in which all first five aspects of the invention are applied.

In the represented example, the panel 1 is made as an oblong rectangular strip and
25 thus comprises a first pair of opposite edges 2-3, which in this case form the long sides of the panel 1, and a second pair of opposite edges 4-5, which form the short sides of the panel 1.

As is represented more in detail in figures 2 and 3, both pairs of opposite edges 2-3
30 and 4-5 comprise coupling parts 6-7, 8-9, respectively, which allow to mutually couple a plurality of such panels 1 to each other.

As specifically represented in the figures 4 and 5, coupling parts 6-7 at the first pair
35 of opposite edges 2-3 are configured such that two of such panels can be coupled to each other at these edges 2-3 in a locking manner by means of a turning movement. Herein, the coupling parts 6-7 form a first locking system which effects

a locking in the plane of the panels 1 and perpendicularly to said edges 2-3, thus, in this case in the horizontal direction, as well as form a second locking system, which effects a locking perpendicularly to the plane of the panels 1, in this case, thus, in the vertical direction. To this aim, the coupling parts 6-7 are constructed as a tongue
5 10 and a groove 11, which provide for the vertical locking and comprise locking parts 12-13, which, in the coupled condition, prevent the shifting apart of the tongue and groove.

Herein, it is preferred that, as indicated, the groove 11 is limited by a lower lip 14
10 and an upper lip 15, and that the locking parts 12 and 13 are performed in the form of cooperating projections, at the lower side of the tongue 10 and at the upper side of the lower lip 14, respectively. The cooperation is performed by means of locking surfaces 16 and 17 provided for this purpose. As also represented, it is also preferred that the lower lip 14 extends laterally up to beyond the distal end of the
15 upper lip 15, more particularly such that the locking surface 17 is situated entirely in that portion of the lower lip 14 which is situated beyond the upper lip 15.

As schematically represented in figures 6 and 7, the coupling parts 8-9 at the second pair of opposite edges 4-5 are configured such that two of such panels 1 can be
20 coupled to each other by means of a downward movement of one panel in respect to the other. This downward movement will be discussed more detailed below.

As is clearly visible in figure 7, the coupling parts 8-9 herein also form a first locking system, which effects a locking in the plane of the panels 1 and perpendicular to
25 said edges 4-5, thus, in the case in the horizontal direction, as well as a second locking system, which effects a locking perpendicularly to the plane of the panels 1, in this case, thus, the vertical direction.

The first locking system is substantially formed of an upwardly directed lower hook-shaped portion 18 situated at the edge 5, as well as of a downwardly directed upper hook-shaped portion 19 which is situated at the opposite edge 4, which hook-shaped portions can be engaged one behind the other by said downward movement. The lower hook-shaped portion 18 consists of a lip 20, which extends laterally from the lower edge of the panel 1 and which is provided with an upwardly directed locking element 21 with a locking surface 22, whereas the upper hook-shaped portion 19
30 consists of a lip 23, which extends laterally from the upper edge of the panel 1 and
35

which is provided with a downwardly directed locking element 24 with a locking surface 25.

5 The second locking system of the edges at the short sides is formed by locking parts 26-27, which are situated next to the proximal extremity 28 of the lower hook-shaped portion 18 and the distal extremity 29 of the upper hook-shaped portion 19, respectively. The locking parts 26-27 consist of projections engaging one behind the other, which define locking surfaces 30-31. It is noted that the coupling parts 8-9 principally also may be considered a tongue and groove coupling, wherein the
10 locking part 27 functions as a tongue, whereas the groove in which this tongue gets seated, is defined by the locking part 26 functioning as the upper lip, and the first hook-shaped portion 18 functioning as the lower lip.

15 It is noted that the space between the vertically active locking part 26 and the horizontally active locking element 21, which is also indicated by opening H, functions as a female part 32, whereas the locking element 24 is made as a male part 33, which fits into the female part 32.

20 The panel 1 is substantially formed on the basis of soft polyvinyl chloride (PVC). More specifically, it comprises a substrate which is realized on the basis of soft PVC, which substrate is indicated by reference 34 in figures 2 through 13. In these figures, this substrate is schematically depicted as a single layer. In reality, this may be a single layer as well as several layers, which not all have to consist of PVC. Usually, a top layer 35 is provided on the substrate, which in figures 2 to 13 also is
25 represented by a single layer, however, in reality also may consist of several layers, which further will become clear from the description of figure 14. The top layer 35 has at least the aim of providing a decorative upper side 36 at the panel 1, preferably in the form of a printed decor and, at least in the case of a floor panel, providing for offering a wear-resistant surface.

30 As indicated in figure 7, the panels have a total thickness T. The thickness T preferably has a value situated between 3 and 10 mm. In particular in a practical embodiment, this value will be situated between 4 and 7 mm.

35 It is noted that the aforementioned coupling parts, 6-7 as well as 8-9, as represented, preferably are formed integrally from the material of the actual panel 1, more

particularly from the substrate material. As a result thereof, the coupling parts as such also consist of soft PVC. It is noted that the coupling parts 6-7 and 8-9 preferably are also formed by means of a mechanical treatment, more particularly milling treatments. Milling techniques which allow to provide coupling parts at the edges of the panels are known, amongst others, from WO 97/47834. By selecting appropriate cutters and by means of an appropriate adjustment thereof, thus, appropriate profiled parts, for example, as are represented in the figures, may be realized.

10 Preferably, the whole is designed such that, by exerting a relatively low force, preferably manually, at least one of said hook-shaped portions 18-19 can be bent out of the plane of the panel 1, and preferably even both can be bent out of the plane of the panel 1. By this bendability, it is meant that such hook-shaped portion can adopt a bent position in respect to the remainder of such panel 1, wherein this thus may relate to a bending in such hook-shaped portion itself, for example, in the lip thereof, as well as to a bending in the panel itself, proximally from the hook-shaped portion, such that the hook-shaped portion is put at an angle in respect to the panel itself, or to a combination of both. This bendability is achieved, amongst others, due to the suppleness of said soft PVC.

20 More particularly, it is preferred that at least one of said hook-shaped portions 18-19, in respect to the plane of the panel concerned, can be bent out of this plane, such that the pertaining locking element 21-24 can perform a movement, more particularly a tilting movement, which facilitates coupling the panels. Such bending allows a smooth coupling of such panels by means of an underlay element 37, according to an installation technique which will be explained further in particular.

In figures 8 and 9, it is schematically represented how the panels 1 can be installed. In order to explain the method, a number of the panels 1, in order to differentiate additionally, are indicated by references 1A, 1B, 1C. The panels 1 are laid down row per row and coupled to each other. In order to obtain that the panels are coupled at the edges 2-3 as well as 4-5, the method comprises at least the following steps:

- installing a first panel 1A intended for forming part of a first row of panels;
- coupling a second panel 1B to said first panel 1A, such at first edges 2-3, wherein this second panel 1B is intended for forming part of a second row successive to said first row of panels;

- coupling in the second row a third panel 1C both to said second panel 1B as to the first panel 1A, wherein the third panel 1C is coupled to the first panel 1A by means of a turning movement, wherein the third panel 1C, from an upwardly pivoted position, is brought into substantially the same plane as the first and second panels, whereas, as a result of this movement and the downward movement created therein, the hook-shaped portions 18-19 engage into each other between the third and second panel.

It is clear that normally, between installing the first panel 1A and coupling the second panel 1B thereto, first also all further panels of the row in which the first panel 1A is situated, are installed. Coupling the second panel 1B to the first panel 1A, of course, also is performed by connecting the panel 1B at its edge 2, by means of a turning movement as represented in figure 4, to the edge 3 of the first panel 1A and possible other panels of the row of the panel 1A.

When connecting the panel 1C to the panel 1A, also a turning movement, as in figure 4, is applied. Herein, a downward movement M is performed at the short edges 4-5, by which the coupling parts 8 and 9 are engaged into each other.

By this downward movement M, in a very broad sense each form of movement is meant in which, in a cross-section as seen in figures 6 and 7, the one panel is let down from a higher position in relation to the other. This movement M does not necessarily have to be a rectilinear movement, and during this movement, temporary deformations in the panels and more particularly in the hook-shaped portions 18 and 19 may occur.

Theoretically, a downward movement M, which, seen in cross-section, is rectilinear or almost rectilinear, may be used for engaging a panel 1C into a panel 1B, which means that the right-hand panel in figure 6, seen in cross-section, simply is pressed straight down into the position of figure 7. It is clear that herein effectively small local deformations will occur, as the locking parts 26 and 27 have to be pressed home one behind each other by means of a snap effect. Herein, the snap effect is obtained by the elasticity of the soft PVC and the bending actions in the component parts and compressions in the material occurring as a result thereof.

Practically seen, however, use shall be made of a technique described in more detail below, by which the installation of the panels 1 is facilitated. Namely, it is so that, when joining the panels by means of the aforementioned theoretical manner, the hook-shaped portions 18-19 are difficult to press fixedly into each other as the suppleness of soft PVC is too low. Pressing the hook-shaped portions 18-19 fixedly together according to said theoretical manner, in the represented profile normally will be realized only by exerting a force with a tool onto the upper side of the panel to be joined into the other, on the respective edge thereof, for example, by means of a hammer or the like.

10

According to a practical technique of the invention, an underlay element 37 is applied when interconnecting the panels 1C and 1B, in such a manner that during joining a bending is created in one or both of the hook-shaped portions 18-19, as a result of which the male part 33 more smoothly fits into the female part 32. Herein, the underlay element 37 is provided underneath the edge 5 of the panel 1B, more particularly is pushed there under, such that the hook-shaped portion 18 is pending freely at a distance above the subsurface, more particularly such as can be seen in figures 12 and 13. By subsequently coupling the panel 1C during turning down to the panel 1B, different movement mechanisms can be created, depending on the location where a pressure is exerted on the panel 1C, which mechanisms, however, always lead to a smooth joining of the edges, without having to exert an extreme force for this purpose. Thus, the pressing-on may take place simply by exerting a force F on the panel 1C with a finger.

15

20

25

According to figure 12, the force F is exerted on top of the hook-shaped portion 19, with the result that this hook-shaped portion 19 as such bends not or a little and only the hook-shaped portion 18 bends downward, whereby the opening H indicated in figure 11 enlarges a little and the male part 33 will fit better into the female part 32.

30

However, still better, as represented in figure 13, a force F is exerted on the panel 1C at a distance which is somewhat remote from the edge 4, with the result that the entire hook-shaped portion 19 comes into an upwardly bent position in respect to the remainder of the panel. As a result thereof, the locking element 24 performs a tilting movement, by which it fits more smoothly through said opening H, after which, after removing the pressure on the panel 1C, this locking portion 24 tilts back into its normal position, wherein the locking part 27 comes to sit underneath the locking part

35

26. It is clear that herein normally also a bending in the hook-shaped portion 18 will occur, as a result of which, analogous as discussed by means of figure 12, also the joining is facilitated once more.

5 During joining according to figure 13, a snap effect may or may not occur, depending on the design of the coupling parts and the bending effects of the hook-shaped portions 18 and 19 realized during joining. It is clear that by a bending herein a bending in a hook-shaped portion 18 or 19 itself has to be understood, thus, that the lip 20 and/or 23 itself is bent, as well as a bending of such part in its totality, wherein
10 the bending zone is not located in the lip 20 and/or 23, but at a farther distance from the respective edge in the respective panel itself. The bending may also consist of the combination of these two possibilities.

In the most preferred embodiment, the coupling parts 8-9 are realized such that, by
15 realizing a bending as in figure 13, however, in a more pronounced form, the male part 33 can be inserted in the female part 32 without any snap effect, this by means of the above-discussed tilting movement. By means of a pronounced bending, the male part 33 effectively can be inserted freely into the opening H, after which this, by the tilting back thereof, it is seated with the locking part 27 underneath the locking part 26 without any snap effect. Such pronounced bending is represented in figure
20 14, wherein said opening is enlarged such that the locking element 24 can move smoothly downward between the locking element 21 and the locking part 26, whether or not with any clamping effect, until the locking surface 31 slides underneath the locking surface 30 and the locking is obtained. It is noted that the
25 technique applied herein results in that the coupling is no longer operative as a so-called "push-lock" coupling, but rather provides for a local turning movement, wherein certain portions thus perform tilting movements into each other by the deformation of the respective edge zones.

30 An important advantage of the herein-above discussed practical methods consists in that for moving the locking parts 26 and 27 one behind each other, the panel 1C, when being let down, does not have to perform a short to-and-fro shifting movement along the already coupled edge 2, or this shifting movement is strongly minimized. In a number of known so-called "angle-push" or "fold-down" systems, such to-and-
35 fro shifting movement in fact forms a problem, as the new panel, which is already coupled at the longitudinal edges, often does not properly pull itself against the

preceding panel in the same row. By the above-described technique, wherein a tilting movement occurs in the edges 4-5 to be coupled, the entire panel, in order to provide the locking parts 26 and 27 one behind the other, does not have to perform a to-and-fro displacement in the longitudinal direction, or this to-and-fro displacement is considerably reduced, by which said problem is excluded, minimized, respectively.

Finally, in figure 15 a particular embodiment of a panel according to the invention is represented, with the particularity that in the substrate 34 a reinforcement layer 38 is provided, preferably of glass fiber, more particularly a net or fleece of glass fiber. An important preferred characteristic herein is that at least one of the lips 20, 23, respectively, and preferably both, comprise a portion G1, G2, respectively, which are free from the reinforcement layer 38, such that a good bendability in the respective lip is maintained.

As an example, figure 15, apart from the reinforcement layer 38, also represents a practical construction, which is composed as follows:

- the substrate, which consists of two basic layers 39-40, with the reinforcement layer 38 embedded there between;
- the top layer 35, which is composed of a film 41 printed with a motif, a transparent wear layer 42 and one or more transparent lacquer layers 43;
- at the underside, a backing layer 44.

The basic layers 39 and 40 consist of PVC, possibly recycled PVC, whereas the reinforcement layer 38 consists of a glass fiber net. The printed film 41 consists of a printed PVC film. The transparent wear layer 42 consists of a thin layer of vinyl, in which wear-resistant particles, preferably ceramic particles, such as corundum and the like, are incorporated. The lacquer layers 43 offer an additional protection and preferably are formed of two layers of transparent polyurethane lacquer, in which optionally also wear-resistant particles have been incorporated.

The thicknesses of the layers may differ from manufacturer to manufacturer. In figure 15, they are depicted only schematically. In a practical embodiment, these may have, for example, the following thicknesses: 1 mm for the backing layer 44; 2.5 mm for the lower basic layer 37; 0.3 mm for the glass fiber net; 1.5 mm for the upper

basic layer 38; 0.1 mm for the printed film 39; 0.5 mm for the wear layer 40; and 0.1 mm for the whole of lacquer layers 41.

Further, impressions can be provided in the surface, in the form of a relief, which, for example, imitates a real surface structure, for example, of wood or the like. This relief can be performed in register with the decor.

Further, it is noted in general that preferably also one or more of the following characteristics are applied:

- 10 - the locking part 27 is placed somewhat towards the inside, such that it is situated entirely underneath the upper side of its own panel;
- the locking parts 26-27 forming the second locking system are made in the form of projections, undercuts, respectively.

15 The present invention is in no way restricted to the embodiments described by way of example and represented in the figures, however, such panel, such covering and such method for installing panels can be realized according to various variants, without leaving the scope of the invention.

20 For example, a support portion 45 can be provided at the underlay element 37, with which this underlay element 37 can be slid against the front edge of the panel 1B, in order to obtain that the underlay element is situated perpendicularly to the longitudinal direction of the panels. At the front edge 46 possibly a means, such as an inclined part, can be provided, as a result of which the underlay element can be
25 slid smoothly under the already installed panel 1B. It is noted that the underlay element 37 preferably has such a length that it reaches up to underneath the panel 1A.

The panel described below by means of figures 16 to 28, as well as methods for installing and manufacturing it, relate to the seventh to thirteenth aspect of the
30 invention.

In the represented example, the panel 1 is rectangular and oblong and comprises one pair of edges 2-3, which form the long sides of the panel 1, as well as one pair
35 of edges 4-5, which form the short sides. Further, the represented panel 1 comprises

a substrate 34, which consists of a material on the basis of soft PVC. Moreover, the panel 1 altogether is relatively supple.

5 As can be seen in figures 17 and 18, at each pair of edges 2-3 and 4-5 coupling parts 6-7, 8-9, respectively, are present, which are formed in the substrate 34 and which, in the coupled condition of two of such panels 1, effect a locking in the vertical as well as in the horizontal direction. Herein, these coupling parts 6-7 and 8-9 at both pairs of edges 2-3 and 4-5 are configured such that two of such panels can be coupled to each other by means of a turning movement, as illustrated in figure 19.

10

In this case, the coupling parts 6-7 and 8-9 consist at both pairs of edges of a tongue 10 and a groove 11, as well as locking parts 12-13, which, in the coupled condition, prevent the drifting apart of the tongue 10 and groove 11. The groove 11 respectively is bordered by a lower lip 14 and an upper lip 15, wherein the lower lip 14 extends 15 laterally up to beyond the distal end 47 of the upper lip 15. The locking parts 12-13 define locking surfaces 16-17. It is noted that in the represented example, the tongue and groove profiles at both pairs of edges 2-3 and 4-5 are identical to each other, which, of course, is no absolute requirement. For simplicity's sake, in the embodiment of figures 16 to 21 thus the same references 10 to 17 are applied for 20 the specific description of the coupling parts 6-7 as well as of the coupling parts 8-9.

The locking surfaces 16-17 are situated at least partially, and, as represented, 25 entirely in the portion of the lower lip which is situated beyond the distal end of the upper lip.

Figure 20 represents that in the coupled condition of two of such panels 1, a space 30 48 is present underneath the tongue 10, said space extending continuously underneath the tongue 10 as from the tip of the tongue 10 up to a location 50, which is situated beyond the distal end 47 of the upper lip 15.

Said space 48 extends underneath the tongue 10 over a length L1, measured 35 parallel to the plane of the panel, which preferably is at least 1.5 times, and still better at least 2 times, the distance L2 from the tip 49 of the tongue 10 up to the distal end 47 of the upper lip 15, which effects a smooth insertion of the tongue in the groove

and also contributes to that two of such panels can be shifted along their edges in mutual respect.

5 As represented, the tongue 10 preferably is in connection with the remainder of the panel 1 by means of a narrowed portion 51. The smallest thickness A of the portion 52 of the lower lip 14, which is situated beyond the distal end 47 of the upper lip 15, therein preferably is smaller than the smallest thickness B of said narrowed portion 51. Further, it is preferred that the tongue 10, in downward direction, is supported on the groove by means of the locking surfaces 16 and 17 and/or by means of a support point 53 situated proximally from the locking surface 17.

10 The support point 53, which also provides for the support in downward direction, preferably has a contact tangent line 54 forming an inclination with the horizontal which is smaller than 30 degrees and still better is smaller than 10 degrees and still better is zero degrees, such as it is the case in figure 20.

15 The fact that apart from the locking surfaces 16 and 17, also a support point 53 is present, guarantees for that the tongue 10 cannot move up and down in the groove and that no height differences can occur among the coupled panels.

20 Figure 20 also shows that the contacting portion 55, which is situated at the underside of the upper lip 15, preferably forms a slight downward inclination in proximal direction, which allows working with a slightly downward-inclined milling cutter, which will be explained further in the description of figure 28.

25 As represented, the tongue 10 preferably is beveled or rounded at the upper side, next to the tip 49. The rounded and/or beveled portion 56 preferably extends over a distance L3, which is at least 1/4 and still better at least 1/3 of the length L2, as measured according to a direction parallel to the plane of the panels. Also distally from the contacting portion 55, as represented, preferably a beveled and/or rounded portion 57 is present at the underside of the upper lip 15, such over a distance L4, which is at least 1/5 and still better 1/4 of said distance L2.

30 The average thickness L5 of the portion of the tongue 10 situated in coupled condition underneath the contacting portion 55, preferably is less than 1.5 mm in order to keep maximum material thicknesses for the upper lip 15 and lower lip 14 in

this manner, which is of importance with vinyl panels, which mostly are relatively thin. Preferably, the tongue 10 is relatively long in relation to its thickness. More particularly, it is preferred that the distance L2 is larger than 1.2 times and still better is larger than 1.3 times the aforementioned thickness L5, by which a positive locking
5 in height direction can be guaranteed.

The lower lip 14 preferably is made relatively stable in relation to the groove structure. More particularly, it is preferred that the distance A, which relates to the thinnest portion of the lower lip 14, is at least 0.7 times the distance L6. Herein, the
10 distance L6 is the average thickness of the upper lip 15 at the location of the contacting portion 55.

As can be seen in figure 21, the tongue and groove are made such that, when two of such panels 1 are presented to each other in a plane-parallel manner at the edges
15 concerned, the tongue 10 comes to sit at least with its tip already at least partially underneath the lip 15 bordering the upper side of the groove 11, without any bending being necessary already. This offers the advantage that the tongue 10, during the installation of the panels 1, almost always automatically ends up in the groove. Further, it is preferred that, due to the elasticity and bendability of the materials, of
20 which the panels are made, two of such panels can also be forced into each other by means of a snap movement. This may be realized, for example, by pushing two of such panels 1 from a mutual position, such as the one from figure 21, towards each other. This may also be realized starting from a position in which both panels 1 are situated completely next to each other, and shifting them from this position
25 towards each other. The rounded portions 58 and 59 indicated in figure 21 then cooperate with each other and provide for that the tongue 10 then is shifted onto and subsequently over the locking part 13.

It is noted that all partial characteristics described herein above, according to not
30 represented variants of the invention, do not have to be combined in the same embodiment and also do not have to be present at both edges. Each of the described characteristics, ratios and the like thus may occur as such in combination with one of the independent aspects of the invention.

35 Figures 22 to 25 represent how the panels 1 can be installed by means of a "angle-angle technique", which means that the panels are installed by means of a turning

technique both at the edges 2-3 and 4-5. Herein, for clarity's sake the panels are indicated by the differentiating references 1D, 1E and 1F.

5 Figure 22 shows a situation in which panels 1D in the same row already are coupled to each other and, in a second row, already a panel 1E is coupled thereto. The newly to be coupled panel 1F then is coupled to the panel 1E by means of a turning movement W1, wherein this panel 1F in respect to the closest edge of the panels 1D is situated somewhat shifted over a distance D1. The turning movement W1 is a movement analogous to the one represented in figure 19.

10

Thereafter, both panels 1E and 1F simultaneously are turned somewhat upward, which turning movement is indicated by W2 in figure 24. Subsequently, the panel 1F is shifted with its edge 4 along the edge 5 of the panel 1E, by means of a shifting movement S, until the condition of figure 25 is obtained. Due to the presence of said space 48, it is obtained that the tongue 10 during this shifting movement S cannot get stuck in the most rigid portion of the groove, in particular the portion situated underneath the upper lip. In the case of synthetic material, and in particular in the case of soft PVC, otherwise rather fast a clamping effect would arise, which renders installing difficult and even impossible.

15

20 As a result of the aforementioned shifting movement S, the panels 1F and 1D come into a position at their cooperating edges, which is analogous to that of figure 19. It is clear that the panel 1F can be brought in its completely installed position by turning the panels 1E and 1F then from the position of figure 25 simultaneously downward into the flat condition, such by means of the turning movement W3.

25

By applying a tongue and groove profile allowing a mutual presentation as illustrated in figure 21, it is also obtained that with the shifting represented in figure 24 the tongue at the edge 6 automatically searches a way into the grooves 11 of the edges 7 of the panels 1D, even when the panels 1E and 1F are lifted up only slightly.

30

Thus, it is clear that the use of the space 48 is of particular importance at the short sides, whereas a configuration allowing a mutual positioning as in figure 21 is particularly useful at the long sides.

35

Figure 26 represents a technique, which can replace the steps of figures 22 and 23. Herein, the panel 1E first is turned somewhat upward and in this position the panel 1F is presented with its edge 4 to the edge 5 of panel 1E and is turned in, after which again a condition as in figure 24 is obtained.

5

It is noted that it is preferred that a panel 1 according to the invention is manually bendable in at least one direction in such a manner that it can be inserted, at the edges extending transverse to this direction, with a tongue over the lower lip of a preceding panel into the groove of this preceding panel, until the upper edges touch each other, and without bending of the lower lip of the preceding panel, whereas the respective panel, at the edge situated opposite to the edge having said tongue, is bent down up to the underlying surface. This allows that such panel can be smoothly inserted with the tongue concerned into the groove of a preceding panel. As the panel at the opposite edge can be bent up to the underlying surface, or possibly, under the influence of its own weight, bends down to the underlying surface, the panel can be smoothly aligned in said direction in relation to the already installed panels. In the case of oblong panels, said direction preferably is the longitudinal direction of the panel.

20 A practical application, wherein said characteristic shows its advantages, is represented in figure 27. In figure 27, a panel 1F is coupled to the panel 1E, analogous as in figure 22, however, the panel 1F thereby is brought or held in a bent condition. In this manner, the tongue of the edge 4 can be inserted in the respective groove of the panel 1E, analogous to figure 19, whereas the corner 60 remains on the underlying surface or in the proximity thereof and thereby the panel 1F can be positioned with the corner 60 close to the edge 3 of the panel 1D, by which an alignment in longitudinal direction is obtained, which facilitates the realization of the coupling at the short sides.

25 According to a deviating variant of the invention, it also relates to panels which are made of synthetic material and in particular on the basis of soft PVC, wherein, as aforementioned, use is made of a space underneath the tongue, however, wherein it is not necessary that coupling parts are present at the other pair of sides, or wherein these coupling parts provide exclusively for a vertical or exclusively for a horizontal locking. Such space also in such application still offers certain advantages, amongst others, of a smooth insertion of the tongue in the groove.

Figure 28 represents that the groove 11 can be realized, amongst others, by means of a rotating cutting tool 61, such as a milling cutter, which is arranged inclined in respect to the plane of the panel. This allows giving the cutting parts 62 of the cutting tool 61 a larger thickness than in the case of using a cutting tool 61 rotating in the plane of the panel. This is of particular importance with thin panels, for example, with a thickness of less than 5 mm, in order to thus still be able to give the cutting parts 62 a proper thickness, which thickness D2 then is at least 1.4 mm. Towards the underside of the panels, the cutting parts 62 may remove more material, as here then the space 48 has to be realized. It is noted that the panel here is represented upright, however, that in a real milling process, the panel mostly is lying upside down on a support surface.

Finally, it is noted that the panels above substantially are described as floor panels. A certain terminology refers to the position taken by a panel when applied as flooring. However, it is clear that with an application in wall or ceiling panels, this terminology has to be interpreted in an adapted manner. A lower hook-shaped portion then has to be seen as a hook-shaped portion situated against the rear side. An upwardly directed locking element then has to be seen as a locking element extending in the direction from the rear side to the decorative side. A downward movement then forms the movement by which one panel is moved with its rear side towards the plane in which the covering has to be realized.

Also, it is noted again that there, where soft PVC is mentioned, according to an alternative pertaining to the invention, also other synthetic materials can be applied, which have a similar suppleness as soft vinyl or LVT tiles. It is also clear that the substrates intended in the application can consist of a plurality of layers, amongst which also such of other materials, as, for example, reinforcement layers.

Further, it is clear that when using them as floor panels, these panels can be installed floatingly, which, however, does not exclude that, according to an alternative, they can be glued to the underlying surface, as well.

CLAIMS

1. A panel for forming a covering, the panel comprising at least two opposite edges, and coupling parts at said at least two opposite edges, the coupling parts being of the type allowing to couple two of such panels to each other by means of a downward movement of one panel with respect to the other; wherein said coupling parts form a first locking system, which effects a locking in a plane of the panels and perpendicularly to said at least two opposite edges, as well as form a second locking system, which effects a locking perpendicularly to the plane of the panels; wherein the first locking system is formed at least of an upwardly directed lower hook-shaped portion which is situated at one of said at least two opposite edges, as well as of a downwardly directed upper hook-shaped portion which is situated at another one of said at least two opposite edges; wherein the lower hook-shaped portion consists of a lip with an upwardly directed locking element, whereas the downwardly directed upper hook-shaped portion consists of a lip with a downwardly directed locking element; and wherein the second locking system comprises locking parts which are situated next to a proximal end of the upwardly directed lower hook-shaped portion and a distal end of the downwardly directed upper hook-shaped portion, respectively; wherein the panel further comprises a substrate of a material on the basis of soft PVC, wherein the coupling parts are realized integrally from the substrate, wherein said substrate comprises at least two layers of soft PVC; wherein at least one of said locking parts of the second locking system is realized at least partially in said soft PVC; as well as at least partially in the form of a milled profiled part in said soft PVC; and wherein a reinforcement layer is incorporated in the substrate, said reinforcement layer being incorporated at a level located lower than the locking part that is situated next to the proximal end of the lower hook-shaped portion and between said at least two layers of soft PVC, wherein the panel comprises a top layer provided on the substrate, wherein the top layer comprises a printed PVC film and a transparent wear layer of vinyl.

2. The panel according to claim 1, wherein at least said coupling parts are realized at least partially in said soft PVC.

3. The panel according to claim 2, wherein at least said coupling parts are integrally formed in said soft PVC.

4. The panel according to any one of claims 1 to 3, wherein the panel is rectangular, either oblong or square, and thus comprises a first pair of opposite edges and a second pair of opposite edges; wherein said first and second pairs of opposite edges comprise the coupling parts allowing to mutually couple a plurality of such panels to each other; wherein said coupling parts at both first and second pairs of edges form the first locking system which effects the locking in the plane of the panels and perpendicular to the respective edges, as well as form the second locking system which effects the locking perpendicular to the plane of the panels; and wherein the coupling parts at one of said first and second pairs of edges thus are formed by said coupling parts, which are of the type allowing that two panels are couplable to each other by means of a downward movement of one panel with respect to the other.

5. The panel according to claim 4, wherein the panel consists of a substrate and wherein the coupling parts at both first and second pairs of edges are realized integrally from said substrate.

6. A panel for forming a covering, which comprises a substrate on the basis of soft PVC, wherein the panel is rectangular, either oblong or square, and comprises a first pair of opposite edges and a second pair of opposite edges, wherein both first and second pairs of opposite edges comprise coupling parts allowing to couple a plurality of such panels to each other, wherein said coupling parts, at both first and second pairs of edges, form a first locking system effecting a locking in a plane of the panels and perpendicular to the respective edges, as well as a second locking system, effecting a locking transverse to the plane of the panels, wherein the coupling parts of the first pair of opposite edges are of the type allowing to couple two of such panels to each other by means of a downward movement of one panel with respect to the other; wherein said coupling parts are on the one hand integrally made from the substrate, as a result of which said coupling parts are realized in soft PVC (polyvinyl chloride), and on the other hand are realized at least partially in the form of a milled profiled part of said soft PVC; wherein the coupling parts at the second pair of opposite edges comprise a tongue and groove, as well as locking parts, which in the coupled condition, prevent a drifting apart of the tongue and the groove; wherein said groove is bordered by a lower lip and an upper lip, the lower lip extending laterally up to beyond a distal end of the upper lip; wherein said substrate comprises at least two layers of PVC; wherein a reinforcement layer is

incorporated in the substrate, said reinforcement layer being incorporated at a level which is located lower than the upper lip of the respective edges of the second pair of opposite edges and between said at least two layers of PVC, wherein the panel comprises a top layer provided on the substrate, wherein the top layer comprises a printed PVC film and a transparent wear layer of vinyl.

7. The panel according to claim 6, wherein the first locking system of the coupling parts of the first pair of opposite edges is formed at least of an upwardly directed lower hook-shaped portion which is situated at one of said opposite edges concerned, as well as of a downwardly directed upper hook-shaped portion which is situated at another one of said two opposite edges.

8. The panel according to claim 6 or 7, wherein the coupling parts at the first and second pairs of edges are realized integrally from the substrate.

9. The panel according to any one of claims 1 to 8, wherein the substrate comprises fillers.

10. The panel according to any one of claims 1 to 9, wherein a thickness of the panel is comprised between 3 mm and 10 mm.

11. The panel according to claim 10, wherein the thickness of the panel is comprised between 4 mm and 7 mm.

12. The panel according to any one of claims 1 to 11, wherein the panel comprises a decorative layer.

13. The panel according to any one of claims 1 to 12, wherein the panel is made in the form of a rectangular oblong strip.

14. The panel according to any one of claims 1 to 13, wherein the reinforcement layer is at least partially made of glass fiber.

15. The panel according to any one of claims 1 to 14, wherein the top layer comprises one or more transparent lacquer layers; and wherein the panel comprises a backing layer at an underside of the substrate.

16. The panel according to claim 15, wherein the transparent wear layer comprises wear-resistant particles incorporated in the vinyl layer.

17. The panel according to claim 16, wherein the transparent wear layer comprises corundum.

18. The panel according to any one of claims 1 to 17, wherein the reinforcement layer consists of a glass fiber net or fleece.

19. The panel according to any one of claims 1 to 18, wherein the panel is a floor panel for forming a floor covering.

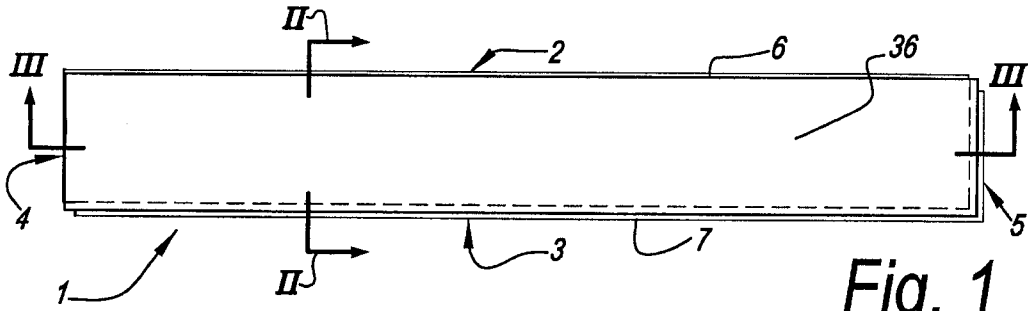


Fig. 1

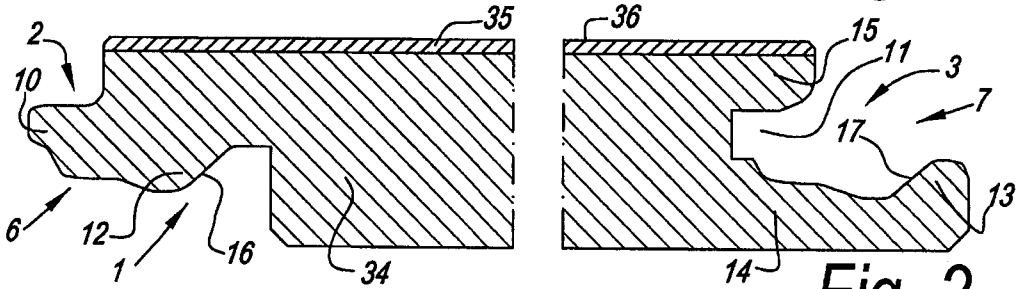


Fig. 2

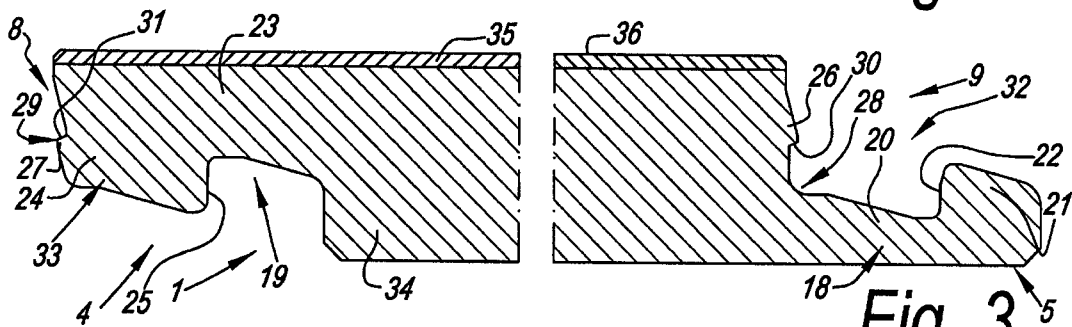


Fig. 3

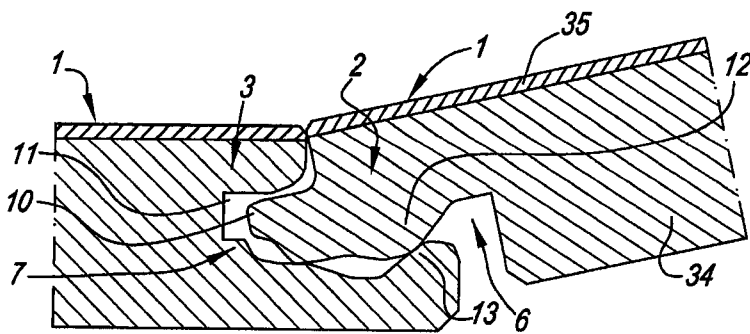


Fig. 4

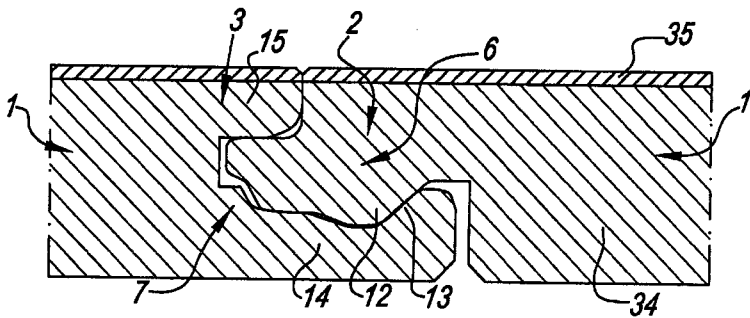


Fig. 5

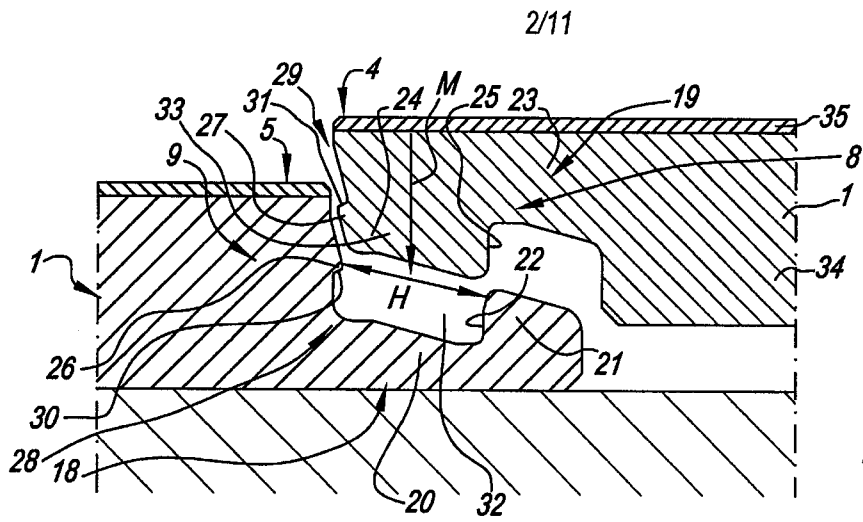


Fig. 6

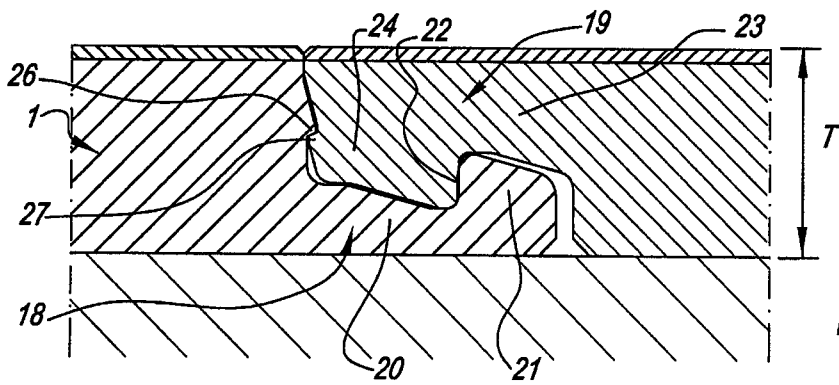


Fig. 7

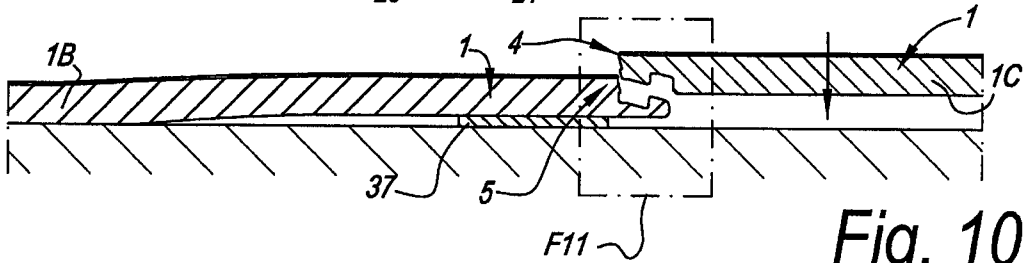


Fig. 10

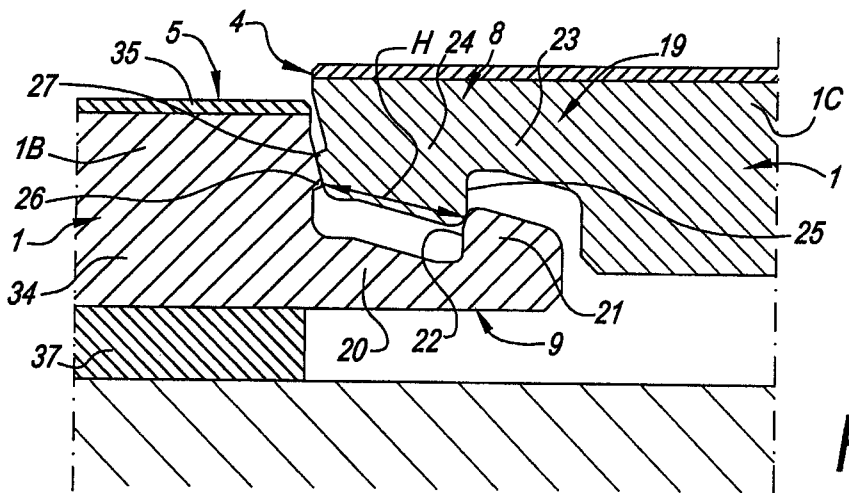


Fig. 11

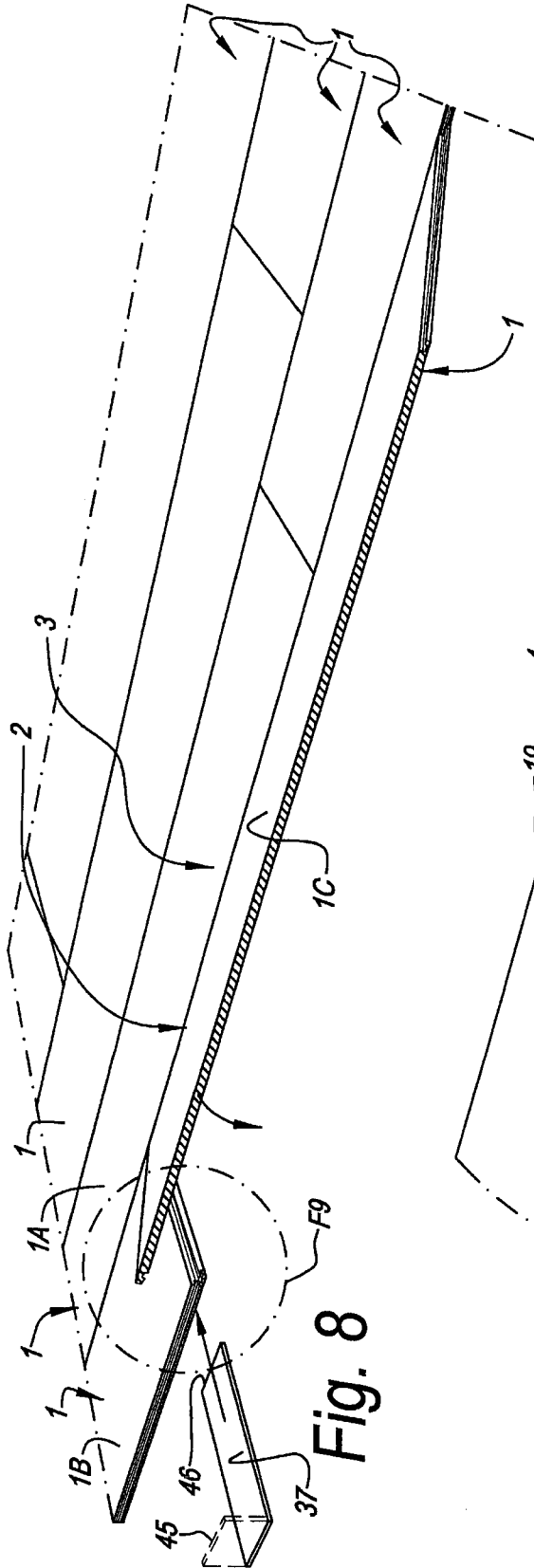


Fig. 8

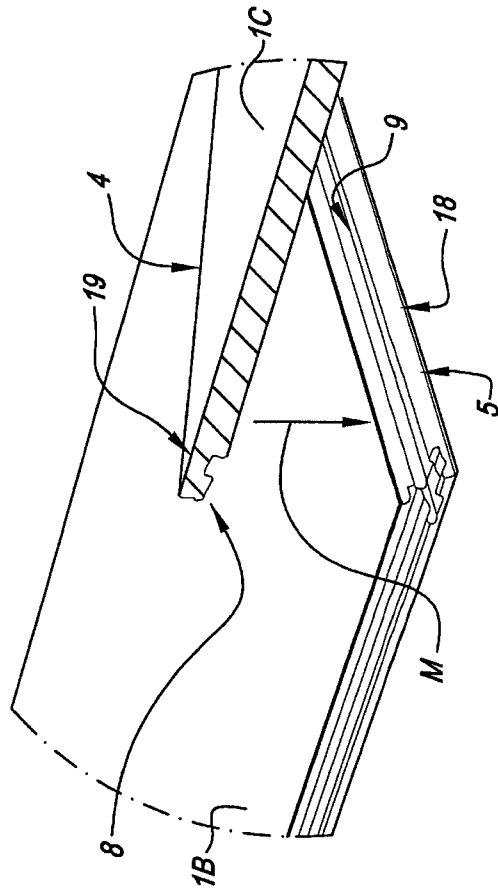


Fig. 9

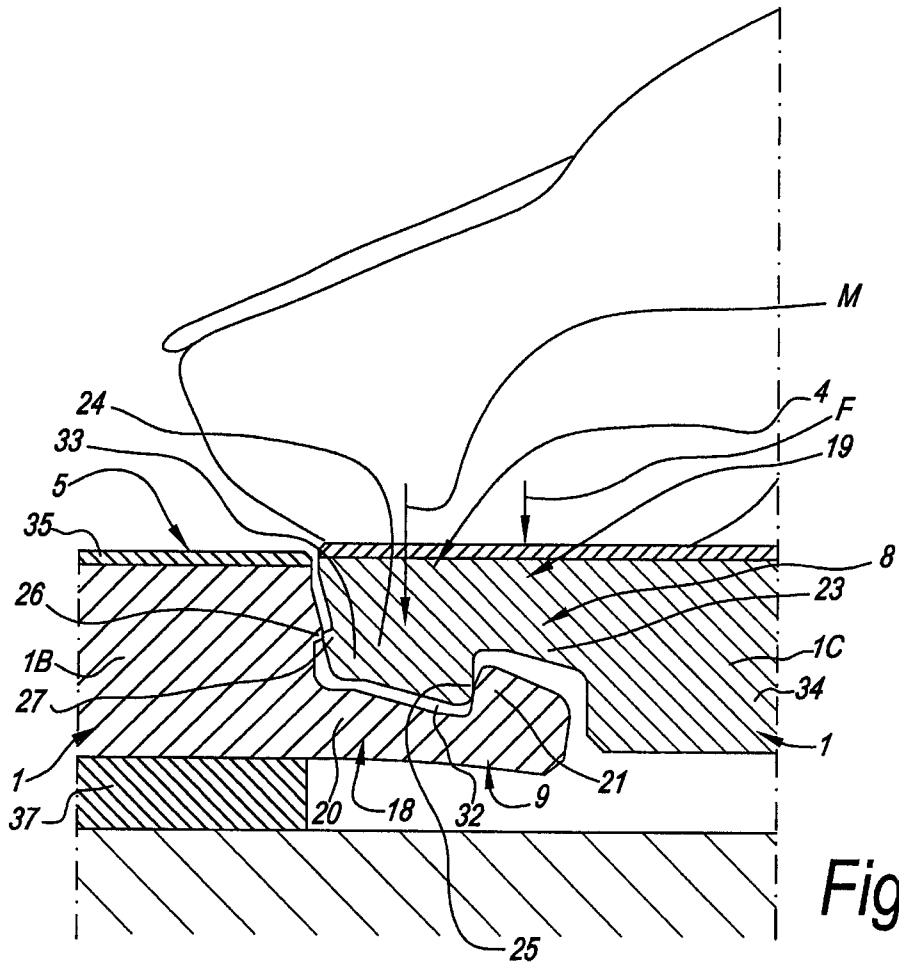


Fig. 12

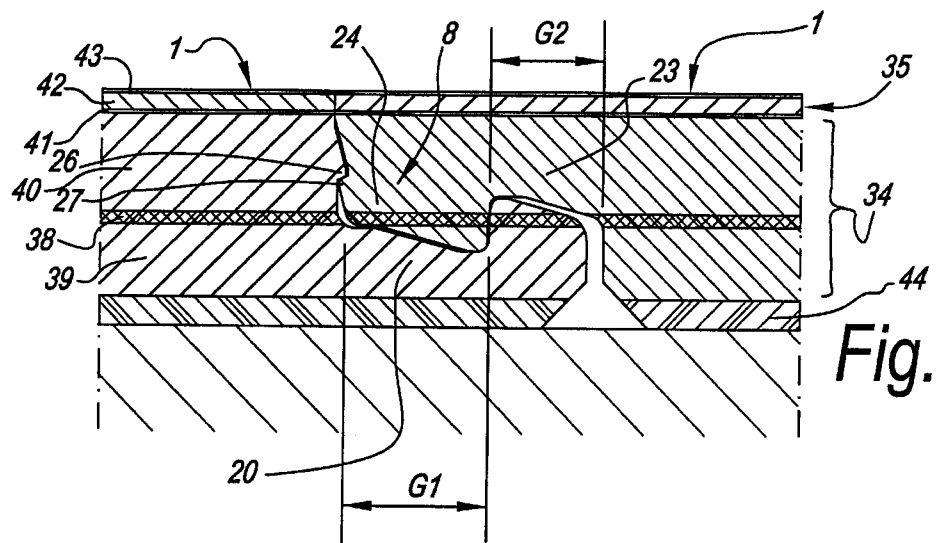


Fig. 15

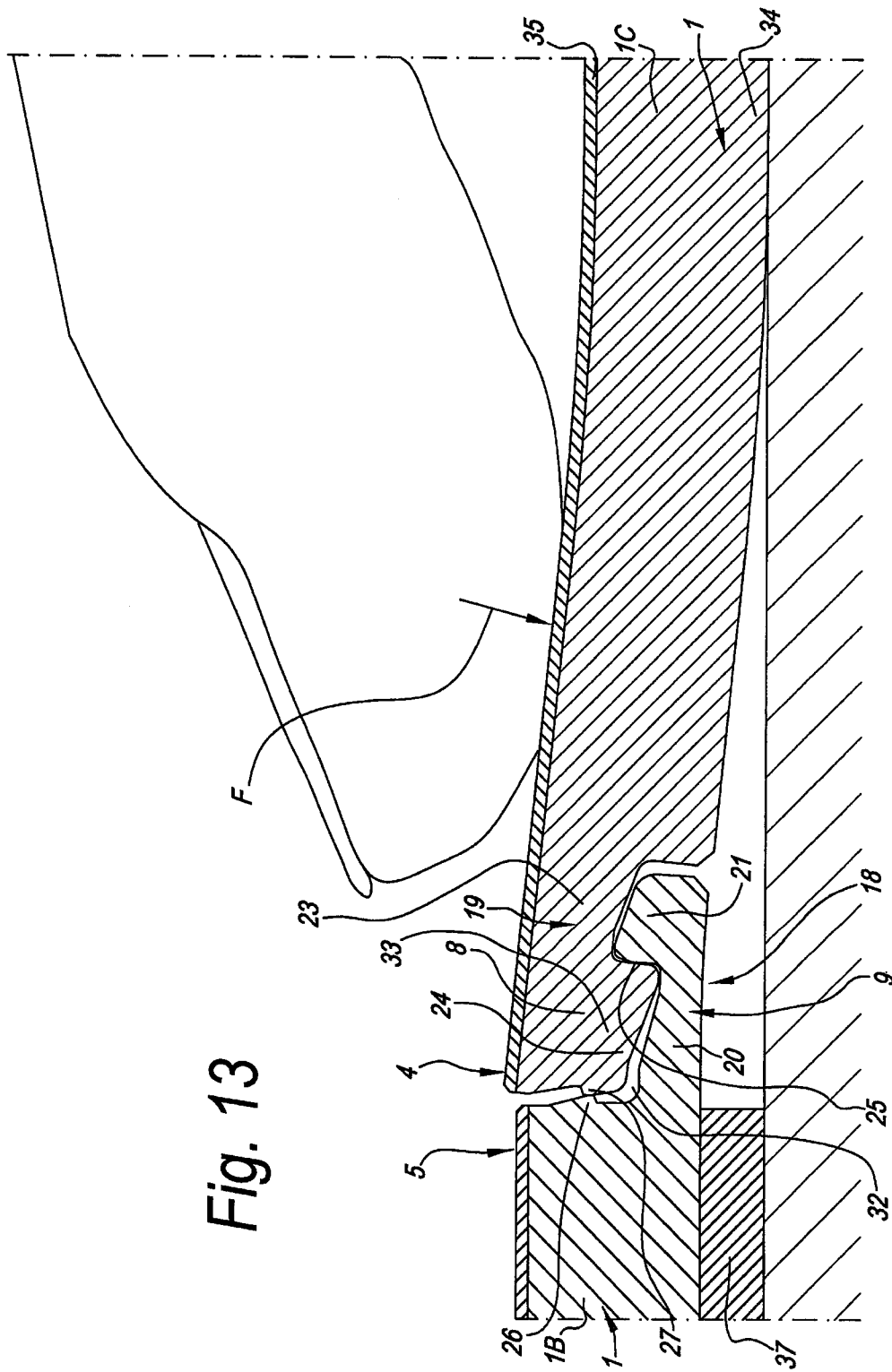


Fig. 13

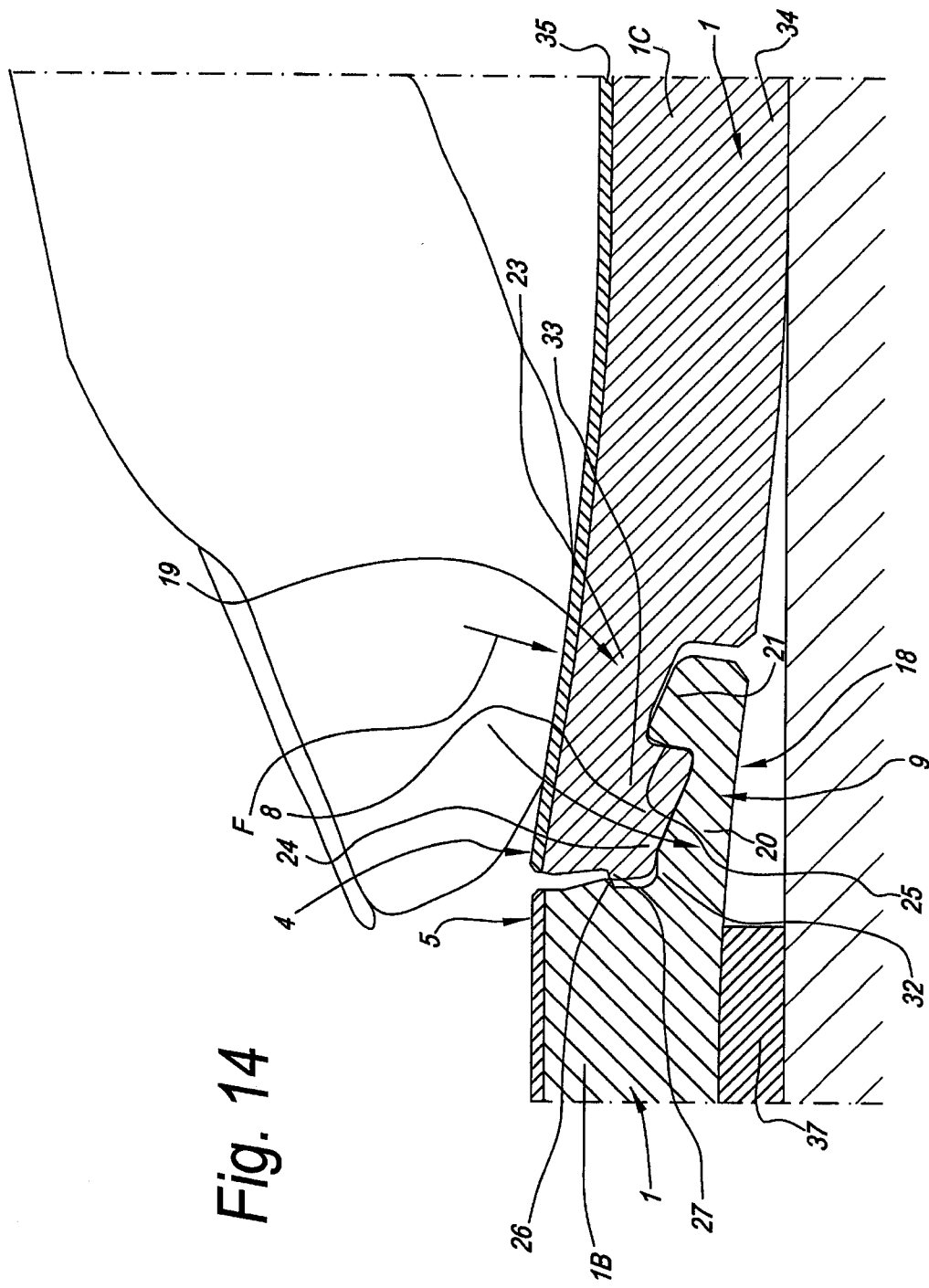
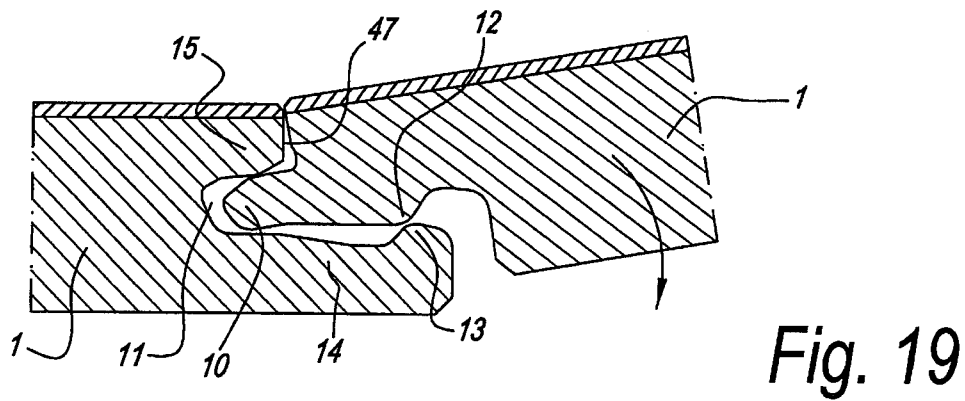
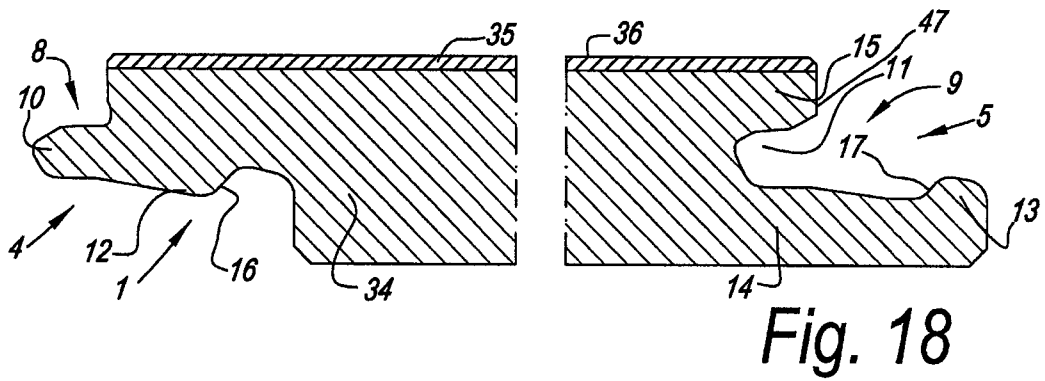
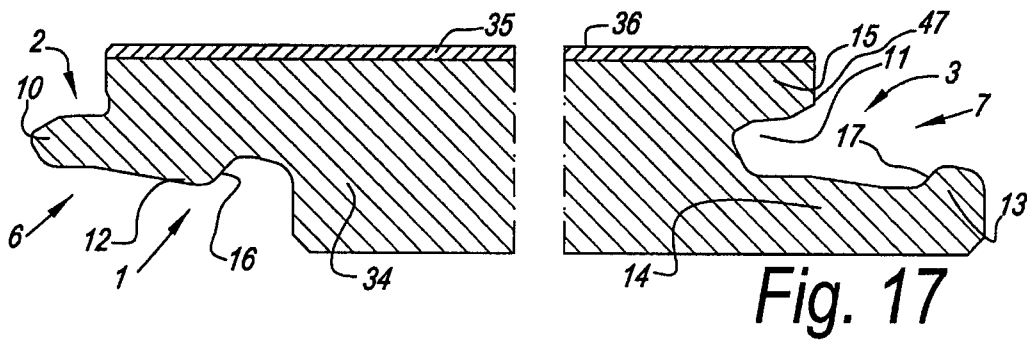
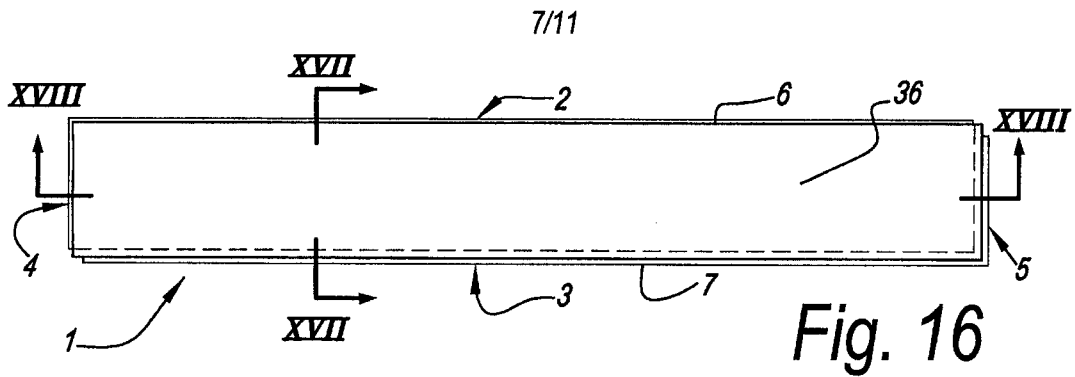


Fig. 14



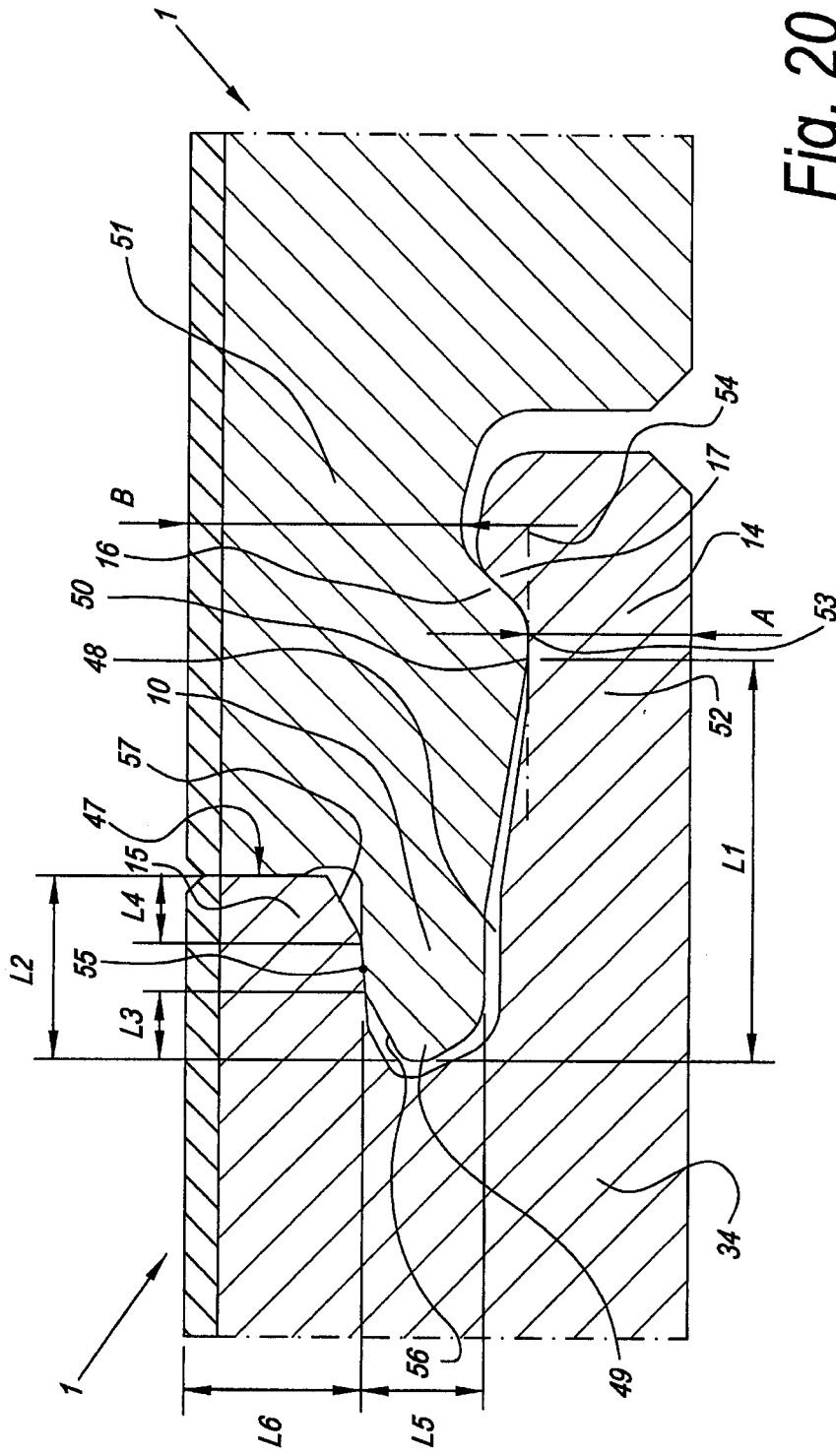


Fig. 20

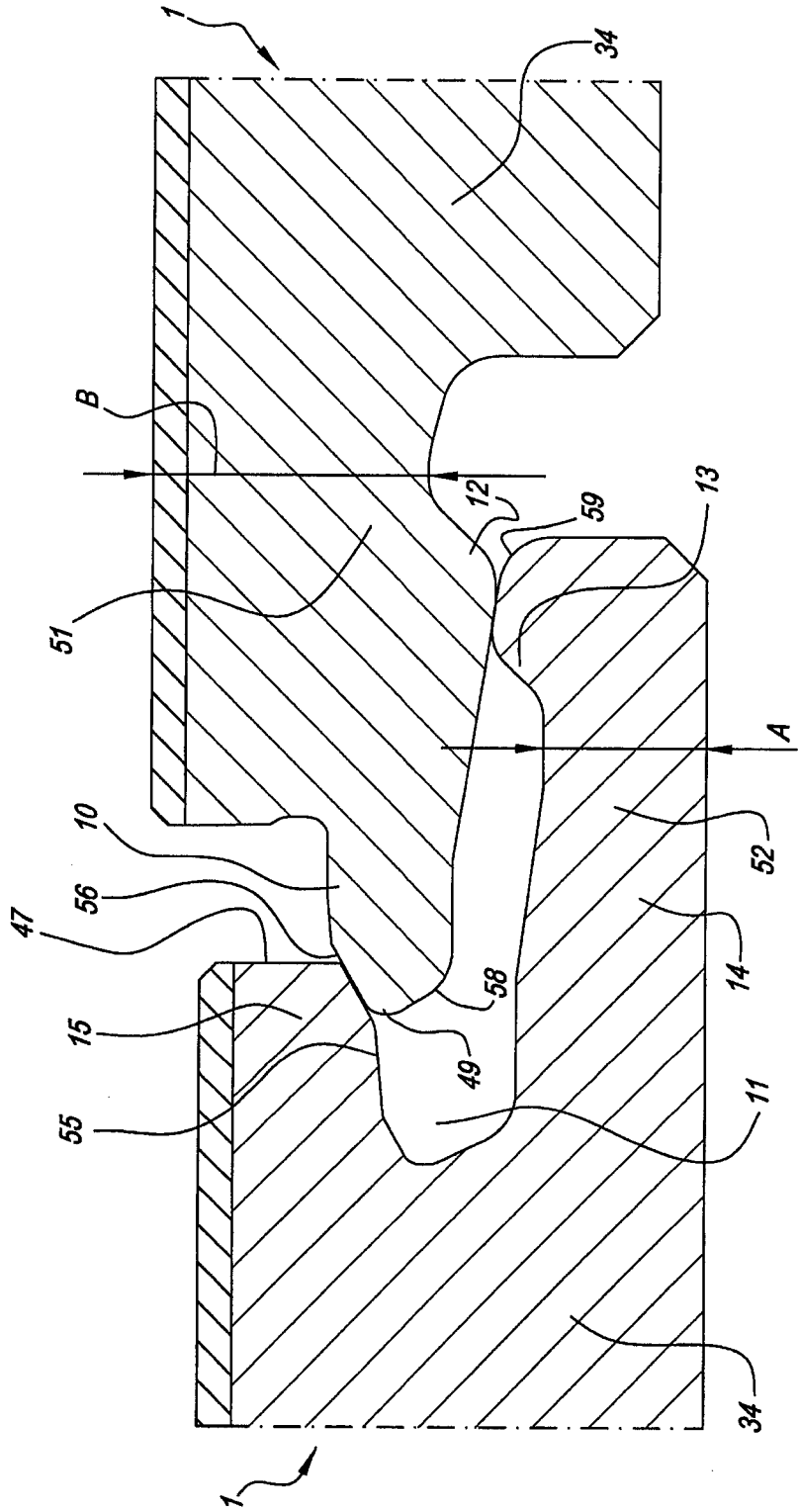


Fig. 21

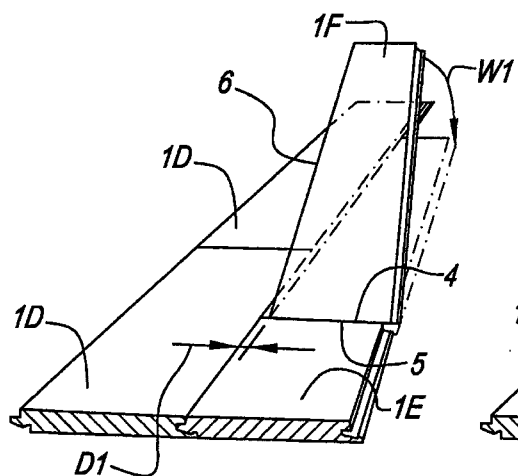


Fig. 22

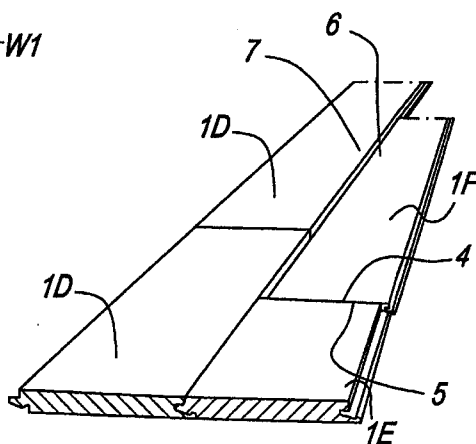


Fig. 23

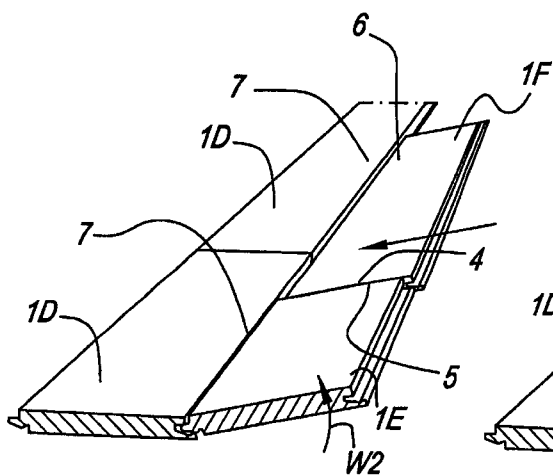


Fig. 24

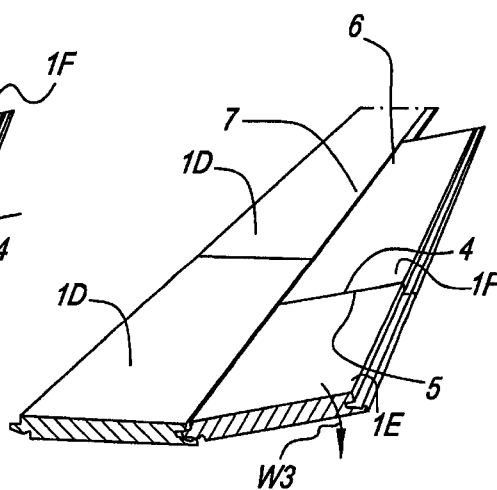


Fig. 25

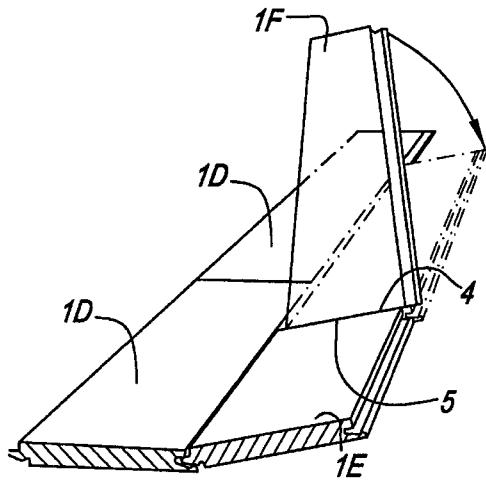


Fig. 26

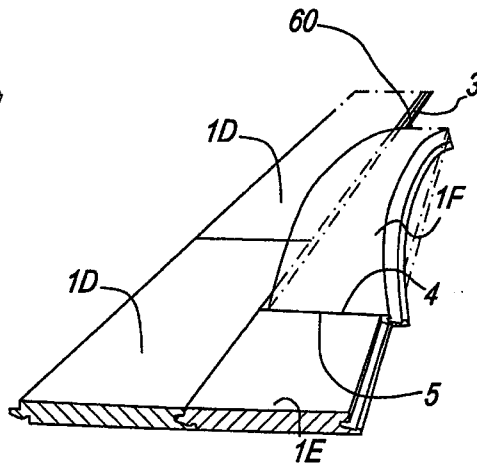


Fig. 27

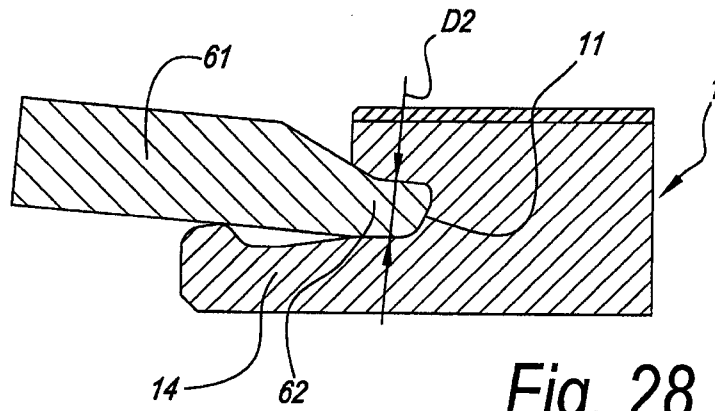


Fig. 28

