



- (51) **International Patent Classification:**
F27B 1/16 (2006.01) C21B 7/16 (2006.01)
C21B 5/00 (2006.01)
- (21) **International Application Number:**
PCT/EP2009/056211
- (22) **International Filing Date:**
22 May 2009 (22.05.2009)
- (25) **Filing Language:** English
- (26) **Publication Language:** English
- (30) **Priority Data:**
91445 23 May 2008 (23.05.2008) LU
- (71) **Applicant (for all designated States except US):** PAUL WURTH S.A. [LU/LU]; 32, rue d'Alsace, L-1122 Luxembourg (LU).
- (72) **Inventors; and**
- (75) **Inventors/Applicants (for US only):** GOEDERT, Paul [LU/LU]; 18 rue Lodève, L-5651 Mondorf-les-bains (LU). LUNKES, Christian [LU/LU]; 161, rue d'Esch, L-4380 Ehlerange (LU). LEMMER, Pol [LU/DE]; 23b Secundinierstr., 54298 Igel (DE).
- (74) **Agents:** LAMBERT, Romain et al.; B.P. 48, 234, Route d'Arlon, L-8001 Strassen (LU).

- (81) **Designated States (unless otherwise indicated, for every kind of national protection available):** AE, AG, AL, AM, AO, AT, AU, AZ, BA, BB, BG, BH, BR, BW, BY, BZ, CA, CH, CN, CO, CR, CU, CZ, DE, DK, DM, DO, DZ, EC, EE, EG, ES, FI, GB, GD, GE, GH, GM, GT, HN, HR, HU, ID, IL, IN, IS, JP, KE, KG, KM, KN, KP, KR, KZ, LA, LC, LK, LR, LS, LT, LU, LY, MA, MD, ME, MG, MK, MN, MW, MX, MY, MZ, NA, NG, NI, NO, NZ, OM, PG, PH, PL, PT, RO, RS, RU, SC, SD, SE, SG, SK, SL, SM, ST, SV, SY, TJ, TM, TN, TR, TT, TZ, UA, UG, US, UZ, VC, VN, ZA, ZM, ZW.
- (84) **Designated States (unless otherwise indicated, for every kind of regional protection available):** ARIPO (BW, GH, GM, KE, LS, MW, MZ, NA, SD, SL, SZ, TZ, UG, ZM, ZW), Eurasian (AM, AZ, BY, KG, KZ, MD, RU, TJ, TM), European (AT, BE, BG, CH, CY, CZ, DE, DK, EE, ES, FI, FR, GB, GR, HR, HU, IE, IS, IT, LT, LU, LV, MC, MK, MT, NL, NO, PL, PT, RO, SE, SI, SK, TR), OAPI (BF, BJ, CF, CG, CI, CM, GA, GN, GQ, GW, ML, MR, NE, SN, TD, TG).

Published:
— with international search report (Art. 21(3))

(54) **Title:** METHOD FOR FEEDING PULVERISED COAL INTO A BLAST FURNACE

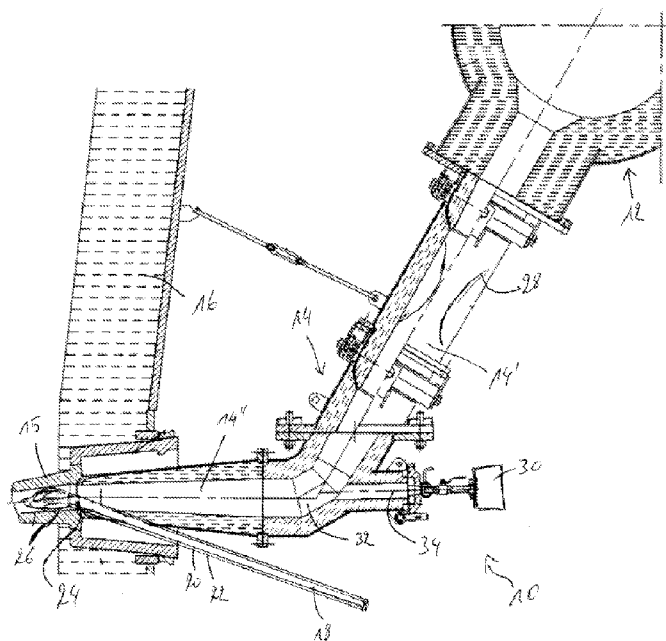


Fig.1

(57) **Abstract:** The present invention proposes a method for feeding pulverised coal into a blast furnace, wherein the method comprises the following steps: providing a tuyere stock (14) for blowing hot blast air from a bustle pipe (12) into a furnace hearth of a blast furnace through a tuyere (15) in an opening in the furnace wall (16); providing a pulverised coal injection lance (18) for feeding pulverised coal into the tuyere (15), the pulverised coal injection lance (18) comprising an inner pipe (20) for conveying pulverised coal and an outer pipe (22), coaxially arranged around the inner pipe (20), for conveying combustible gas, the inner pipe (20) forming a separation wall for separating the pulverised coal from the combustible gas, the pulverised coal injection lance (18) having a lance tip (24) arranged in the tuyere (15); allowing the pulverised coal and the combustible gas to form a mixture of pulverised coal and combustible gas at the lance tip (24); burning the mixture of pulverised coal and combustible gas in the tuyere (15); monitoring whether or not a flame at the lance tip (24) is burning; and upon determination that the flame at the lance tip (24) is not burning, reigniting the flame by temporarily reducing the flow of combustible gas through the pulverised coal injection lance (18).

Method for feeding pulverised coal into a blast furnace

Introduction

The present invention relates to a method for feeding pulverised coal into a blast furnace, in particular through a pulverised coal injection lance having an inner pipe for conveying pulverised coal and an outer pipe, concentric to the inner pipe, for conveying combustive gas.

Description of the Prior Art

5 Pulverised coal injection lances are generally used to inject pulverised coal as a substitute to coke into a blast furnace. The pulverised coal is conveyed pneumatically through the lance and fed into an oxidising atmosphere in a tuyere, through which hot blast air is blown into the furnace. In order to completely burn the pulverised coal, the combustion reaction should begin as
10 close to the lance tip as possible. So-called Oxycoal lances consist of an inner pipe for conveying the pulverised coal and an outer pipe, concentric to the inner pipe, for conveying combustive gas, generally pure oxygen. The presence of pure oxygen at the lance tip improves the combustion conditions so that the combustion reaction starts at the lance tip.

15 It has been found, however, that the flame at the lance tip is not stable and does sporadically go out. In some cases, the flame can automatically reignite without intervention. This can however not be guaranteed. If the combustion of the pulverised coal does not take place at the lance tip because the flame has extinguished, the pulverised coal and the oxygen are fed into the blast furnace,
20 and complete burning of the pulverised coal cannot be guaranteed.

A number of solutions have been proposed in order to improve the burning efficiency at the lance tip, generally by improving the mixing of the pulverised coal and oxygen. For example, EP 1 060 272 describes that the burning of the pulverised coal can be improved and the flame maintained by providing a flow
25 swirler between the coaxial pipes so as to impart a swirling motion to the

oxygen fed to the lance tip. The effect of the flow swirler however depends very much on the structure of the lance. If the spiral angle is too deep, the oxygen is directed away from the pulverised coal and the burning efficiency is decreased. If the spiral angle is too shallow, the improvement of the burning efficiency is negligible.

- 5 It has also been suggested in EP 1 060 272, to provide the outer surface wall of the inner pipe with a plurality of dimples near the lance tip for reducing fluid flow resistance and for improving the mixing of the pulverised coal with the oxygen at the lance tip.
- 10 Although the above systems may, in certain conditions, be suitable for improving the burning efficiency, this effect is not guaranteed and there remains a risk that the flame is not maintained.

Object of the invention

- Consequently, the object of the present invention is to provide an improved method for feeding pulverised coal into a blast furnace. This object is solved by
- 15 a method as claimed in claim 1.

General description of the invention

- In order to achieve this object, the present invention proposes a method for feeding pulverised coal into a blast furnace, wherein the method comprises the following steps:
- providing a tuyere stock for blowing hot blast air from a bustle pipe into a
- 20 furnace hearth of a blast furnace through a tuyere in an opening in the furnace wall;
- providing a pulverised coal injection lance for feeding pulverised coal into the tuyere, the pulverised coal injection lance comprising an inner pipe for conveying pulverised coal and an outer pipe, coaxially arranged around the
- 25 inner pipe, for conveying combustive gas, the inner pipe forming a separation wall for separating the pulverised coal from the combustive gas, the pulverised coal injection lance having a lance tip arranged in the tuyere;

allowing the pulverised coal and the combustive gas to form a mixture of pulverised coal and combustive gas at the lance tip; and
burning the mixture of pulverised coal and combustive gas in the tuyere.

According to an important aspect of the invention, the method comprises the
5 further steps of:

monitoring whether or not a flame at the lance tip is burning; and
upon determination that the flame at the lance tip is not burning, reigniting the
flame by temporarily reducing the flow of combustive gas through the pulverised
coal injection lance.

10 The burning of the flame is monitored and as soon as the flame extinguishes,
the flow of combustive gas to the lance tip is reduced. The inventors have found
that a short reduction or interruption of the supply of combustive gas allows
reigniting the flame at the lance tip so that improved combustion of the
pulverised coal in the tuyere can be quickly restored.

15 Preferably, while the flow of combustive gas through the pulverised coal
injection lance is temporarily reduced, the flow of pulverised coal through the
pulverised coal injection lance is maintained.

The monitoring the burning of a flame at the lance tip is preferably carried out
continuously. The flame can therefore be reignited as soon as possible, so as to
20 minimise the amount of unburnt pulverised coal being injected into the blast
furnace.

The monitoring the burning of a flame at the lance tip is advantageously carried
out by tuyere blockage detection means. The use of such tuyere blockage
detection means allows carrying out the monitoring of the flame by devices that
25 are already installed on blast furnaces. Because no additional detectors are
necessary, no additional installation and maintenance costs need be budgeted
for.

According to a first embodiment of the invention, the method comprises:
providing tuyere blockage detection means with pressure sensors for measuring
30 a pressure drop in the hot blast air across a section of tuyere stock upstream of
the lance tip; and

monitoring the pressure drop across the section of tuyere stock and, based thereon, determine whether or not the flame at the lance tip is burning.

The use of means for measuring a pressure drop in the tuyere stock is currently used to detect a blockage of the tuyere. Indeed, it is possible that the exit of the
5 tuyere into the blast furnace becomes blocked. If this occurs and further pulverised coal is injected into the tuyere, the tuyere stock fills up with pulverised coal. As soon as a blockage of the tuyere is detected, represented by a sudden reduction in pressure drop, the injection of pulverised coal and
10 combustive gas is therefore stopped to prevent the tuyere stock and bustle pipe from filling up with pulverised coal.

The inventors have noted that the pressure drop is also influenced by the combustion reaction at the lance tip. When a flame is burning at the lance tip, heat is generated in the tuyere, such that expansion of the hot blast, which is due to the temperature increase, leads to a higher pressure drop at the tuyere.
15 This slightly reduces the flow rate of hot blast and therefore the pressure drop in the downcomer of the tuyere stock.

A sudden increase in pressure drop can thus be interpreted as an indication that the flame at the lance tip is no longer burning.

The means for measuring a pressure drop, typically used for detecting a tuyere
20 blockage, can be used to monitor the burning of a flame at the lance tip.

The pressure drop can be measured between the bustle pipe and a section of tuyere stock upstream of the lance tip. Pressure drop measurement means can e.g. comprise a pressure detector arranged in the section of tuyere stock upstream of the lance tip. Additionally, a Venturi tube may be arranged in the
25 section of tuyere stock upstream of the lance tip and be associated with the pressure detector.

A signal based on the measured pressure drop can be used in a signal processing algorithm to determine whether or not the flame at the lance tip is burning.

It may e.g. be concluded that the flame at the lance tip is not burning if the pressure drop is increased by a predetermined amount. It may also be concluded that the flame at the lance tip is not burning if the pressure drop is increased by a predetermined amount for a predetermined amount of time. As
5 the pressure drop is influenced by many parameters, the pressure drop signal has many variations, even in normal operating conditions. It is therefore preferred to conclude that the flame is not burning only if the pressure drop has increased by a certain amount or increased for a certain period or both.

According to a second embodiment of the invention, the method comprises:

- 10 providing the tuyere stock with a substantially horizontal blow pipe for blowing hot blast air into the furnace hearth of the blast furnace;
providing tuyere blockage detection means with a light intensity detector arranged in axial alignment with the blow pipe; and
monitoring the light intensity in the tuyere and, based thereon, determine
15 whether or not the flame at the lance tip is burning.

The use of means for measuring light intensity in the tuyere is currently used to detect a blockage of the tuyere. In case an important reduction of light intensity from the tuyere is detected, the tuyere is likely to be blocked and the injection of pulverised coal and combustive gas is therefore stopped to prevent the tuyere
20 stock and bustle pipe from filling up with pulverised coal.

A reduction in light intensity can also be interpreted as an indication that the flame at the lance tip is no longer burning. Indeed, the presence of a flame in the tuyere creates light in the tuyere. The absence of a flame therefore leads to a reduced light intensity in the tuyere.

- 25 The means for measuring light intensity, typically used for detecting a tuyere blockage, can be used to monitor the burning of a flame at the lance tip.

It may be concluded that the flame at the lance tip is not burning if the light intensity in the tuyere is reduced by a predetermined amount.

- It may be concluded that the flame at the lance tip is not burning if the light
30 intensity in the tuyere is reduced by a predetermined amount for a predetermined amount of time.

According to a third embodiment of the invention, the method comprises:
providing the tuyere stock with a substantially horizontal blow pipe for blowing hot blast air into the furnace hearth of the blast furnace;
providing tuyere blockage detection means with a camera arranged in axial
5 alignment with the blow pipe; and
monitoring an image in the tuyere and, based thereon, determine whether or not the flame at the tip of the pulverised coal injection lance is burning.

The use of means for monitoring an image from the tuyere is currently used to detect a blockage of the tuyere. In case the tuyere is blocked, the
10 characteristics of the image from the tuyere changes and, depending on the changed characteristics, the injection of pulverised coal and combustive gas is therefore stopped to prevent the tuyere stock and bustle pipe from filling up with pulverised coal.

A change in the characteristics of the image from the tuyere can also be
15 interpreted as an indication that the flame at the lance tip is no longer burning.

The means for monitoring an image from the tuyere, typically used for detecting a tuyere blockage, can be used to monitor the burning of a flame at the lance tip. It may be concluded that the flame at the lance tip is not burning if the image from the tuyere changes according to a predetermined scheme. It may be
20 concluded that the flame at the lance tip is not burning if the image from the tuyere has sufficient similarity with a predetermined paragon image.

The image from the tuyere is preferably analysed by means of an image processing algorithm.

According to a fourth embodiment of the invention, the method comprises:
25 providing the tuyere stock with a substantially horizontal blow pipe for blowing hot blast air into the furnace hearth of the blast furnace;
providing temperature measurement means, such as e.g. a pyrometer, arranged in axial alignment with the blow pipe; and
monitoring a temperature in or near the tuyere and, based thereon, determine
30 whether or not the flame at the tip of the pulverised coal injection lance is burning.

A pyrometer can e.g. be associated with each tuyere and measure the temperature of the flame in the furnace in front of the tuyere. The temperature signal allows monitoring the burning of a flame at the lance tip. It may be concluded that the flame at the lance tip is not burning if the temperature drops
5 by a predetermined amount or if the temperature remains below a predetermined threshold for a predetermined amount of time.

The combustive gas used in connection with such pulverised coal injection lances is preferably oxygen.

Brief description of the figures

The present invention will be more apparent from the following description of
10 one not limiting embodiment with reference to the attached drawing, wherein Fig.1 shows a cut through an installation used for carrying out the method according to the present invention.

Detailed description with respect to the figures

Fig.1 shows a hot blast system 10 having a bustle pipe 12 encircling a blast furnace and a plurality of tuyere stocks 14 for feeding hot blast air through an
15 opening in the blast furnace wall 16 into the furnace hearth of the blast furnace. The tuyere stocks 14 are refractory-lined steel tubes for supplying the hot blast air from the bustle pipe 12 to the blast furnace. They each generally comprise an angled first portion 14', also referred to as downcomer, and a substantially horizontal second portion 14'', also referred to as blow pipe. The second portion
20 14'' has a convex spherical nose, designed and arranged so as to come into airtight engagement with a concave end of a tuyere 15 installed in the opening in the furnace wall 16. The first portion 14' is arranged at an angle with respect to the horizontal portion 14'' and is connected to the bustle pipe 12 for leading the hot blast air from the bustle pipe 12 to the second portion 14''.

25 A pulverised coal injection lance 18 is provided for injecting pulverised coal into the blast furnace. The lance 18 is of the oxycoal type and comprises an inner pipe 20 for conveying pulverised coal and an outer pipe 22, coaxially arranged

around the inner pipe 20, for conveying combustive gas. The inner pipe 20 forms a separation wall for separating the pulverised coal from the combustive gas all the way through the lance 18, until the pulverised coal and the combustive gas are allowed to mix at a lance tip 24 of the pulverised coal injection lance 18.

The pulverised coal injection lance 18 is arranged in such a way that its lance tip 24 is situated in an exit region 26 of the tuyere 15, near the opening in the furnace wall 16.

In operation, hot blast is blown from the bustle pipe 12, through the tuyere stock 14 into the furnace hearth of the blast furnace. Additionally, pulverised coal and combustive gas, typically oxygen, is fed through the pulverised coal injection lance 18 into the second portion 14' of the tuyere stock 14. At the lance tip 24, the pulverised coal comes into contact with the oxygen and forms a mixture. The combustion conditions are such that this mixture ignites and a flame burns at the lance tip 24 inside the tuyere 15. The pulverised coal is burnt preferably completely inside the tuyere 15.

As the flame at the lance tip 24 is not stable and does sporadically go out, it is necessary to get the flame to reignite. The reignition of the flame is achieved by temporarily reducing the amount of oxygen fed through the lance 18. This alters the combustion conditions and the flame reignites when the oxygen supply is restored. The temporary reduction of the flow of combustive gas may cause heating and/or turbulences at the lance tip 24, which encourages reignition of the flame.

The determination of whether or not the flame at the lance tip 24 is burning is, according to the present invention, based on systems currently used for determining a blockage of the tuyere 15. Such systems are already installed on blast furnace installations and do therefore not incur any additional costs.

Such blockage detection systems may e.g. include means for measuring a pressure drop in the hot blast air across the first portion 14' of the tuyere stock 14. to this effect, the first portion 14' may comprise a Venturi type cross-section reduction 28.

Such blockage detection systems may alternatively or additionally include detection means 30 arranged in axial alignment with the second portion 14'' of the tuyere stock 14. In the bend 32 joining the first and second portions 14', 14'' of the tuyere stock 14, the latter can comprise an axial extension pipe 34 at the end of which the detection means 30 may be arranged.

The detection means 30 can be a light intensity detector for measuring light intensity in the tuyere 15. A reduction in light intensity can be interpreted as an indication that the flame at the lance tip 24 is no longer burning.

The detection means 30 can be a camera for monitoring an image from the tuyere 15. The captured image can be analysed by an image processor. Changes in some characteristics of the image from the tuyere 15 can also be interpreted as an indication that the flame at the lance tip 24 is no longer burning.

Reference numerals

10	hot blast system	20	inner pipe
12	bustle pipe	22	outer pipe
14	tuyere stock	24	lance tip
16	blast furnace wall	26	exit region
14'	angled first portion	28	cross-section reduction
14''	horizontal second portion	30	detection means
15	tuyere	32	bend
18	pulverised coal injection lance	34	axial extension pipe

Claims

1. A method for feeding pulverised coal into a blast furnace; comprising:
providing a tuyere stock for blowing hot blast air from a bustle pipe into a furnace hearth of a blast furnace through a tuyere installed in an opening in the furnace wall;
5 providing a pulverised coal injection lance for feeding pulverised coal into the tuyere, the pulverised coal injection lance comprising an inner pipe for conveying pulverised coal and an outer pipe, coaxially arranged around the inner pipe, for conveying combustive gas, the inner pipe forming a separation wall for separating the pulverised coal from the combustive gas,
10 the pulverised coal injection lance having a lance tip arranged in the tuyere;
allowing the pulverised coal and the combustive gas to form a mixture of pulverised coal and combustive gas at the lance tip ; and
burning the mixture of pulverised coal and combustive gas in the tuyere
characterised by
15 monitoring whether or not a flame at the lance tip is burning; and
upon determination that the flame at the lance tip is not burning, reigniting the flame by temporarily reducing the flow of combustive gas through the pulverised coal injection lance.
2. The method according to claim 1, wherein
20 while the flow of combustive gas through the pulverised coal injection lance is temporarily reduced, the flow of pulverised coal through the pulverised coal injection lance is maintained.
3. The method according to claim 1 or 2, wherein the monitoring the burning of a flame at the lance tip is carried out continuously.
- 25 4. The method according to any of claims 1 to 3, wherein the monitoring the burning of a flame at the lance tip is carried out by tuyere blockage detection means.

5. The method according to any of claims 1 to 4, comprising:
providing tuyere blockage detection means with pressure sensors for measuring a pressure drop in the hot blast air across a section of tuyere stock upstream of the lance tip; and
5 monitoring the pressure drop across the section of tuyere stock and, based thereon, determine whether or not the flame at the lance tip is burning.
6. The method according to claim 5, wherein the pressure drop is measured between the bustle pipe and a section of tuyere stock upstream of the lance tip.
- 10 7. The method according to claim 5 or 6, wherein it is concluded that the flame at the lance tip is not burning if the pressure drop is increased by a predetermined amount.
8. The method according to claim 7, wherein it is concluded that the flame at the lance tip is not burning if the pressure drop is increased by a
15 predetermined amount for a predetermined amount of time.
9. The method according to any of claims 1 to 8, comprising:
providing the tuyere stock with a substantially horizontal blow pipe for blowing hot blast air into the furnace hearth of the blast furnace;
providing tuyere blockage detection means with a light intensity detector
20 arranged in axial alignment with the blow pipe; and
monitoring the light intensity in the tuyere and, based thereon, determine whether or not the flame at the lance tip is burning.
10. Method according to claim 9, wherein it is concluded that the flame at the lance tip is not burning if the light intensity in the tuyere is reduced by a
25 predetermined amount.
11. The method according to claim 10, wherein it is concluded that the flame at the lance tip is not burning if the light intensity in the tuyere is reduced by a predetermined amount for a predetermined amount of time.
12. The method according to any of claims 1 to 11, comprising:

- providing the tuyere stock with a substantially horizontal blow pipe for blowing hot blast air into the furnace hearth of the blast furnace;
- providing tuyere blockage detection means with a camera arranged in axial alignment with the blow pipe; and
- 5 monitoring an image in the tuyere and, based thereon, determine whether or not the flame at the tip of the pulverised coal injection lance is burning.
13. The method according to claim 12, wherein it is concluded that the flame at the lance tip is not burning if the image from the tuyere changes according to a predetermined scheme.
- 10 14. The method according to claim 12 or 13, wherein it is concluded that the flame at the lance tip is not burning if the image from the tuyere has sufficient similarity with a predetermined paragon image.
15. The method according to any of claims 12 to 14, wherein the image from the tuyere is analysed by means of an image processing algorithm.
- 15 16. The method according to any of claims 1 to 3, comprising:
- providing the tuyere stock with a substantially horizontal blow pipe for blowing hot blast air into the furnace hearth of the blast furnace;
- providing temperature measurement means arranged in axial alignment with the blow pipe; and
- 20 monitoring a temperature in or near the tuyere and, based thereon, determine whether or not the flame at the tip of the pulverised coal injection lance is burning.

INTERNATIONAL SEARCH REPORT

International application No
PCT/EP2009/056211

A. CLASSIFICATION OF SUBJECT MATTER

INV. F27B1/16 C21B5/00 C21B7/16

According to International Patent Classification (IPC) or to both national classification and IPC

B. FIELDS SEARCHED

Minimum documentation searched (classification system followed by classification symbols)

C21B F27B F27D F23N

Documentation searched other than minimum documentation to the extent that such documents are included in the fields searched

Electronic data base consulted during the international search (name of data base and, where practical, search terms used)

EPO-Internal, WPI Data

C. DOCUMENTS CONSIDERED TO BE RELEVANT

Category*	Citation of document, with indication, where appropriate, of the relevant passages	Relevant to claim No.
X	EP 1 060 272 B (PO HANG IRON & STEEL [KR]) 17 December 2003 (2003-12-17) cited in the application	1
Y	paragraph [0027]; claims 1-3; figures 1-3	2-16
Y	MAKIENKO V G ET AL: "MONITORING AND REGULATING THE THERMAL REGIME OF THE TUYERE REGIONS IN A BLAST FURNACE" METALLURGIST, CONSULTANTS BUREAU. NEW YORK, US, vol. 42, no. 3/04, 1 March 1998 (1998-03-01), pages 136-139, XP000785137 ISSN: 0026-0894 *page 136, last paragraph-page 137 second paragraph* *Fig. 1-3*	2-16

 Further documents are listed in the continuation of Box C. See patent family annex.

* Special categories of cited documents :

- *A* document defining the general state of the art which is not considered to be of particular relevance
- *E* earlier document but published on or after the international filing date
- *L* document which may throw doubts on priority claim(s) or which is cited to establish the publication date of another citation or other special reason (as specified)
- *O* document referring to an oral disclosure, use, exhibition or other means
- *P* document published prior to the international filing date but later than the priority date claimed

- *T* later document published after the international filing date or priority date and not in conflict with the application but cited to understand the principle or theory underlying the invention
- *X* document of particular relevance; the claimed invention cannot be considered novel or cannot be considered to involve an inventive step when the document is taken alone
- *Y* document of particular relevance; the claimed invention cannot be considered to involve an inventive step when the document is combined with one or more other such documents, such combination being obvious to a person skilled in the art.
- * & * document member of the same patent family

Date of the actual completion of the international search

18 August 2009

Date of mailing of the international search report

28/08/2009

Name and mailing address of the ISA/

European Patent Office, P.B. 5818 Patentlaan 2
NL - 2280 HV Rijswijk
Tel. (+31-70) 340-2040,
Fax: (+31-70) 340-3016

Authorized officer

Gavrilu, Alexandru

INTERNATIONAL SEARCH REPORT

International application No
PCT/EP2009/056211

C(Continuation). DOCUMENTS CONSIDERED TO BE RELEVANT		
Category*	Citation of document, with indication, where appropriate, of the relevant passages	Relevant to claim No.
Y	JP 2006 183114 A (NIPPON STEEL CORP) 13 July 2006 (2006-07-13) abstract; figure 1B -----	2-16
Y	JP 02 263907 A (SUMITOMO METAL IND) 26 October 1990 (1990-10-26) abstract -----	2-16
Y	US 4 368 678 A (ULVELING LEON [LU]) 18 January 1983 (1983-01-18) column 9, line 39 - column 11, line 35; claims 1-4,7; figure 6 -----	2-16
Y	US 5 397 108 A (ALEXANDER JAMES M [US] ET AL) 14 March 1995 (1995-03-14) claims 1,2 -----	2-16
Y	JP 60 125307 A (KAWASAKI STEEL CO) 4 July 1985 (1985-07-04) abstract; figure 1 -----	2-16
Y	US 5 481 247 A (ALEXANDER JAMES M [US] ET AL) 2 January 1996 (1996-01-02) claims 1-8 -----	2-16
A	US 6 080 223 A (MAVRONIS NICHOLAS S [US]) 27 June 2000 (2000-06-27) column 1, line 5 - column 3, line 10; claims 1-16 -----	1-16

INTERNATIONAL SEARCH REPORT

Information on patent family members

International application No

PCT/EP2009/056211

Patent document cited in search report		Publication date	Patent family member(s)	Publication date
EP 1060272	B	17-12-2003	CN 1275168 A	29-11-2000
			DE 69913664 D1	29-01-2004
			DE 69913664 T2	30-09-2004
			EP 1060272 A1	20-12-2000
			JP 3379946 B2	24-02-2003
			JP 2002522639 T	23-07-2002
			WO 0009763 A1	24-02-2000
			US 6319458 B1	20-11-2001
JP 2006183114	A	13-07-2006	JP 4288230 B2	01-07-2009
JP 2263907	A	26-10-1990	NONE	
US 4368678	A	18-01-1983	AR 227295 A1	15-10-1982
			AU 6453980 A	02-07-1981
			BR 8008576 A	21-07-1981
			CA 1154251 A1	27-09-1983
			EP 0032206 A1	22-07-1981
			ES 8201729 A1	16-03-1982
			JP 56098408 A	07-08-1981
			LU 82036 A1	23-04-1980
			PL 228695 A1	07-08-1981
			ZA 8007243 A	25-11-1981
US 5397108	A	14-03-1995	NONE	
JP 60125307	A	04-07-1985	NONE	
US 5481247	A	02-01-1996	NONE	
US 6080223	A	27-06-2000	NONE	