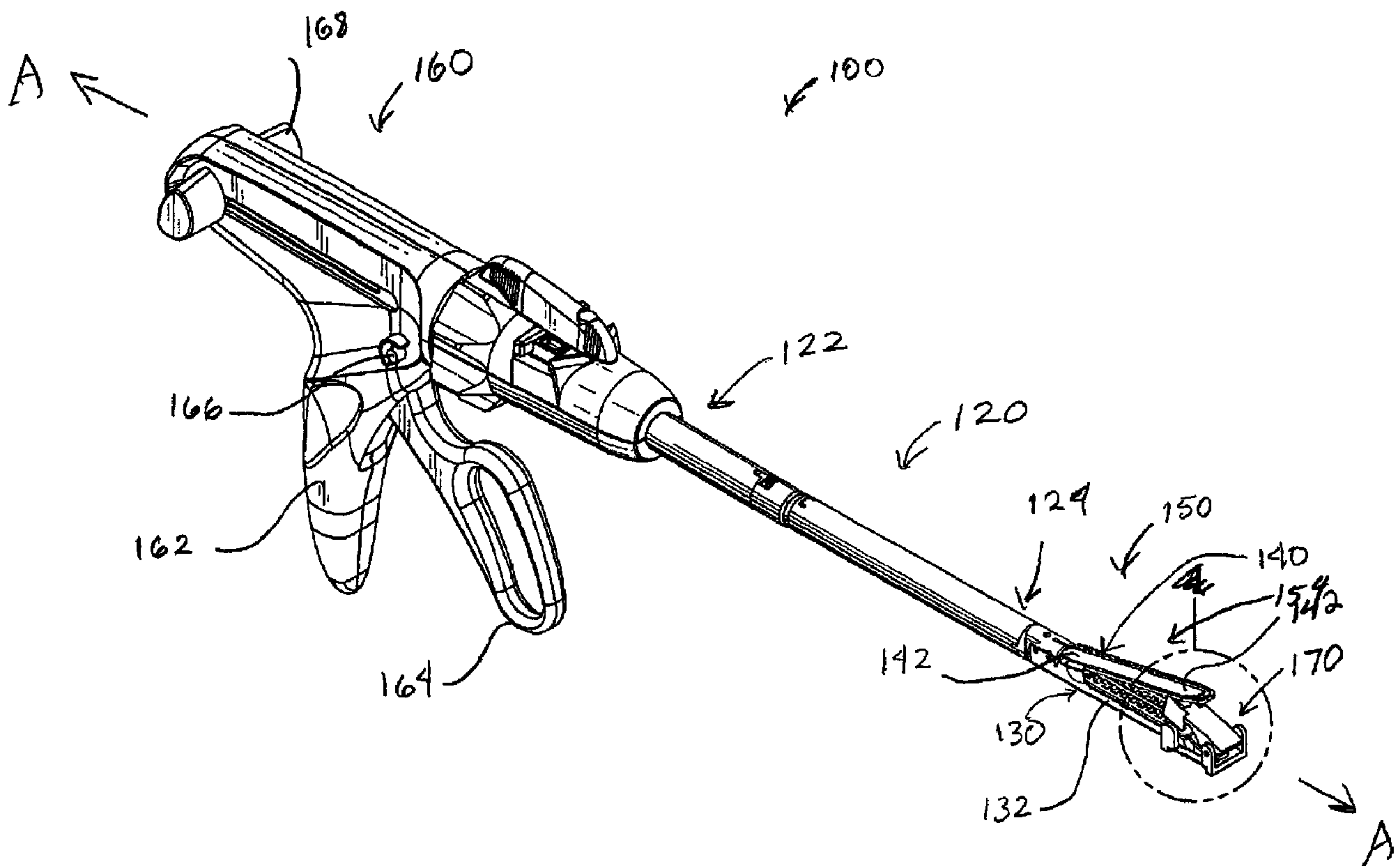




(22) Date de dépôt/Filing Date: 2009/08/21
(41) Mise à la disp. pub./Open to Public Insp.: 2010/03/23
(30) Priorité/Priority: 2008/09/23 (US12/235,751)

(51) Cl.Int./Int.Cl. *A61B 17/03* (2006.01),
A61B 17/28 (2006.01)
(71) Demandeur/Applicant:
TYCO HEALTHCARE GROUP LP, US
(72) Inventeur/Inventor:
FARASCIONI, DAVID, US
(74) Agent: MCFADDEN, FINCHAM

(54) Titre : BUTEE POUR INSTRUMENT CHIRURGICAL
(54) Title: TISSUE STOP FOR SURGICAL INSTRUMENT



(57) Abrégé/Abstract:

A surgical instrument including a handle assembly, an elongated portion, an end effector, and a stop member is disclosed. The elongated portion extends distally from the handle assembly. The end effector is disposed adjacent a distal portion of the elongated portion and includes a first jaw member and a second jaw member. At least one jaw member is movable with respect to the other jaw member.

(57) **Abrégé(suite)/Abstract(continued):**

member between spaced and approximated positions. The stop member is disposed adjacent a distal portion of the first jaw member and is pivotable with respect to the first jaw member between a first position, a significant portion of the stop member being positioned external to the first jaw member, and a second position capturing the tissue between the first jaw member and second jaw member.

ABSTRACT

A surgical instrument including a handle assembly, an elongated portion, an end effector, and a stop member is disclosed. The elongated portion extends distally from the handle assembly. The end effector is disposed adjacent a distal portion of the elongated portion and includes a first jaw member and a second jaw member. At least one jaw member is movable with respect to the other jaw member between spaced and approximated positions. The stop member is disposed adjacent a distal portion of the first jaw member and is pivotable with respect to the first jaw member between a first position, a significant portion of the stop member being positioned external to the first jaw member, and a second position capturing the tissue between the first jaw member and second jaw member.

TISSUE STOP FOR SURGICAL INSTRUMENT

BACKGROUND

Technical field

[0001] The present disclosure relates generally to surgical instruments and, more specifically, to surgical instruments for surgically joining tissue.

Background of Related Art

[0002] Surgical stapling instruments used for applying parallel rows of staples through compressed living tissue are well known in the art. These surgical instruments are commonly employed for closing tissue or organs prior to transaction or resection, for occluding organs in thoracic and abdominal procedures, and for fastening tissue in anastomoses.

[0003] Typically, such surgical stapling instruments include an anvil assembly, a cartridge assembly for supporting an array of surgical staples, an approximation mechanism for approximating the anvil and cartridge and anvil assemblies, and a firing mechanism for ejecting the surgical staples from the cartridge assembly.

[0004] In use, a surgeon generally initially approximates the anvil and cartridge members. Next, the surgeon can fire the instrument to place staples in tissue. Additionally, the surgeon may use the same instrument or a separate instrument to cut the tissue adjacent or between the row(s) of staples. Alternatively, the surgical stapling instrument can sequentially eject the staples while the anvil and cartridge are approximated.

SUMMARY

[0005] The present disclosure relates to a surgical instrument for surgically joining tissue. The surgical instrument includes a handle assembly, an elongated portion, an end

effector, and a stop member. The elongated portion extends distally from the handle assembly. The end effector is disposed adjacent a distal portion of the elongated portion and includes a first jaw member and a second jaw member. At least one jaw member is movable with respect to the other jaw member between spaced and approximated positions. The stop member is disposed adjacent a distal portion of the first jaw member and is pivotable with respect to the first jaw member between a first position, a significant portion of the stop member being positioned external to the first jaw member and a second position capturing the tissue between the first and second jaw member.

[0006] In various embodiments, the cartridge is curved with respect to the longitudinal axis.

[0007] The surgical instrument may further include a biasing member disposed in mechanical cooperation with the stop member, wherein the biasing member biases stop member towards its first position.

[0008] In certain embodiments, the stop member includes a base and a stopping portion, the base being operatively connected to the stopping portion. In some embodiments, the stopping portion is pivotally connected to the base. Alternatively, the stop member may be pivotally coupled to the first jaw member.

[0009] The first jaw member may include a knife channel. The stop member may further include a first leg and a second leg positioned on opposite sides of the knife channel.

[0010] The surgical instrument may additionally include first and second slots disposed on the first jaw member. Each of the first and second slots are adapted to receive at least a portion of one of the first and second legs therein. In some embodiments, each of the first and second legs is configured to move at least partially through the first or second slot when the stop member moves towards its second position.

[0011] In addition, the present disclosure relates to a tool assembly for use with a surgical instrument. Generally, this tool assembly includes an end effector and a stop member.

The end effector has a first jaw member and a second jaw member. At least one jaw member being movable with respect to the other jaw member between spaced and approximated positions. The stop member is disposed adjacent a distal portion of the first jaw member and is pivotable with respect to the first jaw member between a first position wherein at least a portion of the stop member is positioned external to the first jaw member, and a second position capturing the tissue between the first jaw member and the second jaw member, wherein at least a portion of the stop member is positioned at least partially below a tissue-contacting surface of the first jaw member, wherein the relative movement of the jaw members toward the approximated position causes at least a portion of the stop member to move toward the first jaw member.

[0012] In some embodiments, the end effector includes a longitudinally curvilinear shape. Further, in certain embodiments, the stop member is biased toward the first position. The first jaw member may include at least one slot formed therein. This slot is configured to receive at least a portion of the stop member.

[0013] The present disclosure also relates to a stop member configured for use with a surgical instrument. The stop member includes a base portion configured to mechanically engage a jaw member of a surgical instrument, and a stopping portion. The stopping portion is pivotably engaged with the base portion and is movable between a first position and a second position. In the first position, the stopping portion is configured to facilitate tissue being moved proximally with respect to the stopping portion. In the second position, the stopping portion is configured to inhibit tissue from translating distally past the stopping portion.

BRIEF DESCRIPTION OF FIGURES

[0014] Various embodiments of the presently disclosed surgical instrument are disclosed herein with reference to the drawings, wherein:

[0015] FIG. 1 is a perspective view of an embodiment of the surgical instrument of the present disclosure;

[0016] FIGS. 2-4 are perspective views of a portion of the surgical instrument of FIG. 1, showing a stop member in a first position;

[0017] FIGS. 5-7 are side views of an end effector of the surgical instrument of FIG. 1, shown at different stages of operation;

[0018] FIG. 8 is a perspective view of a portion of the surgical instrument of FIG. 1, showing a stop member adjacent its second position;

[0019] FIG. 9 is a perspective view of a curved jaw member according to another embodiment of the present disclosure, showing a stop member in a first position;

[0020] FIG. 10 is a perspective exploded view of the curved jaw member of FIG. 9;

[0021] FIG. 11 is a perspective view of the curved jaw member of FIG. 9, showing the cross-section of a distal portion taken along section line 11-11 of FIG. 9; and

[0022] FIG. 12 is a perspective view of the curved jaw member of FIG. 9, showing the stop member in a second position.

5.

DETAILED DESCRIPTION

[0023] Embodiments of the presently disclosed surgical instrument are described in detail with reference to the drawings, wherein like reference numerals designate similar or identical elements in each of the several views. In the drawings and the description that follows, the term "proximal" refers to the end of the surgical instrument that is closest to the operator, whereas the term "distal" refers to the end of the surgical instrument that is farthest from the operator. As appreciated by one skilled in the art, the depicted surgical instrument fires staples, but it may be adapted to fire any other suitable fastener such as clips and two-part fasteners. Additionally, the disclosed stop member may be used with an electro-surgical forceps. Further details of electro-surgical forceps are described in commonly-owned Patent Application No.

10/369,894, filed on February 20, 2003, entitled VESSEL SEALER AND DIVIDER AND METHOD OF MANUFACTURING THE SAME, the entire contents of which are hereby incorporated by reference herein.

[0024] With reference to FIG. 1, reference numeral 100 designates an embodiment of the presently disclosed surgical instrument. In the interest of brevity, the present disclosure focuses on an end effector and a stop member of surgical instrument 100. U.S. Patent Applications Publication Nos. 2008/0105730, filed on November 28, 2007; 2008/0110960, filed on January 8, 2008; 2008/0142565, filed on January 24, 2008; 2008/0041916, filed on October 15, 2007 and U.S. Provisional Patent Application Serial Nos. 61/050273, filed on May 5, 2008 and 11/786,198, filed on April 10, 2007 describe in detail the structure and operation of other surgical fastening assemblies. The entire contents of these prior applications are incorporated herein by reference. Any of the surgical fastening assemblies disclosed in the cited patent applications may include the presently disclosed stop member.

[0025] Surgical instrument 100 is configured to clamp, fasten, and/or cut tissue. In general, surgical instrument 100 includes a handle assembly 160, an elongate portion 120 extending distally from handle assembly 160 and defining a longitudinal axis "A-A," and a tool assembly 150 adapted to clamp and fasten tissue. Elongate portion 120 has a proximal portion 122 and a distal portion 124 and operatively couples handle assembly 160 with tool assembly 150. Tool assembly 150 includes end effector 154 and stop member 170. End effector 154, which is disposed adjacent distal portion 124 of elongated portion 120, includes a first jaw member 130 and a second jaw member 140. At least one of the jaw members 130, 140 is adapted to move relative to the other jaw member (130 or 140) between spaced and approximated positions. In the illustrated embodiment, first jaw member 130 contains a cartridge assembly 132, while second jaw member 140 includes an anvil assembly 142. As discussed below, anvil assembly 142 moves with respect to cartridge assembly 132 between spaced and approximated positions upon actuation of handle assembly 160, for example.

However, it is also envisioned that other methods of approximating the jaw members are also usable, including sliding a clamp bar 168.

[0026] Handle assembly 160 includes a stationary handle 162 and a movable handle 164. Movable handle 164 is adapted to move pivotally toward or away from stationary handle 162. Further, movable handle 164 is operatively connected to anvil assembly 140 through a mechanism adapted to convert at least a partial actuation of movable handle 164 into a pivoting motion of at least one of cartridge assembly 132 and anvil assembly 142 between spaced and approximated positions. As recognized by one skilled in the art, any conventional actuation mechanism may be employed to operatively couple movable handle 164 to tool assembly 150.

[0027] With reference to FIGS. 2-5, cartridge assembly 132 has a tissue-contacting surface 134 and a plurality of fastener retaining slots 136. Tissue-contacting surface 134 generally faces anvil assembly 142 (see FIG. 1) and, during operation, engages tissue when the anvil assembly 142 is approximated with cartridge assembly 132. Fastener retaining slots 136 are arranged in rows along tissue contacting surface 134. Each fastener retaining slot 136 is adapted to hold a fastener (not shown) until a user actuates handle assembly 160 (see FIG. 1), for example. When movable handle 164 is pivoted toward stationary handle 162, the fasteners are ejected from fastener retaining slots 134 and move toward anvil assembly 142.

[0028] In addition to fastener retaining slots 134, cartridge assembly 132 has a knife channel 138 adapted to slidably receive a knife (not shown) or any other suitable cutting tool. Knife channel 138 is disposed between rows of fastener retaining slots 136 and extends along tissue-contacting surface 134. In operation, a knife (not shown) slides through knife channel 138 when movable handle 164 pivots toward stationary handle 162. Alternatively, other mechanisms can be used to drive the knife through knife channel 138. In addition to knife channel 138, cartridge assembly 132 has a pair of slots 139 formed on tissue-contacting surface 134. Each slot 139 provides access to an inner portion of cartridge assembly 132 and is configured to receive portions of stop member 170.

[0029] In disclosed embodiments, handle assembly 160 contains an actuation mechanism for deploying the fasteners from fastener retaining slots 136 and advancing a knife along knife channel 138. This actuation mechanism includes a firing rod operatively connected to movable handle 164. In operation, pivoting movable handle 164 toward stationary handle 162 causes firing rod to advance distally. Firing rod is in turn operatively coupled to an axial drive assembly at least partially positioned within tool assembly 150. Axial drive assembly is configured to move distally in response to a distal translation of firing rod. The distal translation of axial drive assembly causes second jaw member 140 to pivot toward first jaw member 130. In addition, the axial drive assembly pushes an actuation sled disposed within first jaw member 130 in a distal direction, while the actuation sled translates distally through end effector 154. As the actuation sled advances distally through first jaw member 130, this actuation sled urges the fasteners out of the fastener retaining slots 136. In one embodiment, axial drive assembly includes a blade mounted on a distal portion thereof. In operation, this knife moves through knife channel 138 when axial drive assembly moves distally through end effector 154.

[0030] Stop member 170 is disposed adjacent a distal portion 137 of first jaw member 130 (which is shown as cartridge assembly 132, but may also be anvil assembly 142). The stop member 170 is pivotable with respect to the first jaw member 130 between a first position, as illustrated in FIG. 5, and a second position, as depicted in FIG. 7. In the first position, at least a portion of stop member 170 is located external to the first jaw member 130, whereas, in the second position, at least a portion of stop member 170 is positioned at least partially below tissue-contacting surface 134 of first jaw member 130. In various embodiments, a significant portion of stop member 170 is disposed external to the first jaw member 130 when stop member 170 is located in the first position. It is envisioned that the term "significant" means that at least half of each leg 177 of stop portion 170 is disposed external to the first jaw member 130 when stop member 170 is located in the first position. Additionally, as used herein, "significant" may

mean that more than one-third of stop member 170 is disposed external to the first jaw member 130 when stop member 170 is located in the first position

[0031] Stop member 170 includes a base 172 adapted to engage an outer surface of distal portion 137 of first jaw member 130 and a stopping portion 174 adapted to engage tissue. A pivot pin 176, or any other suitable apparatus, pivotally connects stopping portion 174 to base 172. Consequently, stopping portion 174 is configured to pivot away and toward tissue-contacting surface 134. In one embodiment, stop member 170 includes a biasing member (e.g., a spring) for biasing stopping portion 174 away from first jaw member 130.

[0032] Stopping portion 174 contains a body 175 and at least one leg 177 extending proximally from body 175. In the embodiment depicted in FIG. 2, stopping portion 174 has two legs 177 extending proximally from body 175. Stopping portion 174 may nonetheless include more or fewer legs 177. The two legs 177 shown in FIG. 2 define a space therebetween adapted to receive a knife. Each leg 177 is dimensioned to be received within a slot 139 and includes a proximal surface 173. When stop member 170 is located in the first position, each proximal surface 173 defines an oblique angle relative to tissue-contacting surface 134, as seen in FIG. 5. Conversely, when stop member 170 is located in the second position (see FIG. 7), each proximal surface 173 defines an angle substantially perpendicular to tissue-contacting surface 134. Irrespective of the position of stop member 170, legs 177 are shown positioned on opposite sides of knife channel 138. Slots 139, which are dimensioned to receive legs 177, are accordingly located on opposite sides of knife channel 138 as well.

[0033] Referring to FIGS. 6-8, stop member 170 facilitates retention of tissue between first and second jaw members 130, 140 during the operation of surgical instrument 100. (See FIG. 1). That is, stop member 170 helps prevent tissue from migrating or translating distally past its intended placement between the jaw members. In use, a user initially positions surgical instrument 100 adjacent a target tissue. Particularly, the target tissue is placed between first and second jaw members 130, 140. The angle defined by body 175 relative to tissue-contacting

surface 136 facilitates introduction of the target tissue "T" into tool assembly 150 in the general direction of arrow "A," as seen in FIG. 6. Once the user has placed at least a portion of the target tissue between first and second jaw members 130, 140, the user pulls movable handle 164 toward stationary handle 162 to approximate anvil assembly 152 toward cartridge assembly 132. While the user pulls movable handle 164, anvil assembly 152 moves closer to cartridge assembly 132 and the target tissue "T" is captured between tissue-contacting surface 134 of cartridge assembly 132. At the same time, anvil assembly 142 urges stopping portion 174 toward cartridge assembly 132. In response to the force exerted by the anvil assembly 142 on stopping portion 174, stopping portion 174 pivots about pivot pin 176 toward cartridge assembly 132, e.g., against the bias of biasing member (not shown). While stopping portion 174 moves closer to cartridge assembly 134, at least a portion of legs 177 move to an inner portion of cartridge assembly 132 through slots 139, as seen in FIG. 7. When stop member 170 is in the second position (as shown in FIG. 7), a portion of legs 177 is located within cartridge assembly 132; correspondingly, a portion of proximal surfaces 173 is located outside of cartridge assembly 132. As discussed above, proximal surfaces 173 define a substantially orthogonal angle relative to tissue-contacting surface 134 when stop member 170 is in the second position, thereby hindering the escape of tissue during clamping.

[0034] The present disclosure also contemplate stop member 170 being releasably attachable to end effector 150 via conventional mechanical means, e.g., bayonet coupling, latch, detent or snap-fit connection.

[0035] With reference to FIGS. 9-12, another embodiment of first jaw member 230 is envisioned. First jaw member 230 of this embodiment has a curved shape (i.e., with respect to longitudinal axis "A-A"). It is envisioned that curved jaw members may facilitate performing certain types of surgical procedures. For example, curved jaw members, as compared to straight jaw members (such as the jaw members illustrated in FIG. 1), may help facilitate access to lower pelvic regions, e.g., during lower anterior resection ("LAR") or other colo-rectal surgery.

[0036] First jaw member 230 includes an opening 239 (FIG. 10) adapted to receive both legs 277 of stop portion 270 instead of two slots 139 each capable of receiving a leg 177 of stop member 170. Stop member 270 is similar to stop member 170. However, stop member 270 has a stopping portion 274 directly connected to a distal portion 237 of first jaw member 230. Distal portion 237 contains a hole 235 (FIG. 10) adapted to receive a pivot pin 276. Pivot pin 276, or any other suitable apparatus, pivotally couples stop member 270 to first jaw member 230.

[0037] In general, first jaw member 230 includes a curved housing 231 and a curved cartridge assembly 232. Housing 231 has a curved channel 233 adapted to receive curved cartridge assembly 232. Curved cartridge assembly 232 contains a tissue-contacting surface 234 configured to engage tissue, rows of fastener retaining slots 236 extending along its curved profile, and a knife channel 238 adapted to slidably receive a knife (not shown). Knife channel 238 is disposed between the rows of fastener retaining slots 236.

[0038] As discussed above, actuating handle assembly 160 not only ejects the fasteners, but also drives a knife along knife channel 238 (e.g., via a single stroke or multiple strokes of movable handle 164). Knife channel 238 leads to an opening 239 formed on distal portion 237 of cartridge assembly 232. A recess 280 is positioned distally of opening 239 and includes an inclined wall 282 (see FIG. 11) defining an oblique angle relative to tissue-contacting surface 234 and is adapted to receive a portion of stop member 270 therein. In addition to inclined wall 282, recess 280 has a cavity 284 adapted to receive a portion of stop member 270.

[0039] Stop member 270 includes a body 275, a pair of legs extending proximally from body 275, and a pivoting protrusion 286 extending transversely from body 275. Legs 277 define a space therebetween dimensioned to receive a knife. Each leg 277 has a proximal surface 273 that defines an oblique angle relative to tissue-contacting surface 234 when stop portion 270 is in the first position, as shown in FIG. 9, and a substantially perpendicular angle relative to

tissue-contacting surface 234 when stop portion 270 is in the second position, as illustrated in FIG. 12.

[0040] Body 275 defines an oblique angle with respect to the tissue-contacting surface 234. Pivoting protrusion 286 of stop member 270 is adapted to be received within cavity 284 and has a hole 288 configured to receive pivot pin 276. Pivot pin 276 extends through hole 235 of cartridge assembly 270 and hole 280 of pivoting protrusion 286 and allows stop member 270 to pivot from a first position where at least a portion of the stop member 270 is positioned external to first jaw member 230, as seen in FIG. 9, and a second position where at least a portion of stop member 270 is positioned at least partially below a tissue-contacting surface 234 of the first jaw member 230, as seen in FIG. 12.

[0041] As seen in FIG. 11, body 276 additionally contains a thru-hole 290 leading to inclined wall 282 and an abutment wall 292 protruding toward thru-hole 290. Abutment wall 292 is configured to hold a first end 294a of a biasing member 294, and inclined wall 282 is adapted to support a second end 294b of biasing member 294. Biasing member 294 biases stop member 270 towards its first position. In the embodiment depicted in FIGS. 10 and 11, biasing member 294 is a spring, but biasing member 294 can alternatively be any suitable apparatus or means capable of biasing stop member 270 away from first jaw member 230.

[0042] The operation of first jaw member 230 is substantially similar to the operation of first jaw member 130. First jaw member 230 works jointly with an anvil assembly to cut and/or fasten tissue. As a user actuates handle assembly 160, the jaw members approximate, which urges stop member 230 from the first position (see FIG. 9) to a second position (see FIG. 12). In the first position, the orientation of stop member 230 facilitates the introduction of tissue between first jaw member 230 and an anvil assembly. Further, stop member 230 inhibits tissue from distally escaping the tool assembly when stop member 230 is oriented in its second position. When the anvil assembly moves away from first jaw member 230, stop member 230, under the influence of biasing member 294, returns to its first position.

[0043] It will be understood that various modifications may be made to the embodiments of the presently disclosed surgical instruments. Therefore, the above description should not be construed as limiting, but merely as exemplifications of embodiments. Those skilled in the art will envision other modifications within the scope and spirit of the present disclosure.

What is claimed is:

1. A surgical instrument for surgically joining tissue, the surgical instrument comprising:
 - a handle assembly;
 - an elongated portion extending distally from the handle assembly and defining a longitudinal axis;
 - an end effector disposed adjacent a distal portion of the elongated portion, the end effector including a first jaw member and a second jaw member, at least one jaw member being movable with respect to the other jaw member between spaced and approximated positions;
 - a stop member disposed adjacent a distal portion of the first jaw member, the stop member being pivotable with respect to the first jaw member between a first position, a significant portion of the stop member being positioned external to the first jaw member, and a second position capturing the tissue between the first jaw member and second jaw member.
2. The surgical instrument of claim 1, wherein the cartridge is curved with respect to the longitudinal axis.
3. The surgical instrument of claim 1, further comprising a biasing member disposed in mechanical cooperation with the stop member, wherein the biasing member biases stop member towards its first position.
4. The surgical instrument of claim 1, wherein the stop member includes a base and a stopping portion, the base being operatively connected to the stopping portion.
5. The surgical instrument of claim 4, wherein the stopping portion is pivotally connected to the base.

6. The surgical instrument of claim 1, wherein the stop member is pivotally coupled to the first jaw member.
7. The surgical instrument of claim 1, wherein the first jaw member includes a knife channel.
8. The surgical instrument of claim 7, further comprising a first leg and a second leg of the stop member, the first leg and the second leg being positioned on opposite sides of the knife channel.
9. The surgical instrument of claim 8, further comprising first and second slots disposed on the first jaw member, each of the first and second slots being adapted to receive at least a portion of one of the first and second legs therein.
10. The surgical instrument of claim 9, wherein each of the first and second legs is configured to move at least partially through the first or second slot when the stop member moves towards its second position.
11. A tool assembly for use with a surgical instrument, the tool assembly comprising:
 - an end effector including a first jaw member and a second jaw member, at least one jaw member being movable with respect to the other jaw member between spaced and approximated positions;
 - a stop member disposed adjacent a distal portion of the first jaw member, the stop member being pivotable with respect to the first jaw member between a first position wherein at least a portion of the stop member is positioned external to the first jaw member, and a second position capturing the tissue between the first jaw member and second jaw member, wherein

the relative movement of the jaw members toward the approximated position causes at least a portion of the stop member to move toward the first jaw member.

12. The tool assembly of claim 11, wherein the end effector includes a longitudinally curvilinear shape.

13. The tool assembly of claim 11, wherein the stop member is biased toward the first position.

14. The tool assembly of claim 11, wherein the first jaw member includes at least one slot formed therein, the at least one slot being configured to receive at least a portion of the stop member.

15. A method of fastening tissue with surgical fasteners, comprising:
disposing the tissue between a first jaw member and a second jaw member;
pivoting the first jaw member with respect to the second jaw member to engage the tissue; and
pivoting a stop member disposed between the first jaw member and the second jaw member to maintain the tissue between the first jaw member and second jaw member, the stop member being disposed at distal ends of the jaws.

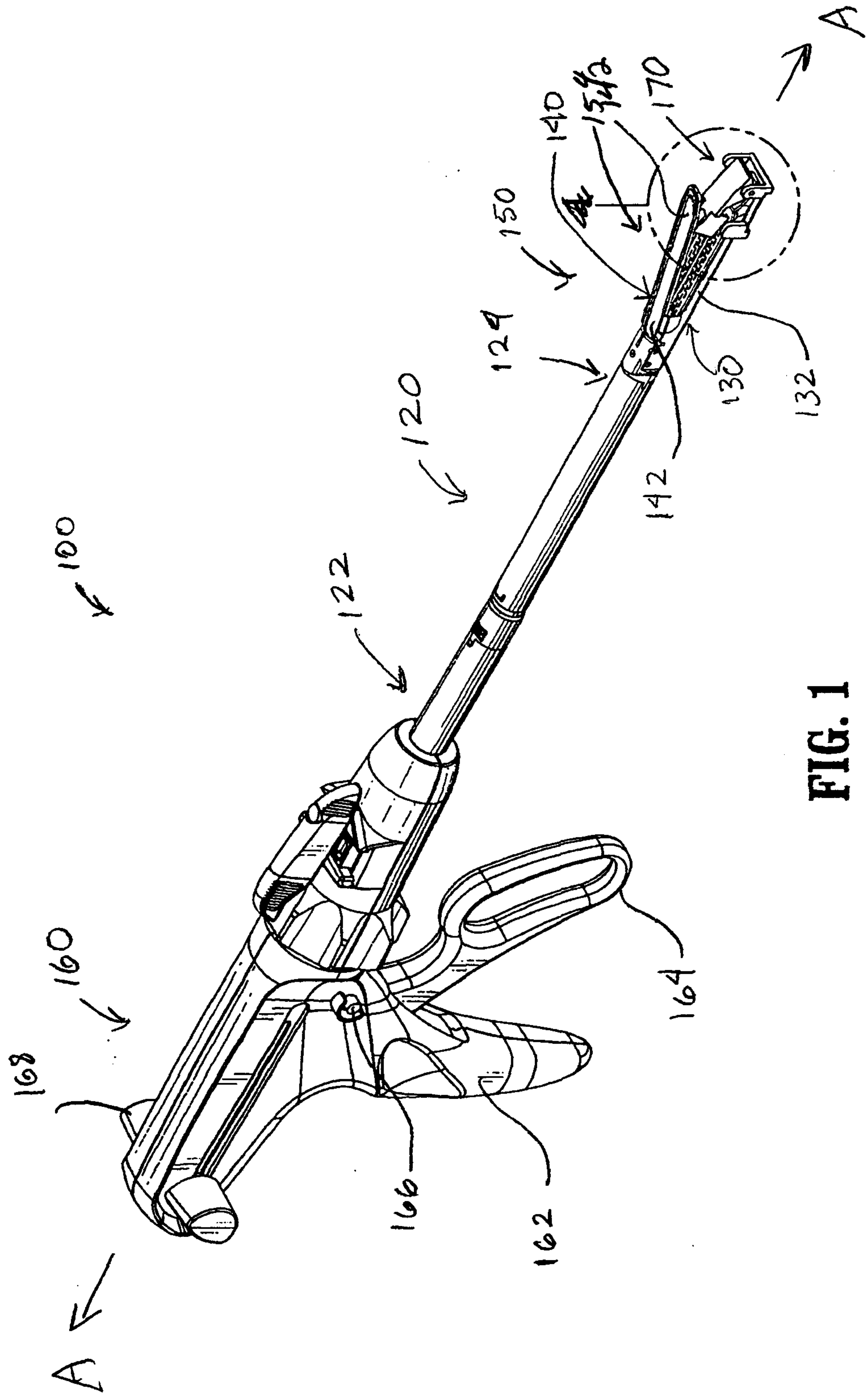


FIG. 1

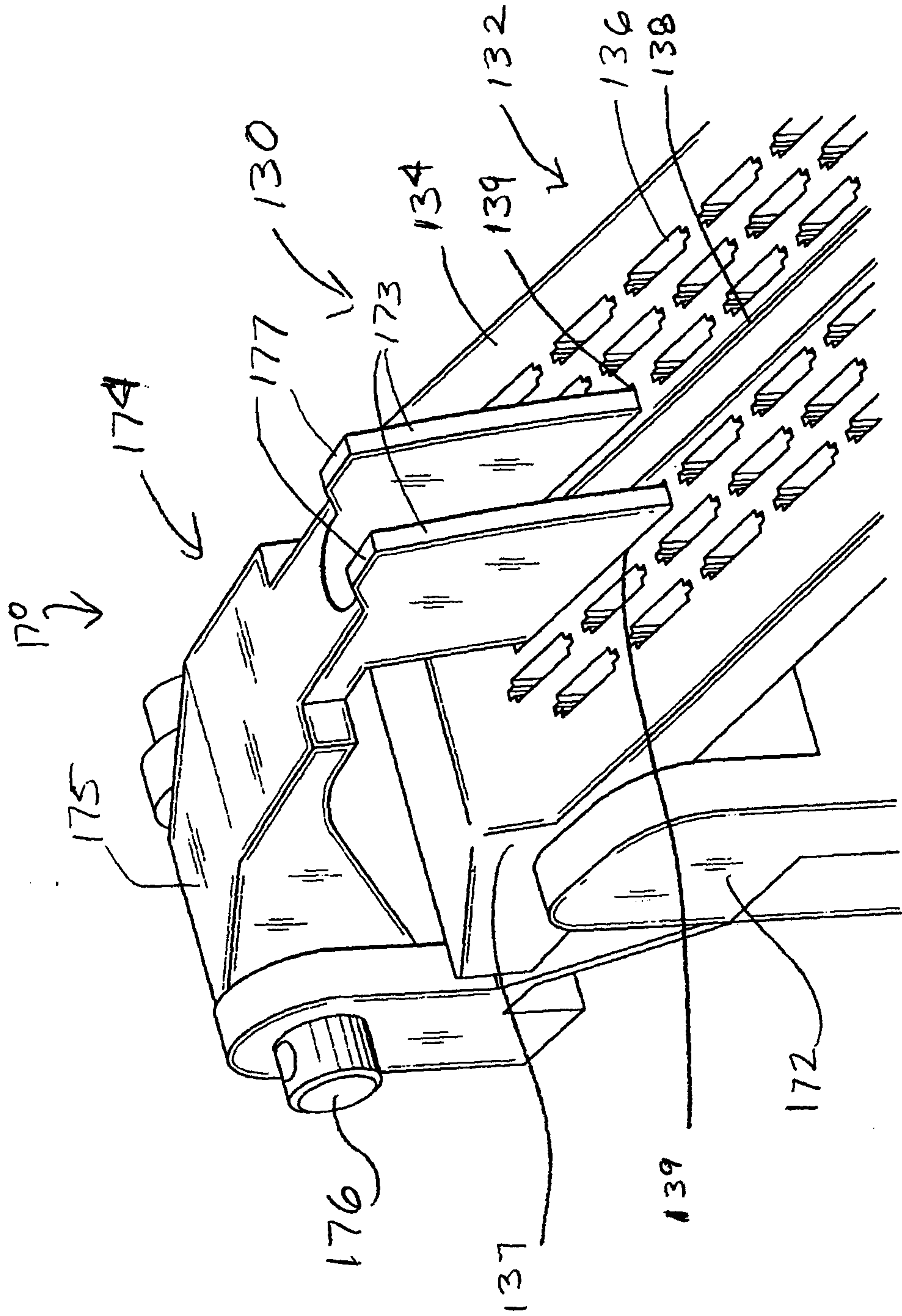


FIG. 2

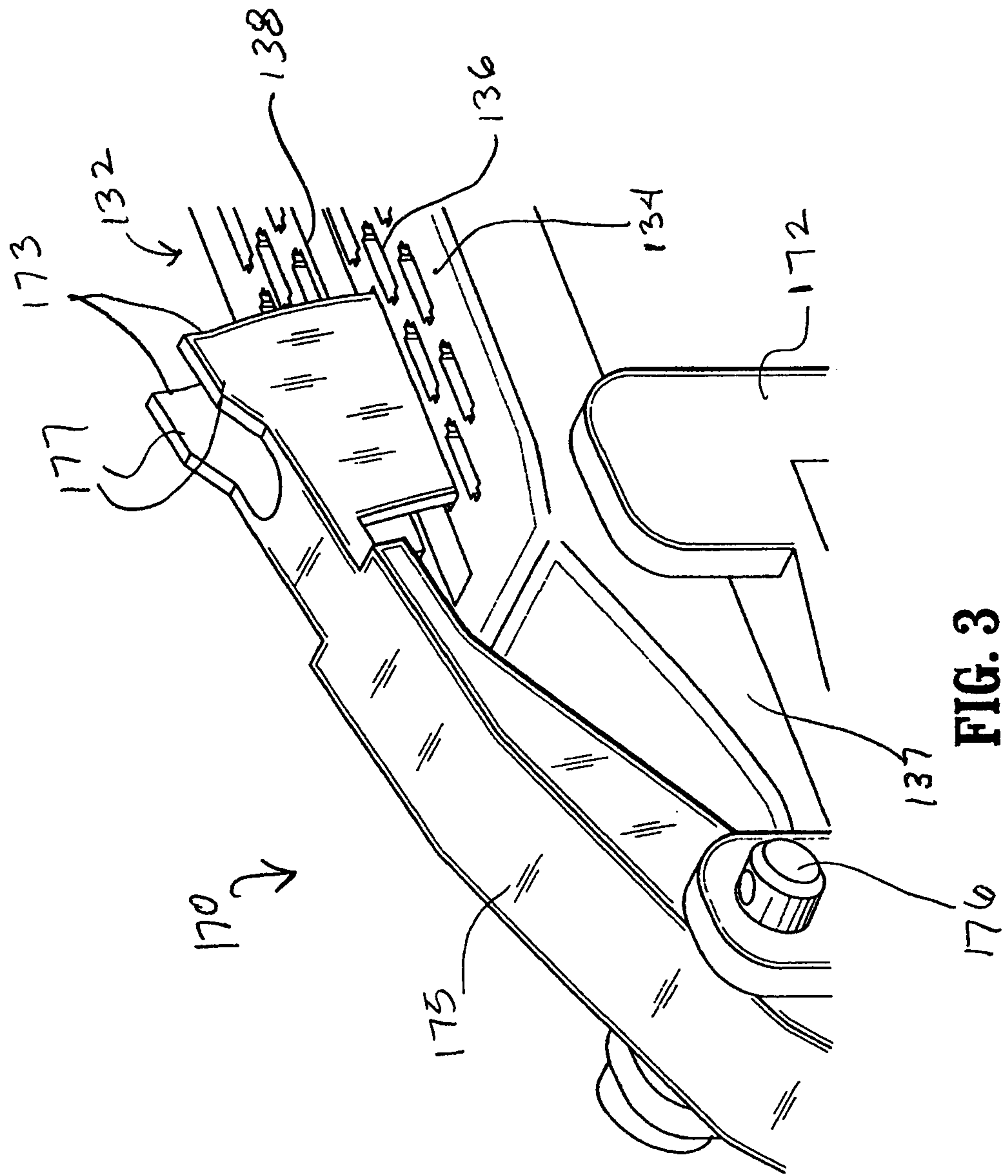
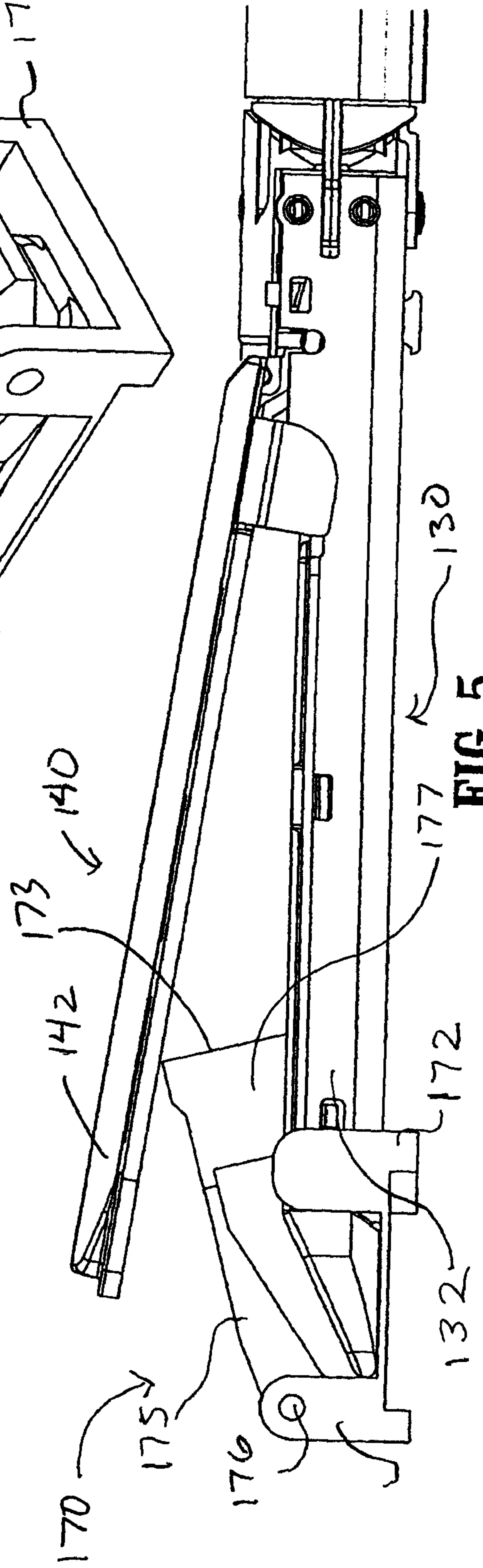
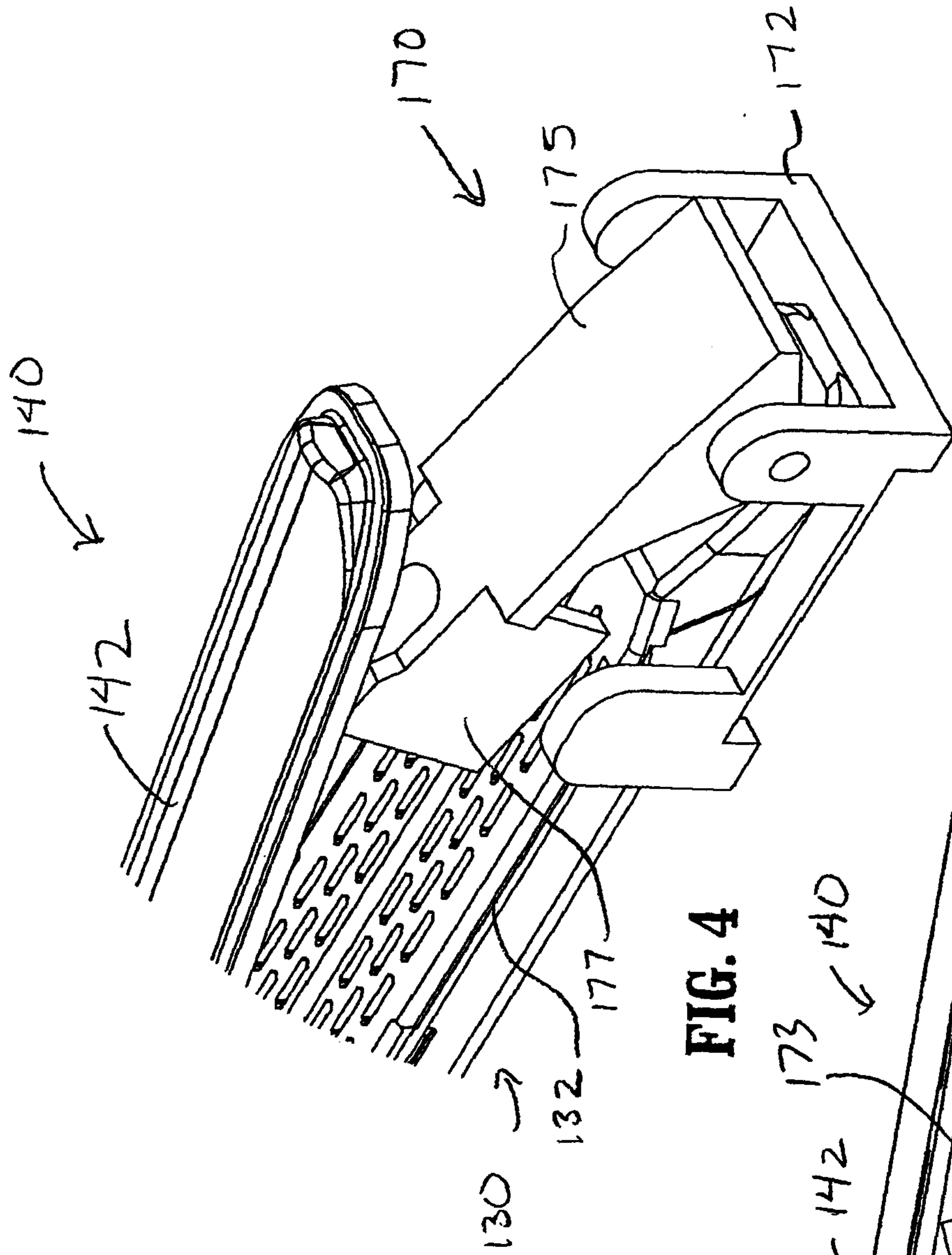
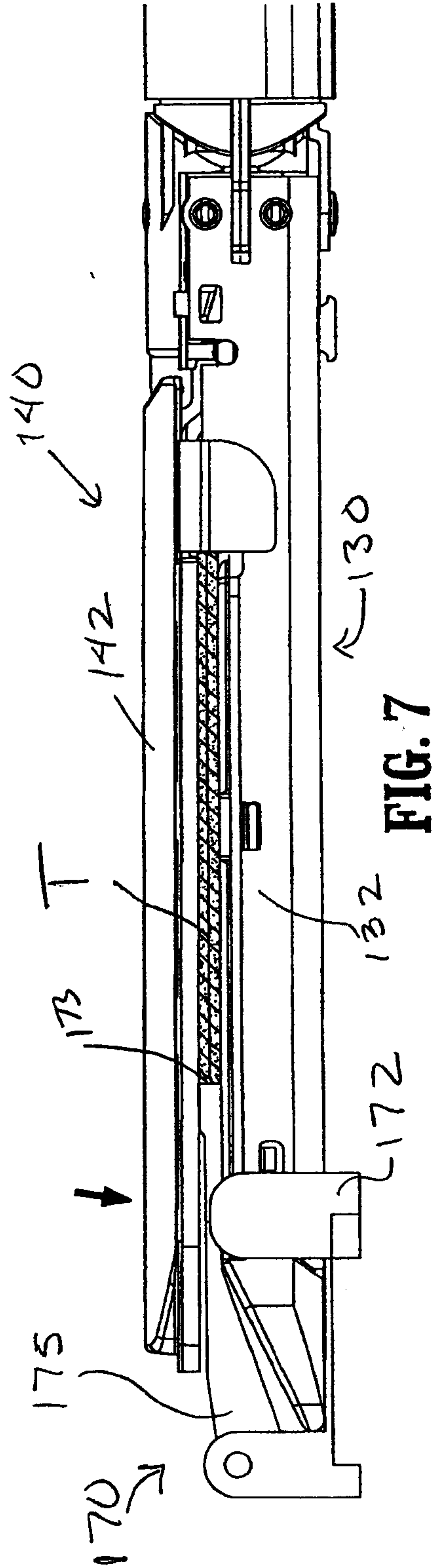
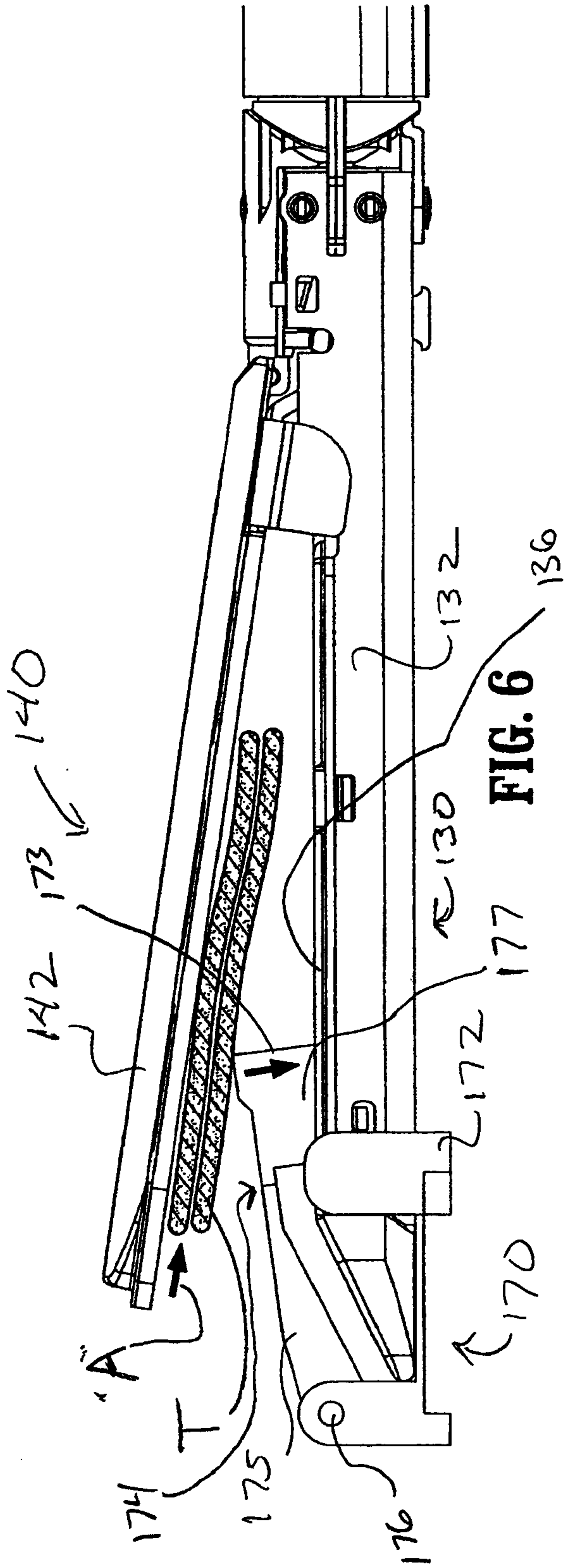


FIG. 3





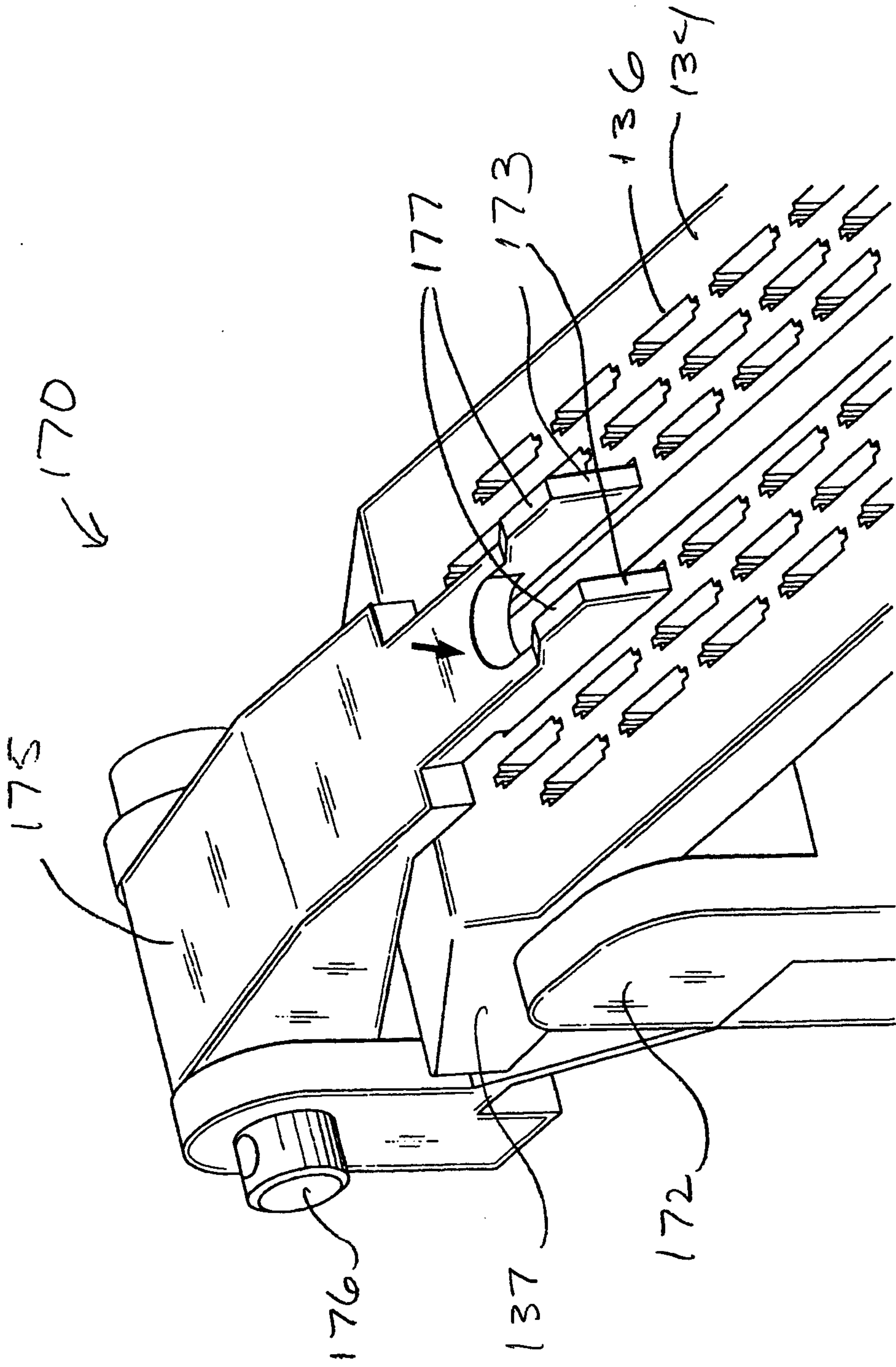


FIG. 8

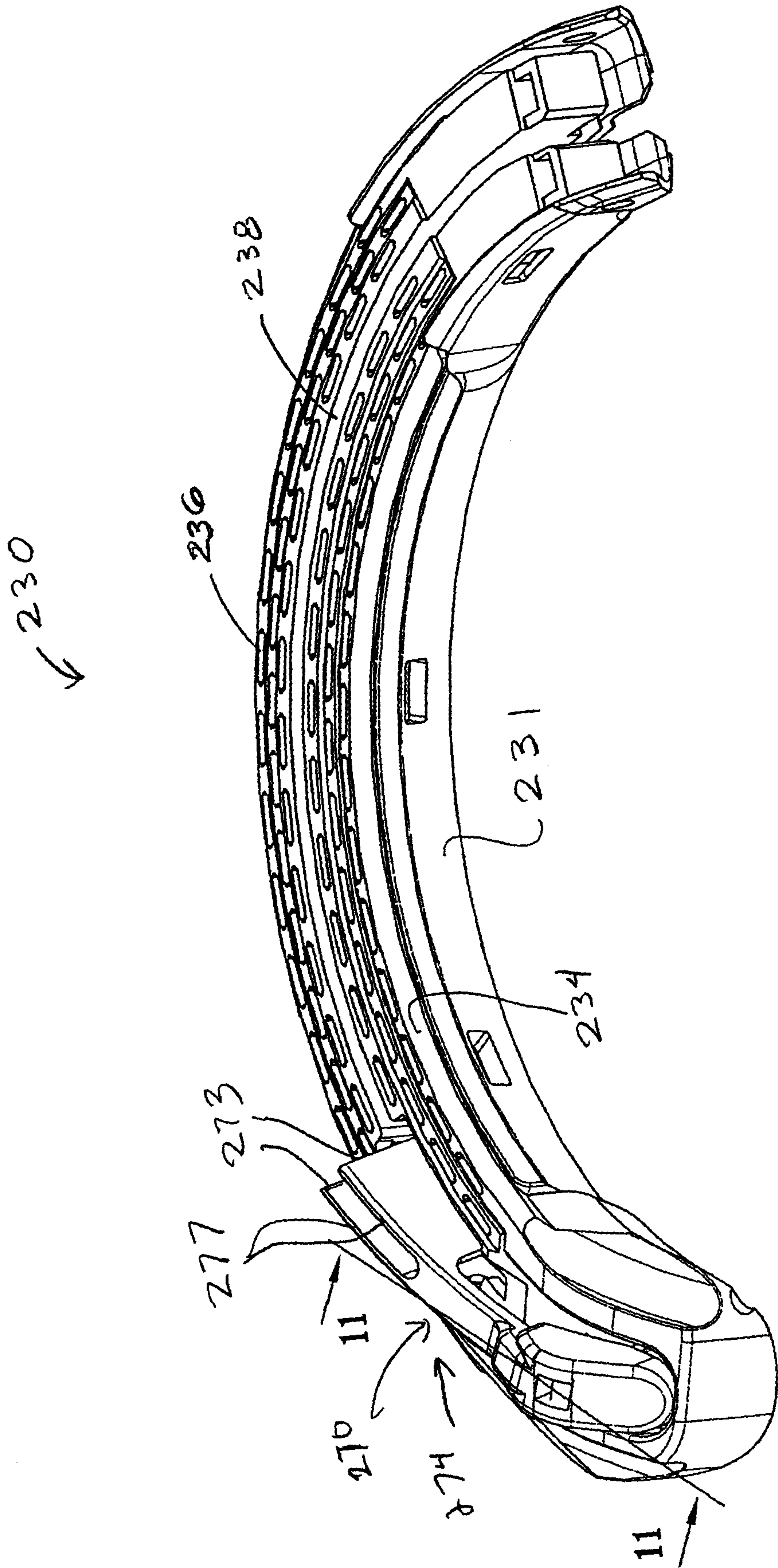


FIG. 9

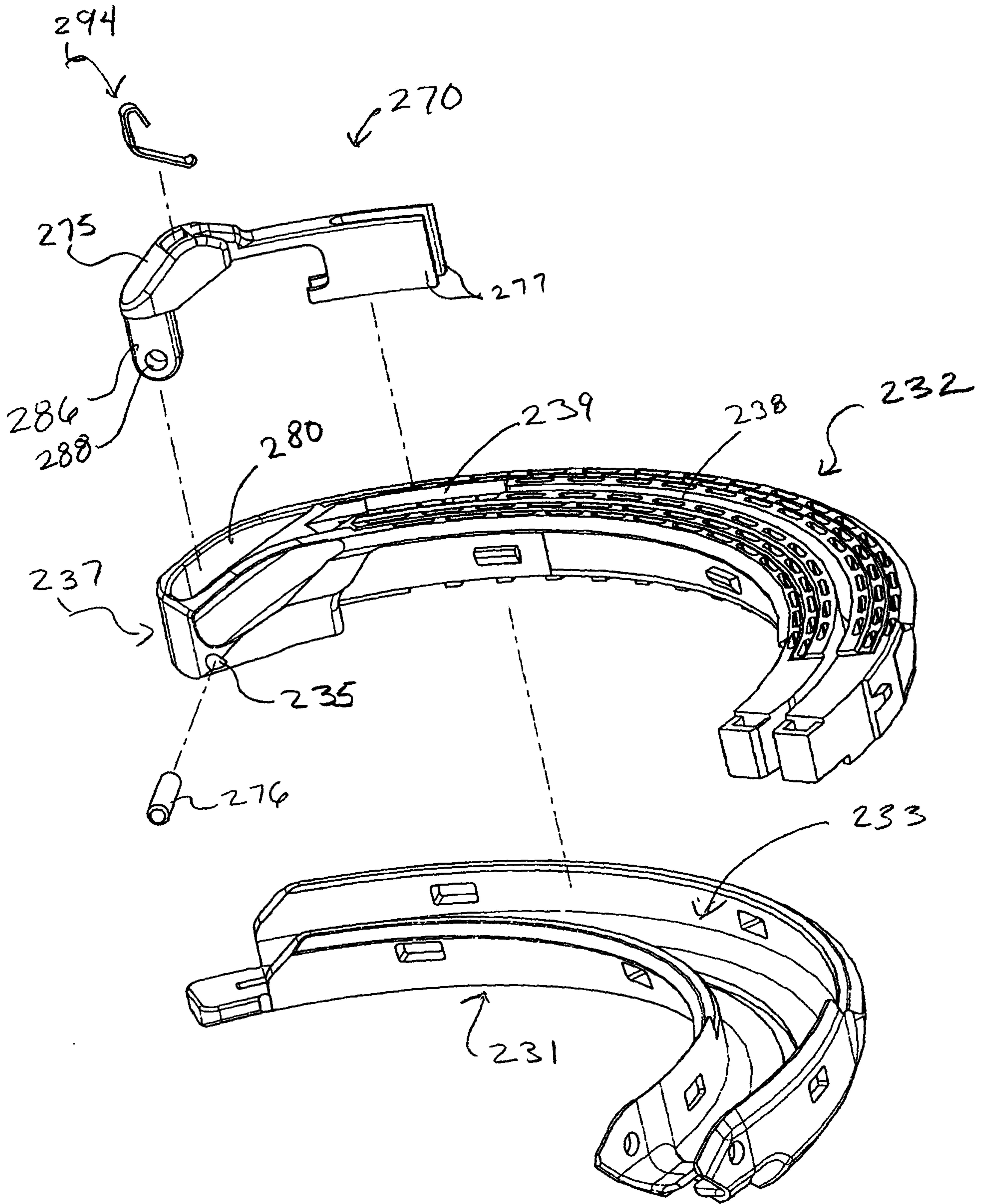


FIG. 10

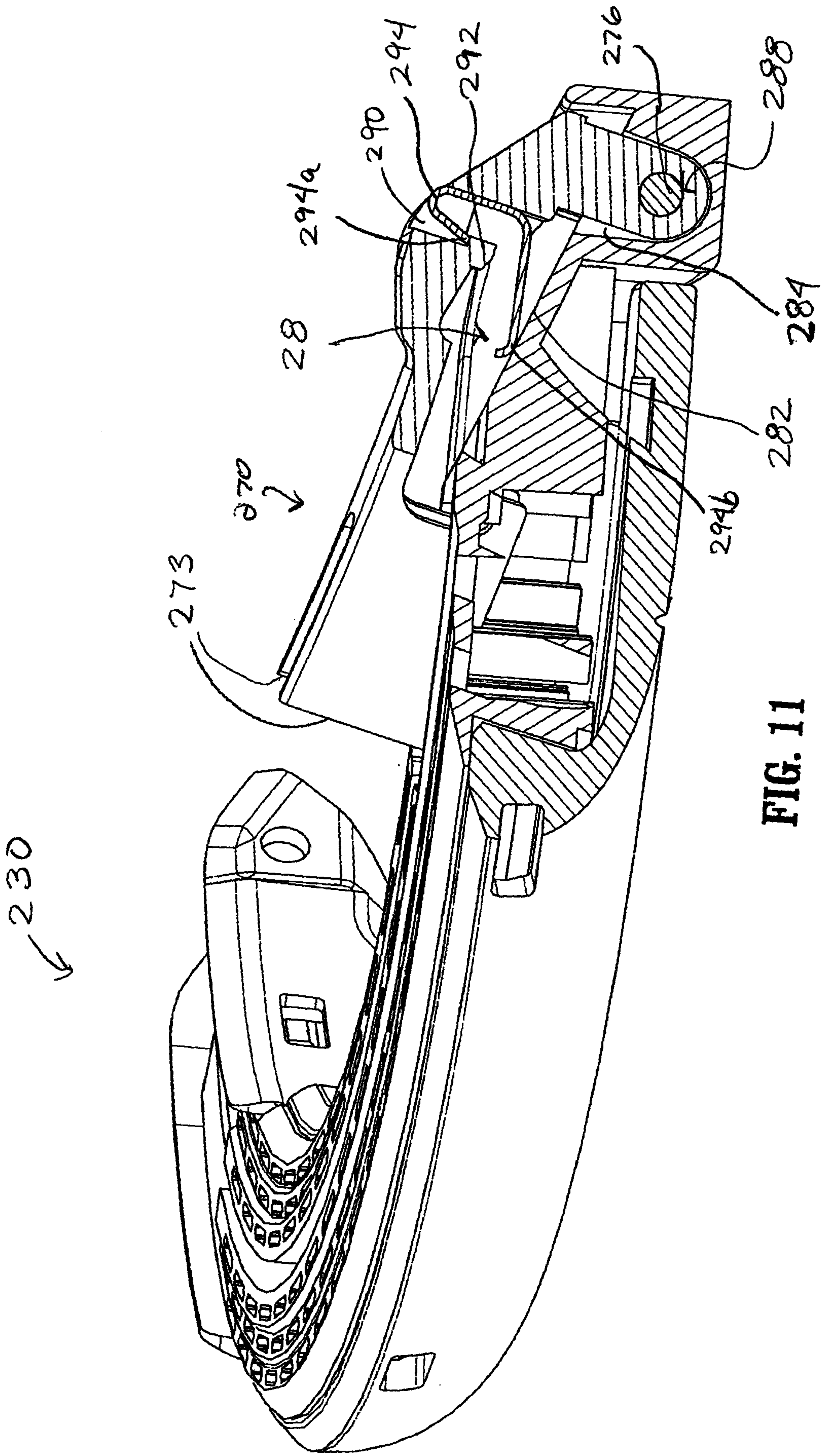


FIG. 11

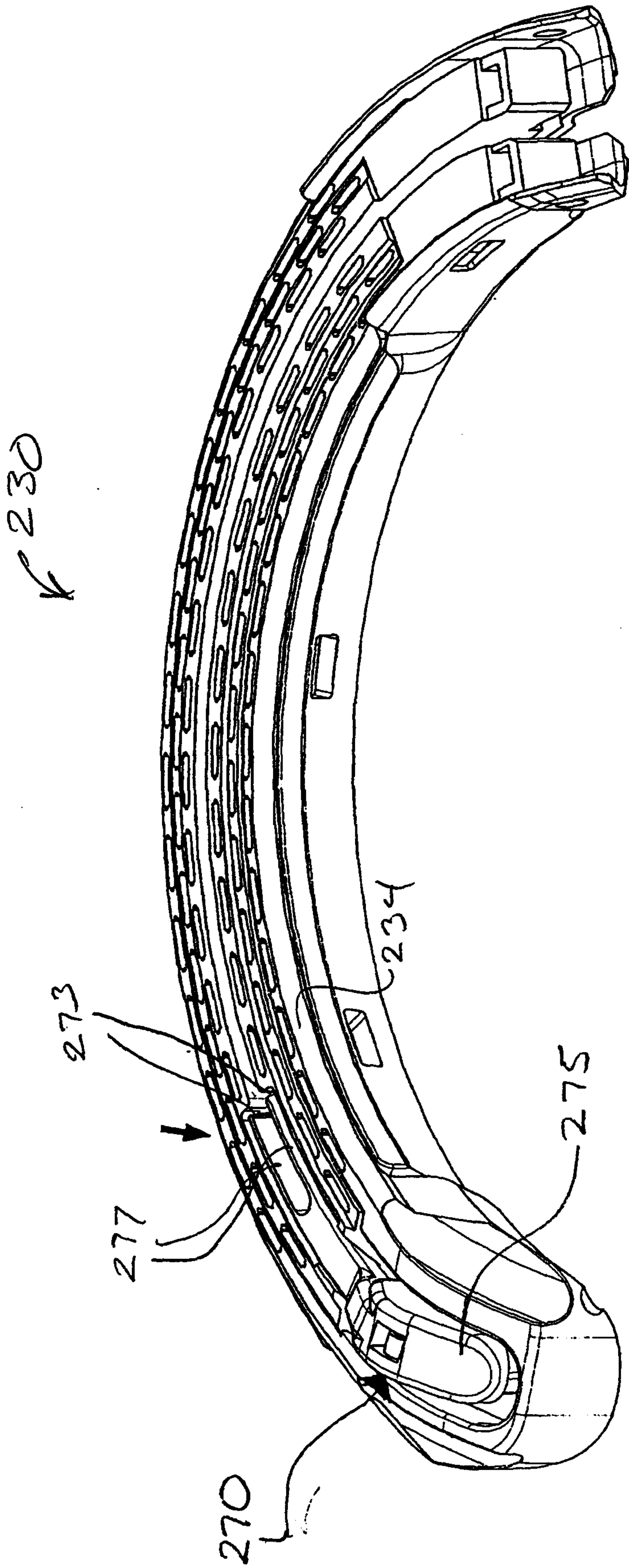


FIG. 12

