



US00D862829S

(12) **United States Design Patent** (10) **Patent No.:** **US D862,829 S**  
**Angelopoulos et al.** (45) **Date of Patent:** **\*\* Oct. 8, 2019**

(54) **TERMINAL**

(71) Applicant: **Intralot S.A. - Integrated Lottery Systems and Services, Athens (GR)**

(72) Inventors: **Nikolaos Angelopoulos, Athens (GR); Apostolos Dalas, Athens (GR)**

(73) Assignee: **Intralot S.A. - Integrated Lottery Systems and Services, Athens (GR)**

(\*\*) Term: **15 Years**

(21) Appl. No.: **29/616,460**

(22) Filed: **Sep. 6, 2017**

(51) **LOC (12) Cl.** ..... **99-00**

(52) **U.S. Cl.**

USPC ..... **D99/28**

(58) **Field of Classification Search**

USPC ..... D99/28, 34, 35, 36, 43, 99;  
D14/300-302, 305, 307, 900-902;  
D18/3.1-3.3, 4.1-4.6, 12.1-12.3;  
D21/324, 325, 329, 369, 370; 101/66;  
109/1 R, 1 V, 2, 23, 24.1, 25, 58, 58.5,  
109/66; 446/8-13; 705/16, 17, 18, 42,  
705/43, 44, 45; 235/51, 379, 380, 381,  
235/382, 382.5, 386; 206/0.8, 0.81,  
206/0.815, 0.82, 0.84  
CPC .. G06Q 20/10; G06Q 20/108; G06Q 20/1085;  
G06Q 20/18; G07D 1/00; G07D 1/02;  
G07D 1/04; G07D 1/06; G07D 11/00;  
G07D 9/002; G07D 9/04; G07F 19/20;  
G07F 19/201; G07F 19/202; G07F  
19/203; G07F 19/204; G07F 19/105;  
G07F 19/21; G07F 19/00; G07F 7/04;  
G07F 5/00; G07F 1/00; E05G 7/001;  
E05G 1/006; A63H 33/00; A63H 33/005

See application file for complete search history.

(56) **References Cited**

**U.S. PATENT DOCUMENTS**

D318,553	S	*	7/1991	Brown	.....	D99/28
D395,129	S	*	6/1998	Johnson	.....	D14/130
D401,973	S	*	12/1998	Isshiki	.....	D20/10
D402,782	S	*	12/1998	Johnson	.....	D99/28
D415,330	S	*	10/1999	King	.....	D14/900
D419,277	S	*	1/2000	Ishii	.....	D99/28
D492,080	S	*	6/2004	Magee	.....	D99/28
D530,880	S	*	10/2006	Magee	.....	D99/28
D584,875	S	*	1/2009	Bleck	.....	D99/28
D596,374	S	*	7/2009	Kang	.....	D99/28
D597,275	S	*	7/2009	Lee	.....	D99/28
D625,305	S	*	10/2010	Bleck	.....	D14/307

(Continued)

*Primary Examiner* — Elizabeth J Oswecki

(74) *Attorney, Agent, or Firm* — Greenberg Traurig, LLP

(57) **CLAIM**

The ornamental design for a terminal, as shown and described.

**DESCRIPTION**

FIG. 1 is a front right perspective view of a terminal showing our new design;

FIG. 2 is a front view of the terminal shown in FIG. 1;

FIG. 3 is a rear view of the terminal shown in FIG. 1;

FIG. 4 is a left side view of the terminal shown in FIG. 1;

FIG. 5 is a right side view of the terminal shown in FIG. 1;

FIG. 6 is a top view of the terminal shown in FIG. 1;

FIG. 7 is a bottom view of the terminal shown in FIG. 1;

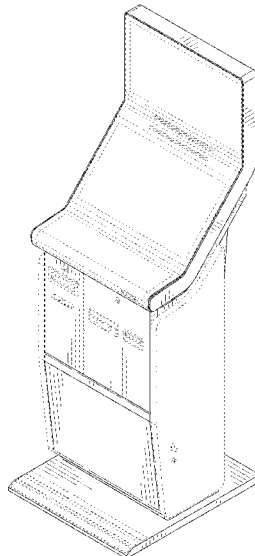
FIG. 8 is a front left perspective view of the terminal shown in FIG. 1; and,

FIG. 9 is a rear perspective view of the terminal shown in FIG. 1.

The broken lines are included to show features that form no part of the claimed design.

The shaded surfaces adjacent to the broken lines form part of the claimed design.

**1 Claim, 8 Drawing Sheets**



(56)

**References Cited**

U.S. PATENT DOCUMENTS

D626,544	S *	11/2010	Bleck	.....	D14/307
D626,545	S *	11/2010	Bleck	.....	D14/307
D629,585	S *	12/2010	Bleck	.....	D14/307
D645,223	S *	9/2011	Bleck	.....	D14/307
D674,985	S *	1/2013	Lee	.....	D14/900
D707,012	S *	6/2014	Swaine	.....	D99/28
D769,570	S *	10/2016	Kraft	.....	D99/28
D769,572	S *	10/2016	Park	.....	D99/28
D789,021	S *	6/2017	Sato	.....	D99/28
D792,049	S *	7/2017	Oh	.....	D99/28
2004/0262379	A1 *	12/2004	Gomes	.....	G06Q 30/06 235/379
2008/0296365	A1 *	12/2008	Schliebe	.....	G01G 19/52 235/379
2009/0057398	A1 *	3/2009	Douglass	.....	G07F 19/20 235/379

\* cited by examiner

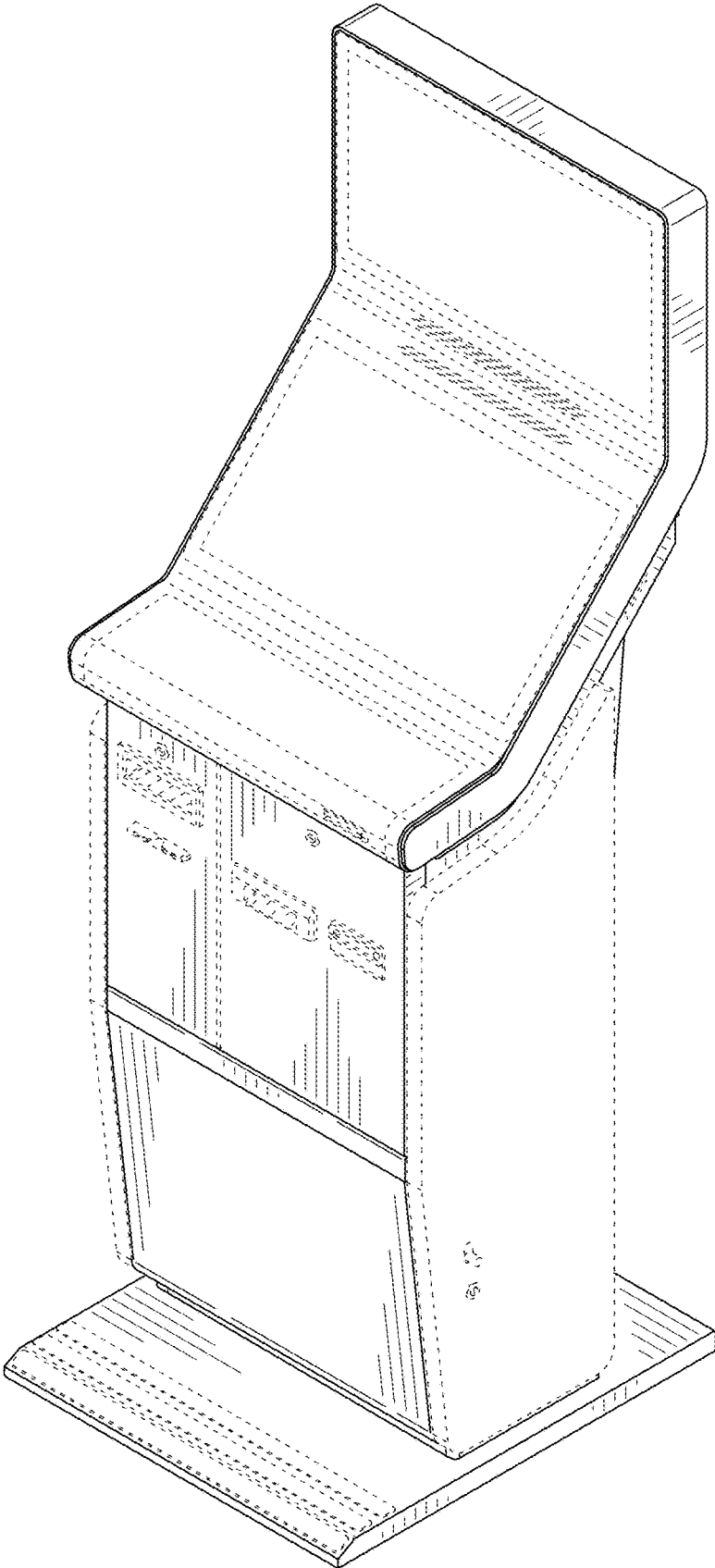


FIG. 1

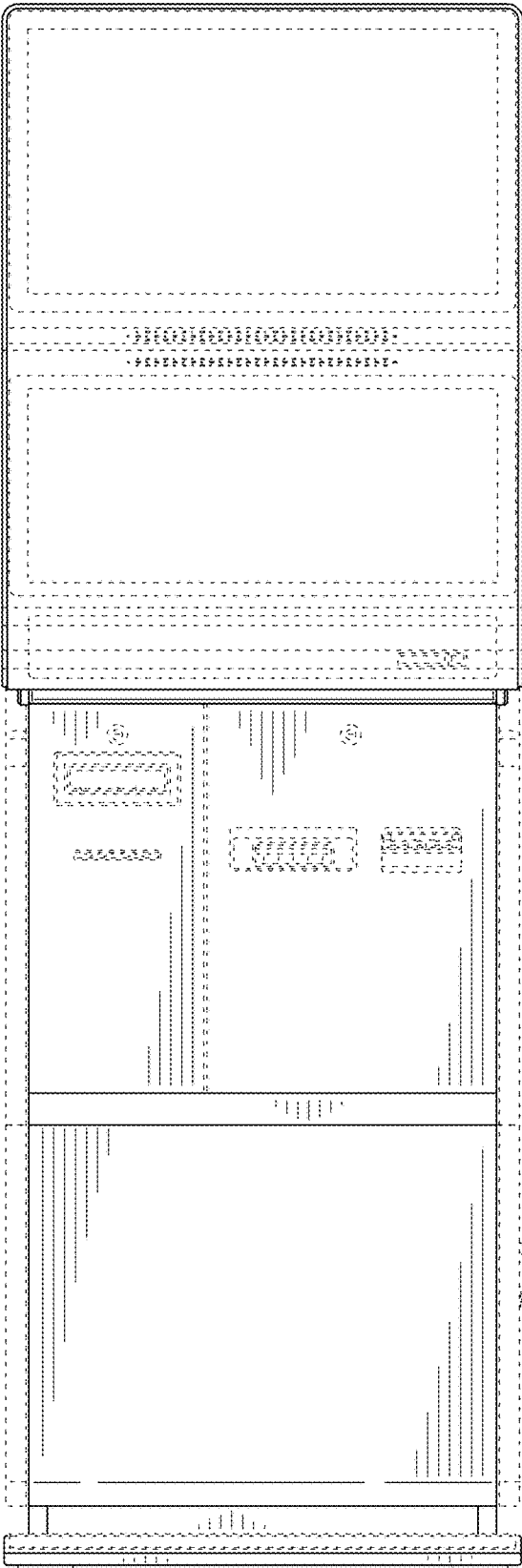


FIG. 2

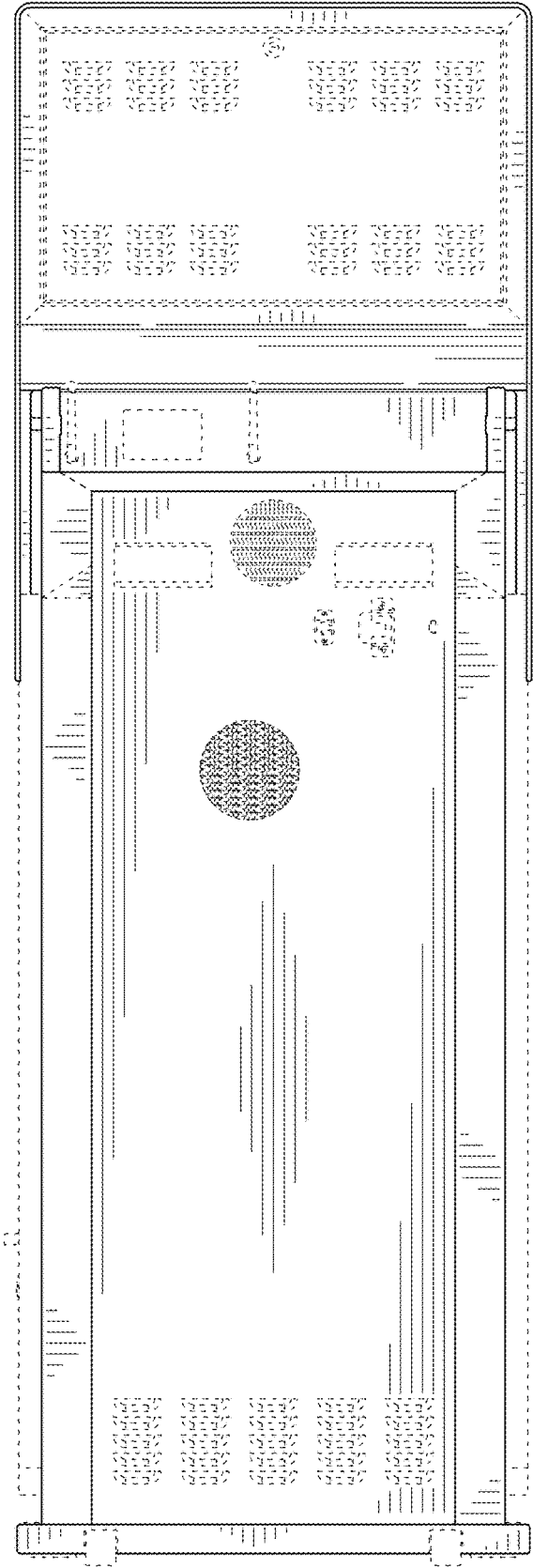


FIG. 3

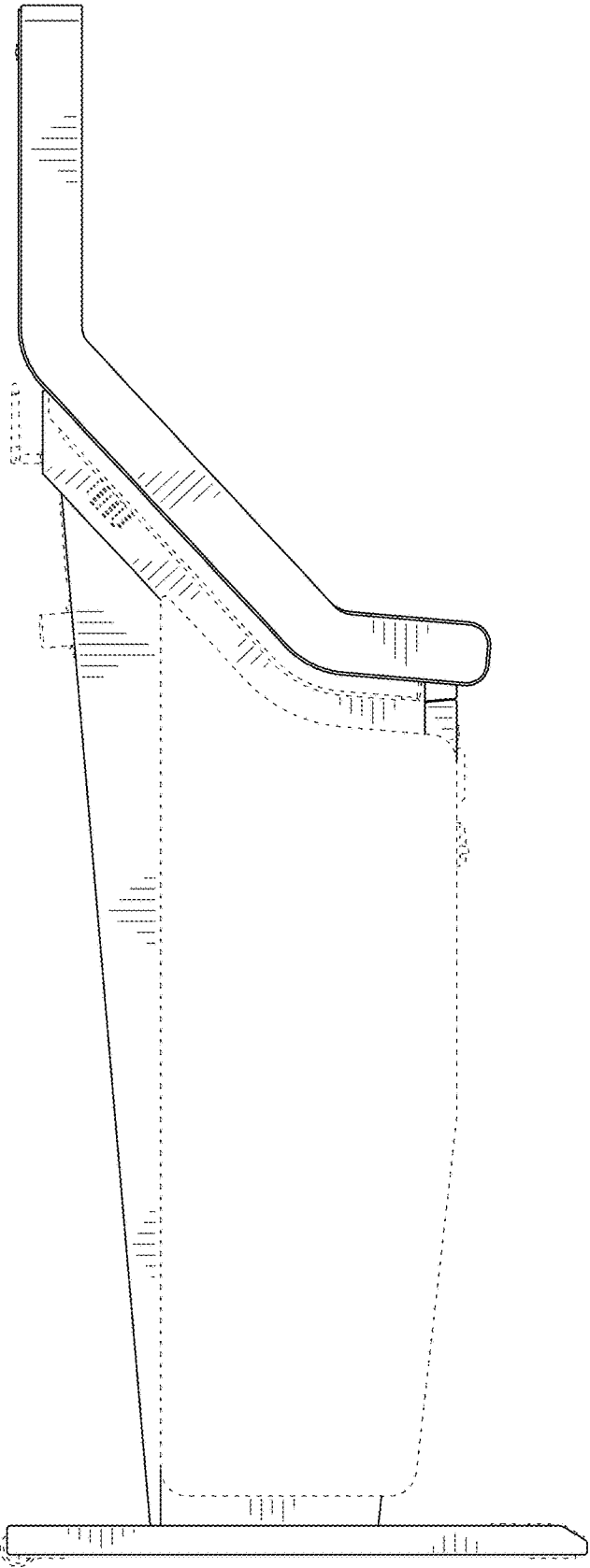


FIG. 4

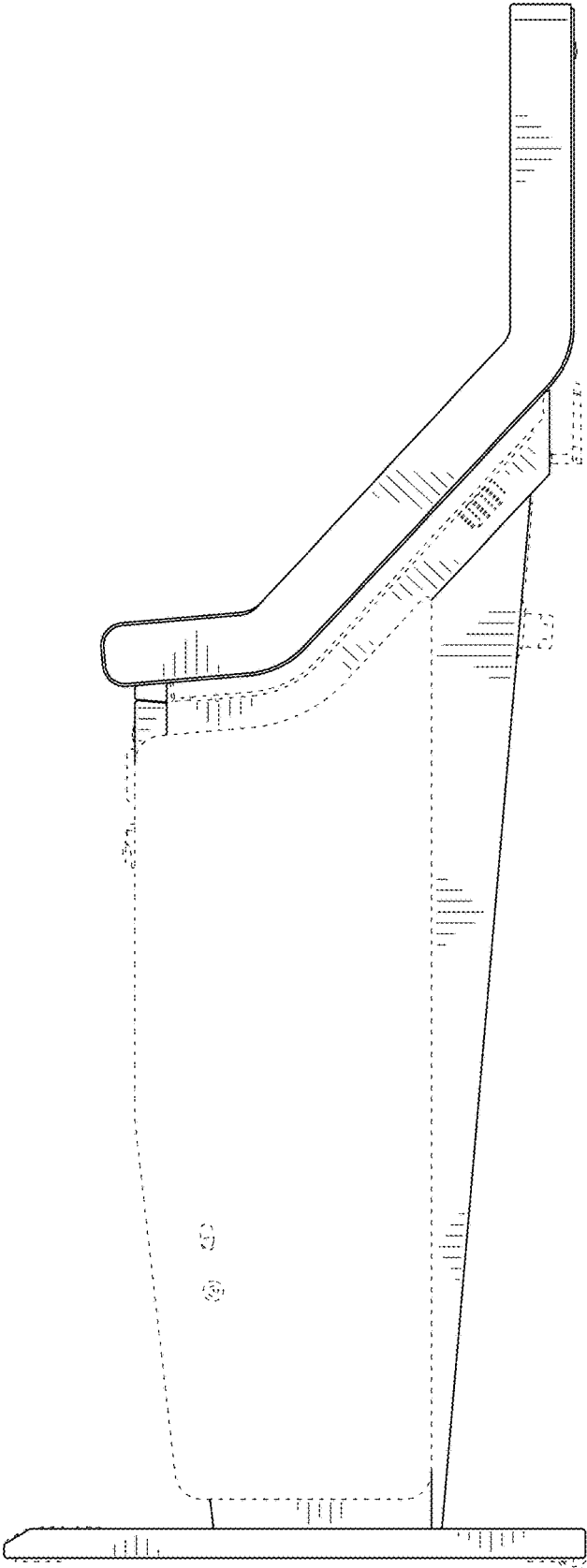


FIG. 5

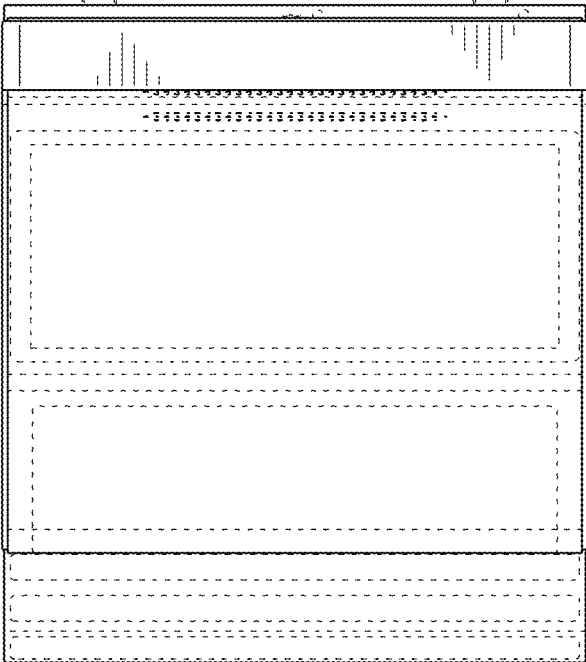


FIG. 6

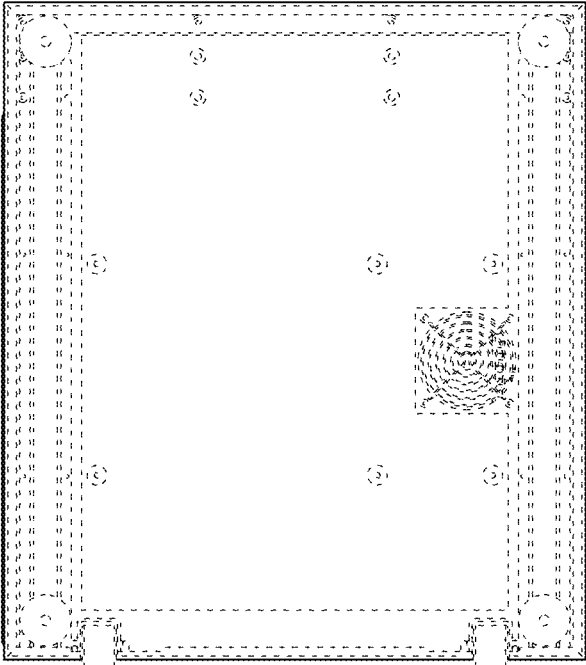


FIG. 7

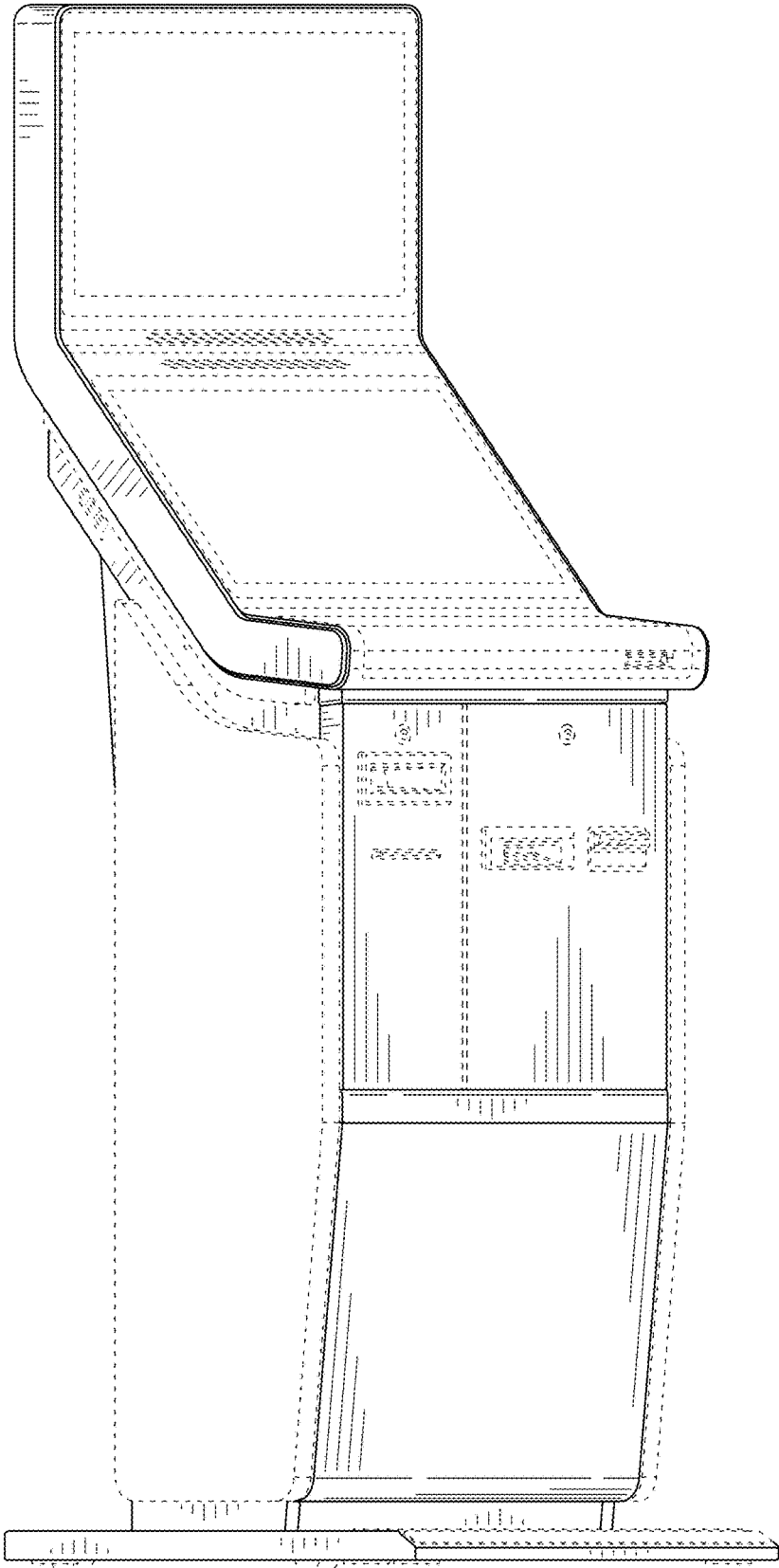


FIG. 8

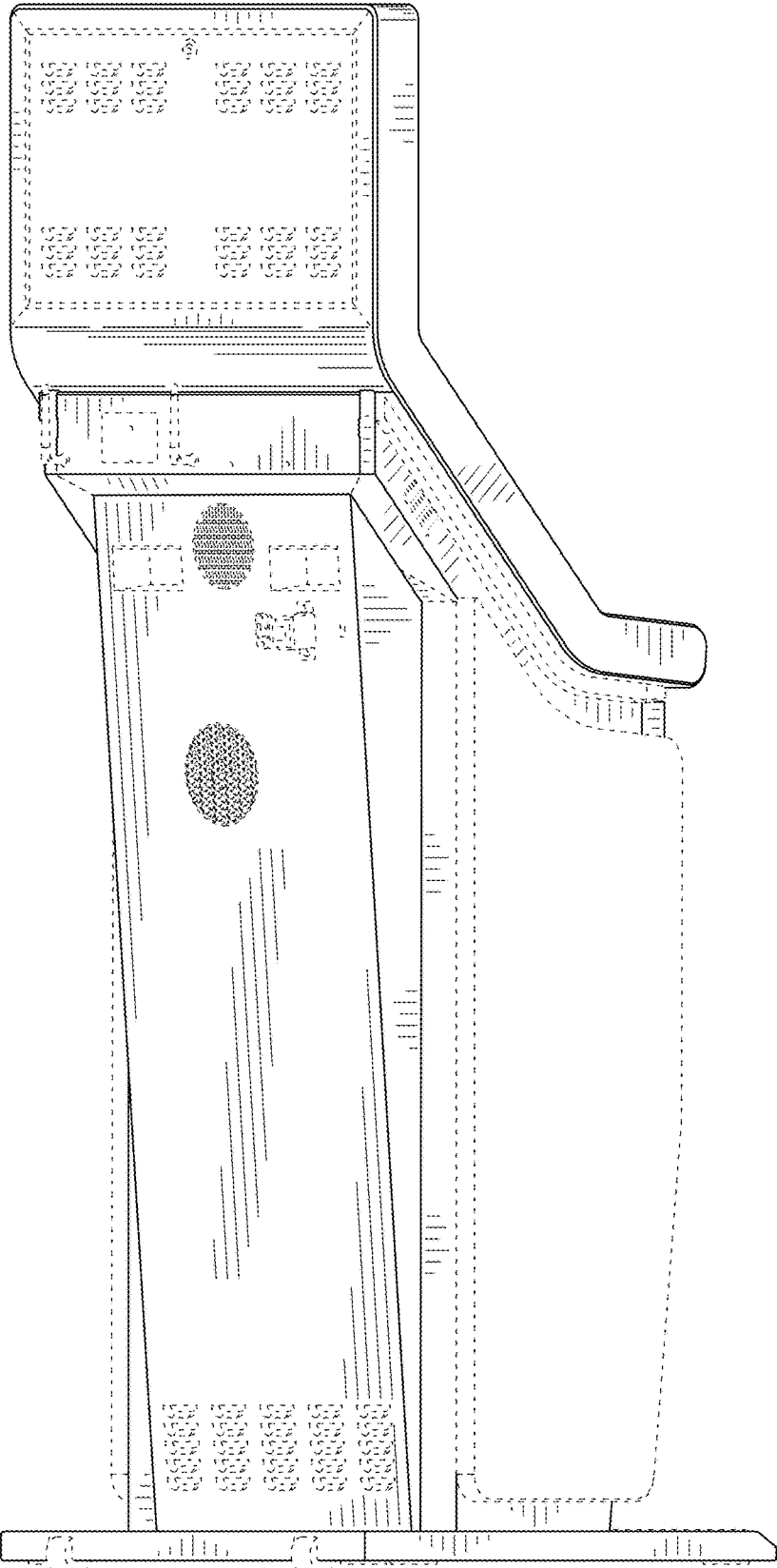


FIG. 9