



US0D1058331S

(12) **United States Design Patent**  
**O'Brien et al.**

(10) **Patent No.:** **US D1,058,331 S**

(45) **Date of Patent:** **\*\* Jan. 21, 2025**

- (54) **HYDRAULIC TORQUE WRENCH**
- (71) Applicant: **Atlas Copco Industrial Technique AB**,  
Nacka (SE)
- (72) Inventors: **Ian O'Brien**, Cramlington (GB);  
**Apurba Pawar**, Nacka (SE)
- (73) Assignee: **Atlas Copco Industrial Technique AB**  
(SE)

RE33,951 E \* 6/1992 Junkers ..... B25B 21/005  
81/57.39  
D465,394 S \* 11/2002 Junkers ..... D8/61  
D491,436 S \* 6/2004 Junkers ..... D8/61  
6,912,933 B2 \* 7/2005 Knopp ..... B23D 29/005  
81/57.44  
7,062,993 B2 \* 6/2006 Shaw ..... B25B 23/0078  
81/57.44  
D602,755 S \* 10/2009 Junkers ..... D8/24  
D606,831 S \* 12/2009 Shiota ..... D8/69

(Continued)

(\*\*) Term: **15 Years**

**OTHER PUBLICATIONS**

(21) Appl. No.: **35/517,504**

Atlas Copco "RT Series Hydraulic Torque Wrench" datasheet dated Jun. 2015.

(22) Filed: **Jun. 15, 2022**

(80) **Hague Agreement Data**

*Primary Examiner* — Austin Murphy

Int. Filing Date: **Jun. 15, 2022**  
 Int. Reg. No.: **DM/223758**  
 Int. Reg. Date: **Jun. 15, 2022**  
 Int. Reg. Pub. Date: **Jun. 16, 2023**

(74) *Attorney, Agent, or Firm* — Knobbe, Martens, Olson & Bear, LLP

(57) **CLAIM**

The ornamental design for a hydraulic torque wrench as shown and described.

(30) **Foreign Application Priority Data**

**DESCRIPTION**

Dec. 15, 2021 (WO) ..... WIPO111489

The patent or application file contains at least one drawing executed in color. Copies of this patent or patent application publication with color drawing(s) will be provided by the Office upon request and payment of the necessary fee.

(51) **LOC (15) Cl.** ..... **08-03**

(52) **U.S. Cl.**

USPC ..... **D8/61**

(58) **Field of Classification Search**

USPC ..... D8/61, 21, 24, 25, 29, 68; 73/862.21,  
73/862.22; 464/25, 35; 81/467, 478,  
81/479, 57.39

CPC .... B25B 21/004; B25B 21/005; F15B 15/061

See application file for complete search history.

- 1.1: Perspective
- 1.2: Perspective
- 1.3: Top
- 1.4: Right
- 1.5: Front
- 1.6: Left
- 1.7: Back
- 1.8: Bottom

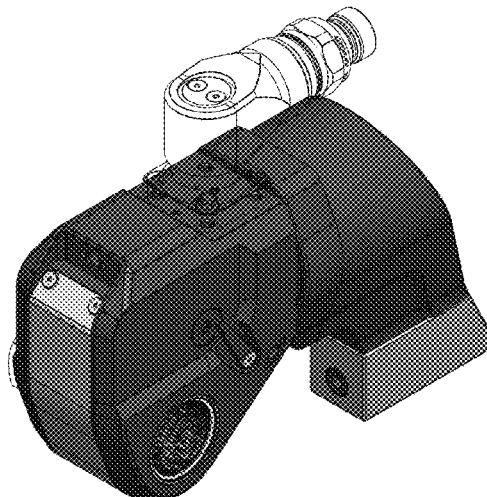
The design resides in the shape, color and configuration of the article as shown; no protection is sought for the matter shown in ghost lines and unshaded.

(56) **References Cited**

**U.S. PATENT DOCUMENTS**

4,619,160 A \* 10/1986 Meyer ..... B25B 21/005  
81/57.39  
4,706,527 A \* 11/1987 Junkers ..... B25B 21/005  
81/57.39

**1 Claim, 8 Drawing Sheets**  
**(8 of 8 Drawing Sheet(s) Filed in Color)**



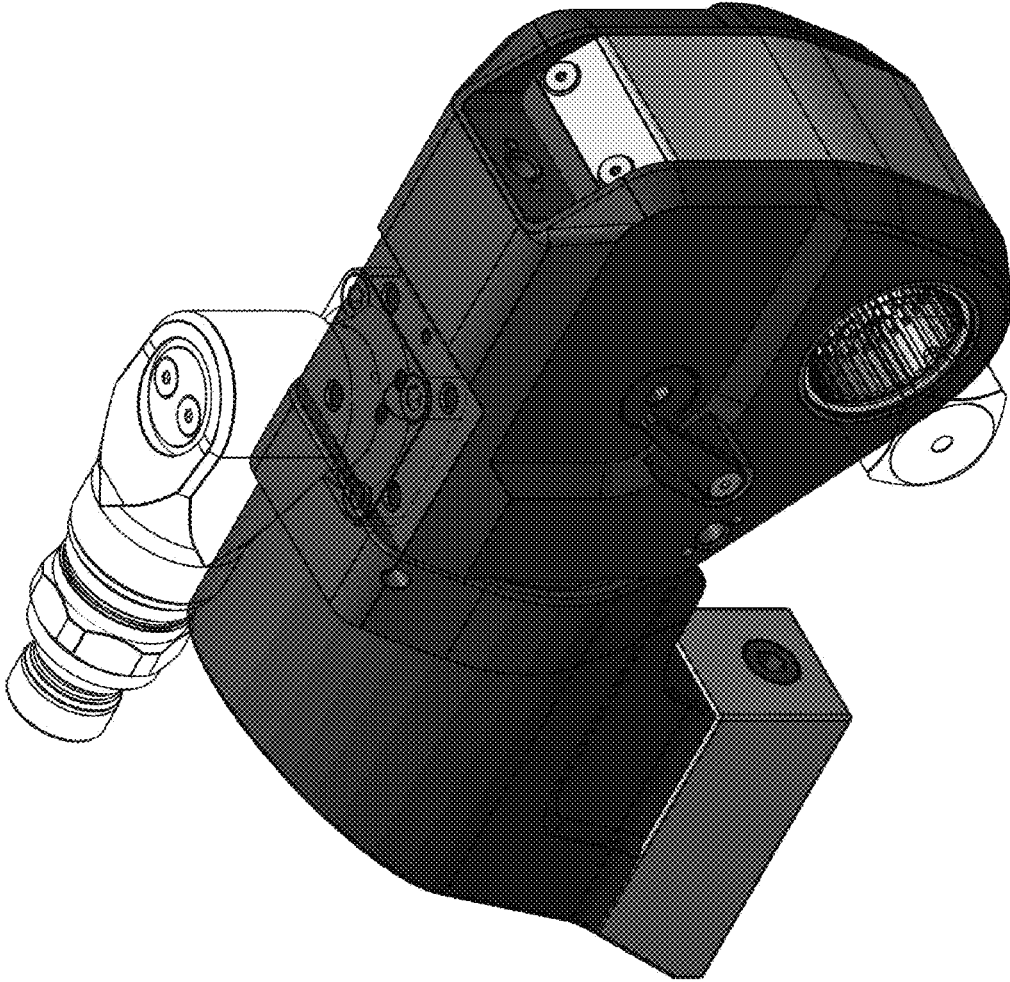
(56)

**References Cited**

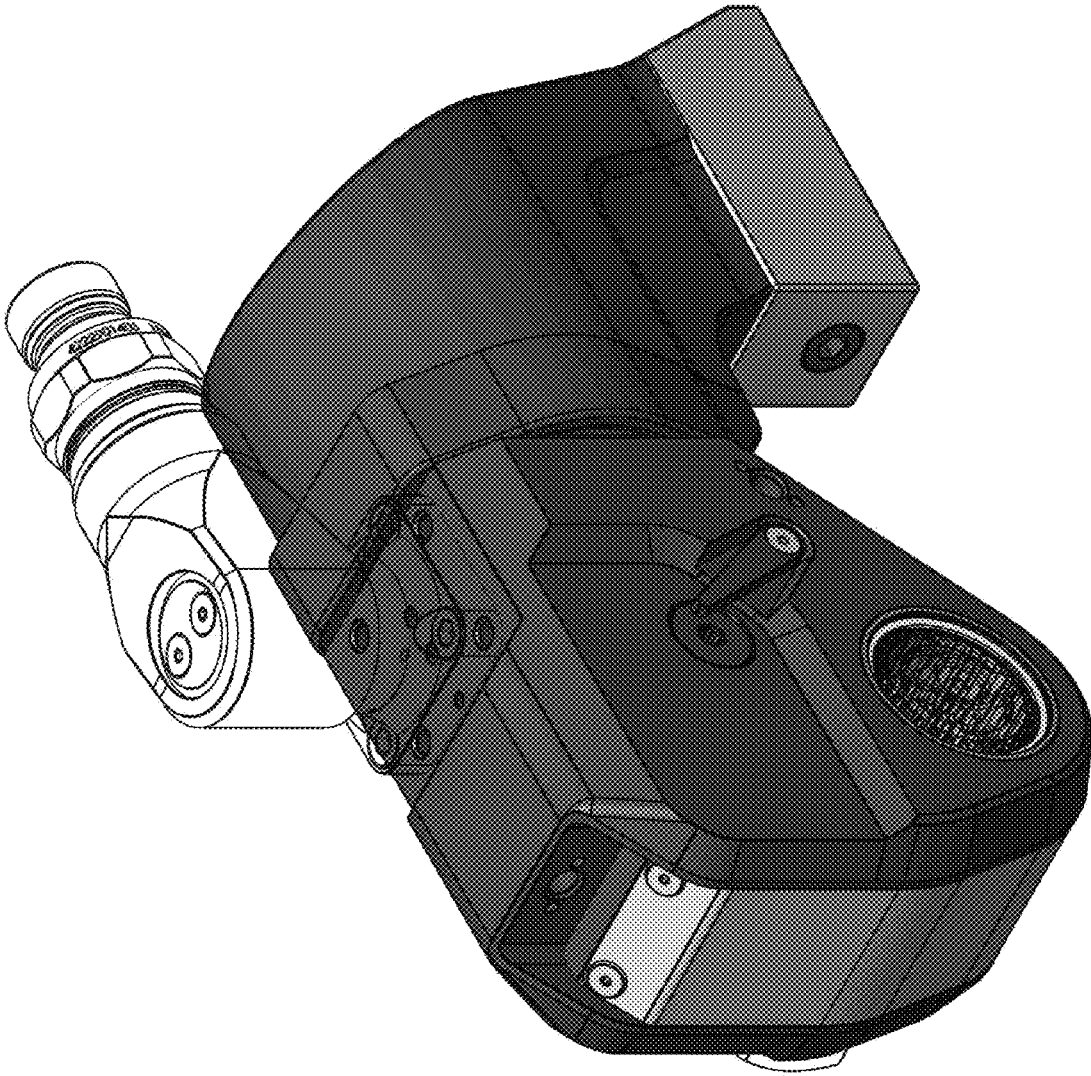
U.S. PATENT DOCUMENTS

D724,403	S	*	3/2015	Spirer	.....	D8/61
D730,135	S	*	5/2015	Spirer	.....	D8/61
9,492,912	B2	*	11/2016	Spirer	.....	B25B 23/0007
9,550,282	B2	*	1/2017	Davis	.....	B25B 21/005

\* cited by examiner

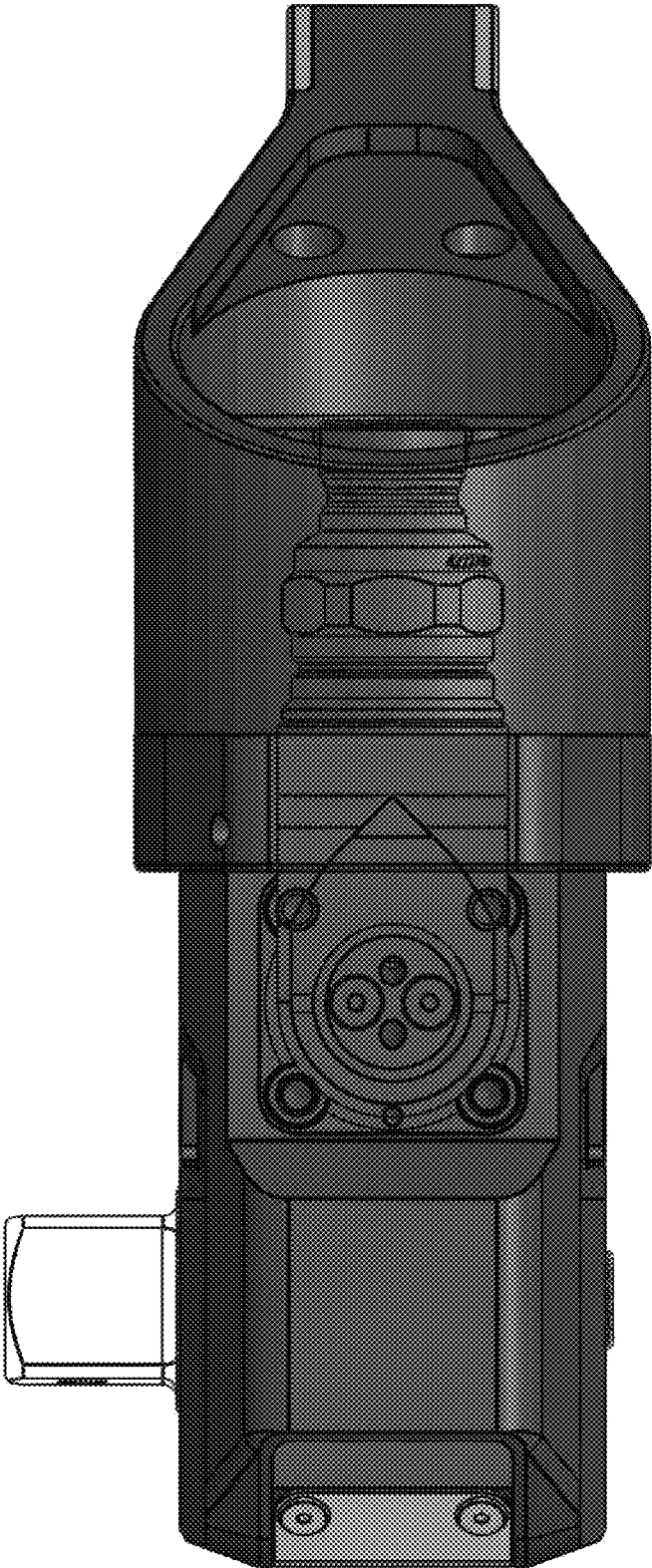


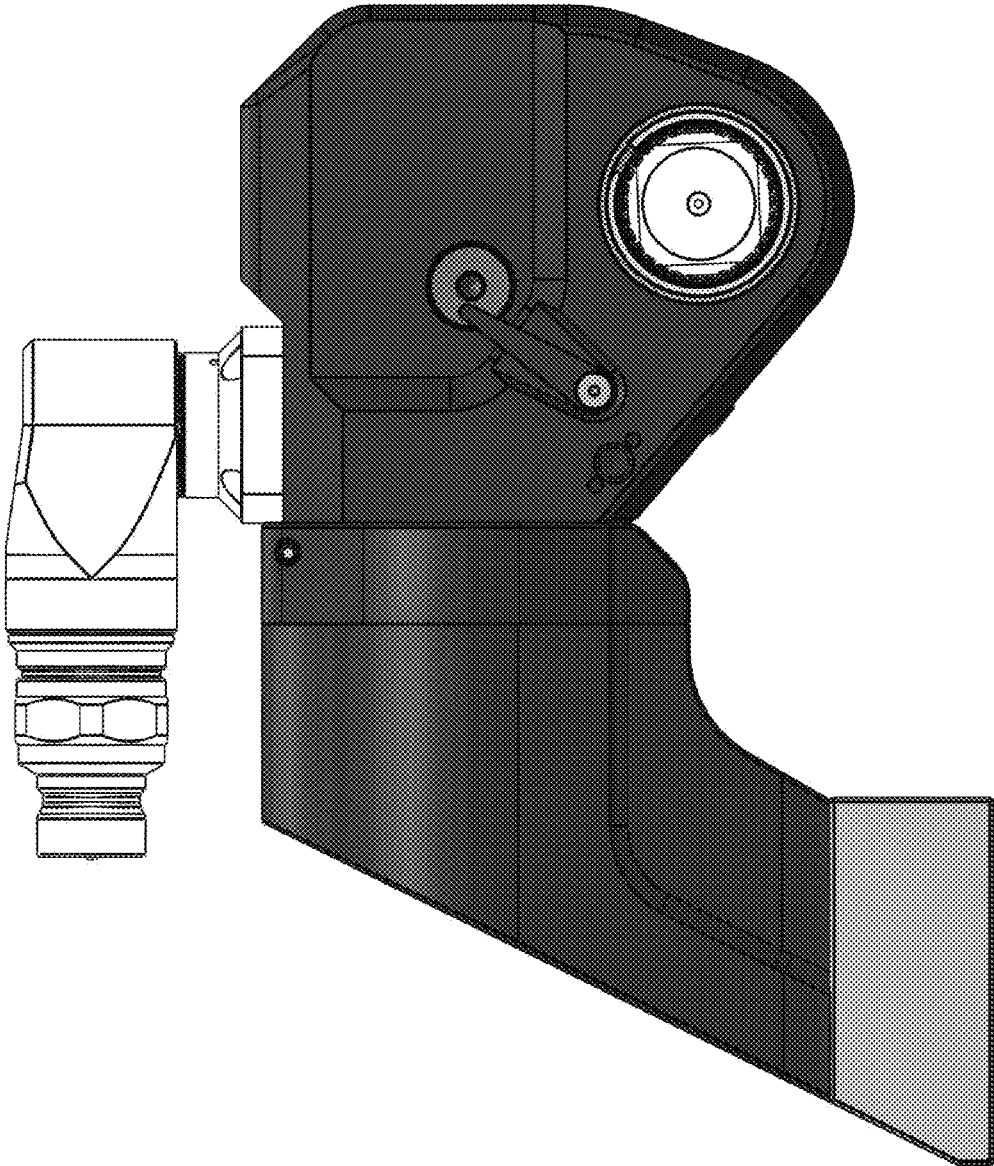
1.1



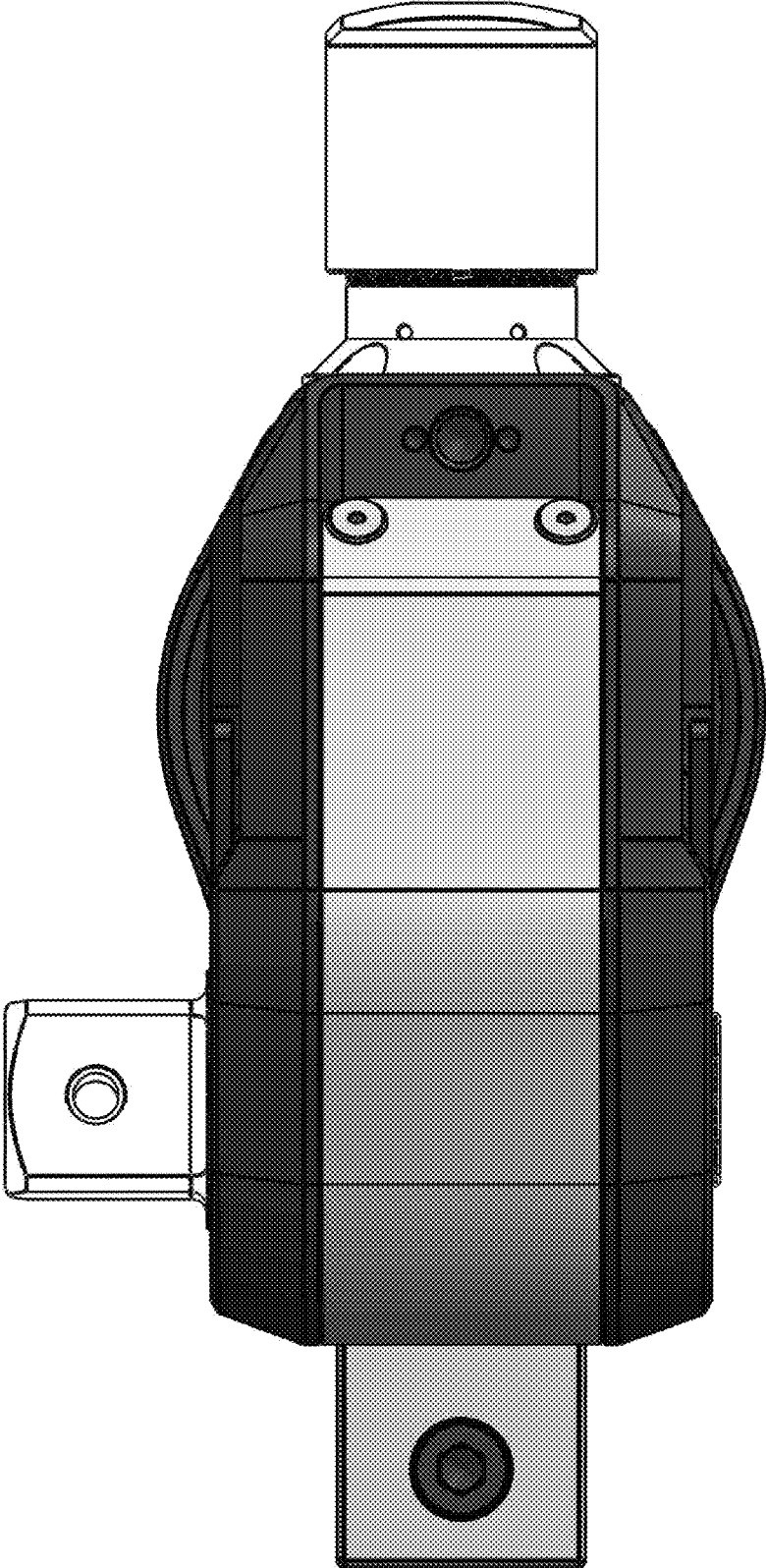
1.2

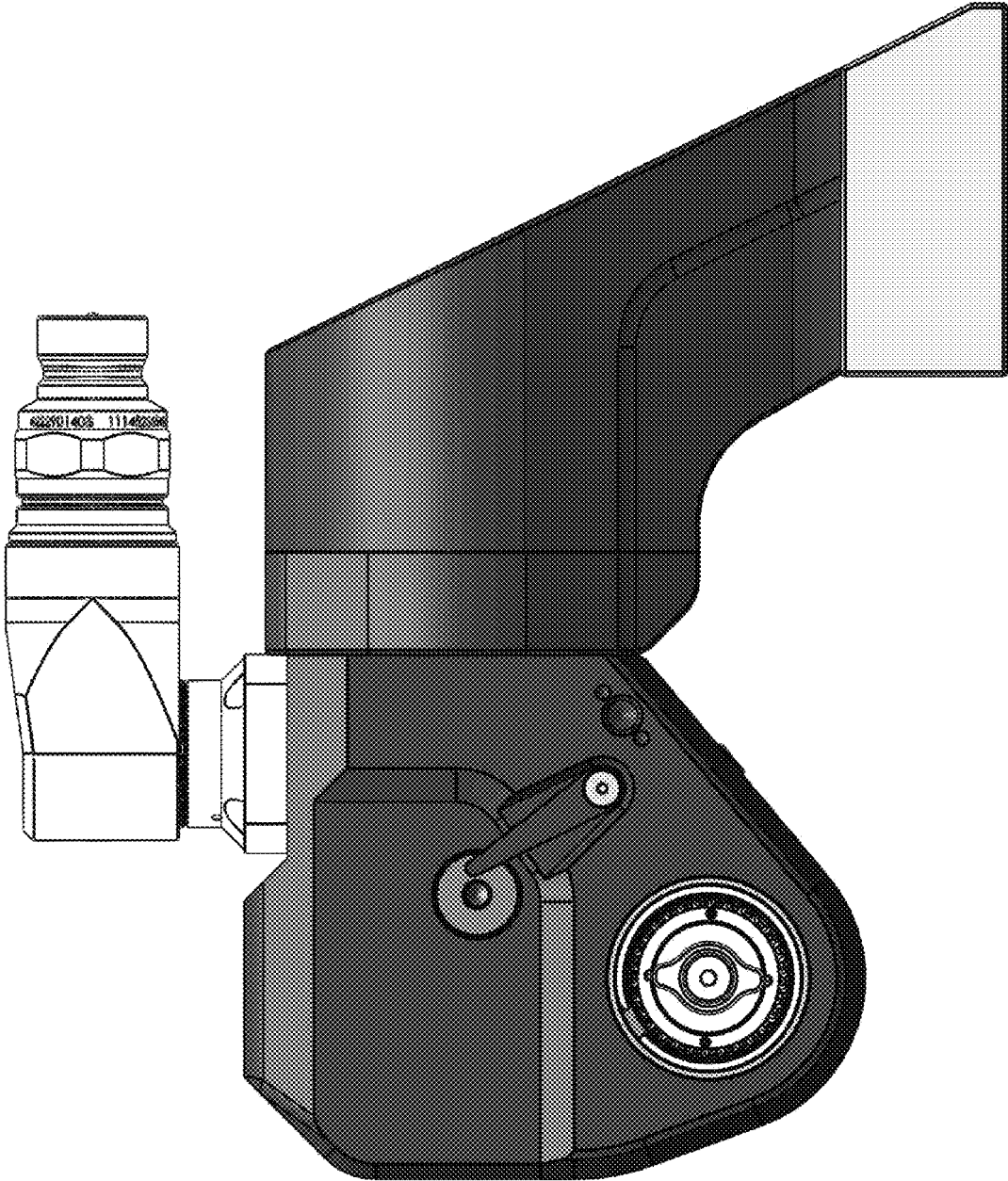
1.3





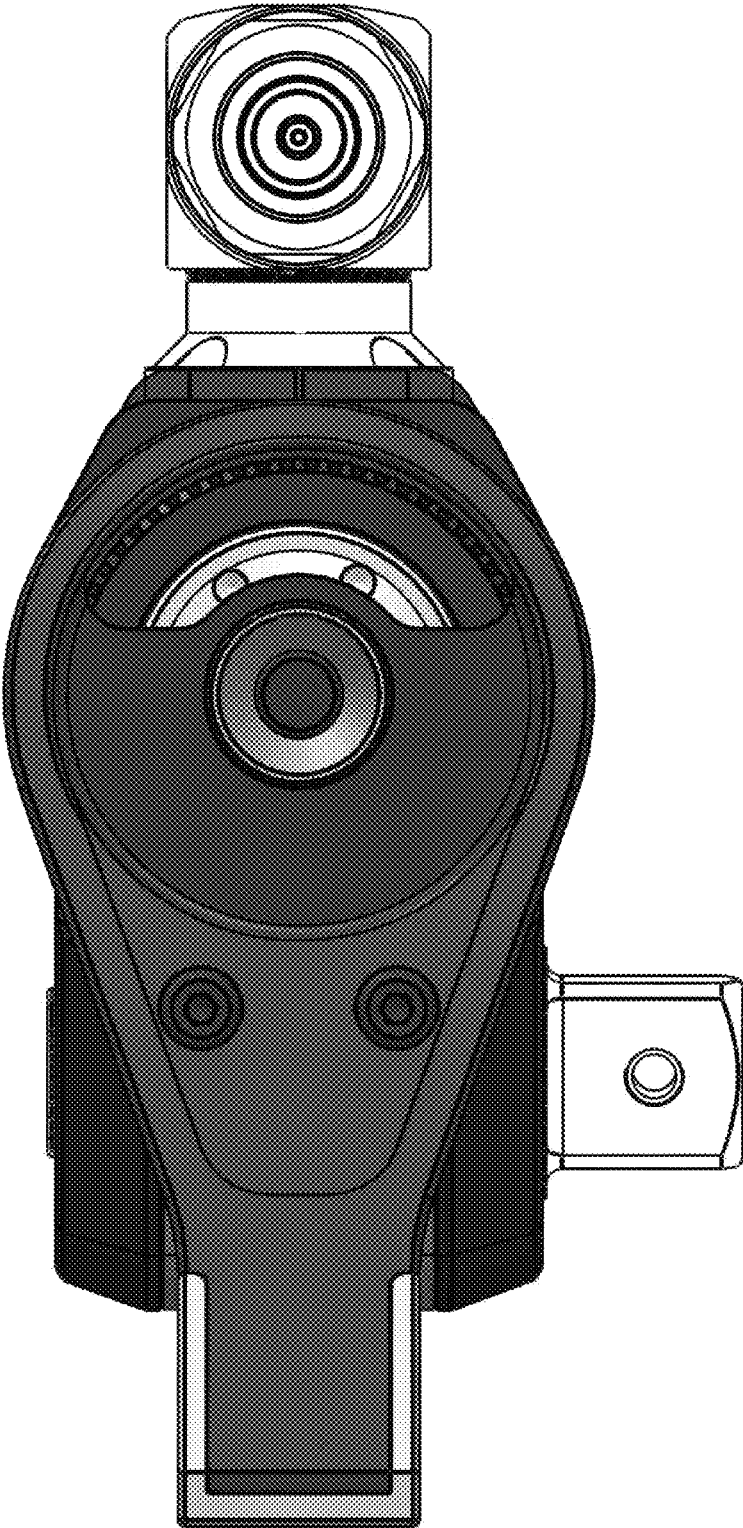
1.5





1.6

1.7



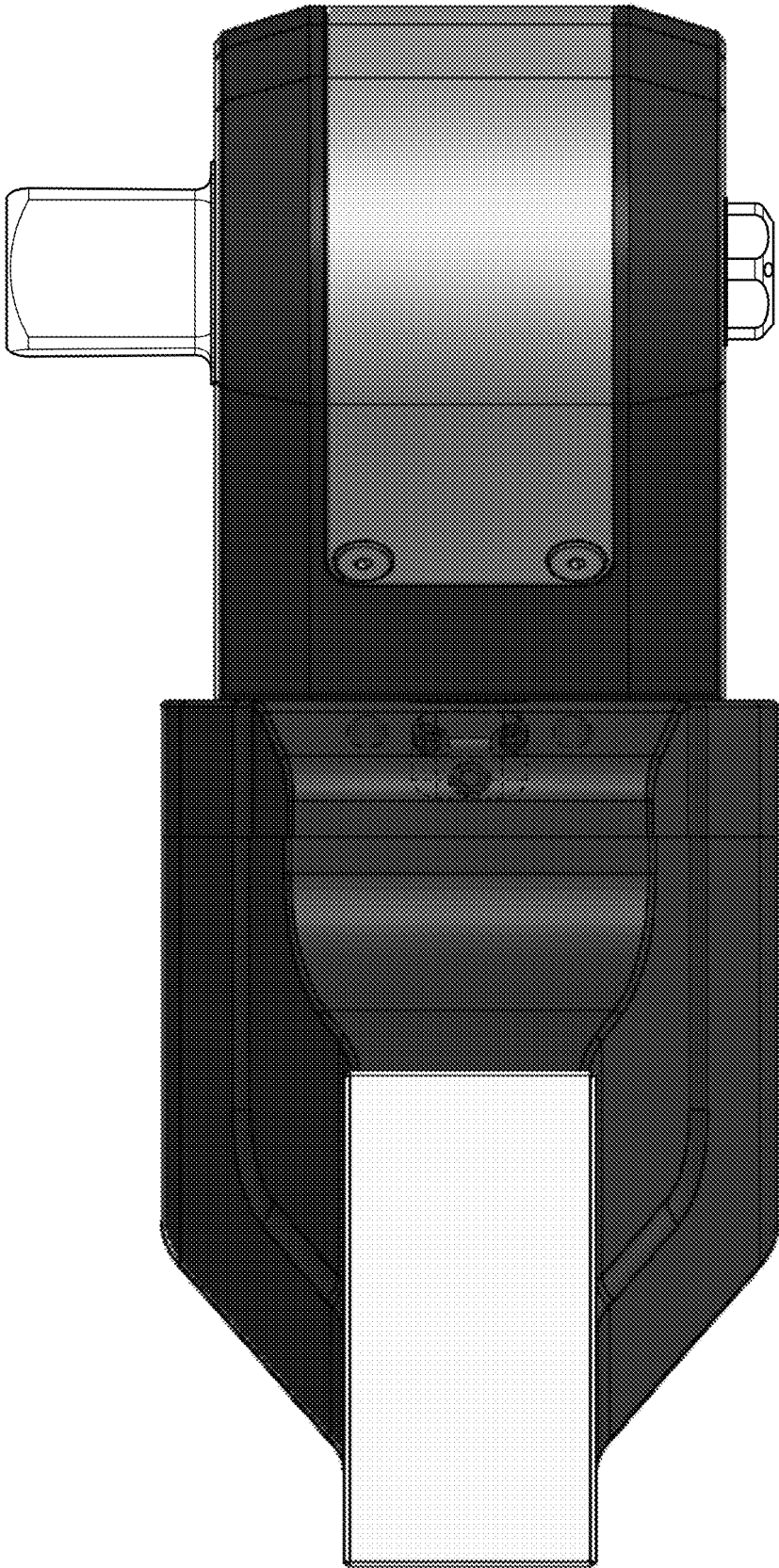


FIG. 1.8