



US00D810584S

(12) **United States Design Patent** (10) **Patent No.:** **US D810,584 S**  
**Bystedt et al.** (45) **Date of Patent:** **\*\* Feb. 20, 2018**

(54) **LIQUID DISPENSER**  
(71) Applicant: **BOSIGN AB**, Stockholm (SE)  
(72) Inventors: **Ulf Bystedt**, Stockholm (SE); **Harald Hynell**, Vaxholm (SE)  
(73) Assignee: **BOSIGN AB**, Stockholm (SE)  
(\*\*) Term: **15 Years**  
(21) Appl. No.: **35/500,705**  
(22) Filed: **Feb. 12, 2016**  
(80) **Hague Agreement Data**  
Int. Filing Date: **Feb. 12, 2016**  
Int. Reg. No.: **DM/089571**  
Int. Reg. Date: **Feb. 12, 2016**  
Int. Reg. Pub. Date: **Mar. 11, 2016**

(30) **Foreign Application Priority Data**  
Feb. 12, 2016 (WO) ..... DM/089 571  
(51) **LOC (11) Cl.** ..... **09-01**  
(52) **U.S. Cl.**  
USPC ..... **D9/723**  
(58) **Field of Classification Search**  
USPC ..... D9/503, 516, 738, 454  
See application file for complete search history.

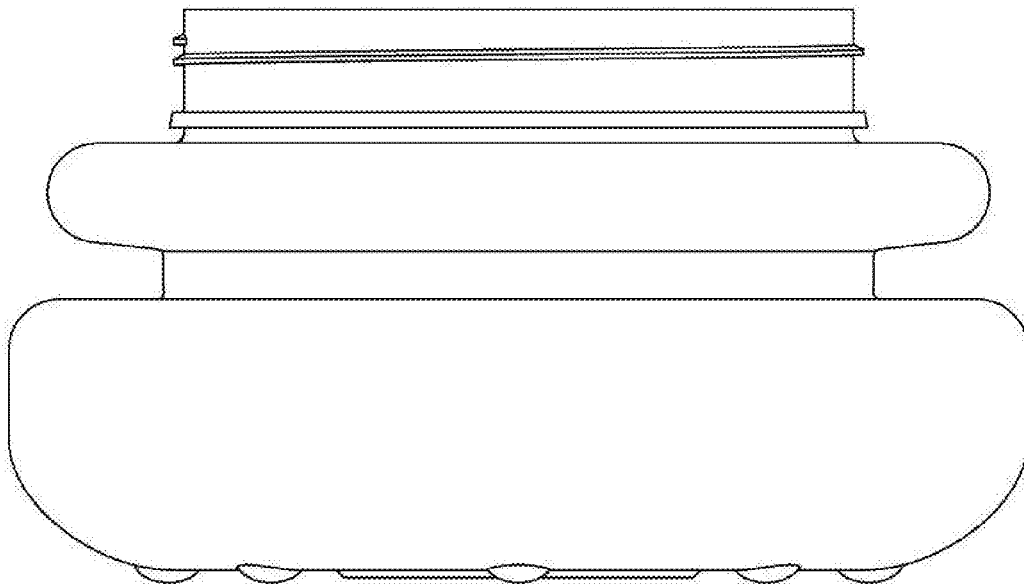
(56) **References Cited**  
U.S. PATENT DOCUMENTS  
D57,488 S \* 4/1921 Vivaudou ..... D9/503  
3,357,395 A 12/1967 Lorber  
4,190,180 A 2/1980 Bennet  
D354,001 S \* 1/1995 Park ..... D9/516  
D555,013 S \* 11/2007 Bartolone ..... D9/738  
D641,257 S \* 7/2011 Thiebaut ..... D9/454  
\* cited by examiner  
*Primary Examiner* — Rhea Shields  
(74) *Attorney, Agent, or Firm* — Jeffrey S. Melcher;  
Manelli Selter PLLC

(57) **CLAIM**  
The ornamental design for a liquid dispenser, as shown and described.

**DESCRIPTION**

- 3.1 : Back;
- 3.2 : Bottom;
- 3.3 : Front;
- 3.4 : Left;
- 3.5 : Right;
- 3.6 : Top; and
- 3.7 : Perspective.

**1 Claim, 7 Drawing Sheets**



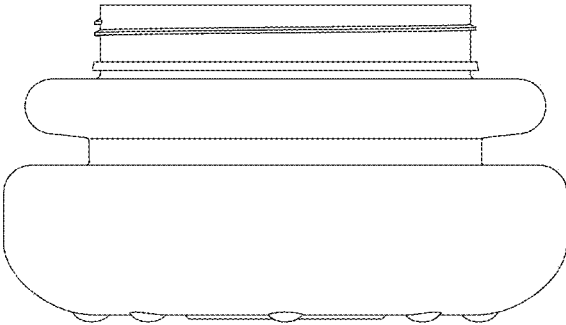


Fig. 3.1

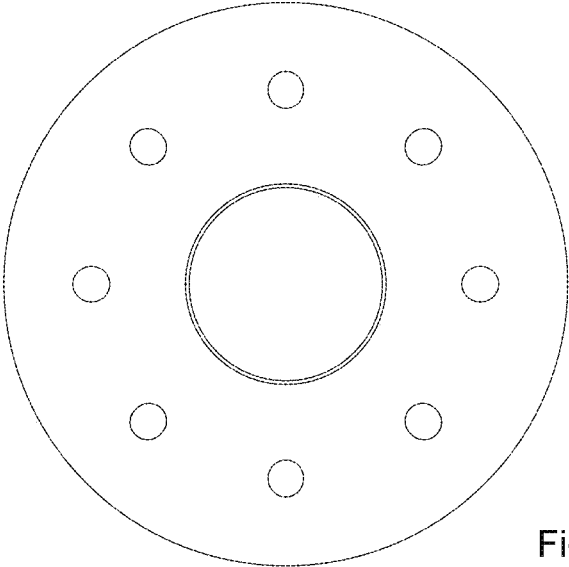


Fig. 3.2

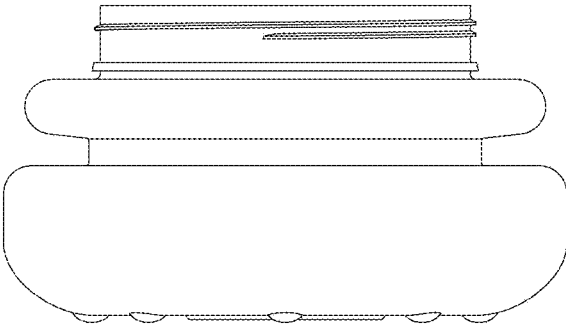


Fig. 3.3

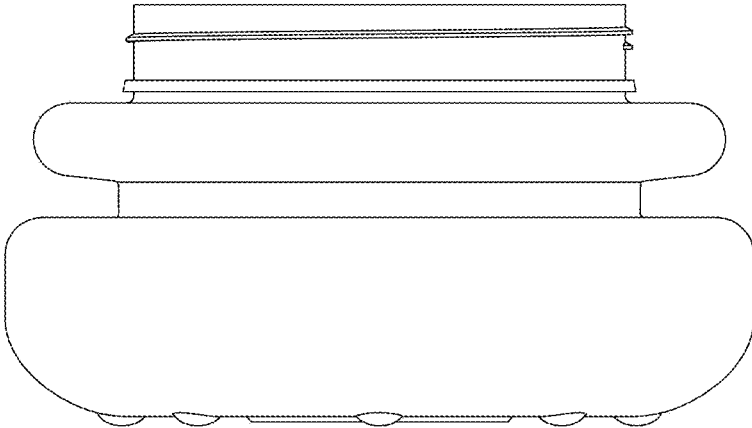


Fig. 3.4

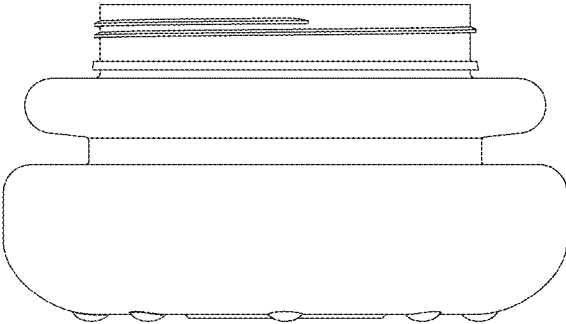


Fig. 3.5

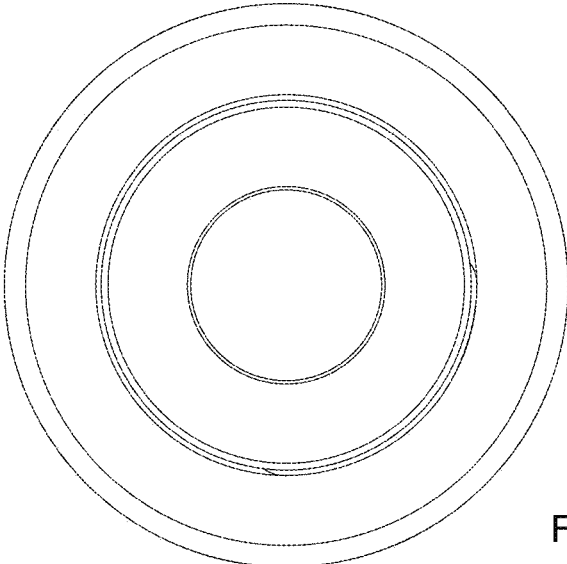


Fig. 3.6

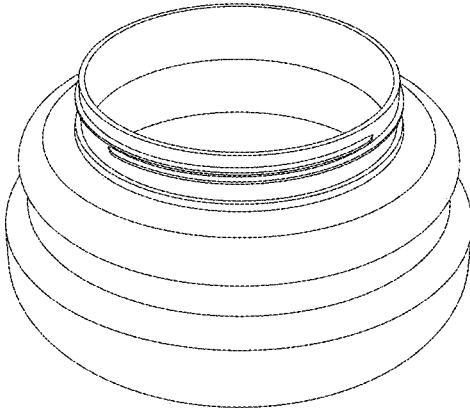


Fig. 3.7