

(19) World Intellectual Property Organization
International Bureau



(43) International Publication Date
21 March 2002 (21.03.2002)

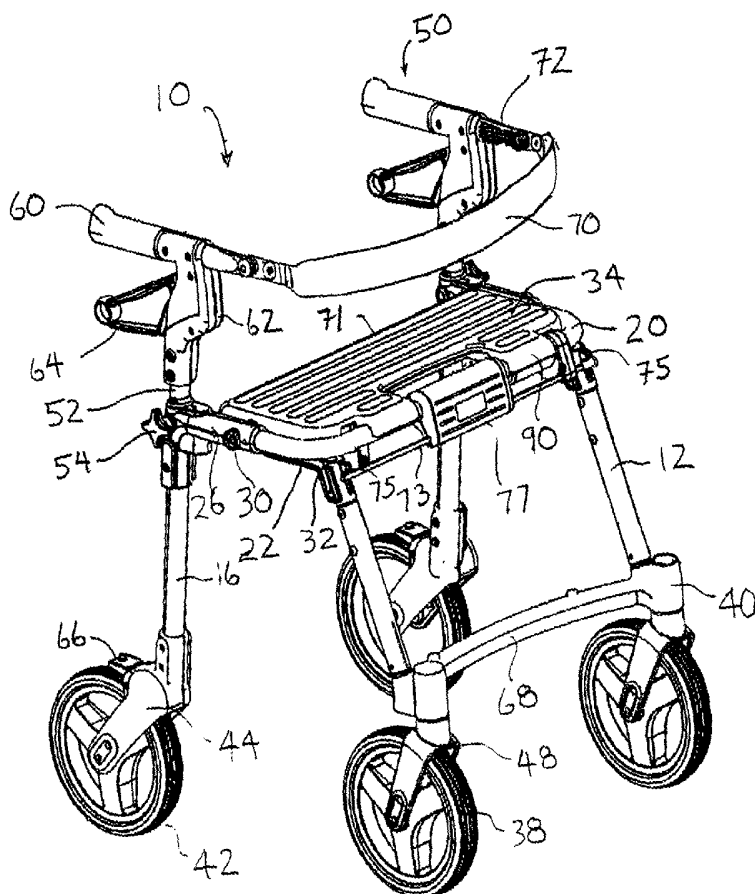
PCT

(10) International Publication Number
WO 02/022070 A3

- (51) International Patent Classification⁷: A61H 3/04, B62B 5/04 Lower Collmore Rock Drive, P.O. Box 1132, Bridgetown (BB).
- (21) International Application Number: PCT/CA01/01304 (72) Inventors; and (75) Inventors/Applicants (for US only): HALLGRIMSSON, Bjarki [CA/CA]; 167 Crocus Avenue, Ottawa, Ontario K1H 6E5 (CA). DOBBIN, Sarah [CA/CA]; Apt. 4, 582 Lisgar Street, Ottawa, Ontario K1R 5H7 (CA). MACMILLAN, Douglas, D. [CA/CA]; 389 Templeton Street, Ottawa, Ontario K1N 6Y1 (CA).
- (22) International Filing Date: 12 September 2001 (12.09.2001)
- (25) Filing Language: English
- (26) Publication Language: English (74) Agent: AITKEN, David, W.; Osler, Hoskin & Harcourt LLP, Suite 1500, 50 O'Connor Street, Ottawa, Ontario K1P 6L2 (CA).
- (30) Priority Data:
2,318,028 12 September 2000 (12.09.2000) CA
2,329,485 21 December 2000 (21.12.2000) CA (81) Designated States (national): AE, AG, AL, AM, AT, AU, AZ, BA, BB, BG, BR, BY, BZ, CA, CH, CN, CO, CR, CU, CZ, DE, DK, DM, DZ, EC, EE, ES, FI, GB, GD, GE, GH, GM, HR, HU, ID, IL, IN, IS, JP, KE, KG, KP, KR, KZ, LC,
- (71) Applicant (for all designated States except US): RANDOM PRODUCTS TRUST [BB/BB]; Lauriston House,

[Continued on next page]

(54) Title: WHEELED WALKER



(57) Abstract: A wheeled walker convertible to a transport chair. The walker has a strap-type backrest that is pivotally attached to the upper end of the handlebars. The backrest can be placed in a forward position when the apparatus is used as a walker and the user wishes to rest in a rearward facing sitting position and in a rearward position when the apparatus is used as a transport chair and the user sits in a forward facing position and is propelled by a care-giver. The walker has a carry basket mounted between the front leg members. The mounting arrangement permits the basket to be moved between a first position in which the basket projects forward of the front leg members for ease of loading and unloading and a second position in which the basket is displaced substantially rearward of the front leg members under the seating surface. A novel braking system locates the brake actuating linkage inside the leg and handlebar members and provides accommodates extension height adjustment of the handlebars. A brake lever system providing a linear pull non-cable brake actuation is also disclosed.



WO 02/022070 A3



LK, LR, LS, LT, LU, LV, MA, MD, MG, MK, MN, MW, MX, MZ, NO, NZ, PH, PL, PT, RO, RU, SD, SE, SG, SI, SK, SL, TJ, TM, TR, TT, TZ, UA, UG, US, UZ, VN, YU, ZA, ZW.

(84) Designated States (regional): ARIPO patent (GH, GM, KE, LS, MW, MZ, SD, SL, SZ, TZ, UG, ZW), Eurasian patent (AM, AZ, BY, KG, KZ, MD, RU, TJ, TM), European patent (AT, BE, CH, CY, DE, DK, ES, FI, FR, GB, GR, IE, IT, LU, MC, NL, PT, SE, TR), OAPI patent (BF, BJ, CF, CG, CI, CM, GA, GN, GQ, GW, ML, MR, NE, SN, TD, TG).

Published:

- *with international search report*
- *before the expiration of the time limit for amending the claims and to be republished in the event of receipt of amendments*

(88) Date of publication of the international search report:
23 January 2003

For two-letter codes and other abbreviations, refer to the "Guidance Notes on Codes and Abbreviations" appearing at the beginning of each regular issue of the PCT Gazette.

INTERNATIONAL SEARCH REPORT

International Application No

PCT/CA 01/01304

A. CLASSIFICATION OF SUBJECT MATTER
 IPC 7 A61H3/04 B62B5/04

According to International Patent Classification (IPC) or to both national classification and IPC

B. FIELDS SEARCHED

Minimum documentation searched (classification system followed by classification symbols)

IPC 7 A61H

Documentation searched other than minimum documentation to the extent that such documents are included in the fields searched

Electronic data base consulted during the international search (name of data base and, where practical, search terms used)

EPO-Internal, PAJ

C. DOCUMENTS CONSIDERED TO BE RELEVANT

Category °	Citation of document, with indication, where appropriate, of the relevant passages	Relevant to claim No.
A	US 5 772 234 A (LUO CHUNG-I) 30 June 1998 (1998-06-30) column 2, line 54 - line 56 column 3, line 40 - line 46 column 4, line 31 - line 36 figures 1,9,10 ---	1-3,7,8, 11
A	US 5 605 345 A (LAUTZENHISER LLOYD L ET AL) 25 February 1997 (1997-02-25) cited in the application abstract; figures ---	1
A	PATENT ABSTRACTS OF JAPAN vol. 1999, no. 01, 29 January 1999 (1999-01-29) & JP 10 277110 A (ARACO CORP), 20 October 1998 (1998-10-20) abstract; figures -----	1

Further documents are listed in the continuation of box C.

Patent family members are listed in annex.

° Special categories of cited documents :

"A" document defining the general state of the art which is not considered to be of particular relevance

"E" earlier document but published on or after the international filing date

"L" document which may throw doubts on priority claim(s) or which is cited to establish the publication date of another citation or other special reason (as specified)

"O" document referring to an oral disclosure, use, exhibition or other means

"P" document published prior to the international filing date but later than the priority date claimed

"T" later document published after the international filing date or priority date and not in conflict with the application but cited to understand the principle or theory underlying the invention

"X" document of particular relevance; the claimed invention cannot be considered novel or cannot be considered to involve an inventive step when the document is taken alone

"Y" document of particular relevance; the claimed invention cannot be considered to involve an inventive step when the document is combined with one or more other such documents, such combination being obvious to a person skilled in the art.

"&" document member of the same patent family

Date of the actual completion of the international search

4 July 2002

Date of mailing of the international search report

11. 11. 2002

Name and mailing address of the ISA

European Patent Office, P.B. 5818 Patentlaan 2
 NL - 2280 HV Rijswijk
 Tel. (+31-70) 340-2040, Tx. 31 651 epo nl,
 Fax: (+31-70) 340-3016

Authorized officer

SEDY R.

INTERNATIONAL SEARCH REPORT

International application No.
PCT/CA 01/01304

Box I Observations where certain claims were found unsearchable (Continuation of item 1 of first sheet)

This International Search Report has not been established in respect of certain claims under Article 17(2)(a) for the following reasons:

1. Claims Nos.:
because they relate to subject matter not required to be searched by this Authority, namely:

2. Claims Nos.:
because they relate to parts of the International Application that do not comply with the prescribed requirements to such an extent that no meaningful International Search can be carried out, specifically:

3. Claims Nos.:
because they are dependent claims and are not drafted in accordance with the second and third sentences of Rule 6.4(a).

Box II Observations where unity of invention is lacking (Continuation of item 2 of first sheet)

This International Searching Authority found multiple inventions in this international application, as follows:

see additional sheet

1. As all required additional search fees were timely paid by the applicant, this International Search Report covers all searchable claims.

2. As all searchable claims could be searched without effort justifying an additional fee, this Authority did not invite payment of any additional fee.

3. As only some of the required additional search fees were timely paid by the applicant, this International Search Report covers only those claims for which fees were paid, specifically claims Nos.:

4. No required additional search fees were timely paid by the applicant. Consequently, this International Search Report is restricted to the invention first mentioned in the claims; it is covered by claims Nos.:

1-12

Remark on Protest

The additional search fees were accompanied by the applicant's protest.

No protest accompanied the payment of additional search fees.

FURTHER INFORMATION CONTINUED FROM PCT/ISA/ 210

This International Searching Authority found multiple (groups of) inventions in this international application, as follows:

1. Claims: 1-12

Convertible walker/transport chair apparatus having a longitudinal axis in the forward and rearward directions, a pair of front wheels mounted on front leg members, a pair of rear wheels mounted on rear leg members, a horizontal seating surface, a pair of height adjustable handle bar members, an arcuate shaped backrest, pivotal attachment means for the backrest and stop means for the backrest (object: walking aid that offers all the functionality of a conventional wheeled walker and adapted to support a rearward and forward facing seated user's back)

2. Claims: 13-21

wheeled walker having a pair of front and rear leg members with wheels, horizontal seating surface, pair of handle bars plus carry basket (object: transport of articles)

3. Claims: 22-30,31-35

walker having front and rear wheels mounted on front and rear leg members, respectively, a pair of rear brackets, and a brake actuator assembly (object: improved brake actuating system)

INTERNATIONAL SEARCH REPORT

Information on patent family members

International Application No

PCT/CA 01/01304

Patent document cited in search report		Publication date		Patent family member(s)	Publication date
US 5772234	A	30-06-1998	DE	29717488 U1	27-11-1997
US 5605345	A	25-02-1997	CA	2133628 A1	22-04-1995
JP 10277110	A	20-10-1998	NONE		