



US00D666923S

(12) **United States Design Patent**
Buffington et al.

(10) **Patent No.:** **US D666,923 S**

(45) **Date of Patent:** **** Sep. 11, 2012**

(54) **APPLICATOR TIP**

(75) Inventors: **Kimberly Dawn Buffington**, Greenville, SC (US); **Victoria Louise Walker**, San Mateo, CA (US)

(73) Assignee: **Prym Consumer USA, Inc.**, Spartanburg, SC (US)

(**) Term: **14 Years**

(21) Appl. No.: **29/391,713**

(22) Filed: **May 12, 2011**

(51) **LOC (9) Cl.** **09-01**

(52) **U.S. Cl.** **D9/723**

(58) **Field of Classification Search** D9/434-436, D9/452-454, 723-729; D28/7, 88, 89; 221/64, 221/65, 135, 208, 278, 282; 222/105, 394, 222/402.1, 402.15, 546

See application file for complete search history.

(56) **References Cited**

U.S. PATENT DOCUMENTS

619,845 A	2/1899	Shattuck	
D31,279 S	7/1899	Davol	
2,036,549 A	4/1936	Smith	
3,167,202 A	1/1965	Tolciss	
D203,896 S *	2/1966	Klun	D9/436
D292,966 S *	12/1987	Gager	D9/436
5,120,148 A	6/1992	Waters	
D327,648 S	7/1992	Cane	
D329,379 S *	9/1992	Jorgensen et al.	D9/434
D361,380 S	8/1995	Linner	

D370,388 S	6/1996	Cusick	
D412,107 S *	7/1999	Bosshardt	D9/697
D468,164 S *	1/2003	Gerenraich	D7/619.1
D468,165 S *	1/2003	Gerenraich	D7/619.1
D475,295 S *	6/2003	Love	D9/451
D491,469 S *	6/2004	Horie et al.	D9/529
D501,045 S	1/2005	Sakaria et al.	
D536,623 S *	2/2007	Ozaki et al.	D9/724
D547,181 S *	7/2007	Miller	D9/435
D630,524 S *	1/2011	van Dullemen et al.	D9/725
D630,732 S *	1/2011	Lev et al.	D24/129
D640,923 S *	7/2011	Kim	D9/434

* cited by examiner

Primary Examiner — Stella Reid

Assistant Examiner — Keli L Hill

(74) *Attorney, Agent, or Firm* — J. Bennett Mullinax, LLC

(57) **CLAIM**

The ornamental design for an applicator tip, as shown and described.

DESCRIPTION

FIG. 1 is a perspective view of an applicator tip, embodying our new design;

FIG. 2 is a front elevation view thereof;

FIG. 3 is a back elevation view thereof;

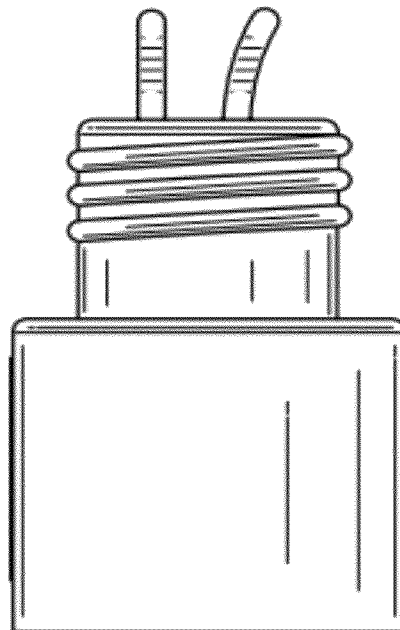
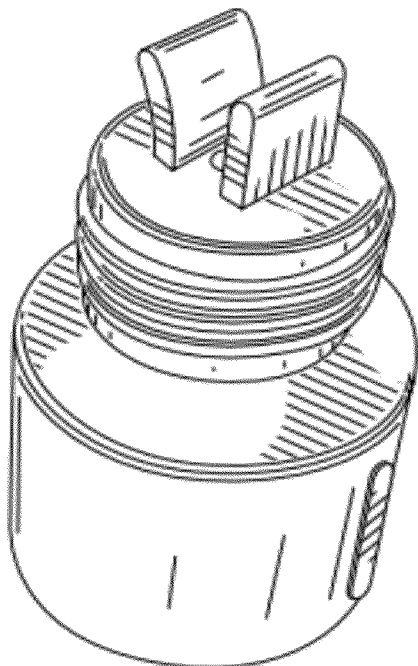
FIG. 4 is a right side elevation view thereof;

FIG. 5 is a left side elevation view thereof;

FIG. 6 is a top plan view thereof; and,

FIG. 7 is a bottom plan view thereof.

1 Claim, 6 Drawing Sheets



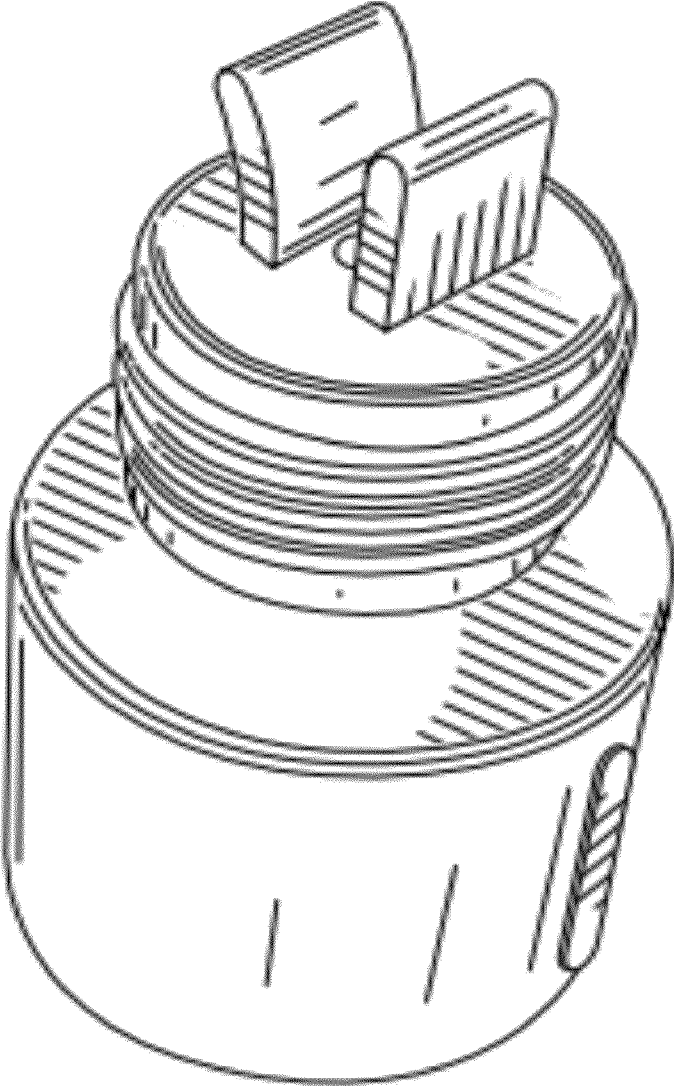


FIG. 1

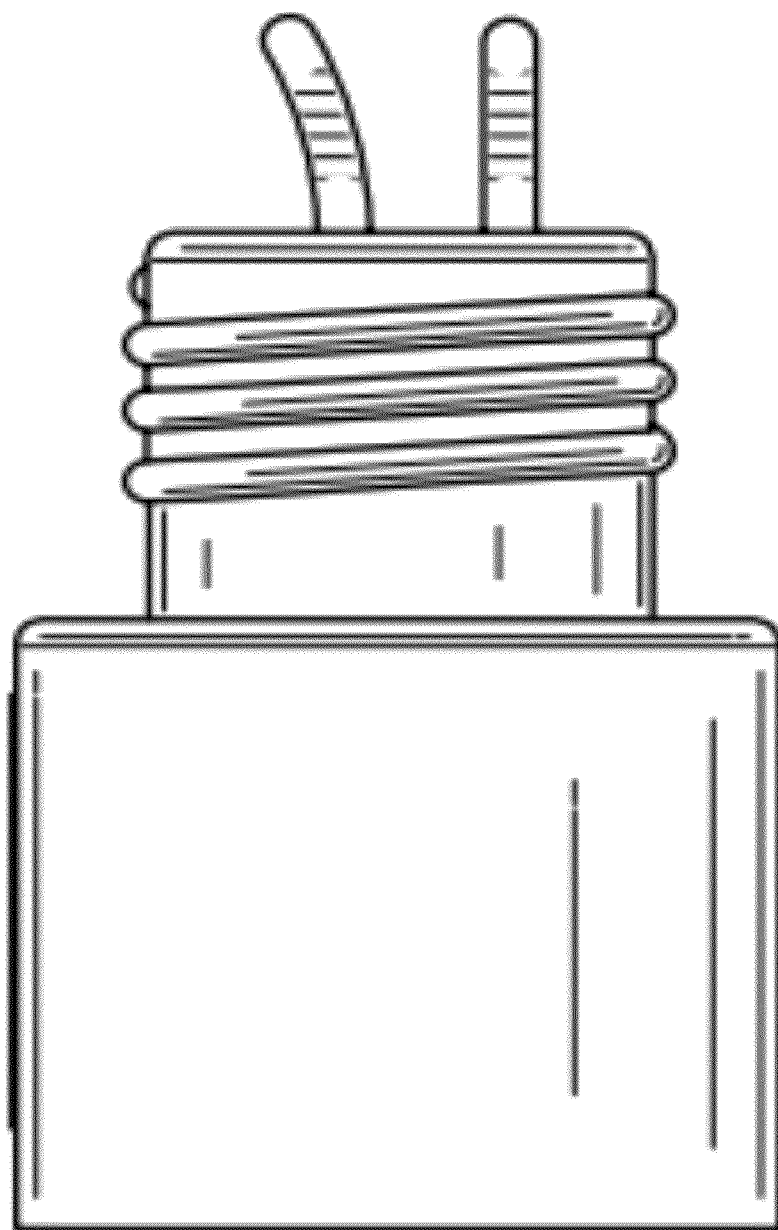


FIG. 2

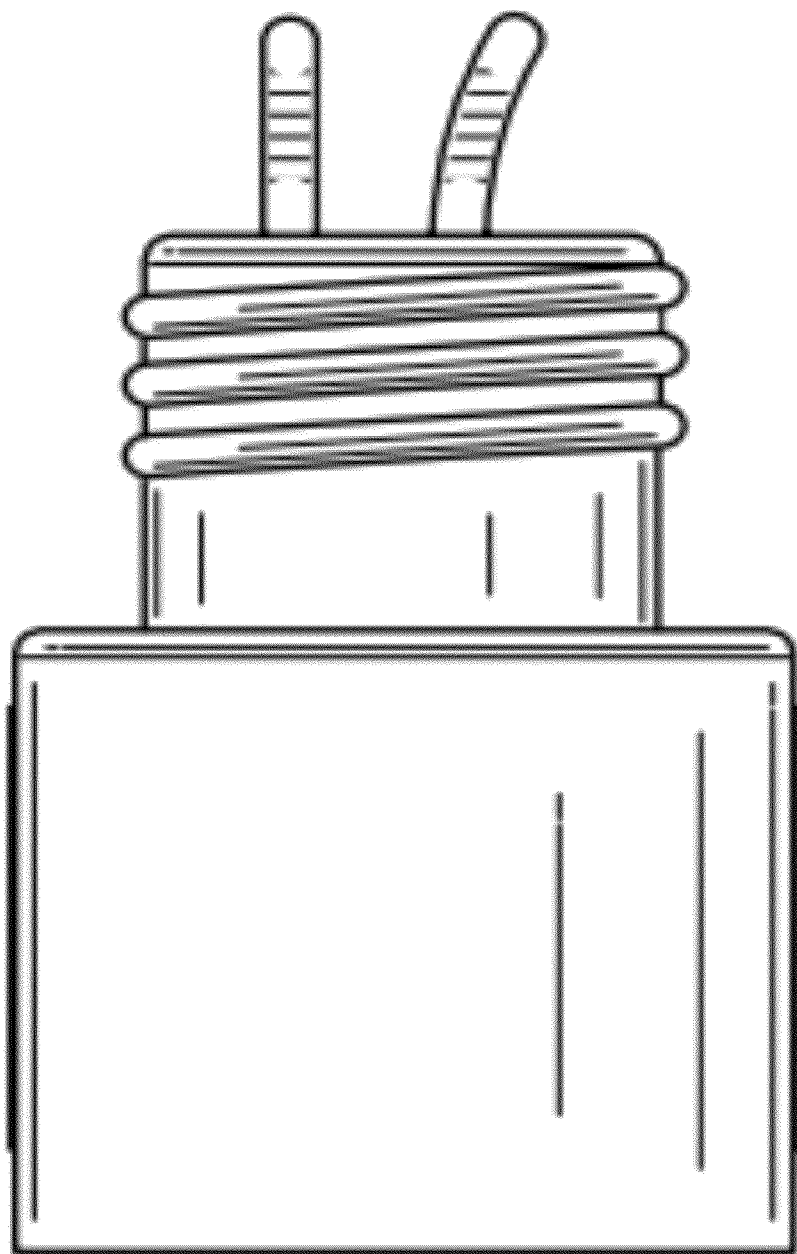


FIG. 3

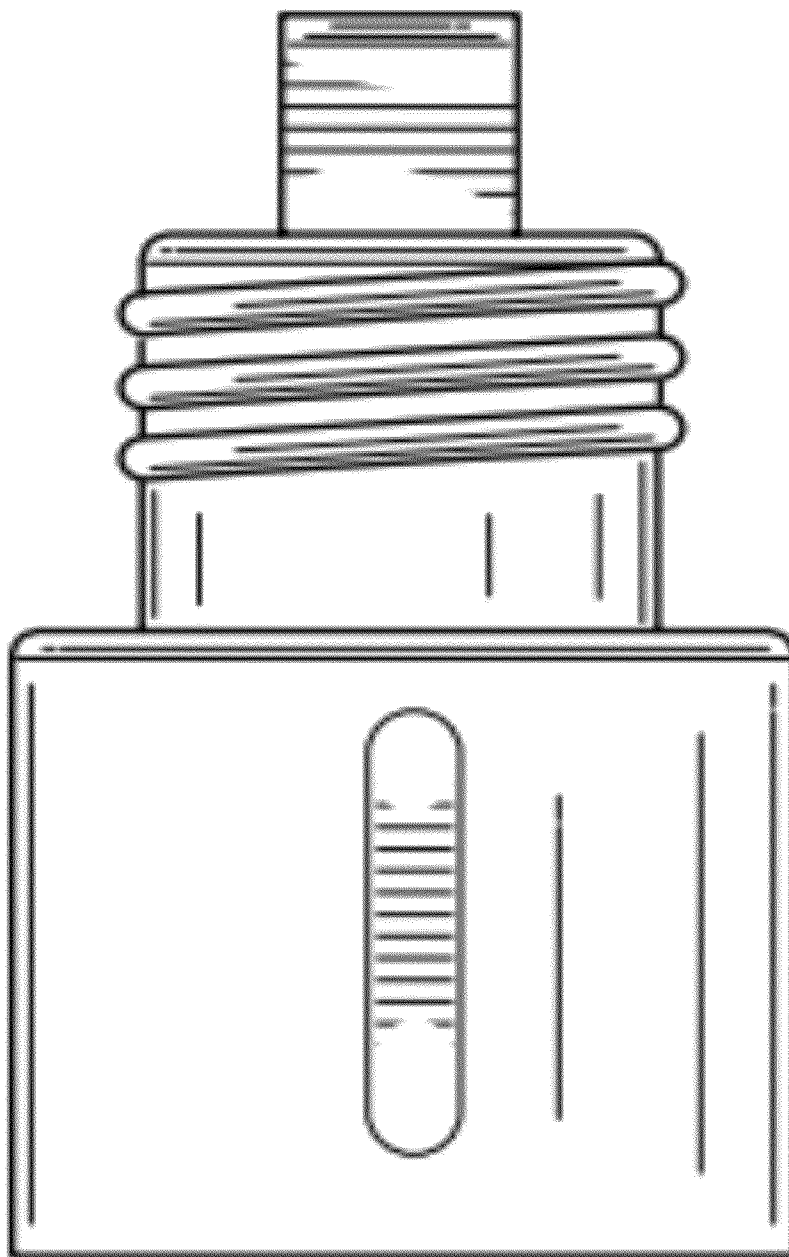


FIG. 4

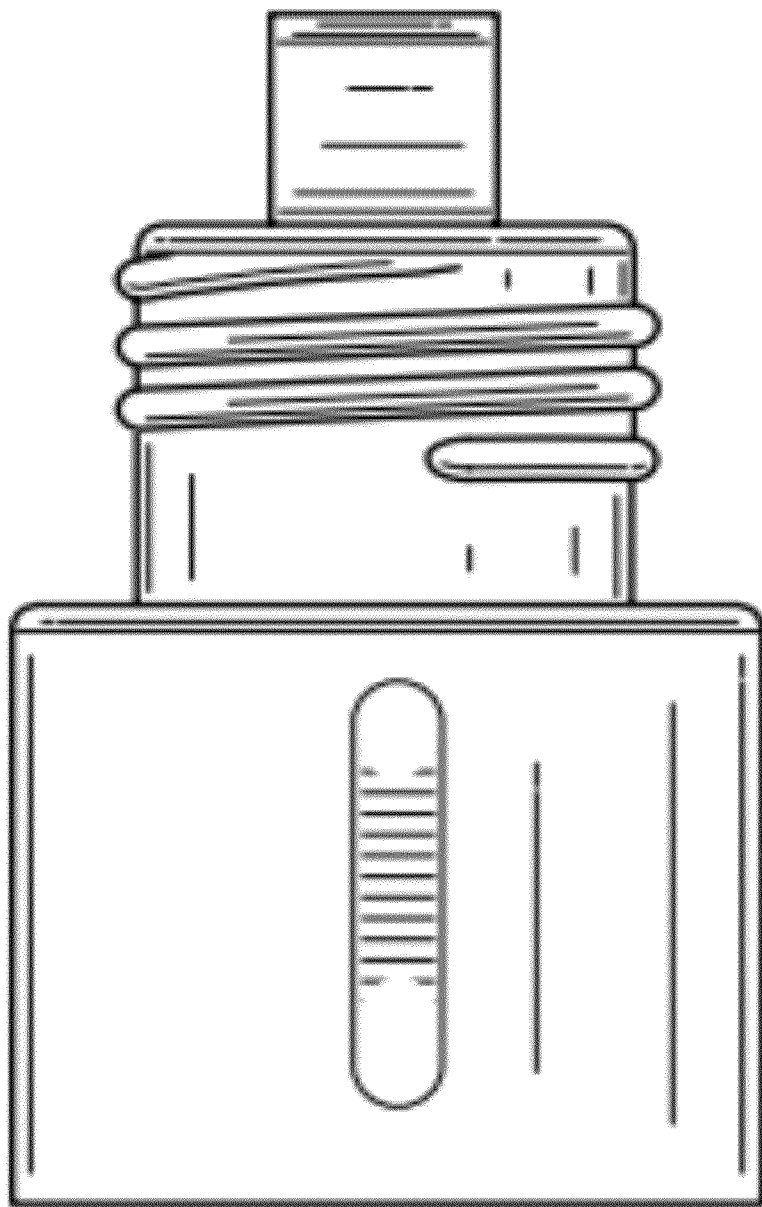


FIG. 5

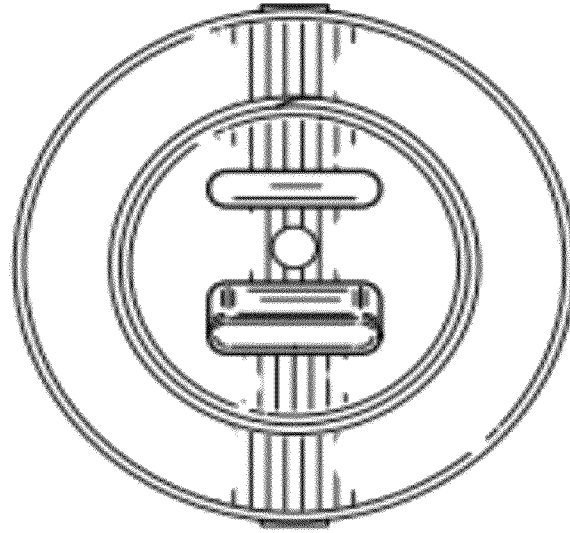


FIG. 6

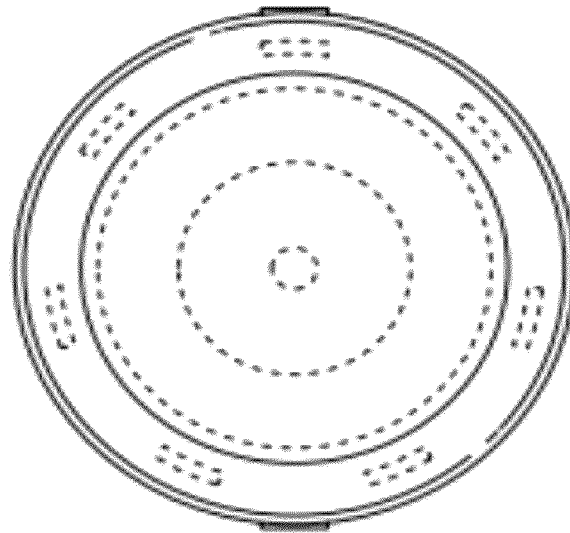


FIG. 7