



US0D1069884S

(12) **United States Design Patent**
Wang et al.

(10) **Patent No.:** **US D1,069,884 S**
(45) **Date of Patent:** **** Apr. 8, 2025**

(54) **CAMERA GRIP PLATE**
(71) Applicant: **SHENZHEN NEEWER TECHNOLOGY CO.LTD**, Shenzhen (CN)
(72) Inventors: **Liuyin Wang**, Shenzhen (CN); **Jun Wang**, Shenzhen (CN); **Yan Ke**, Shenzhen (CN)
(**) Term: **15 Years**

D678,386 S 3/2013 Huguley
D701,554 S 3/2014 Huguley
D710,426 S * 8/2014 Sato D16/243
D829,265 S 9/2018 Kiernan-Lewis
D908,779 S * 1/2021 Lenihan D16/242
D945,517 S * 3/2022 Wu D16/242

(Continued)

FOREIGN PATENT DOCUMENTS

JP D1440042 * 5/2012
KR 300697761.0000 * 7/2013

OTHER PUBLICATIONS

Newer, product availability Jan. 24, 2024 [online], picture review Dec. 21, 2023 [online], [site visited May 16, 2024];URL:<https://www.amazon.com/gp/product/B0CT4M86LD/ref=sw_img_1?smid=A246A0QP2DML5W&th=1> (Year: 2023).*

(Continued)

Primary Examiner — Bao-Yen T Nguyen
Assistant Examiner — Loryn K. LeBlanc

(57) **CLAIM**

The ornamental design for a camera grip plate as shown and described.

DESCRIPTION

FIG. 1 is a front, left and top perspective view of a camera grip plate showing our new design;
FIG. 2 is a rear, right and bottom perspective view thereof;
FIG. 3 is a front elevational view thereof;
FIG. 4 is a rear elevational view thereof;
FIG. 5 is a right view thereof;
FIG. 6 is a left view thereof;
FIG. 7 is a top plan view thereof; and,
FIG. 8 is a bottom plan view thereof.
The broken lines illustrate portions of the camera grip plate that form no part of the claimed design.

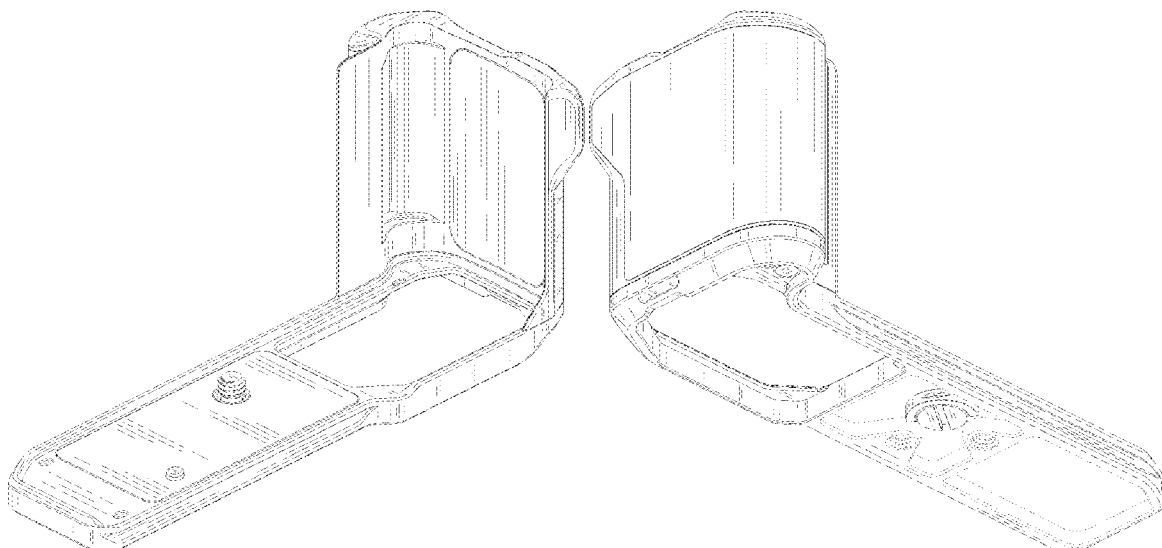
1 Claim, 8 Drawing Sheets

(21) Appl. No.: **29/933,452**
(22) Filed: **Apr. 14, 2024**
(51) **LOC (15) Cl.** **16-05**
(52) **U.S. Cl.**
USPC **D16/243**
(58) **Field of Classification Search**
USPC D8/303, 307, 354, 355, 363, 373, D8/382-383, 394-396; D14/224, 229, D14/238, 251, 253, 447, 451, 457; D16/219, 237-250
CPC A45F 5/00; A45F 5/10; F16M 11/06-10; F16M 11/14; G02B 7/00-002; G03B 17/56; G03B 17/561-566
See application file for complete search history.

(56) **References Cited**

U.S. PATENT DOCUMENTS

D201,158 S * 5/1965 Wessels D16/237
3,437,029 A * 4/1969 Rydstedt G03B 17/563
294/169
D230,348 S * 2/1974 Sabel D8/371
4,037,240 A * 7/1977 Ando G03B 17/563
396/425
D246,372 S * 11/1977 Yoshino D16/243
D270,916 S * 10/1983 Cheplo D16/243
D289,878 S * 5/1987 Kato D16/219
6,118,949 A * 9/2000 Ohtani G03B 17/425
396/539
D677,309 S * 3/2013 Asano D16/243



(56)

References Cited

U.S. PATENT DOCUMENTS

D948,594 S * 4/2022 Cursley D16/237
D961,653 S 8/2022 Dai
D986,941 S * 5/2023 Cursley D16/237
2024/0085768 A1 * 3/2024 Zhou G03B 17/561

OTHER PUBLICATIONS

Fujifilm, product availability Nov. 17, 2022 [online], picture review
Mar. 10, 2024 [online], [site visited May 16, 2024]:URL:<https://www.amazon.com/gp/product/B0BK2Z1WBL/ref=sw_img_1?smid=ATVPDKIKX0DER&psc=1> (Year: 2022).*

* cited by examiner

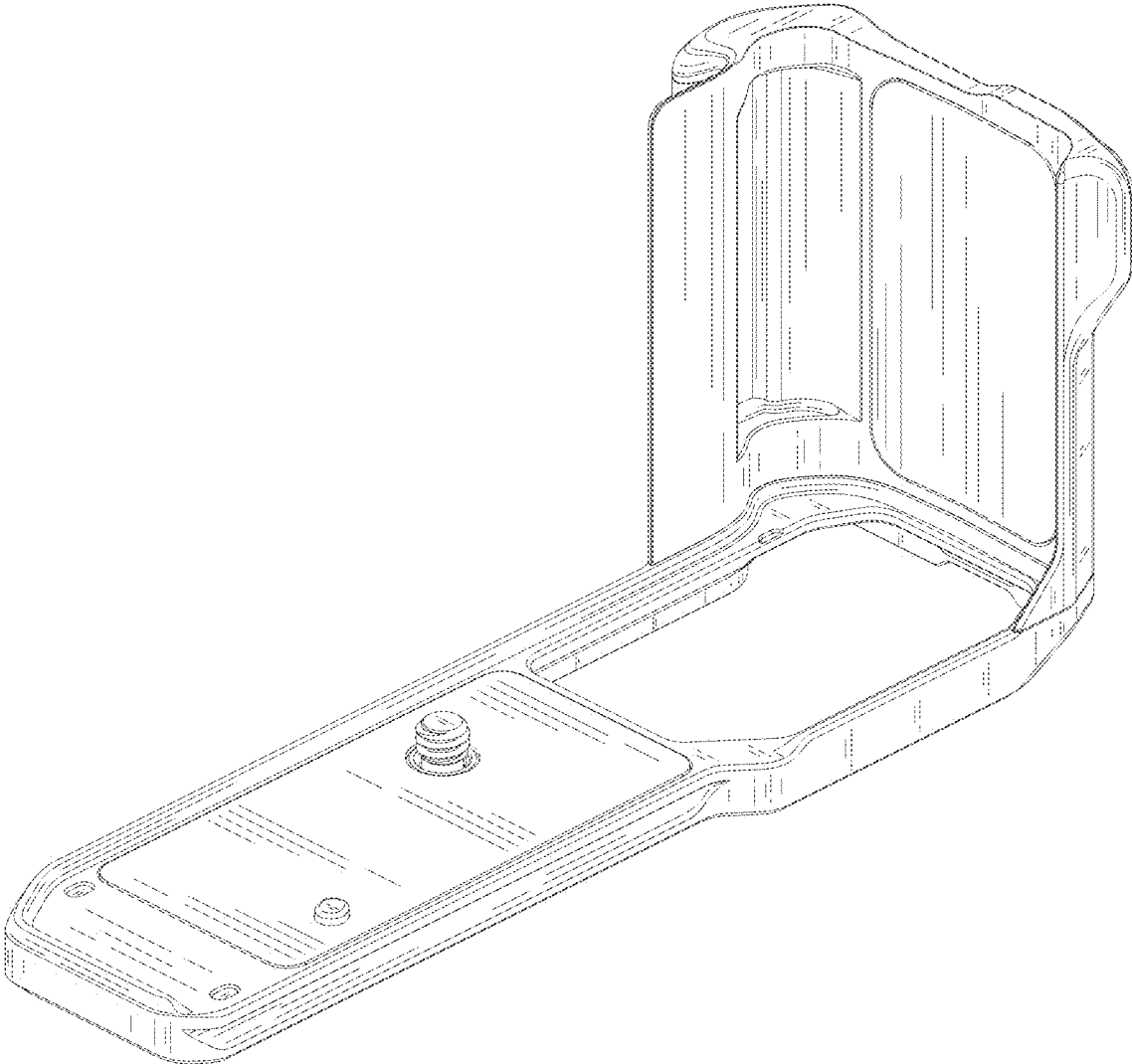


FIG. 1

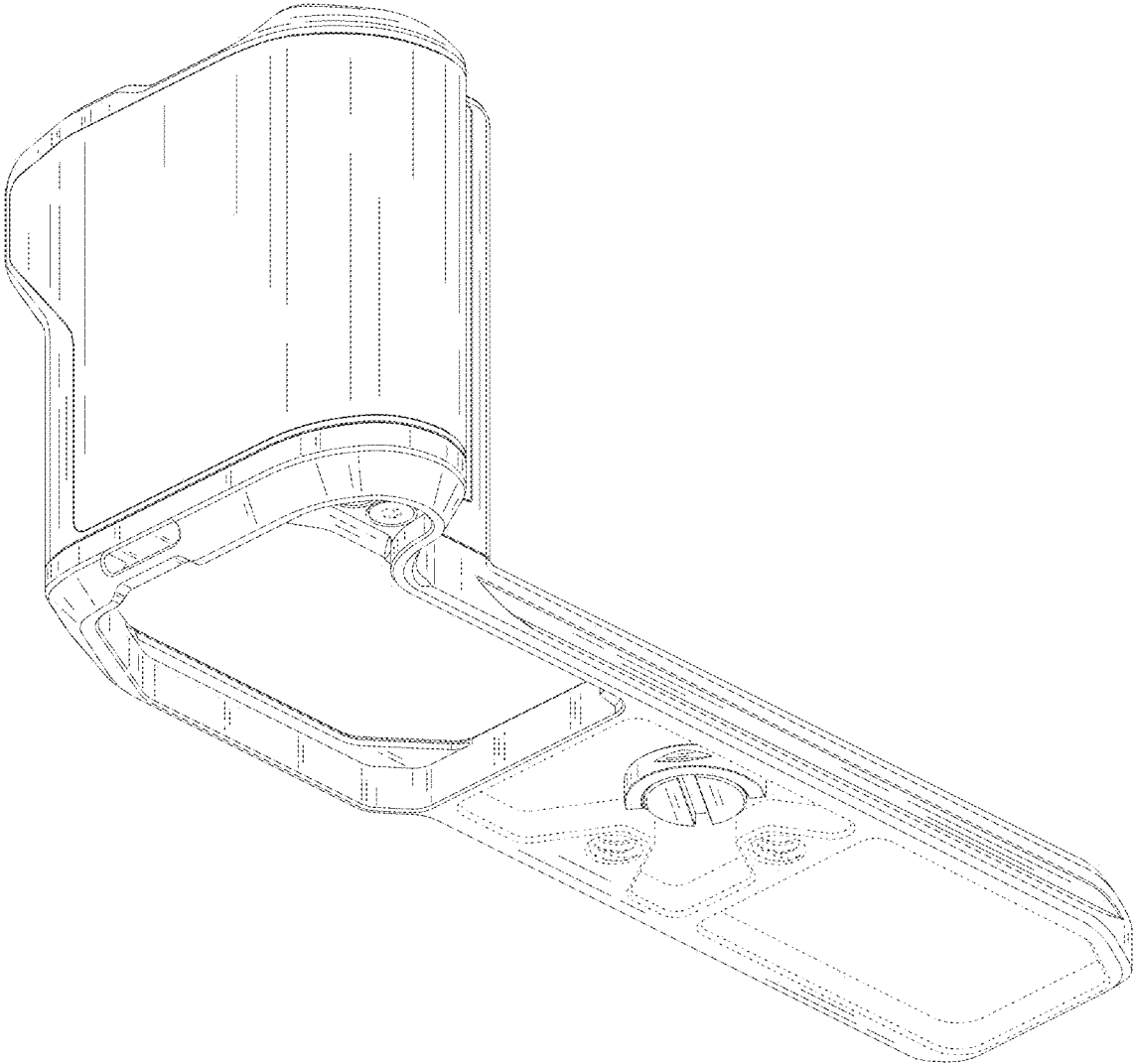


FIG. 2

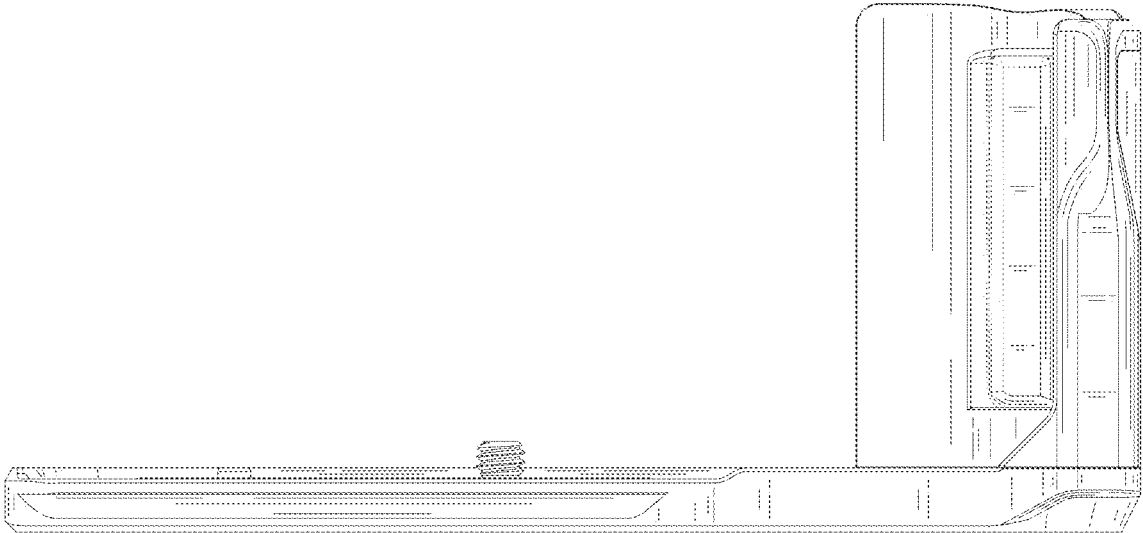


FIG. 3

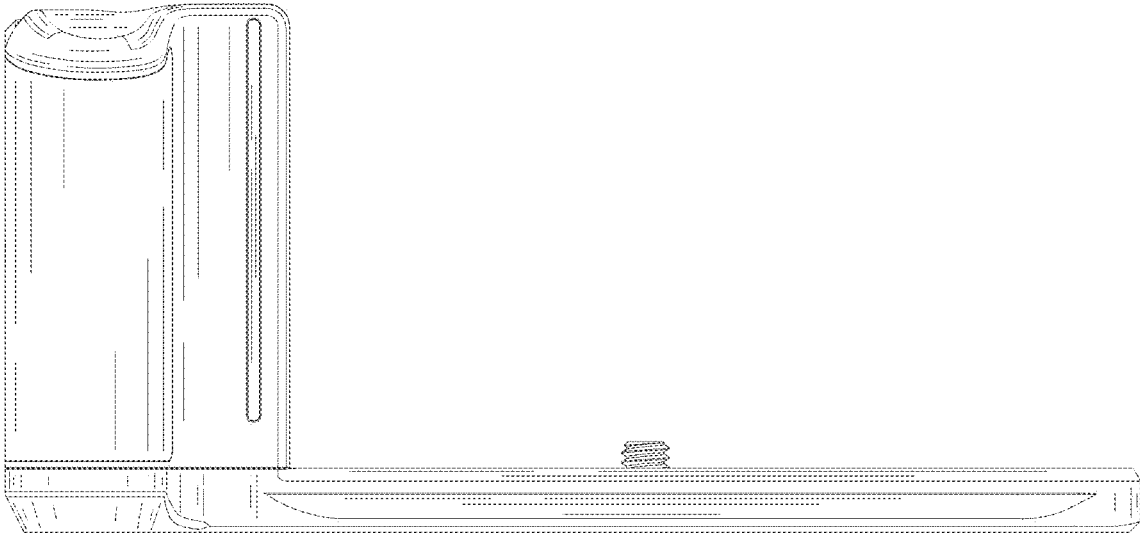


FIG. 4

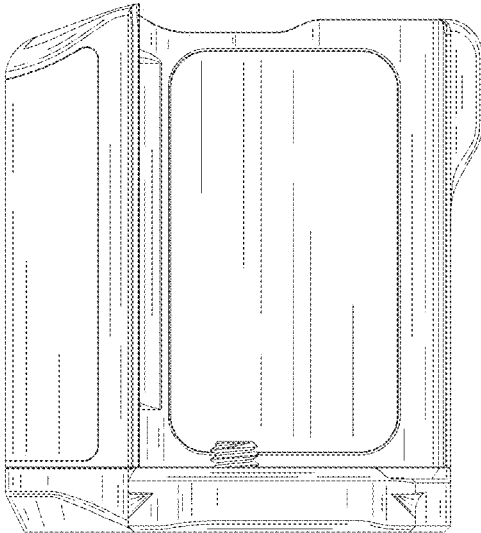


FIG. 5

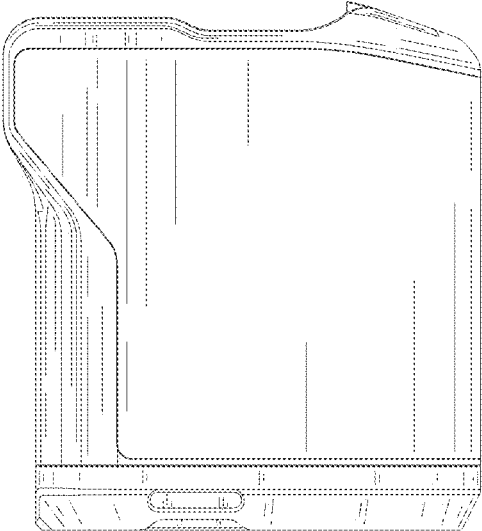


FIG. 6

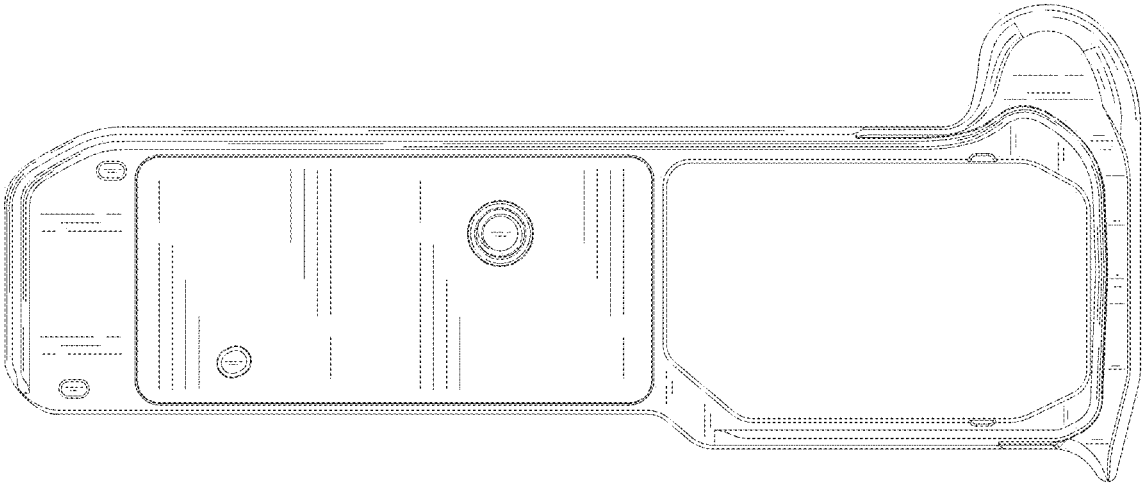


FIG. 7

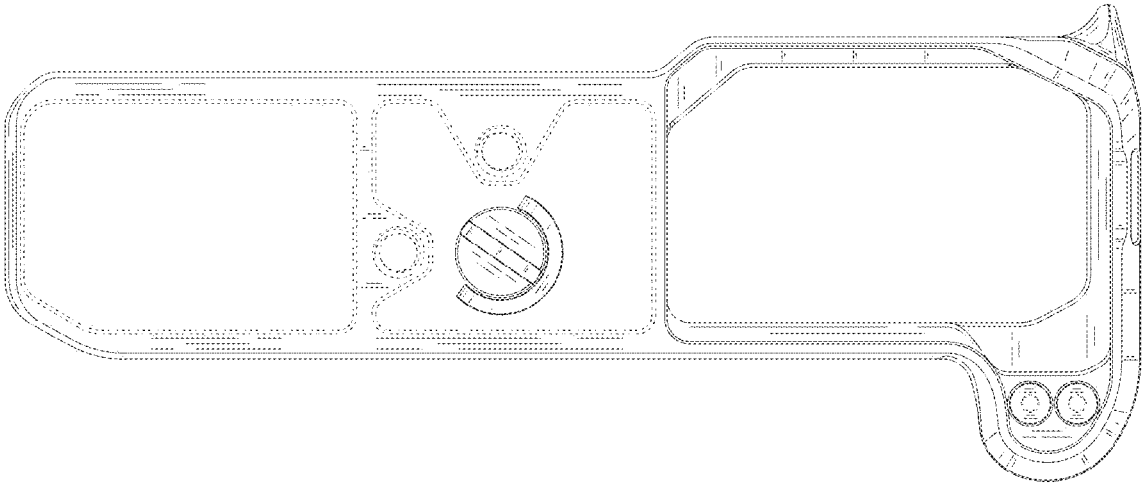


FIG. 8