



US0D1020249S

(12) **United States Design Patent**  
**Li**

(10) **Patent No.:** **US D1,020,249 S**

(45) **Date of Patent:** **\*\* Apr. 2, 2024**

(54) **PROTECTIVE CASE**

(71) Applicant: **Shenzhen Yuxingda Digital Technology Co., Ltd.**, Shenzhen (CN)

(72) Inventor: **Weihuan Li**, Shenzhen (CN)

(73) Assignee: **Shenzhen Yuxingda Digital Technology Co., Ltd.**, Shenzhen (CN)

(\*\*) Term: **15 Years**

(21) Appl. No.: **29/791,512**

(22) Filed: **Jan. 13, 2022**

(30) **Foreign Application Priority Data**

Oct. 31, 2021 (CN) ..... 202130713838.6

(51) **LOC (14) Cl.** ..... **10-05**

(52) **U.S. Cl.**

USPC ..... **D10/104.1**; D10/121; D3/215; D3/218; D30/155; D30/199

(58) **Field of Classification Search**

USPC ..... D3/201, 291, 215, 218, 219, 264, 274, D3/293, 276, 282; D30/199, 155; D10/104.1, 121

CPC . A45C 11/00; A45C 11/005; A45C 2011/001; A45C 5/08

See application file for complete search history.

(56) **References Cited**

**U.S. PATENT DOCUMENTS**

D408,591 S *	4/1999	Litton	.....	D28/82
D507,078 S *	7/2005	Greenfield	.....	D28/82
D537,004 S *	2/2007	Eden	.....	D10/70
D807,215 S *	1/2018	Martin	.....	D10/104.1
D809,951 S *	2/2018	Yang	.....	D10/104.1
D918,891 S *	5/2021	Lee	.....	D3/218
D919,890 S *	5/2021	Chung	.....	D3/215
D962,632 S *	9/2022	Liu	.....	D10/104.1

D970,372 S *	11/2022	Aneja	.....	D10/104.1
D974,945 S *	1/2023	Deng	.....	D10/121
D982,307 S *	4/2023	Wang	.....	D3/207
D998,488 S *	9/2023	Wright	.....	D10/121

**FOREIGN PATENT DOCUMENTS**

CN 307589478 \* 10/2022

**OTHER PUBLICATIONS**

[2022 Airtag Cat Collar Holder], posted Jan. 19, 2022 [online], [retrieved Dec. 27, 2023]. Retrieved from internet, <https://a.co/d/hi2fbia> (Year: 2023).\*

[Sweet Baby Co. Airtag Cat Collar], posted Dec. 15, 2021 [online], [retrieved Dec. 27, 2023]. Retrieved from internet, <https://a.co/d/dijHsjo> (Year: 2021).\*

[Dog Collar Holder for AirTag], posted Jun. 23, 2021 [online], [retrieved Dec. 27, 2023]. Retrieved from internet, <https://a.co/d/i6cN6QA> (Year: 2021).\*

\* cited by examiner

*Primary Examiner* — Cynthia Ramirez

*Assistant Examiner* — Darcy Fabre

(74) *Attorney, Agent, or Firm* — Jeenam Park

(57) **CLAIM**

The ornamental design for a protective case, as shown and described.

**DESCRIPTION**

FIG. 1 is a perspective view of a protective case, showing my new design;

FIG. 2 is another perspective view thereof;

FIG. 3 is a front view thereof;

FIG. 4 is a rear view thereof;

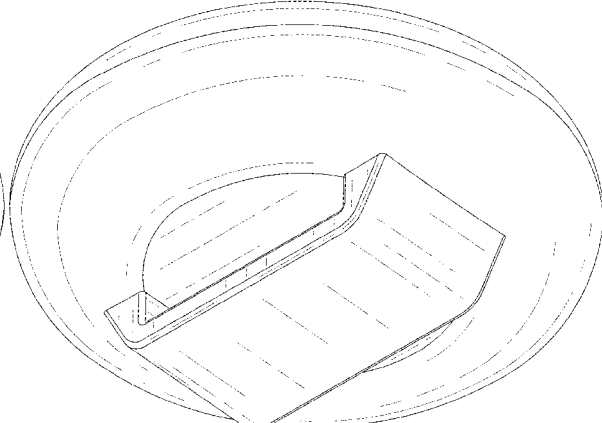
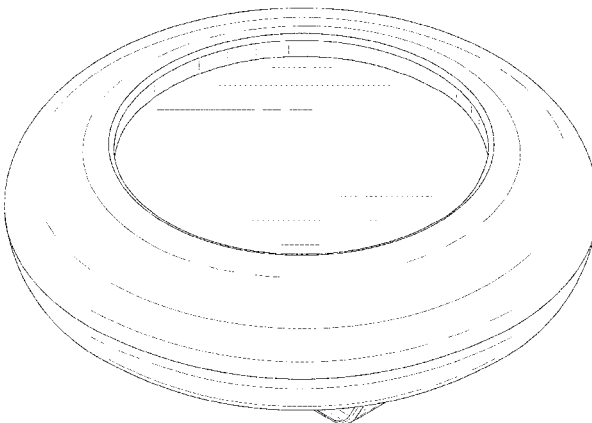
FIG. 5 is a left side view thereof;

FIG. 6 is a right side view thereof;

FIG. 7 is a top plan view thereof; and,

FIG. 8 is a bottom plan view thereof.

**1 Claim, 8 Drawing Sheets**



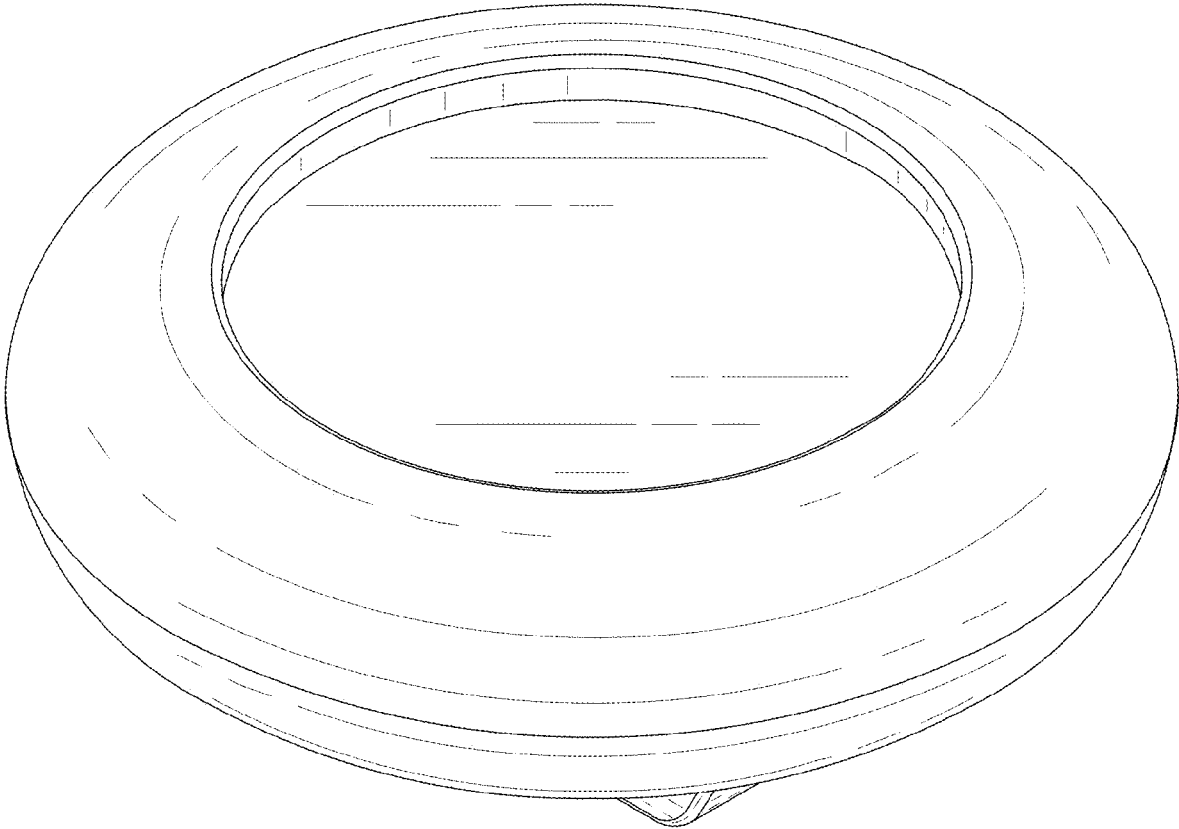


FIG. 1

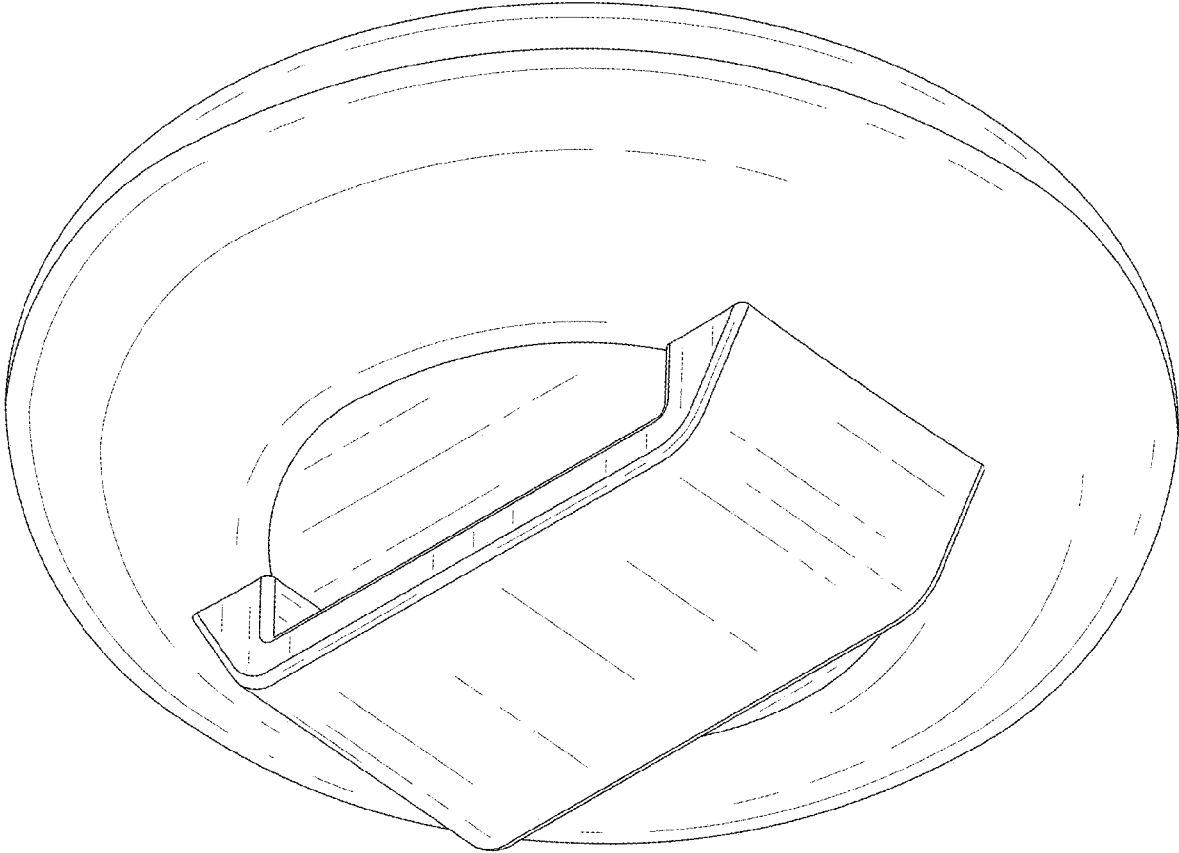


FIG. 2

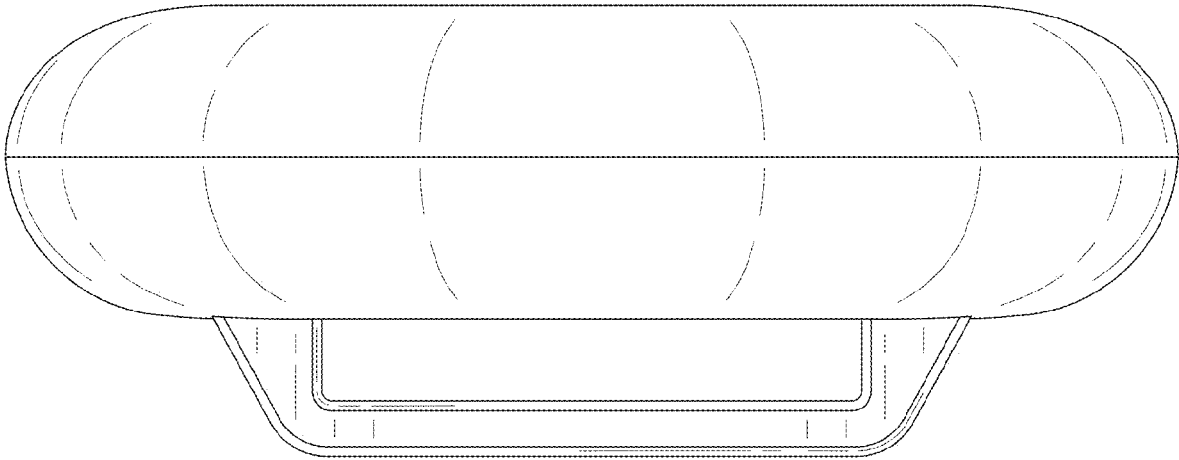


FIG. 3

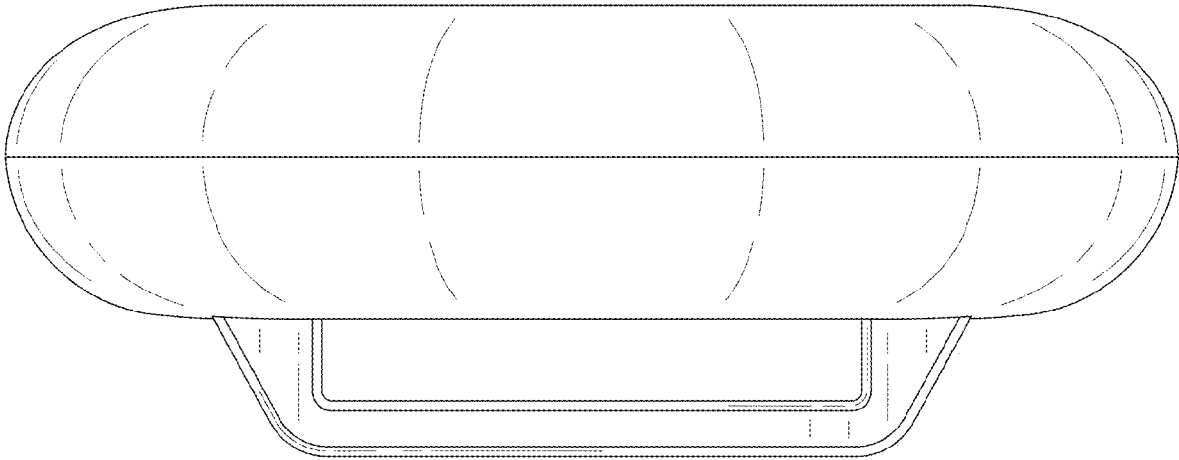


FIG. 4

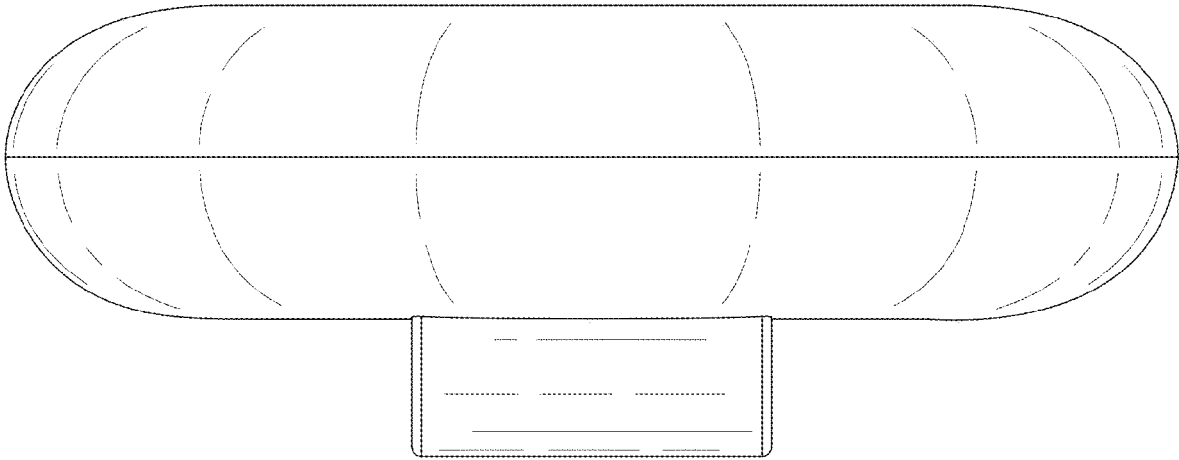


FIG. 5

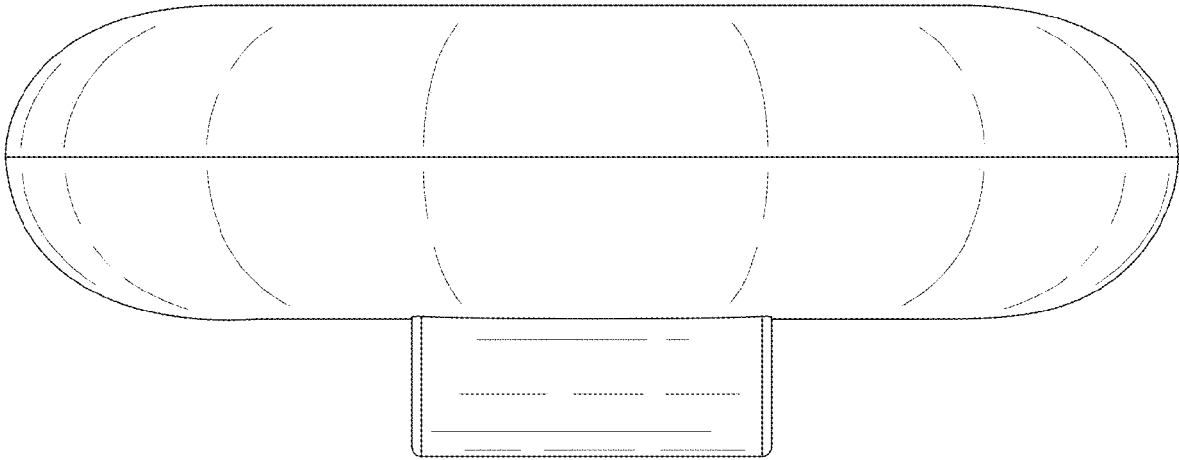


FIG. 6

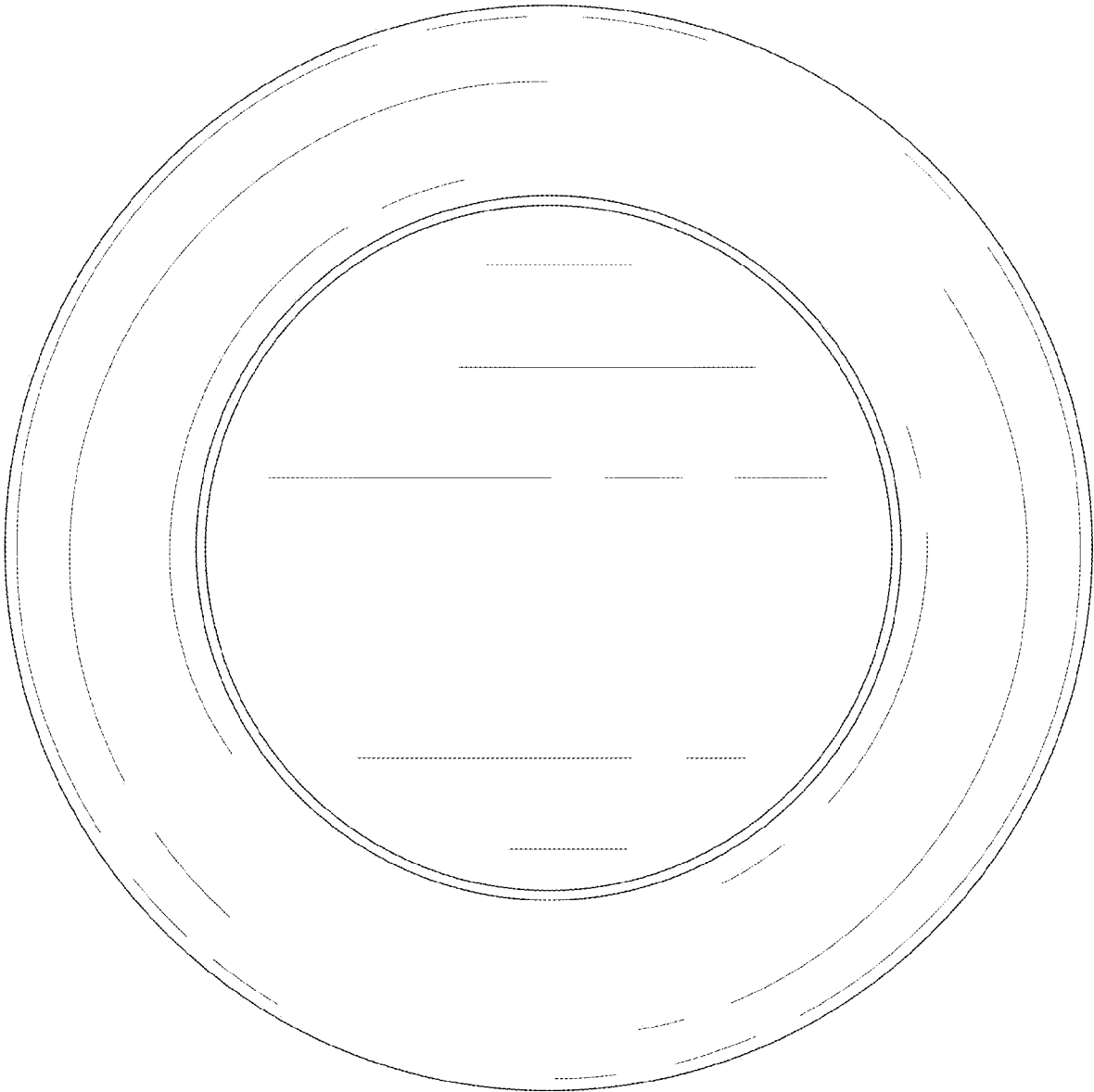


FIG. 7

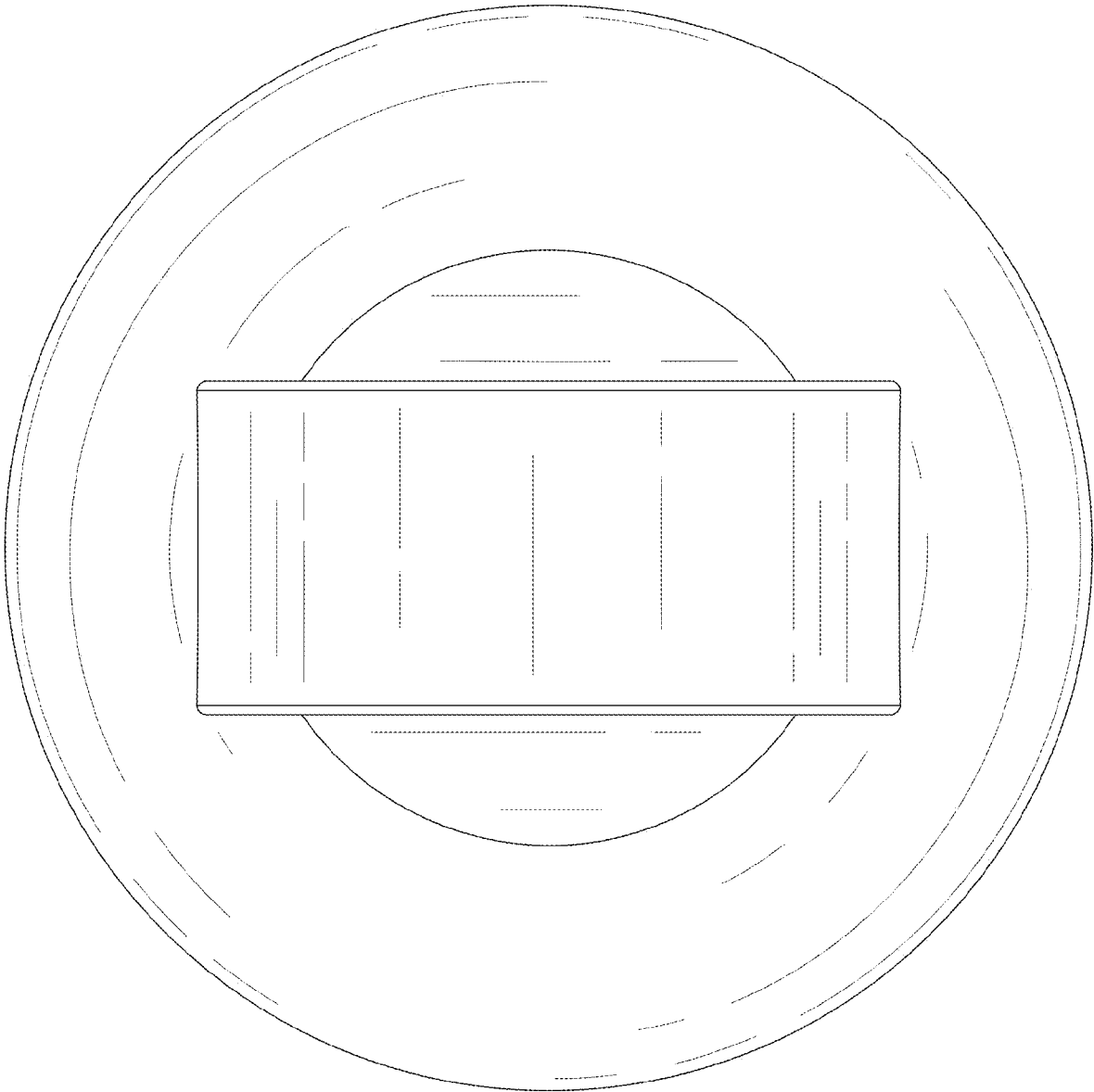


FIG. 8