



(51) International Patent Classification:

E21B 21/06 (2006.01) E21B 27/02 (2006.01)
E21B 21/01 (2006.01)

(21) International Application Number:

PCT/US2012/035487

(22) International Filing Date:

27 April 2012 (27.04.2012)

(25) Filing Language:

English

(26) Publication Language:

English

(30) Priority Data:

61/480,776 29 April 2011 (29.04.2011) US

(71) Applicant (for all designated States except US): **M-I L.L.C.** [US/US]; 5950 North Course Drive, Houston, TX 77072 (US).

(72) Inventors; and

(75) Inventors/Applicants (for US only): **ANDERSON, Trey** [US/US]; 5950 North Course Drive, Houston, TX 77072 (US). **FOOT, Gary, E.** [US/US]; 14222 Meadow Estates Lane, Cypress, TX 77429-4593 (US). **LOGAN, Gordon, Macmillan** [GB/GB]; 13 Devanha Gardens, Aberdeen, Scotland AB11 7UU (GB). **KOCH, John** [US/US]; 5950 North Course Drive, Houston, TX 77072 (US).

(74) Agents: **BERGMAN, Jeffrey S.** et al.; Osha . Liang LLP, 909 Fannin Street, Suite 3500, Houston, TX 77010 (US).

(81) Designated States (unless otherwise indicated, for every kind of national protection available): AE, AG, AL, AM, AO, AT, AU, AZ, BA, BB, BG, BH, BR, BW, BY, BZ,

CA, CH, CL, CN, CO, CR, CU, CZ, DE, DK, DM, DO, DZ, EC, EE, EG, ES, FI, GB, GD, GE, GH, GM, GT, HN, HR, HU, ID, IL, IN, IS, JP, KE, KG, KM, KN, KP, KR, KZ, LA, LC, LK, LR, LS, LT, LU, LY, MA, MD, ME, MG, MK, MN, MW, MX, MY, MZ, NA, NG, NI, NO, NZ, OM, PE, PG, PH, PL, PT, QA, RO, RS, RU, RW, SC, SD, SE, SG, SK, SL, SM, ST, SV, SY, TH, TJ, TM, TN, TR, TT, TZ, UA, UG, US, UZ, VC, VN, ZA, ZM, ZW.

(84) Designated States (unless otherwise indicated, for every kind of regional protection available): ARIPO (BW, GH, GM, KE, LR, LS, MW, MZ, NA, RW, SD, SL, SZ, TZ, UG, ZM, ZW), Eurasian (AM, AZ, BY, KG, KZ, RU, TJ, TM), European (AL, AT, BE, BG, CH, CY, CZ, DE, DK, EE, ES, FI, FR, GB, GR, HR, HU, IE, IS, IT, LT, LU, LV, MC, MK, MT, NL, NO, PL, PT, RO, RS, SE, SI, SK, SM, TR), OAPI (BF, BJ, CF, CG, CI, CM, GA, GN, GQ, GW, ML, MR, NE, SN, TD, TG).

Published:

- with international search report (Art. 21(3))
- before the expiration of the time limit for amending the claims and to be republished in the event of receipt of amendments (Rule 48.2(h))

(88) Date of publication of the international search report:

24 January 2013

(15) Information about Correction:

Previous Correction:

see Notice of 13 December 2012

(54) Title: DRILLING WASTE TREATMENT

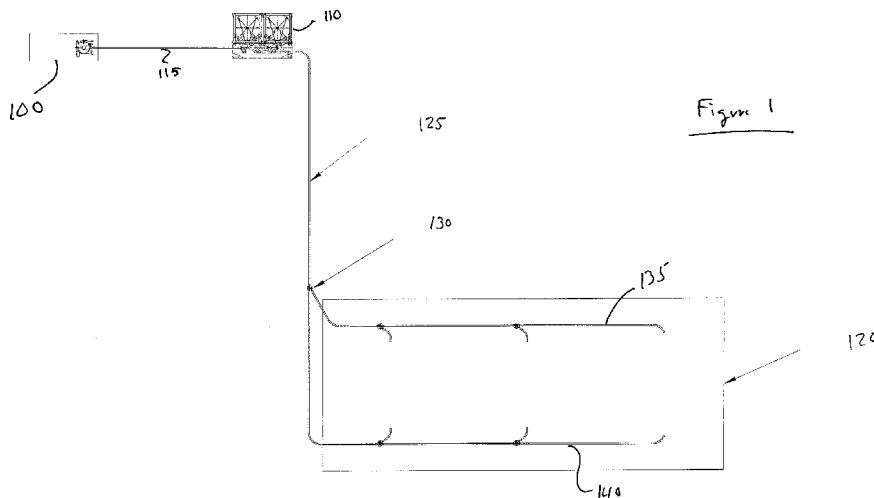


Figure 1

(57) Abstract: A method transferring drill cuttings, the method comprising transferring the drill cuttings from a pressurized transfer device to a pressurized container; transferring the drill cuttings from the pressurized container to a land-based pit discharging station; and discharging the drill cuttings into the land-based pit discharging station. Also, a system for transferring drill cuttings while drilling, the system comprising a pressurized transfer device; a pressurized container in fluid communication with the pressurized transfer device; a conduit disposed between the pressurized transfer device and the pressurized container; and a land-based pit discharging station in fluid communication with the pressurized container.



INTERNATIONAL SEARCH REPORT

International application No.
PCT/US2012/035487**A. CLASSIFICATION OF SUBJECT MATTER*****E21B 21/06(2006.01)i, E21B 21/01(2006.01)i, E21B 27/02(2006.01)i***

According to International Patent Classification (IPC) or to both national classification and IPC

B. FIELDS SEARCHED

Minimum documentation searched (classification system followed by classification symbols)

E21B 21/06; B07B 1/00; E21B 7/12; E21B 21/00; B02C 11/08

Documentation searched other than minimum documentation to the extent that such documents are included in the fields searched

Korean utility models and applications for utility models

Japanese utility models and applications for utility models

Electronic data base consulted during the international search (name of data base and, where practicable, search terms used)

eKOMPASS(KIPO internal) & Keywords:pressurized transference device, pressurized container, land-based pit discharging station

C. DOCUMENTS CONSIDERED TO BE RELEVANT

Category*	Citation of document, with indication, where appropriate, of the relevant passages	Relevant to claim No.
X Y	US 6715610 B2 (WAIT, SIMON TIMOTHY et al.) 06 April 2004 See abstract, column 1 lines 9-19, column 3 lines 34-59, and figure 1.	1,2,11-16,18-20 3-10,17,21-23
Y A	US 2010-0133368 A1 (CHRISTENSEN, MATHEUS) 03 June 2010 See abstract, paragraphs [0031],[0032],[0040], and figure 2.	3-8,17,21-23 1,2,9-16,18-20
Y A	US 2008-0210466 A1 (MCDONALD, NICK et al.) 04 September 2008 See abstract, paragraphs [0042]-[0045], and figure 5.	9,10,17 1-8,11-16,18-23
A	WO 93-13291 A1 (ANDREASSEN, J, N.) 08 July 1993 See abstract, page 6 lines 30-34, and figure 8.	1-23

 Further documents are listed in the continuation of Box C. See patent family annex.

* Special categories of cited documents:

"A" document defining the general state of the art which is not considered to be of particular relevance

"E" earlier application or patent but published on or after the international filing date

"L" document which may throw doubts on priority claim(s) or which is cited to establish the publication date of citation or other special reason (as specified)

"O" document referring to an oral disclosure, use, exhibition or other means

"P" document published prior to the international filing date but later than the priority date claimed

"T" later document published after the international filing date or priority date and not in conflict with the application but cited to understand the principle or theory underlying the invention

"X" document of particular relevance; the claimed invention cannot be considered novel or cannot be considered to involve an inventive step when the document is taken alone

"Y" document of particular relevance; the claimed invention cannot be considered to involve an inventive step when the document is combined with one or more other such documents, such combination being obvious to a person skilled in the art

"&" document member of the same patent family

Date of the actual completion of the international search

16 NOVEMBER 2012 (16.11.2012)

Date of mailing of the international search report

20 NOVEMBER 2012 (20.11.2012)

Name and mailing address of the ISA/KR

Korean Intellectual Property Office
189 Cheongsa-ro, Seo-gu, Daejeon Metropolitan
City, 302-701, Republic of Korea

Facsimile No. 82-42-472-7140

Authorized officer

Park Sang Hyun

Telephone No. 82-42-481-5434



INTERNATIONAL SEARCH REPORT

Information on patent family members

International application No.

PCT/US2012/035487

Patent document cited in search report	Publication date	Patent family member(s)	Publication date		
US 6715610 B2	06.04.2004	CA 2361042 A1	03.08.2000		
		CA 2361042 C	09.10.2007		
		DE 60026821 D1	11.05.2006		
		EP 1147286 A1	24.10.2001		
		EP 1147286 B1	22.03.2006		
		GB 9901838 D0	17.03.1999		
		NO 20013596 A	20.08.2001		
		NO 20013596 D0	20.07.2001		
		NO 318209 B1	14.02.2005		
		US 2002-0066695 A1	06.06.2002		
		WO 00-45028 A1	03.08.2000		
		US 2010-0133368 A1	03.06.2010	CA 2684399 A1	23.10.2008
				CA 2684399 C	12.04.2011
EP 2137374 A1	30.12.2009				
NO 20071910 A	17.10.2008				
RU 2416472 C1	20.04.2011				
US 8109456 B2	07.02.2012				
WO 2008-127123 A1	23.10.2008				
US 2008-0210466 A1	04.09.2008			EA 015295B1	30.06.2011
		EA 200970558A1	30.12.2009		
		GB 0909576 D0	15.07.2009		
		GB 2456730 A	29.07.2009		
		GB 2456730 B	10.08.2011		
		MX 2009005928 A	17.06.2009		
		NO 20092384 A	07.09.2009		
		US 2011-0005832 A1	13.01.2011		
		US 8074738 B2	13.12.2011		
		WO 2008-073857 A1	19.06.2008		
		WO 2012-033872 A2	15.03.2012		
WO 93-13291 A1	08.07.1993	AU 1271292 A	28.07.1993		
		NO 915130 A	01.07.1993		
		NO 915130 D0	30.12.1991		
		WO 93-13291A1	08.07.1993		