



US00D325538S

# United States Patent [19]

[11] Patent Number: **Des. 325,538**

**Araujo, Jr.**

[45] Date of Patent: **\*\* Apr. 21, 1992**

## [54] ANTHROPOMETRIC CALIPER

[75] Inventor: **Antonino Araujo, Jr., Bradenton, Fla.**

[73] Assignee: **Abbott Laboratories, Abbott Park, Ill.**

[\*\*] Term: **14 Years**

[21] Appl. No.: **432,691**

[22] Filed: **Nov. 6, 1989**

[52] U.S. Cl. .... **D10/73**

[58] Field of Search ..... **D10/73, 71; D24/133, D24/140; 33/810, 811, 812, 813-832, 511, 512; 128/774, 782; 606/102**

## [56] References Cited

### U.S. PATENT DOCUMENTS

D. 314,158	1/1991	Knebelman	.....	D10/73
1,238,045	8/1917	Nelson	.....	33/812
2,305,376	12/1942	Blum	.....	33/810
2,724,186	11/1955	Lenart	.....	33/823
2,850,943	9/1958	Grineff	.....	D10/73
3,213,541	10/1965	Raffman	.....	33/810
3,520,293	7/1970	Atherhott	.....	128/774
4,220,163	9/1980	Afzali	.....	128/774 X
4,607,436	8/1986	Clay	.....	D10/73 X

## OTHER PUBLICATIONS

"Nutritional Assessment of the Elderly Through Anthropometry", ©1987, Ross Laboratories. Sales literature for "Anthropometric Caliper", Medical Express, 5150 S.W. Griffith Drive, Beaverton, Or. 97005.

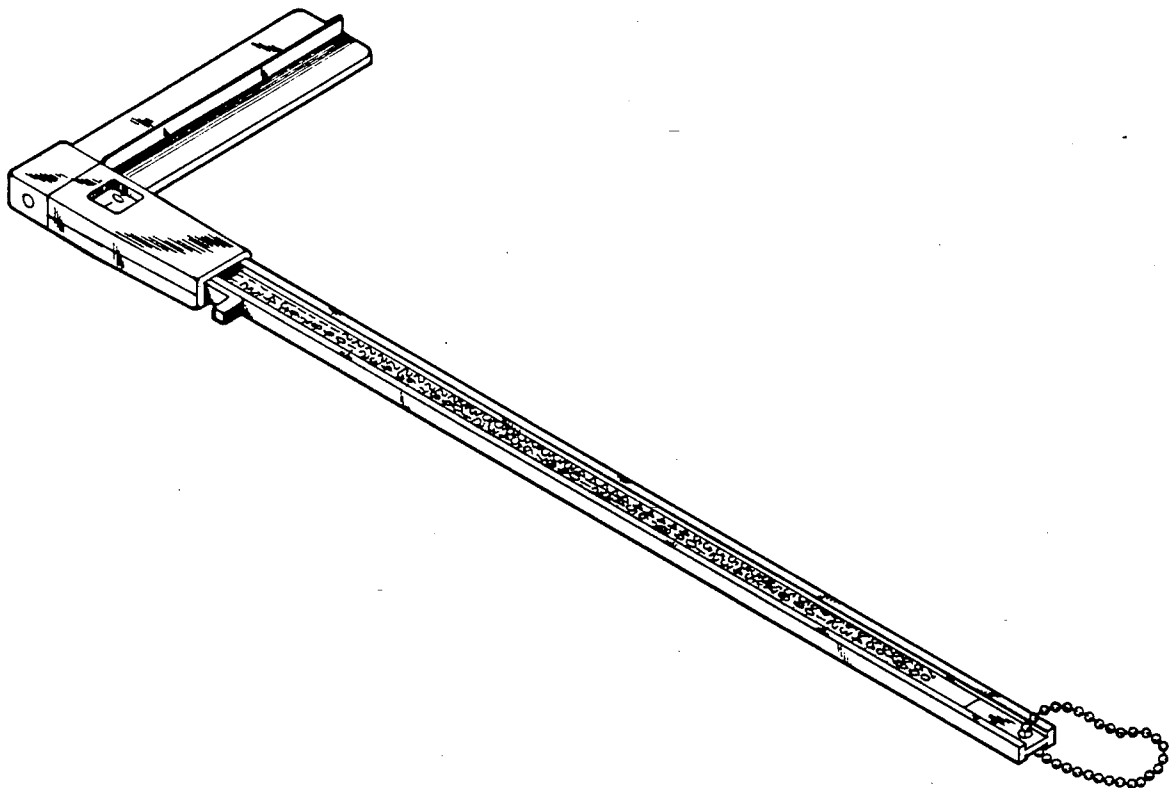
*Primary Examiner*—Bruce W. Dunkins  
*Assistant Examiner*—Antoine D. Davis  
*Attorney, Agent, or Firm*—Lonnie R. Drayer; Donald O. Nickey

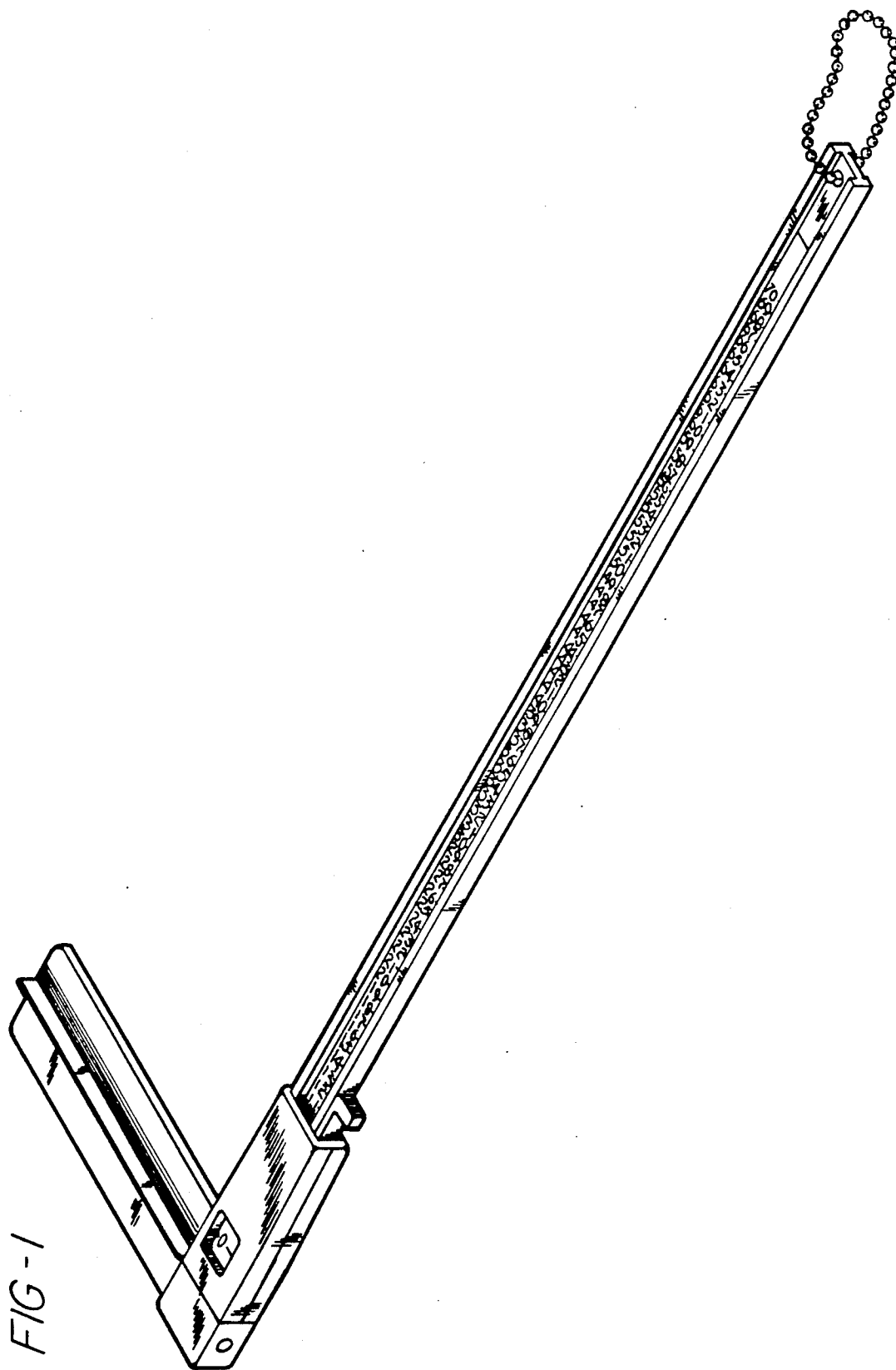
## [57] CLAIM

The ornamental design for an anthropometric caliper, as shown and described.

## DESCRIPTION

FIG. 1 is a perspective view of a anthropometric caliper showing my new design;  
FIG. 2 is an enlarged fragmentary view thereof, shown with the caliper arm in an alternate position;  
FIG. 3 is a rear elevational view;  
FIG. 4 is a top plan view;  
FIG. 5 is a bottom plan view;  
FIG. 6 is a left side elevational view; and,  
FIG. 7 is a right side elevational view thereof.





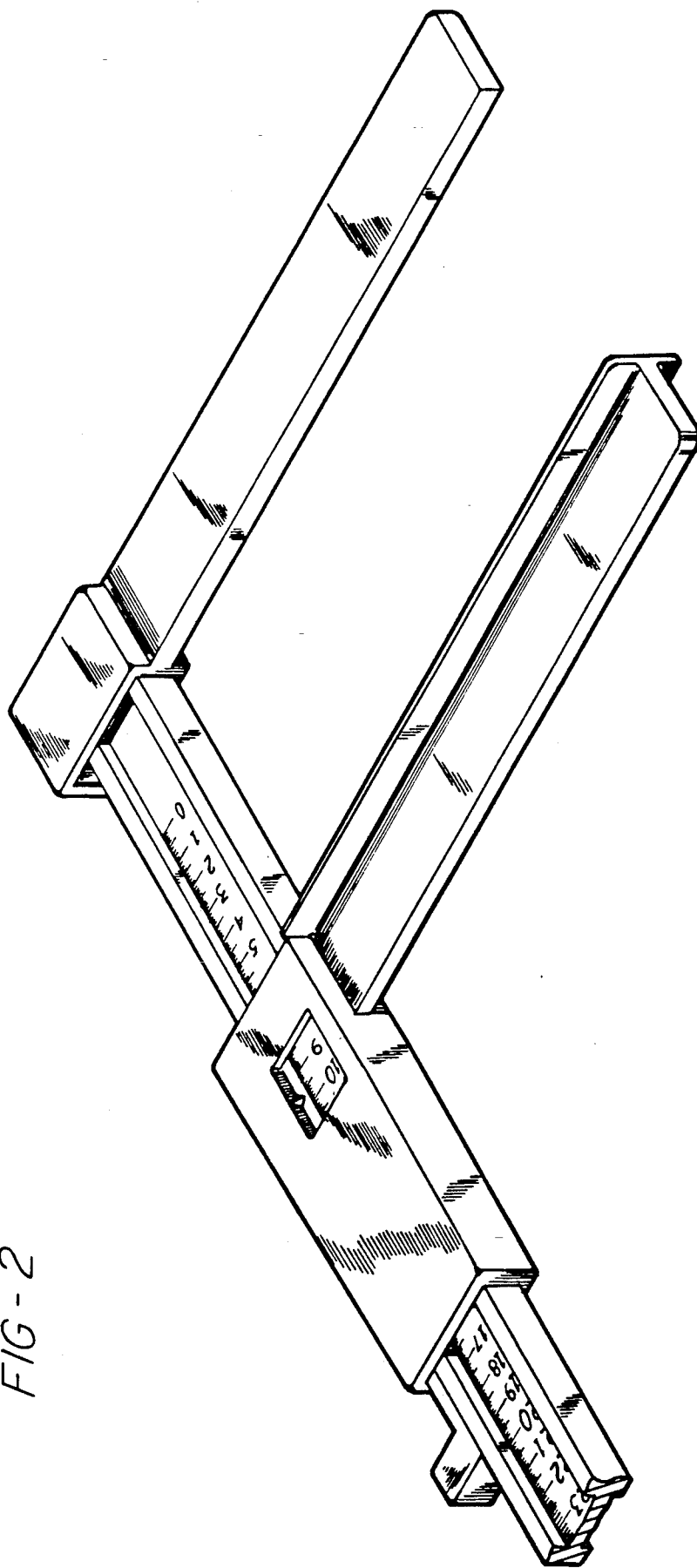


FIG - 2

FIG-3

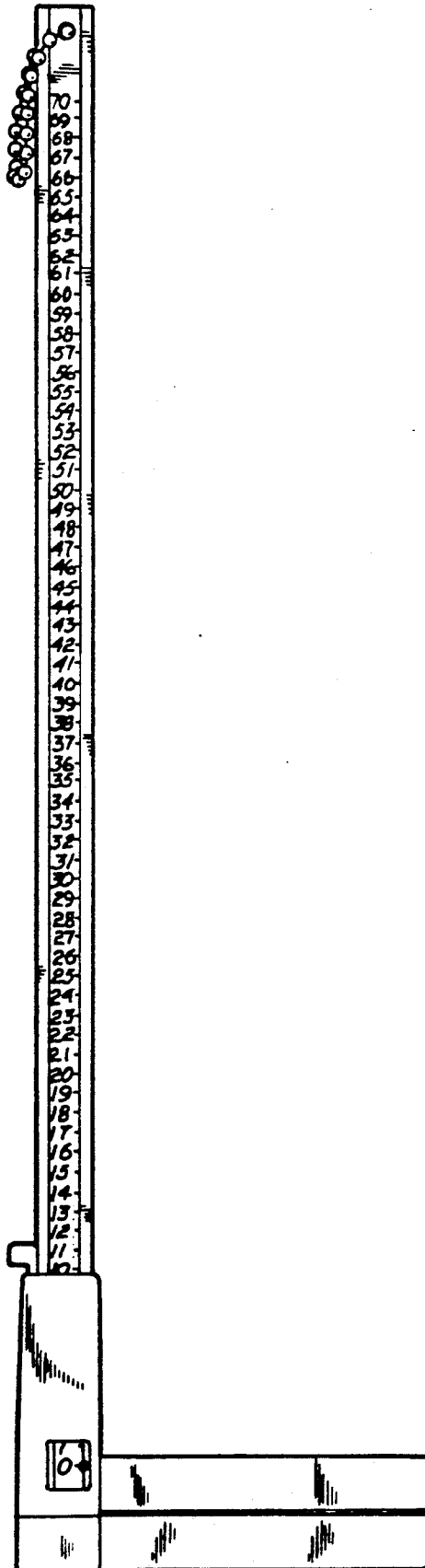




FIG - 4



FIG - 5



FIG - 6



FIG - 7