

(12) **UK Patent Application** (19) **GB** (11) **2 423 026** (13) **A**

(43) Date of Printing by UK Office **16.08.2006**

(21) Application No: **0605417.5**
(22) Date of Filing: **20.08.2004**
(30) Priority Data:
(31) **60496695** (32) **21.08.2003** (33) **US**
(31) **60508235** (32) **03.10.2003**
(31) **60547576** (32) **26.02.2004**

(86) International Application Data:
PCT/US2004/027115 En 20.08.2004

(87) International Publication Data:
WO2005/020868 En 10.03.2005

(71) Applicant(s):
Azalea Way Consumer Products LLC
(Incorporated in USA - New Jersey)
58 Riverview Terrace, HILLSBOROUGH,
New Jersey 08844,
United States of America

(continued on next page)

(51) INT CL:
A61H 23/02 (2006.01)

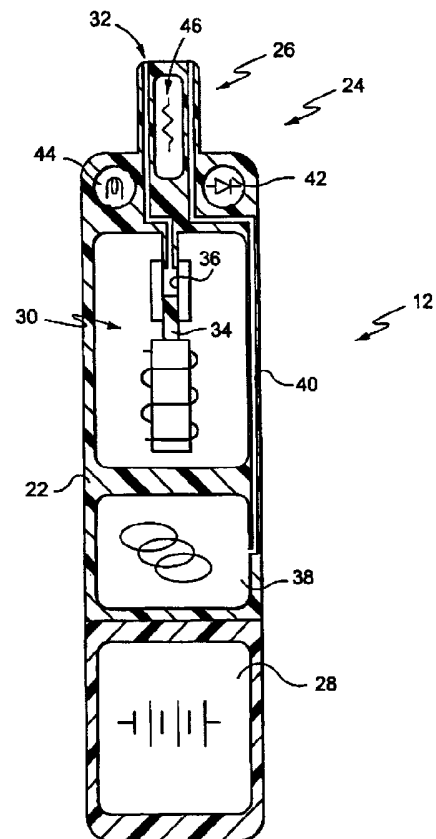
(52) UK CL (Edition X):
A5R REHT REQ

(56) Documents Cited by ISA:
US 5690608 A **US 5551949 A**
US 4427001 A **US 2985166 A**
US 20030008588 A1

(58) Field of Search by ISA:
Other: **U.S. : 601/2, 15, 17, 18, 46, 50, 55, 64, 67, 69, 70, 72, 80**

(54) Abstract Title: **Skin Cleansing And Moisturizing Device**

(57) A skin cleansing and moisturizing device (10) including a hand-held control wand (12) that is detachably secured to a pad (16), one side of which is adapted to cleans the user's skin. A mechanical vibratory assembly (30) is provided within the housing (22) and imparts a vibratory motion to the pad (16). Additionally, a heat source is provided for heating the user's skin. The vibratory assembly (30) may also apply suction to the skin through the pad (16).



GB 2423026 A continuation

(72) Inventor(s):
William Stuart Trimmer
Robert Steven Sears

(74) Agent and/or Address for Service:
Barker Brettell
10-12 Priests Bridge, LONDON, SW15 5JE,
United Kingdom