



(51) International Patent Classification:

E21B 43/26 (2006.01) E21B 17/02 (2006.01)
E21B 43/112 (2006.01)

(21) International Application Number:

PCT/US2012/025246

(22) International Filing Date:

15 February 2012 (15.02.2012)

(25) Filing Language:

English

(26) Publication Language:

English

(30) Priority Data:

13/047,396 14 March 2011 (14.03.2011) US

(71) Applicant (for all designated States except US): **BAKER HUGHES INCORPORATED** [US/US]; P.O. Box 4740, Houston, Texas 77210-4740 (US).

(72) Inventor; and

(75) Inventor/Applicant (for US only): **XU, Richard YingQing** [US/US]; 11711 Rivergrove Ct., Tomball, Texas 77377 (US).

(81) Designated States (unless otherwise indicated, for every kind of national protection available): AE, AG, AL, AM, AO, AT, AU, AZ, BA, BB, BG, BH, BR, BW, BY, BZ, CA, CH, CL, CN, CO, CR, CU, CZ, DE, DK, DM, DO,

DZ, EC, EE, EG, ES, FI, GB, GD, GE, GH, GM, GT, HN, HR, HU, ID, IL, IN, IS, JP, KE, KG, KM, KN, KP, KR, KZ, LA, LC, LK, LR, LS, LT, LU, LY, MA, MD, ME, MG, MK, MN, MW, MX, MY, MZ, NA, NG, NI, NO, NZ, OM, PE, PG, PH, PL, PT, QA, RO, RS, RU, RW, SC, SD, SE, SG, SK, SL, SM, ST, SV, SY, TH, TJ, TM, TN, TR, TT, TZ, UA, UG, US, UZ, VC, VN, ZA, ZM, ZW.

(84) Designated States (unless otherwise indicated, for every kind of regional protection available): ARIPO (BW, GH, GM, KE, LR, LS, MW, MZ, NA, RW, SD, SL, SZ, TZ, UG, ZM, ZW), Eurasian (AM, AZ, BY, KG, KZ, MD, RU, TJ, TM), European (AL, AT, BE, BG, CH, CY, CZ, DE, DK, EE, ES, FI, FR, GB, GR, HR, HU, IE, IS, IT, LT, LU, LV, MC, MK, MT, NL, NO, PL, PT, RO, RS, SE, SI, SK, SM, TR), OAPI (BF, BJ, CF, CG, CI, CM, GA, GN, GQ, GW, ML, MR, NE, SN, TD, TG).

Declarations under Rule 4.17:

- as to applicant's entitlement to apply for and be granted a patent (Rule 4.17(ii))
- as to the applicant's entitlement to claim the priority of the earlier application (Rule 4.17(iii))

Published:

- with international search report (Art. 21(3))

[Continued on next page]

(54) Title: SYSTEM AND METHOD FOR FRACTURING A FORMATION AND A METHOD OF INCREASING DEPTH OF FRACTURING A FORMATION

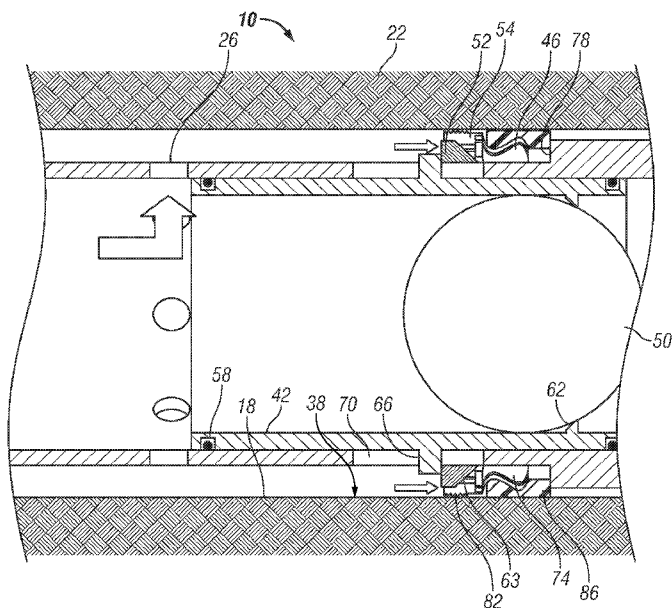


FIG. 4

(57) Abstract: A system for fracturing a formation includes a tubular positionable within a formation borehole having at least one port therethrough configured to provide fluidic communication from inside the tubular to the formation borehole. The system also includes a seal sealably attachable to both the tubular and walls of the formation borehole, a seat in operable communication with the tubular and a member in operable communication with the seat such that movement of the seat relative to the tubular causes the member to engage the walls and provide stress thereto.

WO 2012/125249 A3



— *before the expiration of the time limit for amending the claims and to be republished in the event of receipt of amendments (Rule 48.2(h))*

(88) Date of publication of the international search report:
15 November 2012

INTERNATIONAL SEARCH REPORT

International application No.
PCT/US2012/025246**A. CLASSIFICATION OF SUBJECT MATTER***E21B 43/26(2006.01)i, E21B 43/112(2006.01)i, E21B 17/02(2006.01)i*

According to International Patent Classification (IPC) or to both national classification and IPC

B. FIELDS SEARCHED

Minimum documentation searched (classification system followed by classification symbols)

E21B 43/26; E21B 33/10; E21B 33/12; E21B 33/13; E21B 43/10; E21B 43/08

Documentation searched other than minimum documentation to the extent that such documents are included in the fields searched

Korean utility models and applications for utility models

Japanese utility models and applications for utility models

Electronic data base consulted during the international search (name of data base and, where practicable, search terms used)

eKOMPASS(KIPO internal) & Keywords: fracturing, seat, cone

C. DOCUMENTS CONSIDERED TO BE RELEVANT

Category*	Citation of document, with indication, where appropriate, of the relevant passages	Relevant to claim No.
X	US 05425424A A (REINHARDT; PAUL A. et al.) 20 June 1995 See abstract, column 4 and figure 3	23,24
A	See claims 1-11	1-22
A	US 2009-0056934 A1 (XU YANG) 05 March 2009 See abstract, paragraphs 23,29 and figure 2	1-24
A	US 2007-0102165 A1 (SLUP GABRIEL A. et al.) 10 May 2007 See abstract, paragraph 41 and figure 1	1-24
A	US 2010-0175895 A1 (METCALFE PAUL DAVID) 15 July 2010 See abstract, paragraph 103, claim 28 and figure 4A,4B	1-24

 Further documents are listed in the continuation of Box C. See patent family annex.

* Special categories of cited documents:

"A" document defining the general state of the art which is not considered to be of particular relevance

"E" earlier application or patent but published on or after the international filing date

"L" document which may throw doubts on priority claim(s) or which is cited to establish the publication date of citation or other special reason (as specified)

"O" document referring to an oral disclosure, use, exhibition or other means

"P" document published prior to the international filing date but later than the priority date claimed

"T" later document published after the international filing date or priority date and not in conflict with the application but cited to understand the principle or theory underlying the invention

"X" document of particular relevance; the claimed invention cannot be considered novel or cannot be considered to involve an inventive step when the document is taken alone

"Y" document of particular relevance; the claimed invention cannot be considered to involve an inventive step when the document is combined with one or more other such documents, such combination being obvious to a person skilled in the art

"&" document member of the same patent family

Date of the actual completion of the international search

31 AUGUST 2012 (31.08.2012)

Date of mailing of the international search report

07 SEPTEMBER 2012 (07.09.2012)

Name and mailing address of the ISA/KR

Korean Intellectual Property Office
189 Cheongsa-ro, Seo-gu, Daejeon Metropolitan
City, 302-701, Republic of Korea

Facsimile No. 82-42-472-7140

Authorized officer

LEE, Won Jae

Telephone No. 82-42-481-5512



INTERNATIONAL SEARCH REPORT

Information on patent family members

International application No.

PCT/US2012/025246

Patent document cited in search report	Publication date	Patent family member(s)	Publication date
US 05425424A A	20.06.1995	GB 2286846 A US 05425424A A	30.08.1995 20.06.1995
US 2009-0056934 A1	05.03.2009	AU 2008-293713 A1 AU 2008-293713 A1 GB 201002659 D0 GB 2464432 A N020100332A RU 2010111360 A US 7703510 B2 WO 2009-029437 A1	05.03.2009 05.03.2009 07.04.2010 21.04.2010 26.03.2010 10.10.2011 27.04.2010 05.03.2009
US 2007-0102165 A1	10.05.2007	CA 2628164 A1 CA 2628164 C EP 1963618 A1 US 7475736 B2 WO 2007-058864 A1	24.05.2007 22.02.2011 03.09.2008 13.01.2009 24.05.2007
US 2010-0175895 A1	15.07.2010	EP 2176513 A2 EP 2176514 A2 EP 2287442 A2 EP 2287442 A3 EP 2287443 A2 EP 2287443 A3 EP 2292892 A2 EP 2292892 A3 EP 2292893 A2 EP 2292893 A3 GB 0712345 D0 US 2010-0186969 A1 WO 2009-001069 A2 WO 2009-001069 A3 WO 2009-001069 A3 WO 2009-001073 A2 WO 2009-001073 A3 WO 2009-001073 A3	21.04.2010 21.04.2010 23.02.2011 18.05.2011 23.02.2011 18.05.2011 09.03.2011 18.05.2011 09.03.2011 18.05.2011 01.08.2007 29.07.2010 31.12.2008 12.03.2009 31.12.2008 31.12.2008 31.12.2008 16.04.2009