



(12) **United States Design Patent**  
**Devarona et al.**

(10) **Patent No.:** **US D999,988 S**  
(45) **Date of Patent:** **\*\* Sep. 26, 2023**

- (54) **RAZOR COMPONENT**
- (71) Applicant: **The Gillette Company LLC**, Boston, MA (US)
- (72) Inventors: **Natalie Anne Devarona**, Boston, MA (US); **Matthew Michael Long**, Methuen, MA (US); **Jahdiel Fyfield**, Roslindale, MA (US)
- (73) Assignee: **The Gillette Company LLC**, Boston, MA (US)

5,865,189 A	2/1999	Andrews
D407,531 S	3/1999	Lee
D417,146 S	11/1999	St. Pierre et al.
6,185,823 B1	2/2001	Brown et al.
6,185,827 B1	2/2001	Polites
D440,012 S	4/2001	Lee
D443,111 S	5/2001	Nakasuka
D449,710 S	10/2001	Wonderley
D612,992 S	3/2010	Sennett et al.
D624,242 S	9/2010	Bridges et al.
D651,344 S	12/2011	Cataudella et al.
D720,628 S	1/2015	Erdmann

(Continued)

(\*\*) Term: **15 Years**

(21) Appl. No.: **29/762,410**

(22) Filed: **Dec. 16, 2020**

**Related U.S. Application Data**

- (62) Division of application No. 29/676,120, filed on Jan. 8, 2019, now Pat. No. Des. 908,958.
- (51) **LOC (14) Cl.** ..... **28-03**
- (52) **U.S. Cl.**  
USPC ..... **D28/47**
- (58) **Field of Classification Search**  
USPC ..... D28/47; D3/205  
CPC .. B26B 21/4025; B26B 21/40; B26B 21/4018  
See application file for complete search history.

(56) **References Cited**

**U.S. PATENT DOCUMENTS**

D162,283 S	3/1951	Bowen et al.
3,388,468 A	6/1968	Hamill
3,408,737 A	11/1968	Steere et al.
3,530,574 A	9/1970	Patterson
D274,010 S	5/1984	Iten
4,601,392 A	7/1986	Althaus
4,777,722 A	10/1988	Trotta
4,996,772 A	3/1991	Iten
D403,954 S	1/1999	Okada et al.

**OTHER PUBLICATIONS**

All Office Actions, U.S. Appl. No. 29/676,120.

*Primary Examiner* — Jennifer Rivard  
(74) *Attorney, Agent, or Firm* — Kevin C. Johnson;  
Joanne N. Pappas

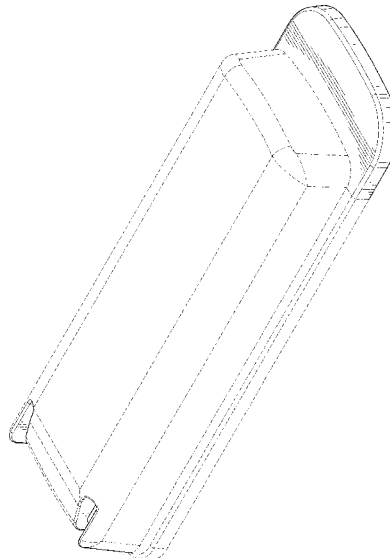
(57) **CLAIM**

The ornamental design for a razor component, as shown and described.

**DESCRIPTION**

FIG. 1 is a front perspective view of a design of a razor component of the present invention; FIG. 2 is a front view thereof; FIG. 3 is a back view thereof; FIG. 4 is a right side view thereof; FIG. 5 is a left side view thereof; FIG. 6 is a top view thereof; FIG. 7 is a bottom view thereof; and, FIG. 8 is a rear perspective view thereof. The evenly spaced broken lines illustrate portions of the razor component and form no part of the claimed design. The dash-dot-dash broken lines illustrate the bounds of the claim and form no part of the claimed design.

**1 Claim, 6 Drawing Sheets**



(56)

**References Cited**

U.S. PATENT DOCUMENTS

10,188,189	B1	1/2019	McNally et al.	
D872,363	S	1/2020	Devarona et al.	
D874,062	S	1/2020	McGarry et al.	
D908,958	S	1/2021	Devarona et al.	
D908,959	S *	1/2021	Ramm .....	D3/205
D908,960	S *	1/2021	Ramm .....	D3/205
D915,672	S *	4/2021	Atlason .....	D3/205
D935,095	S *	11/2021	Langberg .....	D28/47
D943,208	S *	2/2022	Zucker .....	D3/205
D954,350	S *	6/2022	Zucker .....	D3/205
2004/0040960	A1	3/2004	Glendhill	
2011/0203124	A1	8/2011	Bridges et al.	
2017/0035177	A1	2/2017	Cataudella et al.	
2022/0016794	A1 *	1/2022	Jang .....	B26B 21/4018

\* cited by examiner

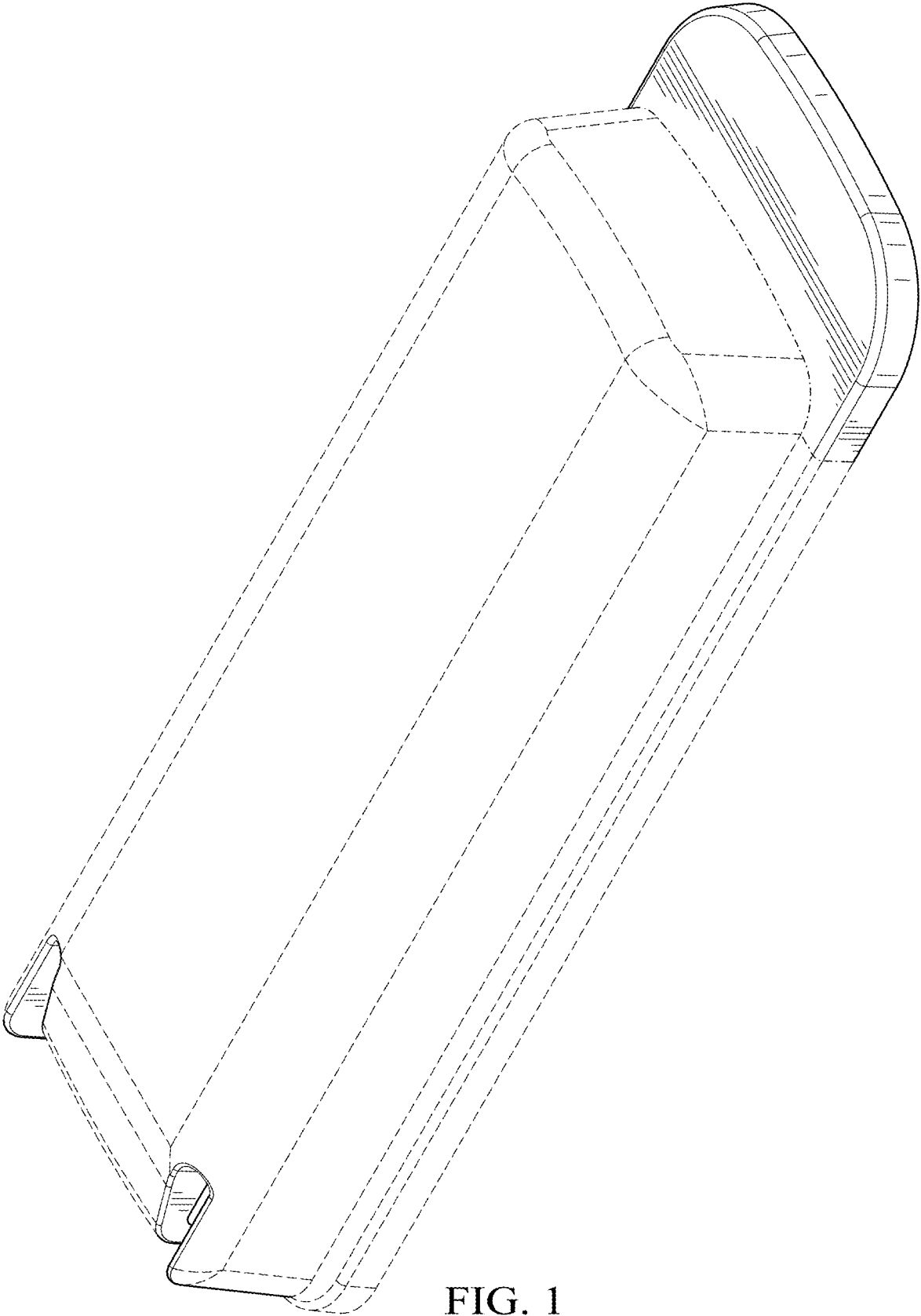


FIG. 1

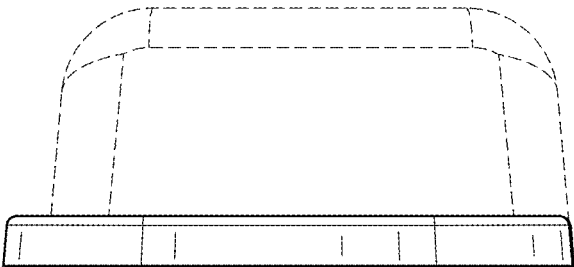


FIG. 2

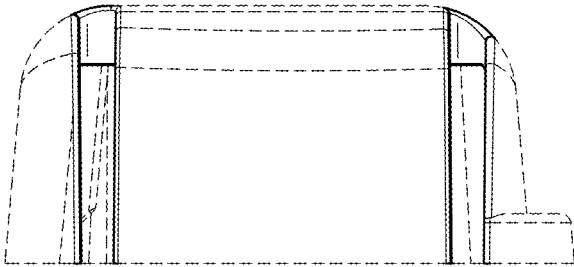


FIG. 3

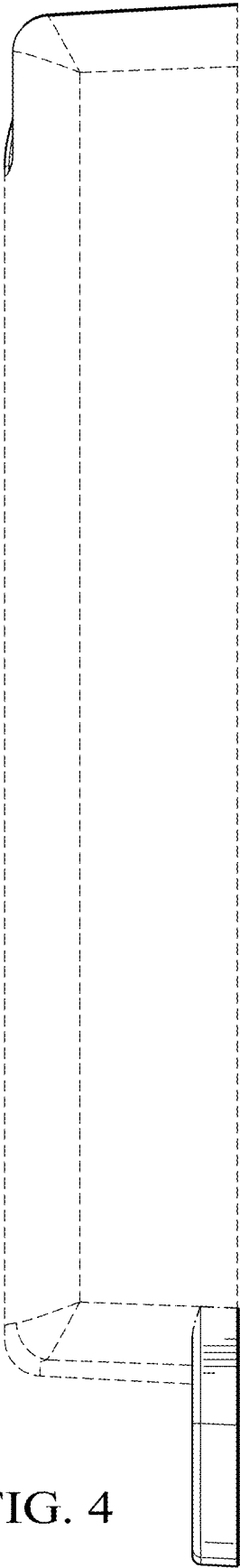


FIG. 4

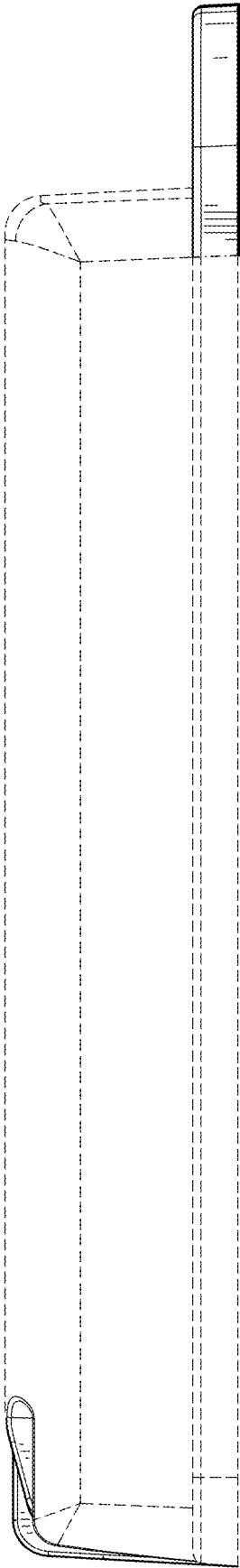


FIG. 5

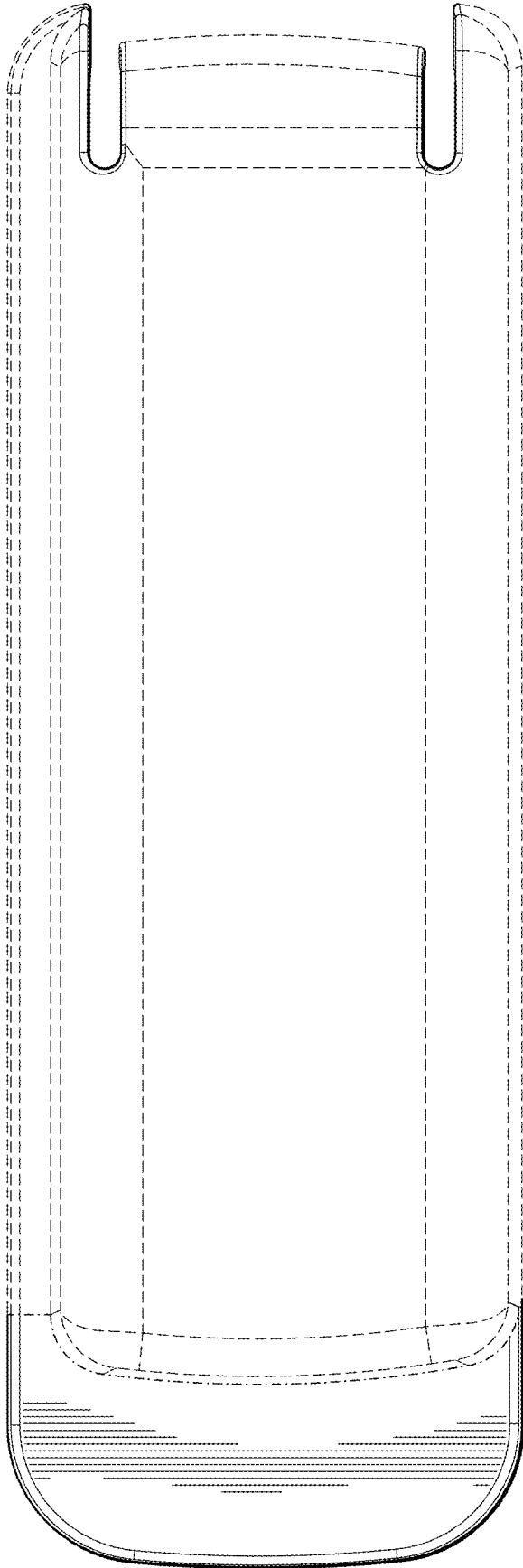


FIG. 6

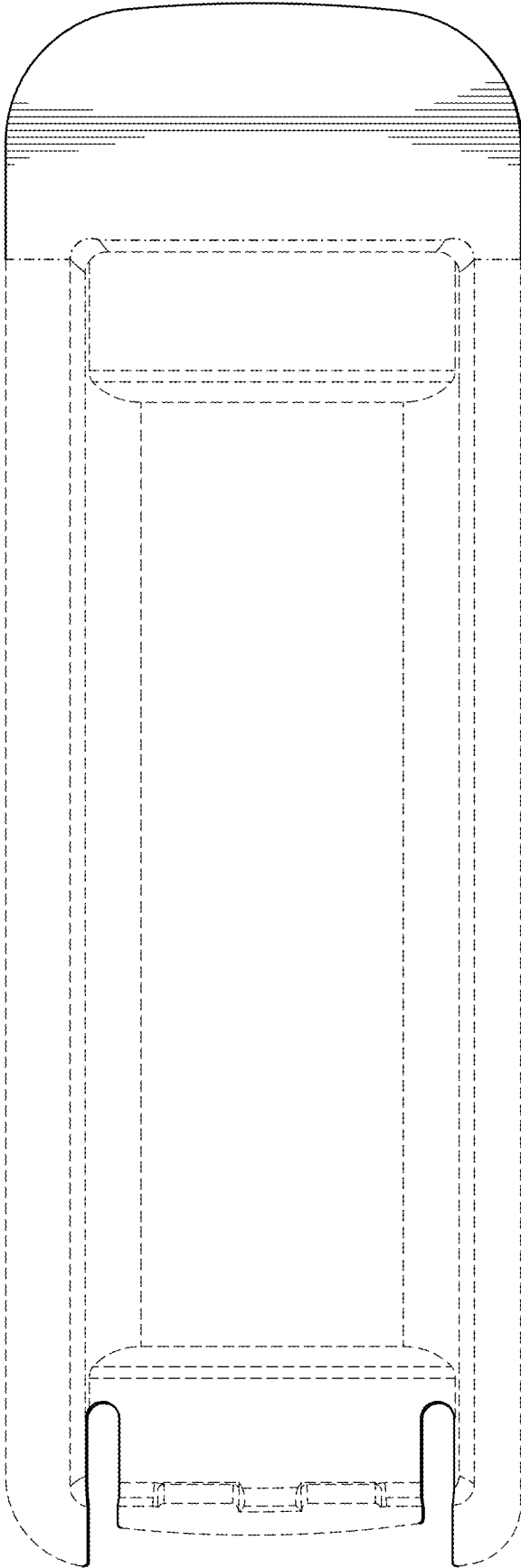


FIG. 7

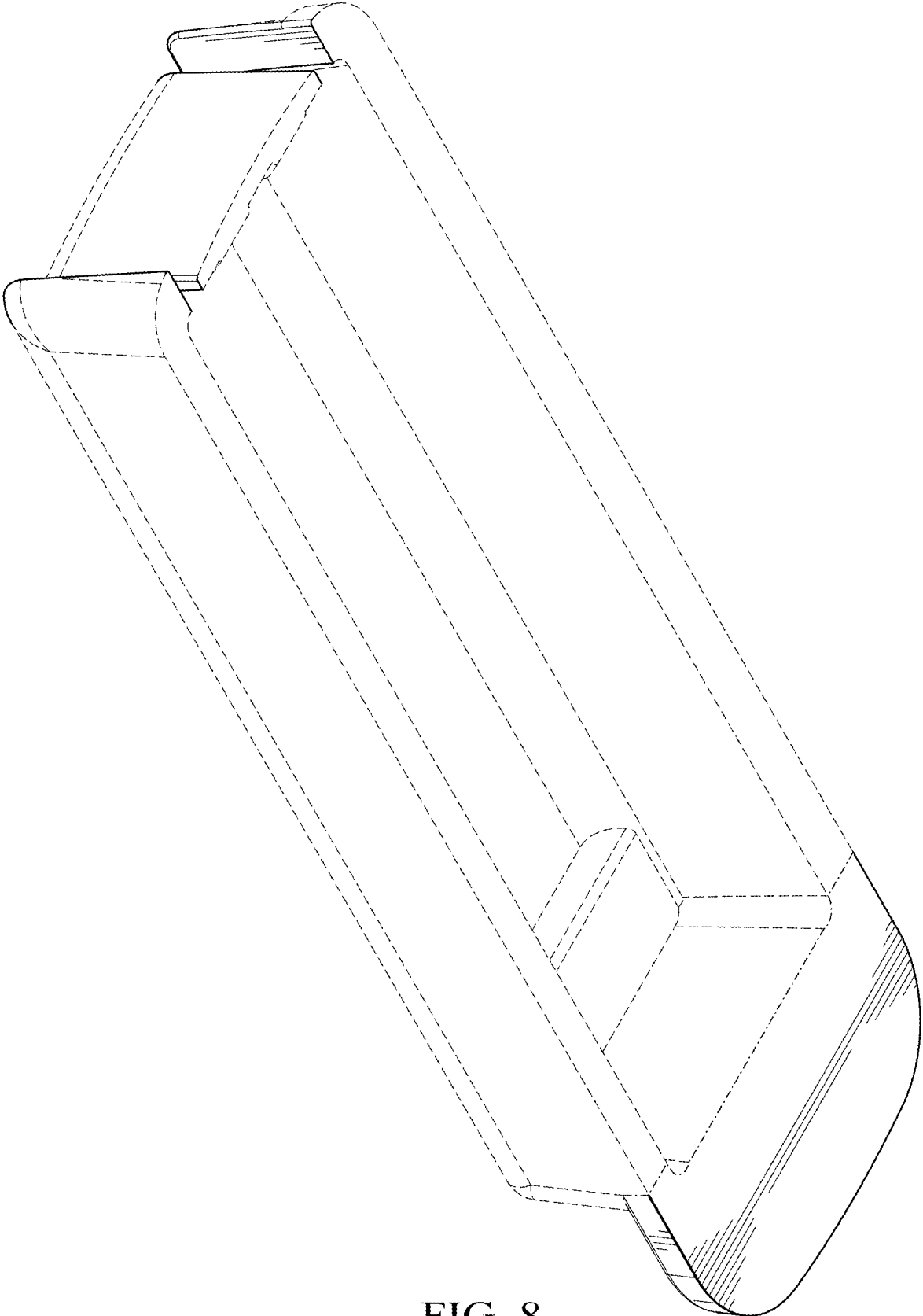


FIG. 8