



US00D701812S

(12) **United States Design Patent**  
**Hale, Jr.**

(10) **Patent No.:** **US D701,812 S**  
(45) **Date of Patent:** **\*\* Apr. 1, 2014**

(54) **SPOKE SEGMENT OF A VEHICLE WHEEL**

(71) Applicant: **Mobile Hi-Tech Wheels**, Rancho Dominguez, CA (US)

(72) Inventor: **Arthur D. Hale, Jr.**, Long Beach, CA (US)

(73) Assignee: **Mobile Hi-Tech Wheels**, Rancho Dominguez, CA (US)

(\*\*) Term: **14 Years**

(21) Appl. No.: **29/470,388**

(22) Filed: **Oct. 21, 2013**

(51) **LOC (10) Cl.** ..... **12-16**

(52) **U.S. Cl.**  
USPC ..... **D12/211; D12/213**

(58) **Field of Classification Search**  
USPC ..... **D12/204-213; 301/37.101, 64.101, 65, 301/64.201**  
See application file for complete search history.

(56) **References Cited**

**U.S. PATENT DOCUMENTS**

D392,239 S *	3/1998	Cullen	.....	D12/211
D477,556 S *	7/2003	Koch	.....	D12/211
D508,007 S *	8/2005	Koch	.....	D12/211
D515,493 S *	2/2006	Schaefers	.....	D12/211
D571,702 S *	6/2008	Guidry	.....	D12/209

D617,717 S *	6/2010	Nordmann	.....	D12/211
D619,071 S *	7/2010	Christensen et al.	.....	D12/211
D639,225 S *	6/2011	Forschner	.....	D12/211
D639,226 S *	6/2011	Juergens et al.	.....	D12/211
D673,494 S *	1/2013	Lemke	.....	D12/209
D680,049 S *	4/2013	Hale, Jr.	.....	D12/211
D680,486 S *	4/2013	Zhao	.....	D12/211
D680,940 S *	4/2013	Hale, Jr.	.....	D12/211
D686,963 S *	7/2013	Hale, Jr.	.....	D12/211
D689,002 S *	9/2013	Hale, Jr.	.....	D12/211

\* cited by examiner

*Primary Examiner* — Stacia Cadmus

(74) *Attorney, Agent, or Firm* — Christie, Parker & Hale, LLP

(57) **CLAIM**

The ornamental design for spoke segment of a vehicle wheel, as shown and described.

**DESCRIPTION**

FIG. 1 is a perspective view of a spoke segment of a vehicle wheel according to my new design; and, FIG. 2 is a front elevational view thereof.

The broken lines showing the round elements on the lip of the rim are included for the purpose of illustrating environment and form no part of the claimed design. The dash dot lines on either side of the spoke segment are for the purpose of illustrating the boundary of the claimed design and form no part thereof.

**1 Claim, 2 Drawing Sheets**

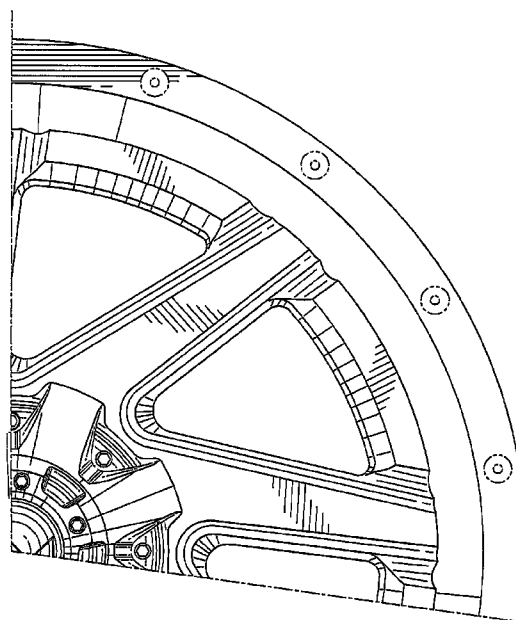
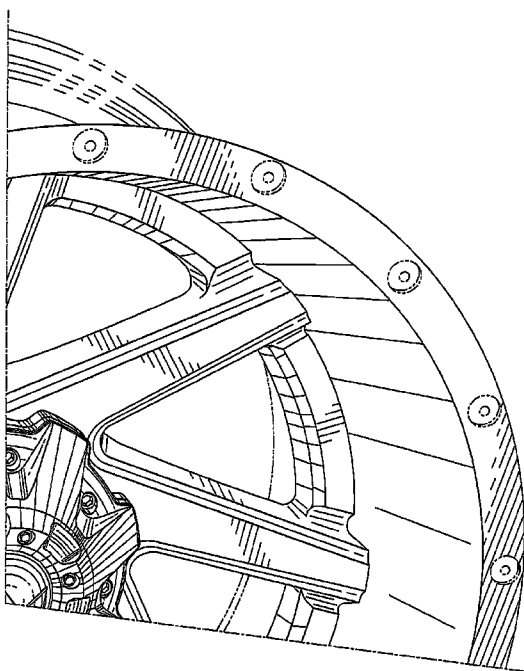


FIG. 1

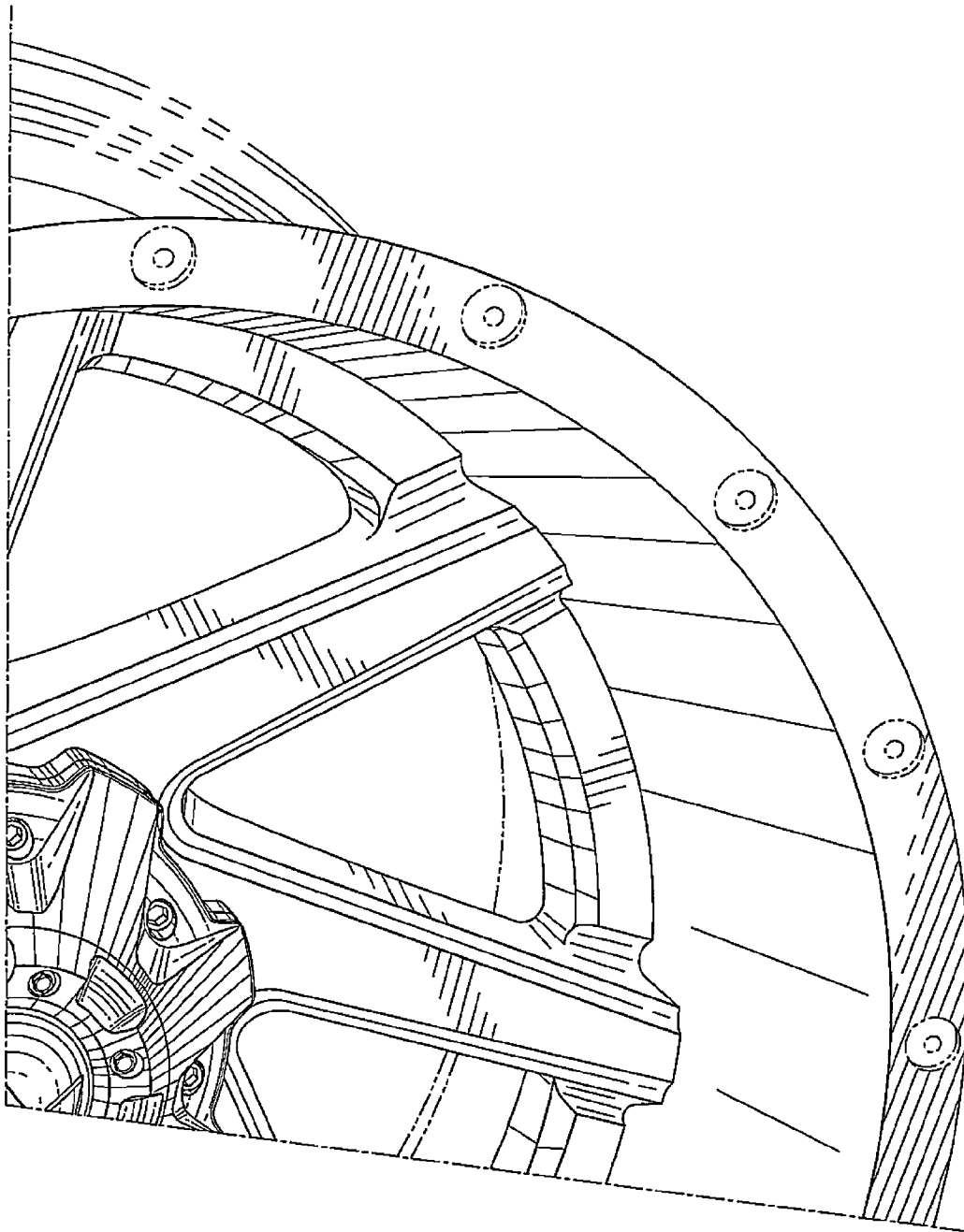


FIG. 2

