



US00D568009S

(12) **United States Design Patent**
Lam

(10) **Patent No.:** **US D568,009 S**

(45) **Date of Patent:** **** Apr. 29, 2008**

(54) **WATER FILTRATION VACUUM CLEANER**

(75) **Inventor:** **Hoi Tak Raymond Lam, Kowloon (CN)**

(73) **Assignee:** **South Asia International (HK) Ltd, Kowloon, Hong Kong (CN)**

(**) **Term:** **14 Years**

(21) **Appl. No.:** **29/269,018**

(22) **Filed:** **Nov. 17, 2006**

(51) **LOC (8) Cl.** **15-05**

(52) **U.S. Cl.** **D32/21**

(58) **Field of Classification Search** D32/21, D32/23-24, 31, 15-16; D23/225; 15/320-321, 15/353, 323, 327.1-327.7, 329, 339, 412, 15/340.2, 344, 347; 55/DIG. 2
See application file for complete search history.

(56) **References Cited**

U.S. PATENT DOCUMENTS

- D438,678 S * 3/2001 Griffin D32/21
- D447,292 S * 8/2001 Griffin D32/23
- D447,293 S * 8/2001 Griffin D32/23

- D447,842 S * 9/2001 Griffin D32/23
- D506,042 S * 6/2005 Griffin et al. D32/21
- D506,857 S * 6/2005 Griffin D32/23
- D512,545 S * 12/2005 Griffin D32/21

* cited by examiner

Primary Examiner—Ruth McInroy

(74) *Attorney, Agent, or Firm*—Alix, Yale & Ristas, LLP

(57) **CLAIM**

The ornamental design for a water filtration vacuum cleaner, as shown and described.

DESCRIPTION

FIG. 1 is a perspective view of a water filtration vacuum cleaner showing my new design;

FIG. 2 is a front elevational view thereof;

FIG. 3 is a rear elevational view thereof;

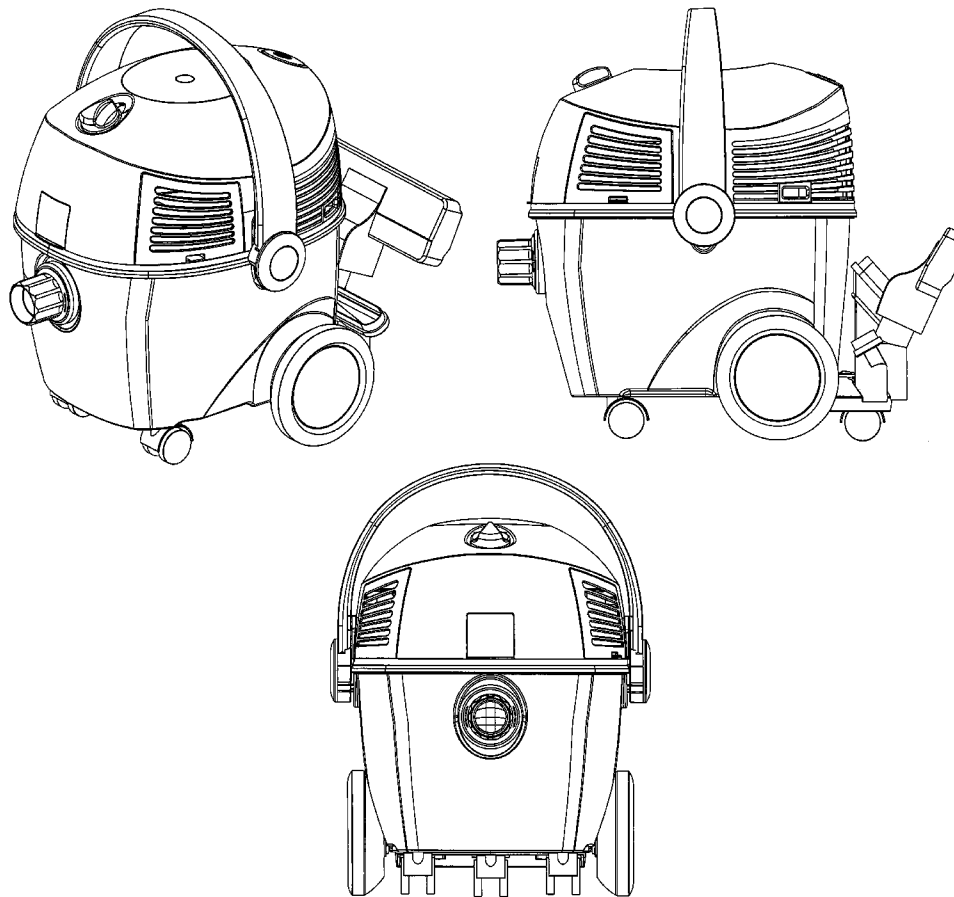
FIG. 4 is a top plan view thereof;

FIG. 5 is a bottom plan view thereof;

FIG. 6 is a left-side elevational view thereof; and,

FIG. 7 is a right-side elevational view thereof.

1 Claim, 7 Drawing Sheets



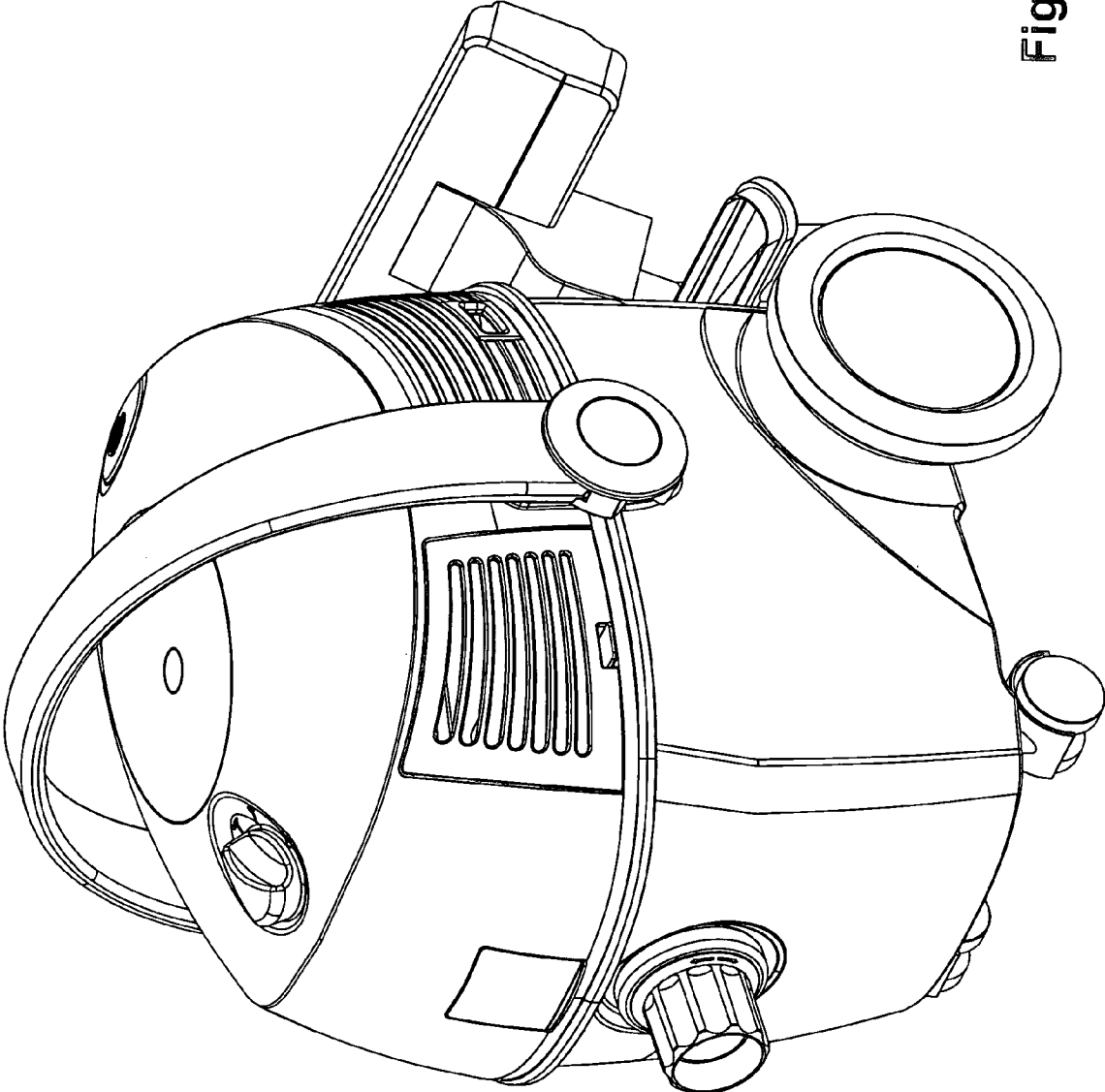


Figure 1

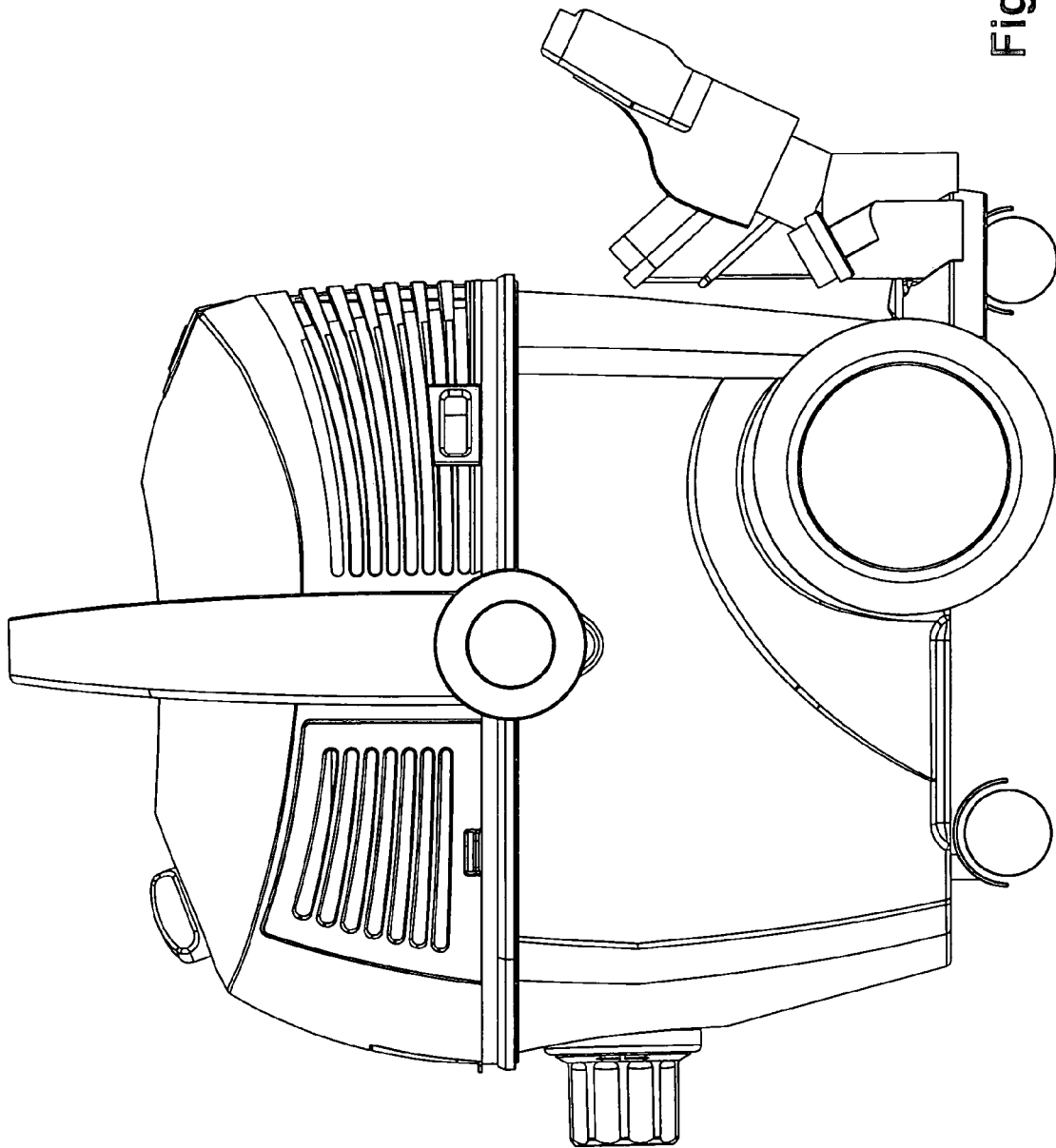


Figure 2

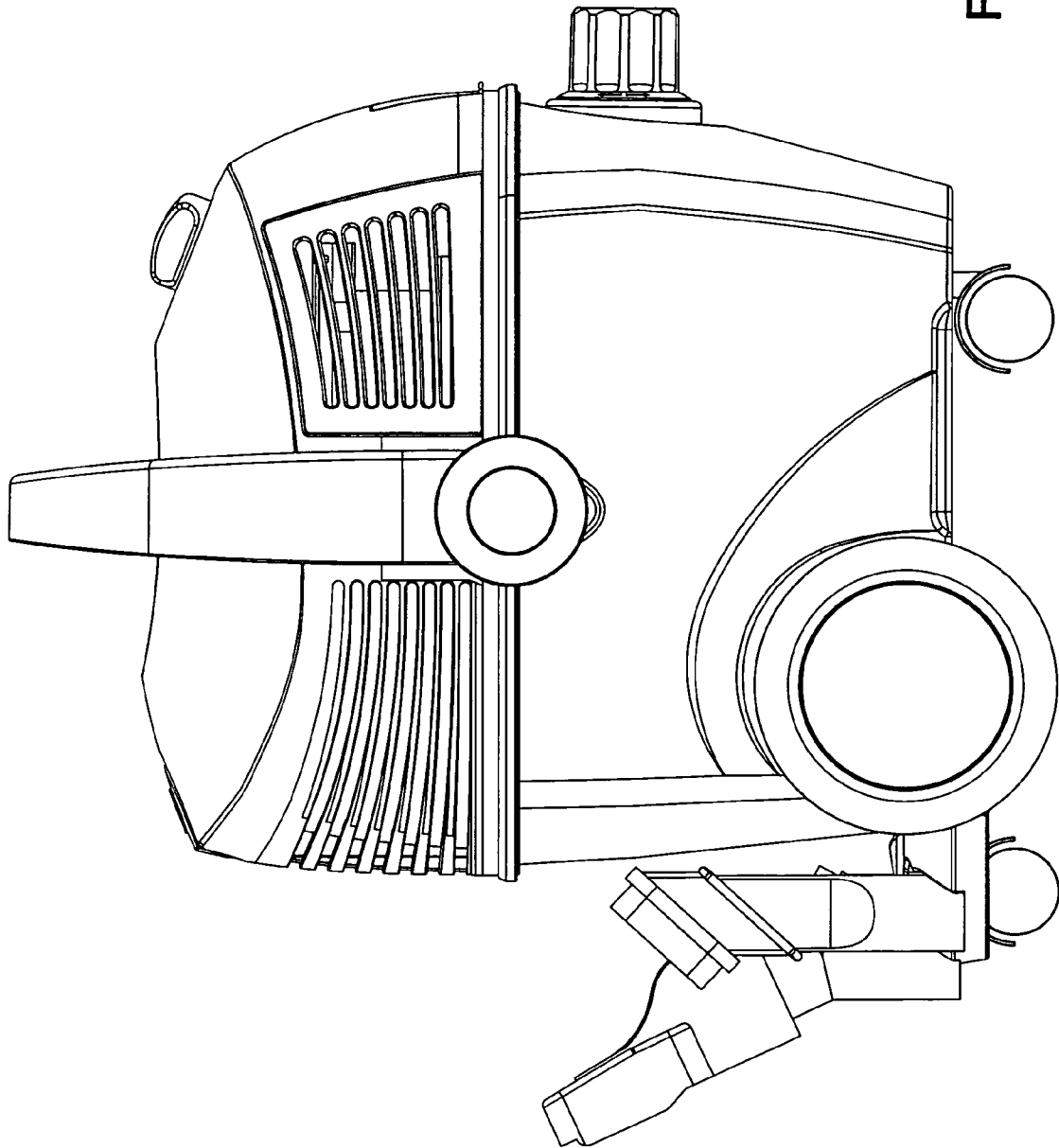


Figure 3

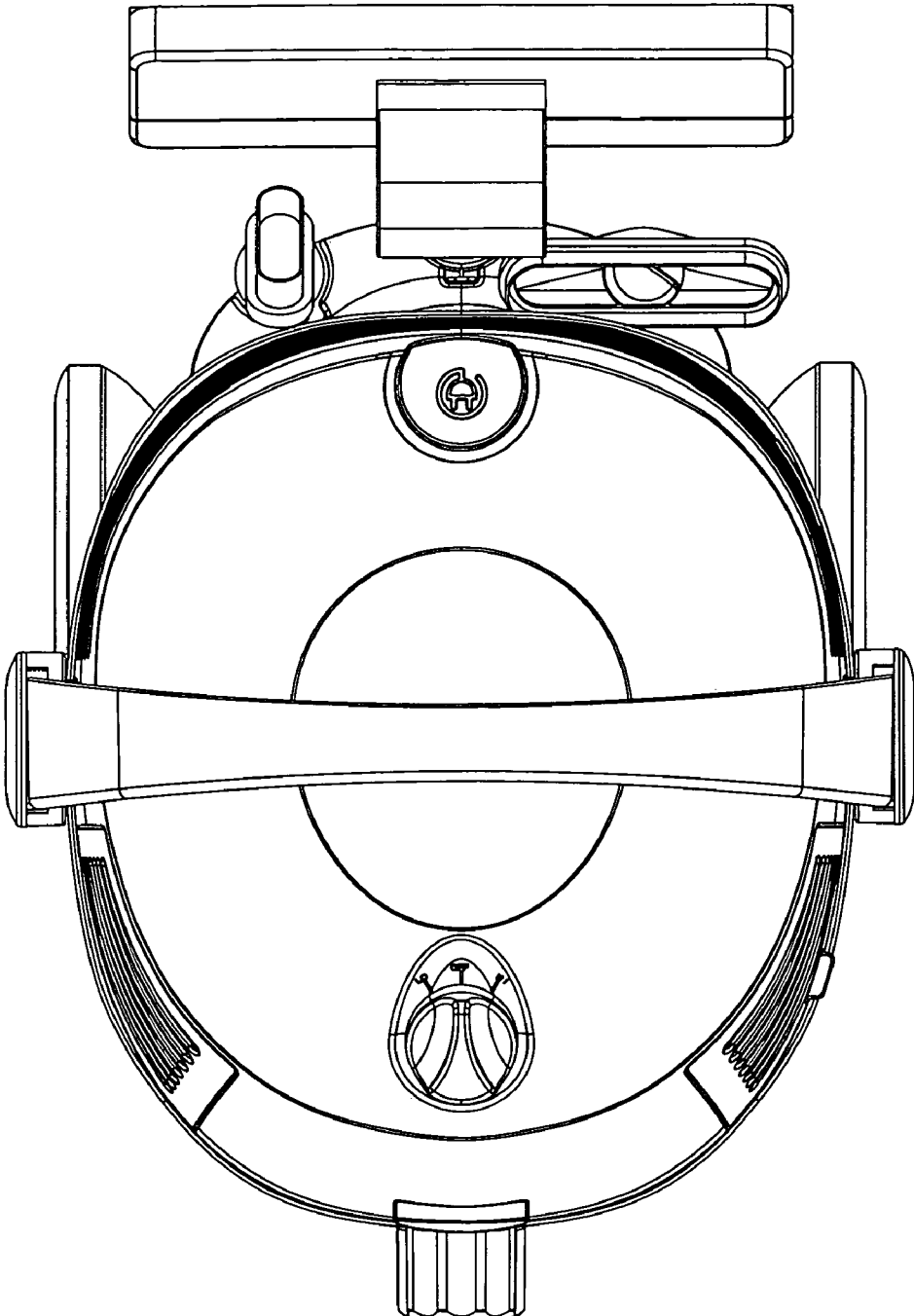


Figure 4

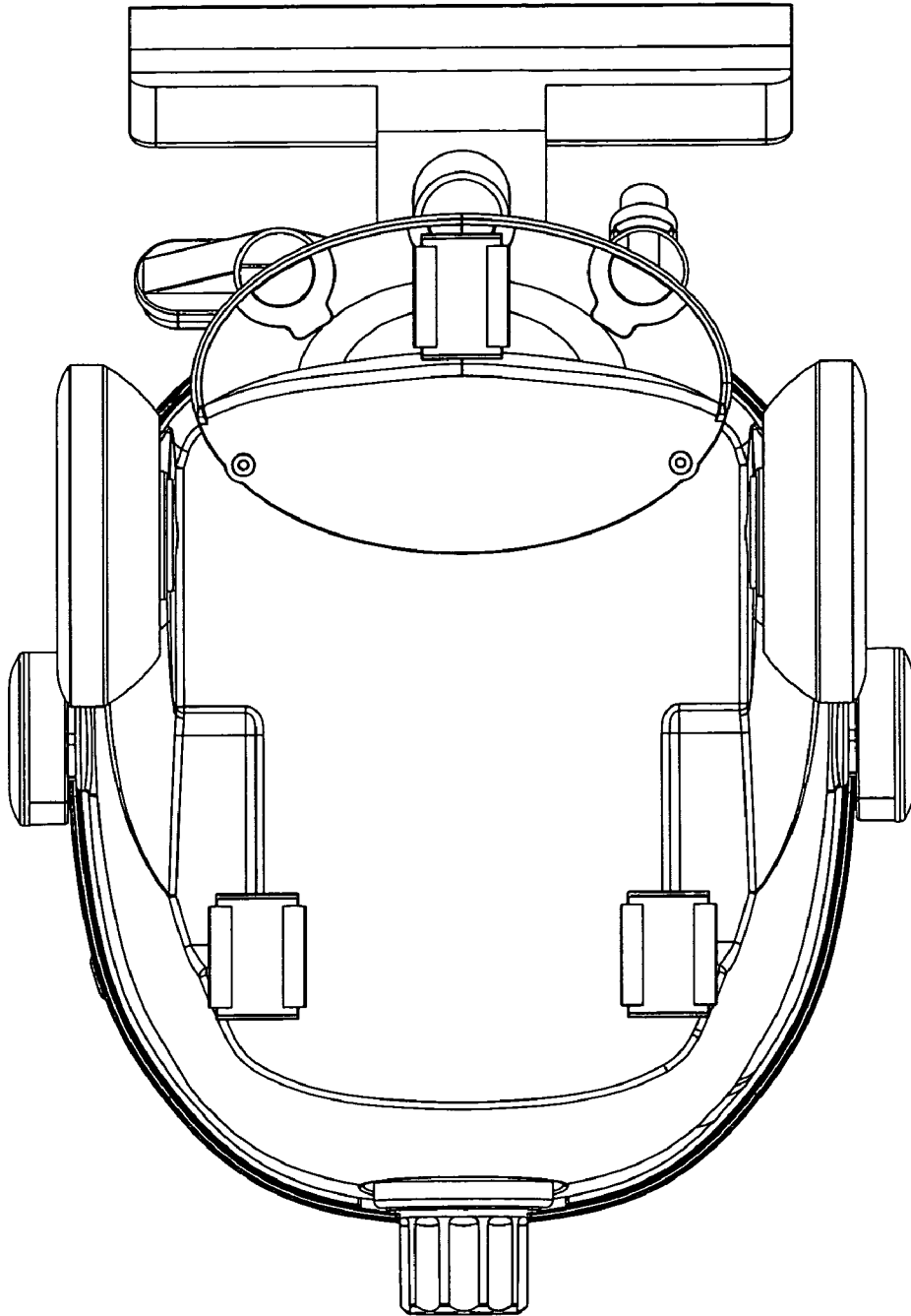


Figure 5

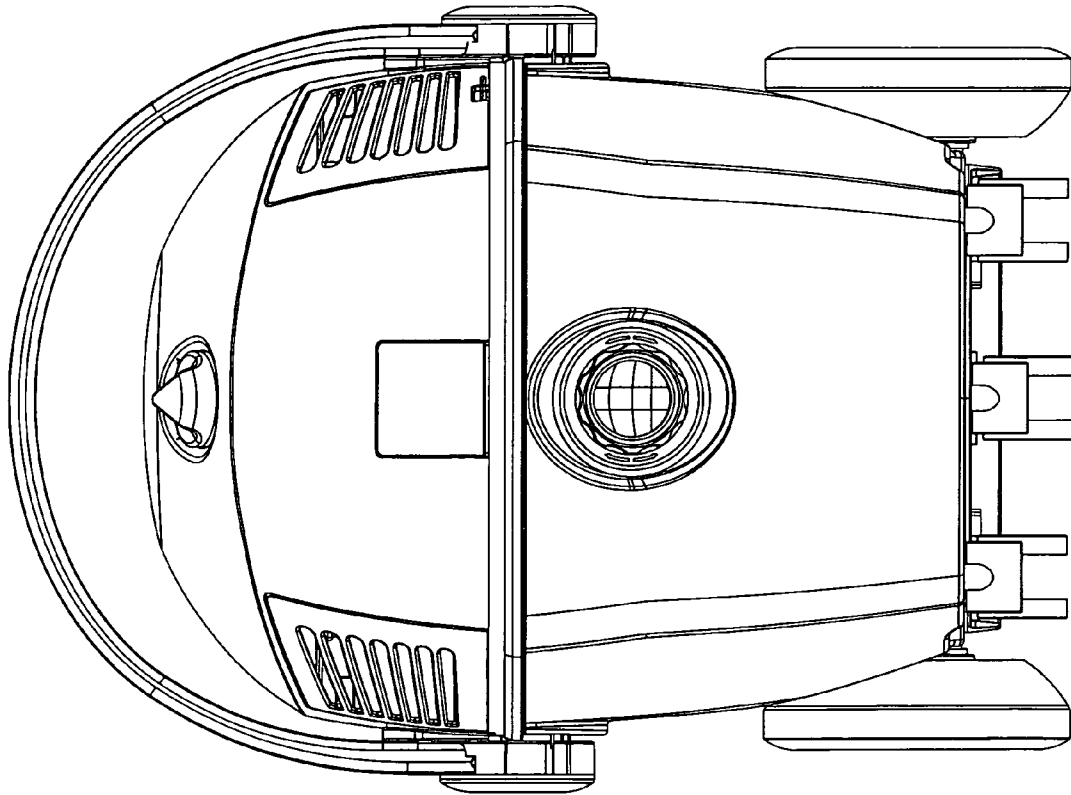


Figure 6

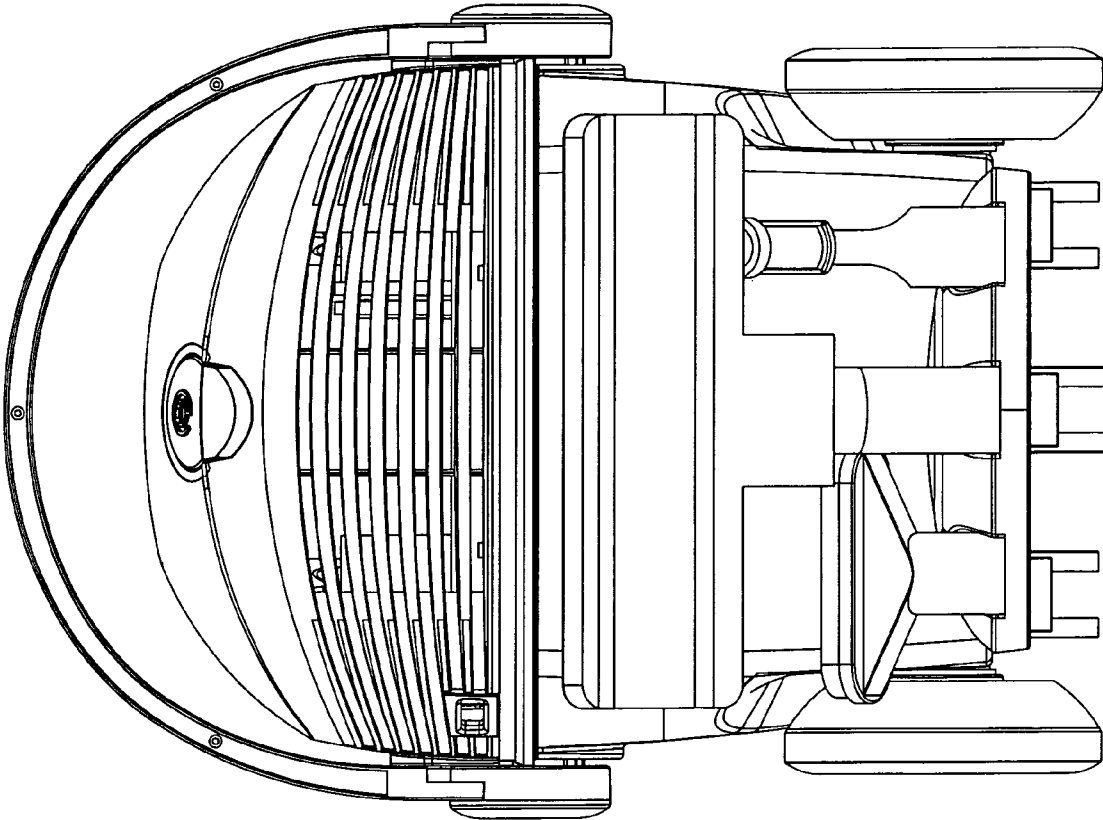


Figure 7