

(12) STANDARD PATENT
(19) AUSTRALIAN PATENT OFFICE

(11) Application No. **AU 2011264788 B2**

(54) Title
Liquid container

(51) International Patent Classification(s)
A47G 19/22 (2006.01) **B65D 43/02** (2006.01)
B65D 1/06 (2006.01) **B65D 53/02** (2006.01)

(21) Application No: **2011264788** (22) Date of Filing: **2011.06.09**

(87) WIPO No: **WO11/156635**

(30) Priority Data

(31) Number	(32) Date	(33) Country
61/353,573	2010.06.10	US

(43) Publication Date: **2011.12.15**

(44) Accepted Journal Date: **2016.02.25**

(71) Applicant(s)
David Bernstein

(72) Inventor(s)
Bernstein, David

(74) Agent / Attorney
Dark IP, PO BOX 2416, Fortitude Valley BC, QLD, 4006

(56) Related Art
US 2008/0011748 A1
US 6398050 B1
DE 4109886 A1

(12) INTERNATIONAL APPLICATION PUBLISHED UNDER THE PATENT COOPERATION TREATY (PCT)

(19) World Intellectual Property Organization
International Bureau



(43) International Publication Date
15 December 2011 (15.12.2011)

(10) International Publication Number
WO 2011/156635 A3

- (51) International Patent Classification:
A47G 19/22 (2006.01) B65D 43/02 (2006.01)
B65D 1/06 (2006.01) B65D 53/02 (2006.01)
- (21) International Application Number:
PCT/US2011/039850
- (22) International Filing Date:
9 June 2011 (09.06.2011)
- (25) Filing Language: English
- (26) Publication Language: English
- (30) Priority Data:
61/353,573 10 June 2010 (10.06.2010) US
- (72) Inventor; and
(71) Applicant : BERNSTEIN, David [US/US]; 404 East 55th Street #2G, New York, NY 10022 (US).
- (74) Agent: ALTMAN, Daniel, E.; Knobbe, Martens, Olson & Bear, LLP, 2040 Main Street, 14th Floor, Irvine, CA 92614 (US).
- (81) Designated States (*unless otherwise indicated, for every kind of national protection available*): AE, AG, AL, AM, AO, AT, AU, AZ, BA, BB, BG, BH, BR, BW, BY, BZ, CA, CH, CL, CN, CO, CR, CU, CZ, DE, DK, DM, DO, DZ, EC, EE, EG, ES, FI, GB, GD, GE, GH, GM, GT, HN, HR, HU, ID, IL, IN, IS, JP, KE, KG, KM, KN, KP, KR, KZ, LA, LC, LK, LR, LS, LT, LU, LY, MA, MD, ME, MG, MK, MN, MW, MX, MY, MZ, NA, NG, NI, NO, NZ, OM, PE, PG, PH, PL, PT, RO, RS, RU, SC, SD,

[Continued on next page]

(54) Title: LIQUID CONTAINER

(57) Abstract: A liquid container can be present and used in at least two different positions. The liquid container may be a wine container, which can be a wine bottle in its first position and also be a wine glass in its second position.



WO 2011/156635 A3

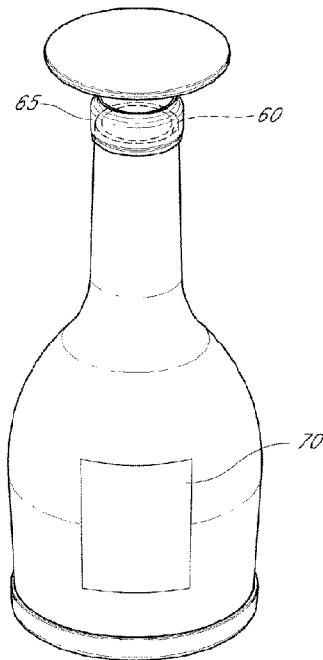


FIG. 7A



SE, SG, SK, SL, SM, ST, SV, SY, TH, TJ, TM, TN, TR, TT, TZ, UA, UG, US, UZ, VC, VN, ZA, ZM, ZW.

Published:

— with international search report (Art. 21(3))

(84) Designated States (unless otherwise indicated, for every kind of regional protection available): ARIPO (BW, GH, GM, KE, LR, LS, MW, MZ, NA, SD, SL, SZ, TZ, UG, ZM, ZW), Eurasian (AM, AZ, BY, KG, KZ, MD, RU, TJ, TM), European (AL, AT, BE, BG, CH, CY, CZ, DE, DK, EE, ES, FI, FR, GB, GR, HR, HU, IE, IS, IT, LT, LU, LV, MC, MK, MT, NL, NO, PL, PT, RO, RS, SE, SI, SK, SM, TR), OAPI (BF, BJ, CF, CG, CI, CM, GA, GN, GQ, GW, ML, MR, NE, SN, TD, TG).

— before the expiration of the time limit for amending the claims and to be republished in the event of receipt of amendments (Rule 48.2(h))

(88) Date of publication of the international search report:

26 April 2012

LIQUID CONTAINER

BACKGROUND OF THE INVENTION

Field of the Invention

The present invention is generally related to a liquid container, which can be present and used in at least two different positions. In one embodiment, the liquid container may be a wine container, which can be a wine bottle in its first position and can also be a wine glass in its second position.

Description of the Related Art

A liquid container, for example, a single serving wine container has been designed and used in a form of a small screw-top glass bottle, a plastic bottle, an aluminum bottle, an aluminum can or a tetra pack. The convenience and transportability of single serving wine containers would be achieved with these pre-existing forms of containers, but to consume it, a consumer has to drink the wine out of the bottle or can, or bring along his/her own second container such as a glass or goblet. The present invention solves this problem by having the bottle become its own glass.

BRIEF DESCRIPTION OF THE DRAWINGS

Figure 1A-1E shows a non-limiting, illustrative example of a liquid container according to some embodiments of the invention. Figure 1A and 1B shows the container in its first position whereas Figure 1C and 1D shows the container in its second position. Figure 1E shows a top view of the container.

Figure 2A-2D shows exploded views of a portion of liquid containers according to some embodiments of the invention. Figure 2A shows a vertical-sectional view of the container on which the lid is present. Figure 2B shows a vertical-sectional view of the container wherein the lid is removed. Figures 2C and 2D show exploded views of two illustrative examples of a lid.

Figure 3A-3D shows exploded views of a portion of liquid containers according to some other embodiments of the invention. Figure 3A shows a vertical-sectional view of the container on which the lid is present. Figure 3B shows a vertical-sectional view of the container wherein the lid is removed. Figures 3C and 3D show exploded views of two illustrative examples of a lid.

-4D shows exploded views of a portion of liquid containers according to still some other embodiments of the invention. Figure 4A shows a vertical-sectional view of the container on which the lid is present. Figure 4B shows a vertical-sectional view of the container wherein the lid is removed. Figures 4C and 4D show exploded views of two illustrative examples of a lid.

Figure 5A-5D shows exploded views of a portion of liquid containers according to still some other embodiments of the invention. Figure 5A shows a vertical-sectional view of the container on which the lid is present. Figure 5B shows a vertical-sectional view of the container wherein the lid is removed. Figures 5C and 5D show exploded views of two illustrative examples of a lid.

Figure 6A-6H shows some non-limiting illustrative examples of a liquid container according to some embodiments of the invention. Figures 6A, 6B, 6C and 6D show the containers in their first positions whereas Figures 6E, 6F, 6G and 6H show the containers in their second positions.

Figures 7A and 7B show a three-dimensional illustration of a liquid container according to some embodiments of the invention.

SUMMARY OF INVENTION

It is related to a liquid container, which is in the shape of a bottle with an elongated section at its top in a first position and is convertible to a glass or goblet in a second position with the elongated section at the bottom. The container may comprise a first end comprising a closed end, a second end comprising an open end wider than the elongated section, a first body comprising the elongated section, a second body comprising a hollow container, and a closure, which is a detachable closure adapted to seal the open end of the second end in the first position and to be detached from the open end of the second end in the second position. In some embodiments, the elongated section may be hollow such that the first body and the second body comprise a single hollow container.

According to some aspects, when the container is in the first position, the first end may form a bottle top, the second end and the closure may form a bottle base, the first body may form a bottle neck, and the second body may form a bottle body.

According to some other aspects, when the container is in the second position, the first end may form a base of the glass or goblet; the second end may form an opening of

t, the first body may form a stem of the glass or goblet, and the body may form a body of the glass or goblet.

In some embodiments, a height of the container, which may be defined by a shortest distance from the first end to the second end, may be about 5 to about 9 inches (about 12.5 to about 22.5cm). In some other embodiments, a material used for the first body and/or the first end may be heavier than a material used for the second body and/or the closure. In still other embodiments, the material used for the first body and/or the first end may comprise a heavy glass. In still other embodiments, the material used for the second body and/or the closure may comprise an acrylic plastic.

According to some embodiments, the container may further comprise an accessory added to provide weight at about the first body and/or the first end, so as to provide stability when the container is in the second position.

According to some other embodiments, the closure may comprise a secure element, which may be configured to prevent leakage of the liquid contained in the container. In certain embodiments, the secure element may comprise an O-ring. In other embodiments, the closure may be a re-sealable container. In still other embodiments, the closure may comprise a punt.

According to still some other embodiments, the container may further comprise liquid contained in the container. The liquid may be selected from the group consisting of liquor, wine, champagne, beer, soft drinks, water, juices, and milk. In some embodiments, the liquid contained in the container may be wine. In other embodiments, the container may be a single-serving wine container comprising about 75 ml to about 300 ml of wine. In certain some embodiments, the amount of the liquid may be about 187 ml.

It is also related to a method of manufacture the foregoing container, which may comprise providing a compartment comprising the first end, the second end, the first body, and the second body, providing liquid inside the container, and sealing the compartment with a closure.

Further, it is also related to a method of serving a liquid, which may comprise providing the liquid in the container, wherein the container is in the first position, placing the container in the second position, detaching the closure, and serving the liquid from the container in the first position. In some embodiments, the liquid served by the foregoing method may be a wine.

LED DESCRIPTION OF THE PREFERRED EMBODIMENT

The present invention is generally related to a liquid container, which can be present in at least two different positions.

The term “liquid” in this application generally includes all kinds of subject that is in a status of liquid or solution. In some embodiments, the liquid may include, but not limited to, any beverage or drinkable liquid or solution such as liquor, wine, champagne, beer, soft drinks, water, juices, milk, and other kinds. In one embodiment, the liquid may include wine.

The term “container” in this application generally includes any subject that can contain liquid. In some aspects, the container may include, but not limited to, a type of bottle, a type of jar, a type of glass, a type of goblet, a type of cup, and any other kinds. In one embodiment, the container may include a bottle, a glass, and a goblet, especially configured to contain wine.

The term “a bottle (or the like)” in the present application may refer to any types of a container that may function to contain, store, transport, display, and/or process (e.g. fermentation) liquid. Some non-limiting illustrative examples of this term may include a bottle, a jar, a can, and any other kinds.

The term “a glass (or the like)” in the present application may refer to any types of a container that may function to contain and/or store liquid, especially for a serving purpose. In general, a glass (or the like) may contain liquid, which is going to be consumed by a consumer in a relatively short time. Some non-limiting illustrative examples of this term may include a glass, a goblet, a vessel, a cup, and any other kinds.

In one aspect of the present invention, a liquid container may be a bottle (or the like) when displayed and carried in its first position; however, when changed to its second position, the container looks and functions like a glass (or the like). Such container that can be a bottle (or the like) as well as a glass (or the like) can be used as a single serving purpose in at least some embodiments. Therefore, in some illustrative examples, a liquid container may be a single serving wine bottle, which can also function as a glass.

A material used to make a liquid container according to some embodiments of the present invention may comprise a glass, a metal, and any synthetic or natural polymer such as an acrylic, a resin and others. Further, more than one material can be used to make a container such that, in one example, the container may be made with a glass as well as acrylic.

Example that a liquid container is a wine bottle convertible to a glass container can be present or stand in its first position to become a bottle (or the like). *See*, for example, Figure 1A and 1B for instant illustration of a container being its first position. This container, which is present and used as a bottle (or the like), can be converted into a glass (or the like) when the container is into its second position. *See*, for example, Figure 1C and 1D for instant illustration of a container being its second position. When the container is in its second position, the container is present and used as a glass (or the like). In this particular example shown in Figure 1A-1D, such conversion can be done by turning a container in its first position (i.e. as shown in Figure 1A-1B) upside down to its second position (i.e. as shown in Figure 1C-1D). The container may be designed and/or configured to be present or stand alone without any support on its first and second positions. Therefore, a liquid container according to some embodiments of the present invention can be used as a bottle (or the like) as well as a glass (or the like) by instantly converting its positions.

Conversion between a bottle (or the like) and a glass (or the like) according to some embodiments of the present invention can be achieved via a relatively simple and instant way, which comprises turning a container in one position upside down and placing the container in another position. Such conversion would not need additional process such as disassembling and/or reassembling the container. There are some containers known in the art that may be converted from one type (e.g. a bottle) to another type (e.g. drinking vessel). *See*, for example, US Patent Nos. 2,086,404, 640,860, 6,164,473, US Patent Application Publication No. US 2005/0092760, and International Application Publication No. WO 00/12404. However, all of such containers in the art require additional process such as disassembling and/or reassembling at least part of the container for the conversion. The containers in the art typically comprise a detachable base. Conversion of such containers into, for example, drinking vessels can be done by removing (or disassembling) the detachable base from the body of the bottle, inverting the body of the bottle, and reattaching (reassembling) the detached base to the top of the bottle. Accordingly, the detached base would serve as a base of the drinking vessels as well as bottles. It is very clear, however, in at least some embodiments of the present invention that such process of disassembling and/or reassembling the container in the art is not necessary to achieve conversion of a bottle (or the like) to a glass (or the like).

For the purpose of instant illustration, liquid containers that are generally convertible to a wine bottle (which can be convertible to a wine glass) are described as non-limiting examples of some embodiments of the present invention in the following. While only a few exemplary applications are described herein for the purpose of illustration, many different modifications and alternations, which should be obvious to a person with ordinary skill in the art, can also be done without affecting the scope of the invention. Therefore, not only the examples disclosed in this application but also such obvious modifications and alterations should also be included in the scope of the invention. For example, a liquid container according to some embodiments of the present invention can be used for other kinds of liquid including any beverage or drinkable liquid or solution such as liquor, wine, champagne, beer, soft drinks, water, juices, milk, and others. Thus, any containers that can be used to contain any kinds of liquid and that can be used as a bottle (or the like) as well as a glass (or the like) are also included in the scope of the invention.

Referring to Figure 1, a single serving wine bottle is provided as a non-limiting and illustrative example of a liquid container according to some embodiments of the invention. Figures 1A and 1B show the liquid container in its first position (i.e. a bottle position) whereas Figures 1C and 1D show the liquid container in its second position (i.e. a glass position).

In the foregoing example, the liquid container may comprise a first end (1), a second end (20), a first body (5) comprising an elongated section, a second body (10), and a lid (25), each of which may serve dual-purpose depending on the positions of the container. For example, when the container is in the bottle position, the first end (1), the first body (5), and the second body (10) would look and/or function as a bottle top, a bottle neck, and a bottle body, respectively. In addition, the second end (20) may look and/or function as a base/bottom of the container that is in the first position (i.e. the bottle position; *See* Figure 1A and 1B). However, when the container is turned upside down and thus becomes in the second position (i.e. the glass position; *See* Figure 1C and 1D), the first end (1), the first body (5) comprising an elongated section, and the second body (10) would look and/or function as a base/bottom, a stem, and a body of a glass, respectively. Further, in this second/glass position, the second end (20) would serve as a top of a glass. When the lid (25) is removed from the container in the glass position, the opening of a glass, which is a first opening (26), would be exposed so that a consumer can consume

container. As shown, the lid (25) may optionally include a dimple referred to as a punt.

The liquid container according to some embodiments of the invention can be made in a variety of dimensions. For example, the height of the container, which is marked as (a) in Figure 1, can be about 3 to 10 inches (about 7.5 to about 25 cm). Thus, in some embodiments, the container can be about 3, 3.5, 4, 4.5, 5, 5.5, 6, 6.5, 7, 7.5, 8, 8.5, 9, 9.5, and 10 inches (about 7.5, 8.75, 10, 11.25, 12.5, 13.75, 15, 16.25, 17.5, 18.75, 20, 21.25, 22.5, 23.75 and 25cm) in height or in any range of height within these values. Thus, for example, in some embodiments, the container can be about 5 to about 9-inches (about 12.5 to about 22.5cm) high from the first end (1) to the second end (20).

The length of the first body (marked as (b)) and of the second body (marked as (c)) can also be various. In Figure 1, b' and c' represents a half of b and c, respectively. For example, the first body (5) would be shorter than the second body (10), whereas the length (b) of the first body (5) can be similar or longer than that of the second body (c, 10).

As to the first and second ends (1 and 20), they may be in generally similar shapes (e.g. both of which are generally in a circular or oval shape as in Figure 1) or be in different shapes (e.g. the first end (1) is in a rectangular shape while the second end (2) is in an oval shape or vice versa).

The area (or size) of both ends can also be various. In one example, the area (size) of the first end (1) may be larger than that of the second end (20). In another example, the second end (2) may have a larger size as compared to the first end (1). In still another example, the first and second ends (1 and 20) may have a same or similar area (size) to each other. In some particular examples wherein the first and second ends (1 and 20) are in generally a circular or oval shape, the diameter (e) of the first end (1) can be smaller, similar or larger than that of the second end (d, 20). Thus, it should be considered that an area (size) and a shape of the first and second ends (1 and 20) can be made in a variety of options and all of such variations are obviously included in the scope of the invention.

According to some aspects of the present invention, the first body (5) may be shaped as a cylinder or rod as shown in Figure 1. In some embodiments, the first body (5) comprises an elongated section. In some of certain embodiments, the elongated section may be hollow. The diameter of the first body (5), which is marked as (g) in Figure 1, may indicate the longest distance between one end to another of the first body when measured in a direction of x-axis. This diameter (g) of the first body can be any distance

1 to about 3 inches (about 0.25 to about 7.5cm). The diameter be, for example, about 0.1, 0.5, 0.7, 1, 1.2, 1.5, 1.7, 2.0, 2.2, 2.5, 2.7, or 3.0 inches (about 0.25, 1.25, 1.75, 2.5, 3.0, 3.75, 4.25, 5.0, 5.5, 6.25, 6.75 or 7.5cm). In some other examples, the diameter (g) can be more than 3 inches (7.5cm).

As to the second body (10), it may be shaped in a cylinder, more particularly a curved dome shape in at least some embodiments. As shown in Figure 1, the second body (10) may have a curved wall and its diameter may be varied throughout its height. The diameter of the second body (10), which is marked as (f) in Figure 1, may indicate the longest distance between one end to another of the second body when measured in a direction of x-axis. This diameter (f) of the second body can be any distance between about 1 to 10 inches (about 2.5 to about 25 cm). In some examples, the diameter (f) can be between about 1 to 8 inches (about 2.5 to 20cm). In some other examples, the diameter (f) can be between about 1 to 6 inches. In still some other examples, the diameter (f) can be between about 1 to 5 inches. In still some other examples, the diameter (f) can be about 1, 1.5, 2, 2.5, 3, 3.5, 4, 4.5, 5, 5.5, 6, 6.5, 7, 7.5, 8, 8.5, 9, 9.5, or 10 inches (about 2.5, 3.75, 5, 6.25, 7.5, 8.75, 10, 11.25, 12.5, 13.75, 15, 16.25, 17.5, 18.75, 20, 21.25, 22.5, 23.75 or 25 cm). Further, if desired, the diameter (f) can be larger than 10 inches (25 cm).

The second body (10) may have a variety of shapes. For example, the second body (10) shown in the container of Figure 1 becomes narrower as being close to the first body (5). However, the container according to the present invention is not limited to such a shape and can be made in a variety shapes. An alternative example is shown in Figure 6D and 6H, wherein the second body is shaped in a generally rectangular shape and the diameter (f) of the second body is kept relatively same throughout its height.

As described above, it should be considered that an area (size) and a shape of the first and second bodies (5 and 10) as well as the first and second ends (1 and 20) can be made in a variety of options and all of such variations are obviously included in the scope of the invention.

According to various aspects of the present invention, the liquid container may be present or stand alone in at least two separate positions without any further support. In the first position (i.e. the bottle position) as seen in Figure 1A and 1B, the container looks and functions as a bottle (or the like). When the container is in the bottle position, the container can hold its position without any further support. To maintain this position

the center of gravity of the liquid container may be present son within the area marked as CG1. The CG1 area generally covers the lower half of the first body (5), the entire second body (10), and the second end (20). Thus, the center of gravity of the liquid container in its bottle position can be placed anywhere in the liquid container, especially marked in the CG1 area. It would be perceivable that the center of gravity may be varied depending on the amount of the liquid contained in the liquid container. It would be likely that the center of gravity of the liquid container in its bottle position may be moved toward the lower end of the CG1 area (i.e. toward to the second end 20) if more liquid is contained in the container. If some of the liquid is removed from the container and the container becomes in its bottle position, the center of gravity may be moved toward the upper end of the CG1 area (i.e. toward the first end 1) as compared to that of the container with full amount of the liquid. In any event, however, the center of gravity of the liquid container, which is in its bottle position, would be present anywhere in the CG1 area and thus the bottle position may be kept relatively stable.

When the liquid container is in its second position (i.e. the glass position) as in Figure 1C and 1D, the liquid container may also be able to be present or stand alone without any support and maintain its glass position. Thus, it may look and function as a glass (or the like). To maintain this glass position relatively stable, the center of gravity of the liquid container may be present somewhere within the area marked as CG2. The CG2 area generally covers the lower half of the second body (10), the entire first body (5), and the first end (1). Thus, the center of gravity of the liquid container in its glass position can be placed anywhere in the liquid container, especially marked in the CG2 area. It would be perceivable that the center of gravity may be varied depending on the amount of the liquid contained in the liquid container. It would be likely that the center of gravity of the liquid container in its glass position may be moved toward the upper end of the CG2 area (i.e. toward to the second end 20) if more liquid is contained in the container. If some of the liquid is removed from the container and stays in its glass position, the center of gravity may be moved toward the lower end of the CG2 area (i.e. toward the first end 1) as compared to that of the container with full amount of the liquid. In any event, however, the center of gravity of the liquid container, which is in its glass position, would be present anywhere in the CG2 area and thus the glass position may be kept relatively stable.

As described above, the center of gravity of the liquid container would not be varied depending on the position of the container. Therefore, the container in either position would stably maintain its position without any additional support. There are a variety of ways to make the center of gravity of the liquid container in the desired area (i.e. the CG1 area in the bottle positions or the CG2 area in the glass position). Especially, it would be important to ensure that the center of gravity is generally present in the CG2 area when the container is in the glass position. In some examples, most of the liquid would be contained in the relatively upper portion of the container in the glass position, and thus, such container would be easier to be tipped over as compared to the container in the bottle position. Such instability of the container would of course not be preferred by a consumer. Accordingly, the stability of the liquid container to maintain its glass position would be sufficient so that a consumer would use this container like a conventional wine glass, goblet, or cup.

One way to ensure that the center of the gravity is present in the CG2 area when the liquid container is in the glass position is to provide more weight in the lower portion of the container (i.e. the lower half of the second body 10, the first body 5 and/or the first end 1) than in the upper portion of the container (i.e. the upper half of the second body 10 and the lid 25). Therefore, even the container in its glass position contains a full amount of liquid, the center of gravity of the container is generally kept within the CG2 area.

In one example, the material(s) used in this lower portion of the container (i.e. the lower half of the second body 10, the first body 5 and/or the first end 1) would be generally heavier than those used in the upper portion of the container (i.e. the upper half of the second body 10 and the lid 25). More particularly, the first body (5) and/or the first end (1) may be made of heavier material(s) than those used in the second body (10) and/or the lid (25). Therefore, in one particular example, the lower portion of the container may be made of a heavy glass whereas the upper portion of the container may be made of a lighter material such as an acrylic. In addition, the lid (25) may be made of a relatively light material such as an acrylic as compared to those used in the rest of the container and thus it would not significantly add weight to the upper portion of the container.

In addition, to add more weight in the lower portion of the container in the glass position (i.e. the lower half of the second body 10, the first body 5 and/or the first end 1), the size of the lower portion may be varied as well. If desired, the first body (5) and/or the first end (1) may be made in a larger size. In other words, the diameter (g) and/or the

first body (5) can be increased, and the thickness as well as the center of gravity (e) of the first end (1) can also be increased.

Alternatively, the thickness of each portion of the container may be made differently. The wall of the second body (10) would be thicker as it is close to the first body (5) and therefore more materials (e.g. glass) would be present in the lower half of the second body (10).

In another example, more weight can be provided in the lower portion of the container in the glass position (i.e. the lower half of the second body 10, the first body 5 and/or the first end 1) by adding some heavy materials to the lower portion. For instance, metals and any other heavy materials may be added, for example, in a form of label or accessories in the first body (5) and/or the first end (1). Alternatively, one or more additional sub-structure can be attached, added, and/or placed in the first body (1) and/or the first end (1). Therefore, in one particular example, a type of stopper such as a cork can be placed in the first body (5) and/or the first end (1). Such stopper can be made of any materials such as wood including cork, glass, metals, any synthetic or natural polymers, and any combinations thereof. In addition, the stopper in the first body (5) and/or the first end (1) may provide a look of a conventional wine bottle with a cork to the liquid container when it is in its bottle position.

In still another example, the first body (5) may be manufactured in a filled or solid form that is made of a glass or any other suitable materials. More specifically, a dense or heavy material such as heavy glass may be used to make the first body (5) whereas the upper portion (e.g. the lid 25) may be made of a lighter material such as an acrylic.

By having one or more configurations as discussed above, generally more weight would be present in the lower portion of the container (i.e. the lower half of the second body 10, the first body 5 and/or the first end 1) when the container is in its glass position and thereby the center of gravity would be kept within the CG2 area. While various aspects and embodiments have been disclosed in the above, especially regarding how to maintain the center of gravity within the CG2 area when the container is in the glass position, other aspects and embodiments will be apparent to those skilled in the art. The various aspects and embodiments disclosed herein are for purposes of illustration and are not intended to be limiting, with the true scope and spirit of the present invention.

One aspect of the invention is related to a lid. The lid is generally used to close the opening of the liquid container such that the liquid is contained in the container

ked. A non-limiting and illustrative example of the lid (25) is shown in Figure 1A-1D and an exploded top view is shown in Figure 1E. The lid in this example looks and functions as a base/bottom of a bottle in Figure 1A and 1B. When the container is turned upside down and thus becomes in its second position (i.e. Figure 1C-1E), the lid (25) is presented on top of a glass. This lid (25) would be removed once the liquid contained in the liquid container is desired to be consumed.

A lid of a liquid container according to some embodiments of the present invention can be made in a variety of shapes and size. Some non-limiting examples of such lid are shown in Figures 2-5 for the illustration purpose.

In Figure 2, especially, in Figure 2A and 2C, the lid (25) may comprise a wall (30), a protrusion (40), and a secure element (35). The wall (30) and the protrusion (40) may be made as one piece or alternatively made in at least two separate pieces and associated. In any event, the wall (30) and the protrusion (40) may be made of a glass, a metal, and/or any synthetic or natural polymer such as an acrylic and a resin. Further, each of the protrusion (40) and the walls (30) can be made of more than one material. Therefore, in one example, the entire lid including the walls (30) and the protrusion (40) may be made of a glass or an acrylic. In another example, the protrusion (40) may be made of a glass whereas the walls (30) may be made of a resin. Any further obvious combination would be of course included in the scope of the present application.

The lid may comprise a secure element (35) to tightly seal the container and prevent leakage of the liquid. In one example, the secure element (35) may be a type of O-ring that would be made of a resin or any flexible (synthetic or natural) polymer. Thus, in such example, the secure element (35) would tightly contact the wall of the second body (10) and prevent the liquid contained in the container from being leaked therefrom. The examples shown in Figure 2 generally illustrate the secure element (35) contacting the outside wall (15) of the second body (10); however it is not limited to such a configuration only. Therefore, the walls (30) of the lid (25) may be configured to be placed inside the second body (10) and the secure element (35) may be placed between the inner wall (22) of the second body (10) and the outside wall of the walls (30). Optionally, the inner or outer wall of the second body (10) may comprise one or more groove in which the secure element(s) may fit tightly. In any event, a consumer or any one who would desire to open the lid can easily remove the lid from the liquid container by twisting and/or pulling out the lid from the container. After such removal, the liquid

and functions as a glass or goblet as shown in Figure 2B.]
variations, the protrusion (40) may not be present and thus the lid such as in Figure 2D can be used. Figure 3 shows some alterations of the lid wherein the wall (30) is in a flat or plane form. If desired, the lid in any of the foregoing examples can be used again to re-seal the container.

Some further alternations in the lid structure are shown in Figure 4. In this example, the lid may be formed similar to those illustrated in Figure 2 but utilize a different closure mechanism. The lid may cover the opening (20) relatively tightly as seen in, for example, Figure 4A, and a secure band (45) can be wrapped around the lid (25) to tightly seal the container. In such example, a consumer or any one who would desire to remove the lid may need to unwrap the secure band (45) from the container and easily take the lid off. This particular mechanism may be used in combination with the previous embodiment, which is using an O-ring type of secure element (35) to further tighten the closure. The secure band (45) can be made of any material suitable to prevent the liquid leakage. In addition, the secure band (45) may further comprise an adhesive to enhance the security of the closure.

Still some further alterations in the lid structure are shown in Figure 5. The particular example shown in this figure utilizes a screw-type of closure. Thus, as illustrated in Figure 5A, the side wall of the lid (25) as well as the second body (10) comprise notches (50 and 55). The detailed views of this screw-type of lids are further illustrated in Figure 5B and 5C. After removal of the lid, the second body may comprise the notches on its inner or outer wall as seen in Figure 5B. If desired, the lid can be used again to re-seal the container.

In addition to the foregoing, Figure 6 presents further non-limiting and illustrative embodiments of a liquid container according to some embodiments of the present invention. The liquid container in some of embodiments may comprise one opening as shown in the previous figures; however, the container may comprise additional opening(s) in some other embodiments. Therefore, as shown in, for example, Figure 6A-6D, the first body (5) may comprise a second opening (60), which may be covered by a secure element (65). In such embodiments, the liquid may be provided into the container via a first opening (20) or via a second opening (60) during the manufacturing process. The second opening may be reversibly or irreversibly secured after provision of the liquid. If desired, the second opening (60) may be opened to transfer the liquid to a separate container.

Also show a variety of shapes of a liquid container that can be used in at least two separate positions. In Figure 6A-6D, the containers are in their first positions, which are the bottle position. However, by being turned upside down, these containers are in their second positions, i.e. the glass position in Figure 6E-6H. As described elsewhere in the present application, the size and shape of the container can be varied. For instance, the second body may be in a generally cylinder shape with a curved wall as in Figure 6A-6C and Figure 6E-6G. Alternatively, the liquid container may comprise square-shaped walls as seen in Figure 6D and 6H.

In addition, the width as well as the size of the container can be highly variable. Accordingly, the amount of liquid contained in the liquid container may vary from about 20 ml to 500 ml of liquid, or about 75 to about 300 ml of liquid. In some examples, the liquid container may be able to contain about 20 ml, 30 ml, 60 ml, 80 ml, 100 ml, 150 ml, 200 ml, 250 ml, 300 ml, 350 ml, 400 ml, 450 ml, or 500 ml of liquid. In some other examples, the liquid container may be able to contain about 100 ml, 110 ml, 120 ml, 130 ml, 140 ml, 150 ml, 160 ml, 170 ml, 180 ml, 190 ml, and 200 ml of liquid. In still some other examples, the liquid container may be able to contain about 160 ml, 165 ml, 170 ml, 175 ml, 180 ml, 185 ml, 190 ml, 195 ml, and 200 ml of liquid. In still some other examples, the liquid container may be able to contain about 180 ml, 181 ml, 182 ml, 183 ml, 184 ml, 185 ml, 186 ml, 187 ml, 188 ml, 189 ml, and 190 ml of liquid. In still some other examples, the liquid container may be able to contain about 187 ml of liquid. In still some other examples, the liquid container may contain more than about 500 ml of the liquid.

The liquid may be present in the first and/or second bodies of the liquid container. The first body (5) can be hollow and thus contain the liquid. Alternatively, at least part of the first body (5) may be a closed and filled structure and thus the liquid may not be contained in such part. As to the second body (10), the relatively entire area of the second body may be hollow and thus contain the liquid; however in some examples, at least part of the second body may be filled with, for example, a glass or acrylic, and thus such filled part may not be able to contain the liquid.

The liquid container according to some embodiments of the present invention may further comprise additional elements such as a label (70). A label in this application generally includes any additional elements that may be attached inside or outside of the liquid container. Some illustrative examples of such labels are shown in Figures 6 and 7.

is added to provide information about the liquid (e.g. the name of the liquid, the production date and place, nutrition information, storage information, and others). The label may be attached to the container in a way that is readable when the container is in one of two positions (i.e. bottle or glass position). Alternatively, a plurality of the labels may be attached to be read and/or used in both of the two positions.

While various aspects and embodiments have been disclosed herein, other aspects and embodiments will be apparent to those skilled in the art. The various aspects and embodiments disclosed herein are for purposes of illustration and are not intended to be limiting, with the true scope and spirit of the present invention.

The claims defining the invention are as follows:

1. A liquid container, which is in the shape of a bottle with an elongated section at its top in a first position and is convertible to a glass or goblet in a second position with the elongated section at the bottom without reassembling any part of the container, comprising:

- a first end comprising a closed end;
- a second end comprising an open end wider than said elongated section;
- a first body comprising said elongated section;
- a second body comprising a hollow container; and

a closure, which is a detachable closure adapted to seal said open end of said second end in said first position and to be detached from said open end of said second end in said second position;

wherein in the first position the container has a first center of gravity from the second end to the midpoint of the first body when said container is empty and when said container is full of liquid; and

wherein in the second position the container has a second center of gravity from the first end to the midpoint of the second body when said container is empty and when said container is full of liquid.

2. The container according to Claim 1, wherein said elongated section is hollow such that said first body and said second body comprise a single hollow container.

3. The container according to Claim 1 or 2, wherein, in the first position,

- the first end forms a bottle top;
- the second end and the closure form a bottle base;
- the first body forms a bottle neck; and
- the second body forms a bottle body;

and/or wherein, in the second position,

- the first end forms a base of the glass or goblet;
- the second end forms an opening of the glass or goblet;
- the first body forms a stem of the glass or goblet; and

the second body forms a body of the glass or goblet.

4. The container according to any one of Claims 1 to 3, wherein a height of the container, which is defined by a shortest distance from the first end to the second end, is about 5 to about 9 inches (about 12.5 to about 22.5cm).

5. The container according to any one of Claims 1 to 4, wherein a material used for the first body and/or the first end is heavier than a material used for the second body and/or the closure.

6. The container according to Claim 5, wherein the material used for the first body and/or the first end comprises a heavy glass, and/or wherein the material used for the second body and/or the closure comprises an acrylic plastic.

7. The container according to any one of Claims 1 to 6, further comprising an accessory added to provide weight at about the first body and/or the first end, so as to provide stability when the container is in the second position.

8. The container according to any one of Claims 1 to 7, wherein the closure comprises a secure element which is configured to prevent leakage of the liquid contained in the container, and is preferably re-sealable.

9. The container according to Claim 8, wherein the secure element comprises an O-ring.

10. The container according to any one of Claims 1 to 9, further comprising liquid contained in the container, said liquid being selected from the group consisting of liquor, wine, champagne, beer, soft drinks, water, juices, and milk.

11. The container according to Claim 10, wherein the container is a single-serving wine container comprising about 75 ml to about 300 ml of wine, preferably about 187 ml.

12. The container according to any one of Claims 1 to 11, wherein the closure comprises a punt.

13. A method of manufacture the container according to Claim 1 comprising:
providing a compartment comprising the first end, the second end, the first body, and the second body;

providing liquid inside the container; and
sealing the compartment with a closure.

14. A method of serving a liquid comprising:

providing the liquid in the container according to any one of Claims 1 to 12, wherein the container is in the first position;

placing the container in the second position;

detaching the closure; and

serving the liquid from the container in the second position without reassembling the closure to the container.

15. The method of Claim 14, wherein the liquid is a wine.

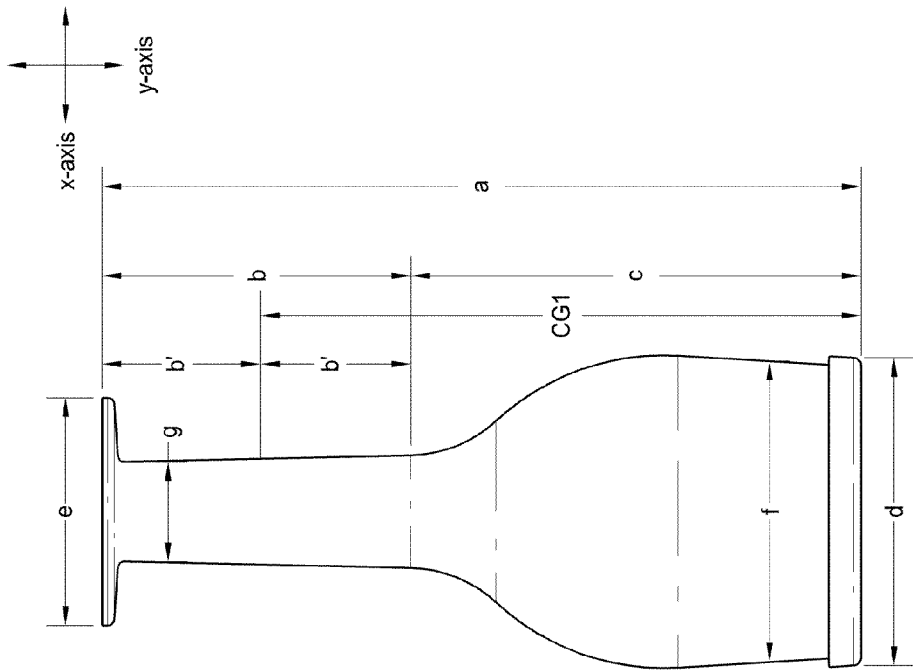


FIG. 1B

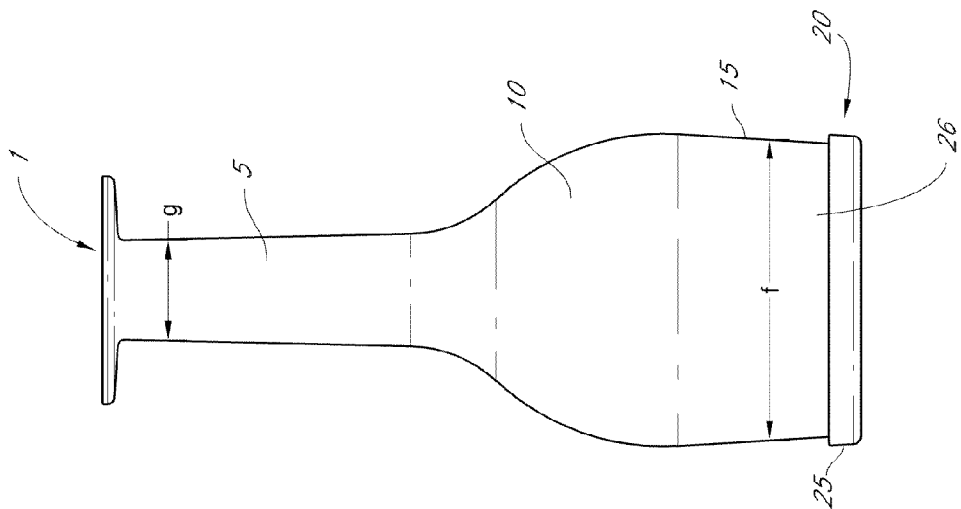


FIG. 1A

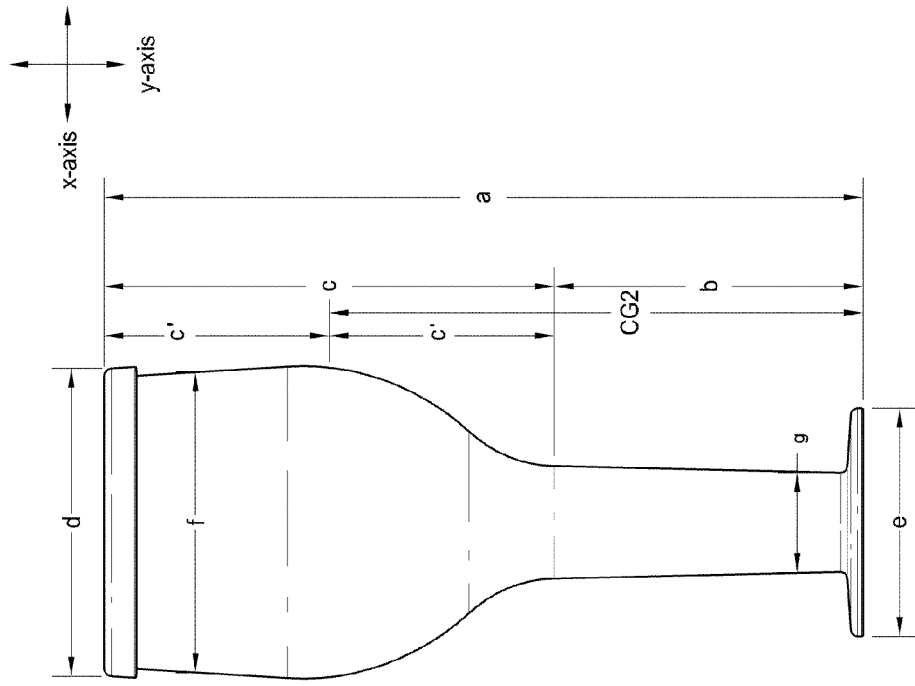


FIG. 1D

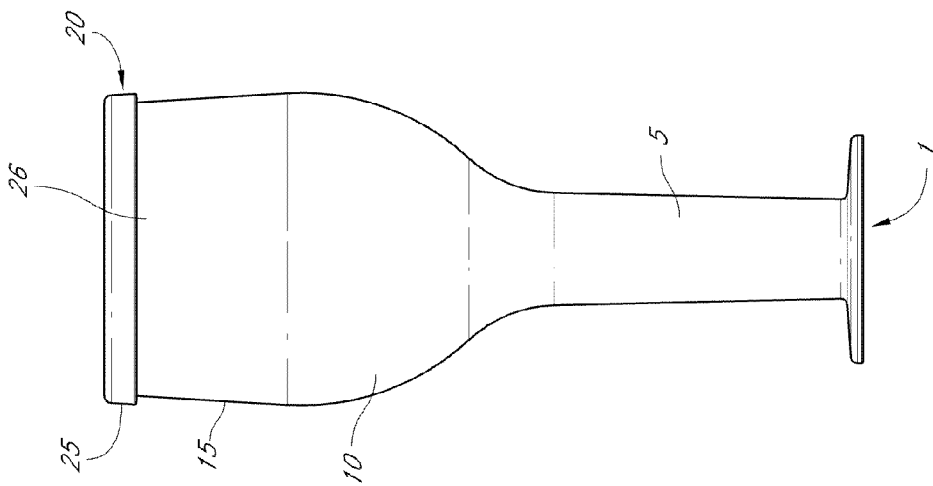


FIG. 1C

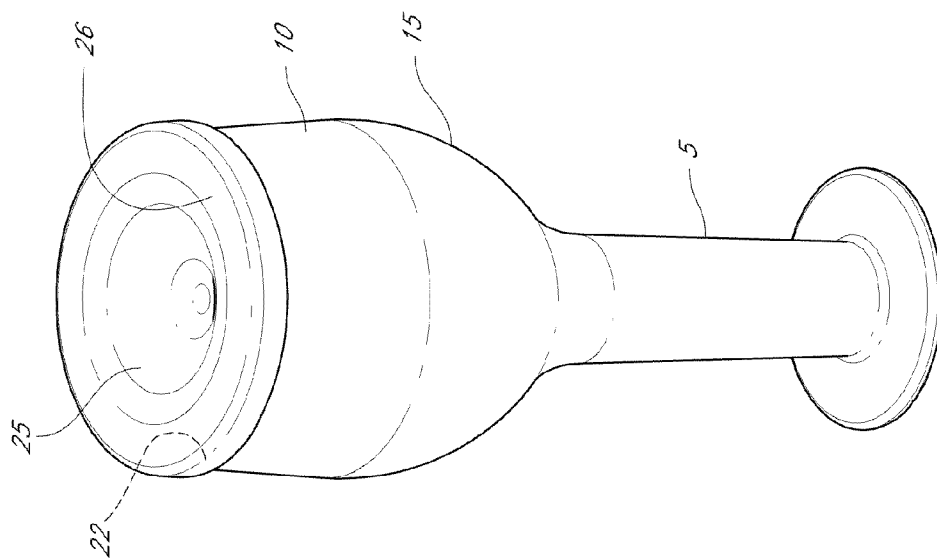


FIG. 1E

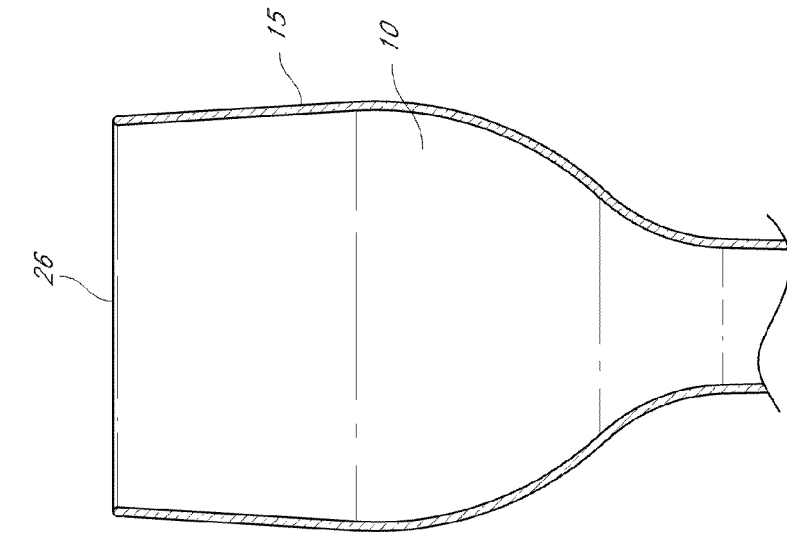


FIG. 2A

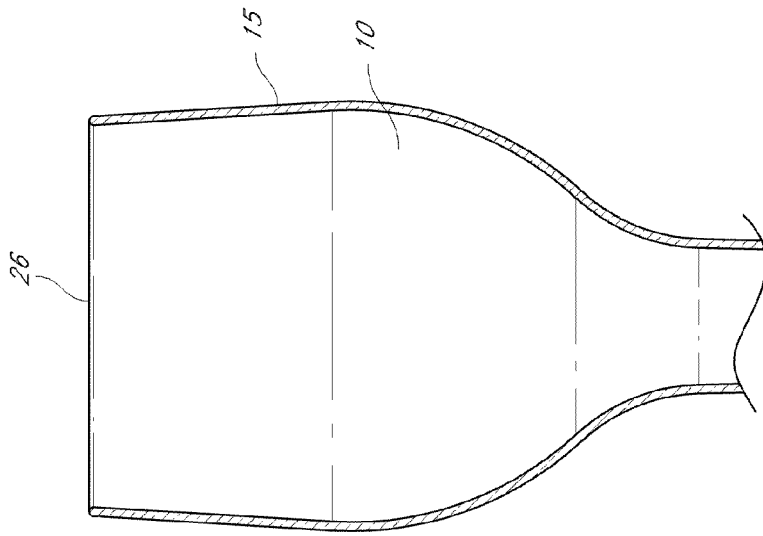


FIG. 2B

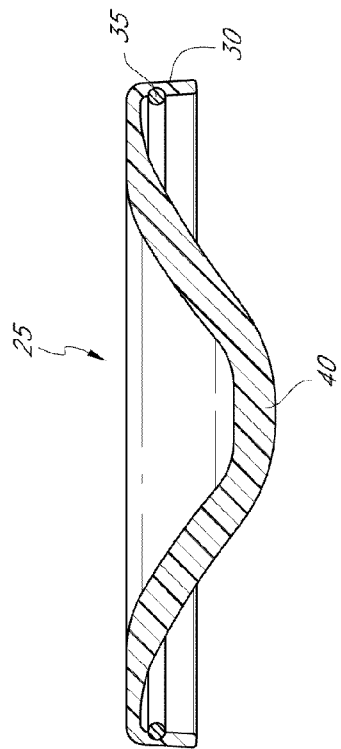


FIG. 2C

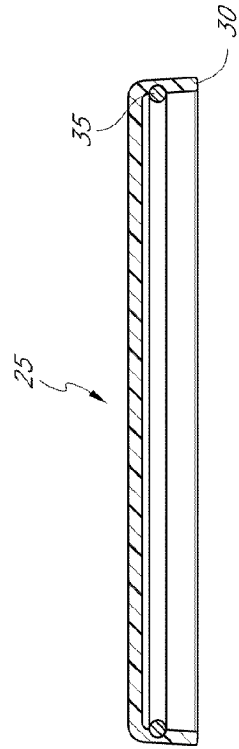


FIG. 2D

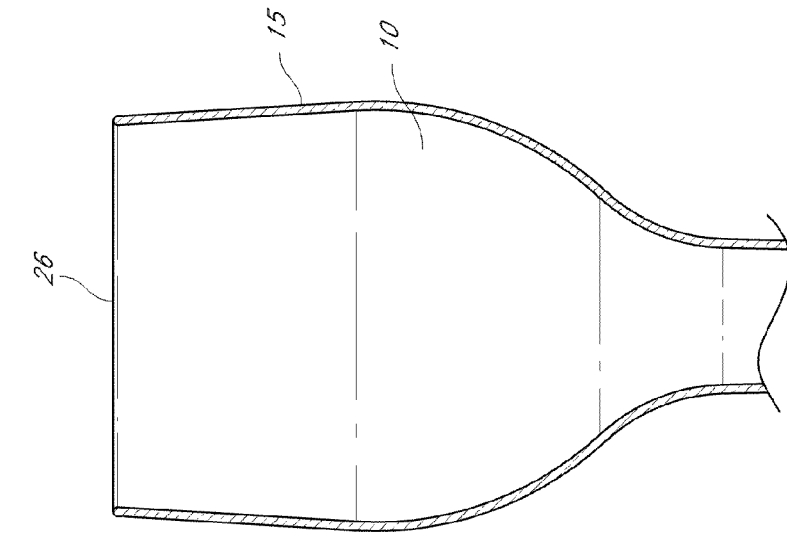


FIG. 3B

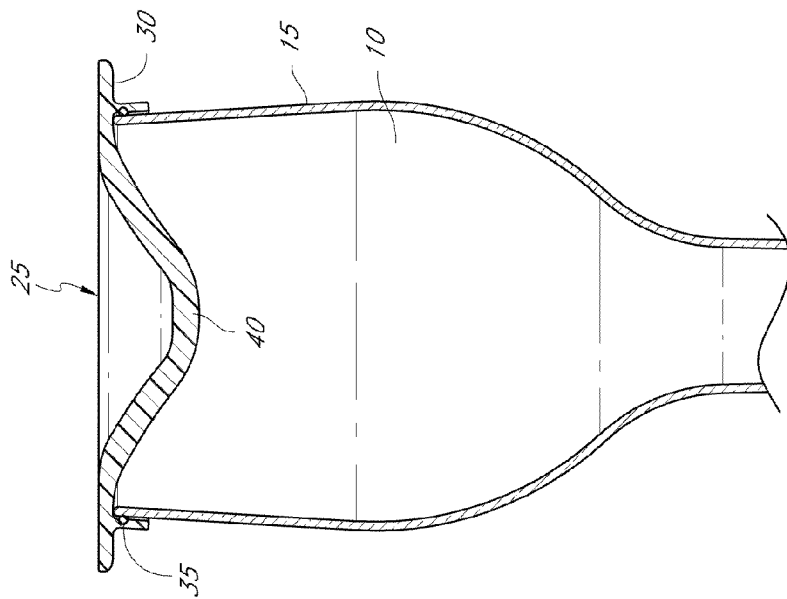


FIG. 3A

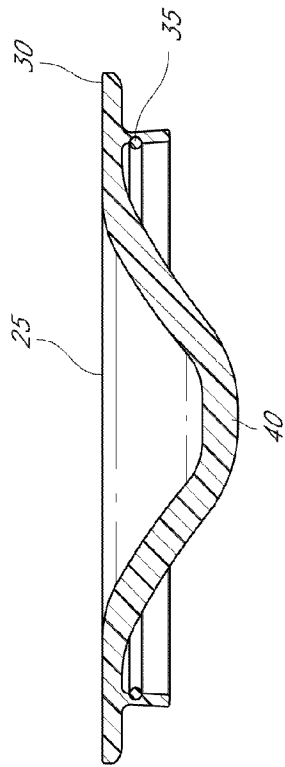


FIG. 3C

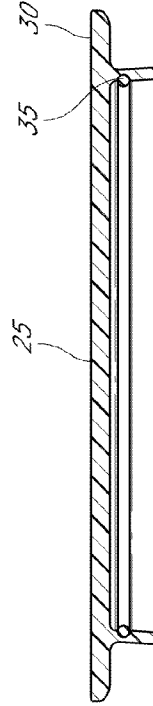


FIG. 3D

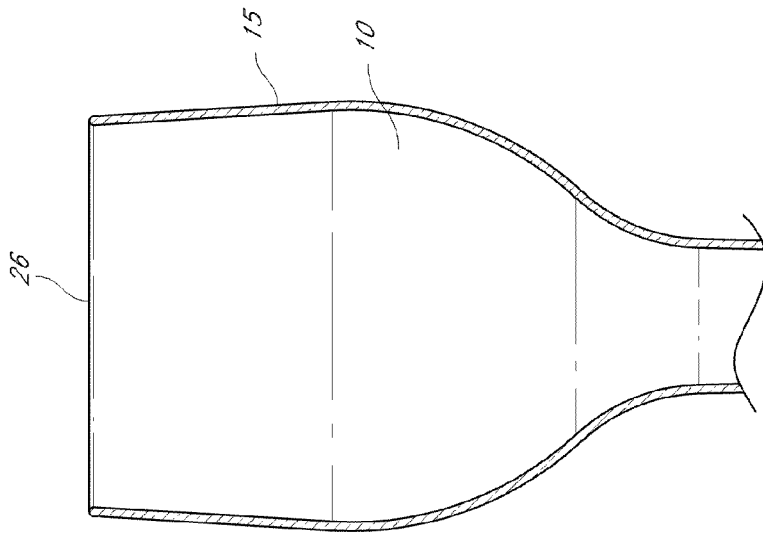


FIG. 4B

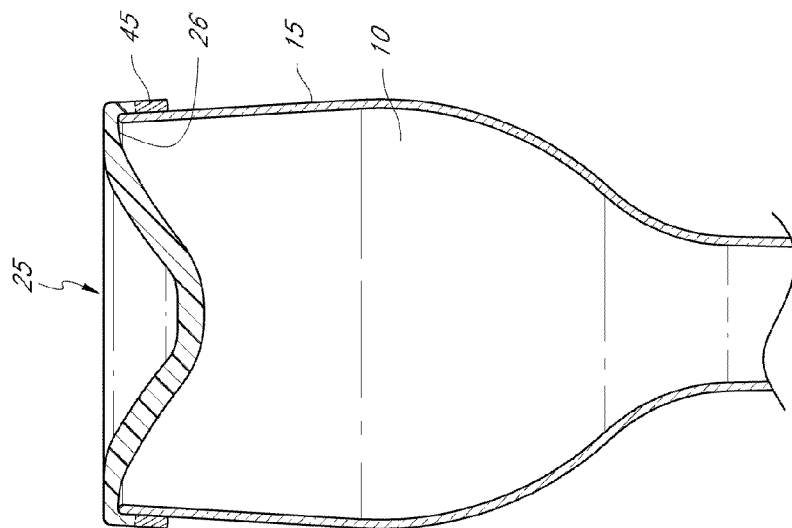


FIG. 4A

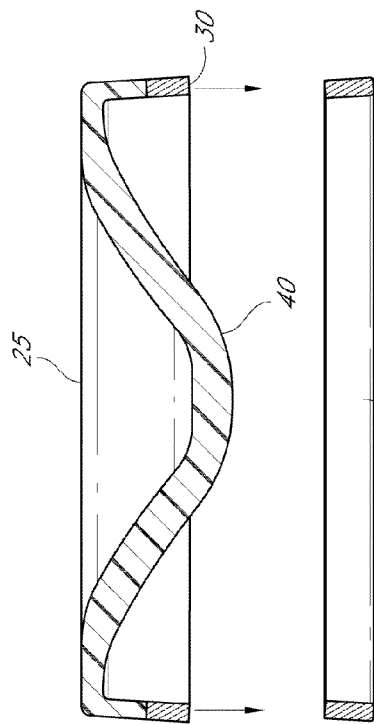


FIG. 4C

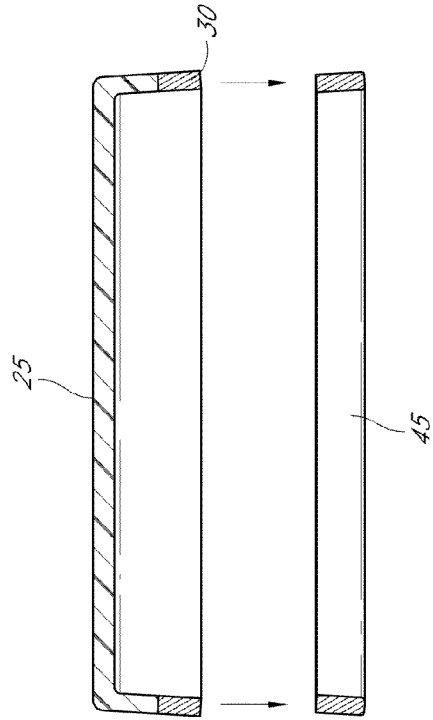


FIG. 4D

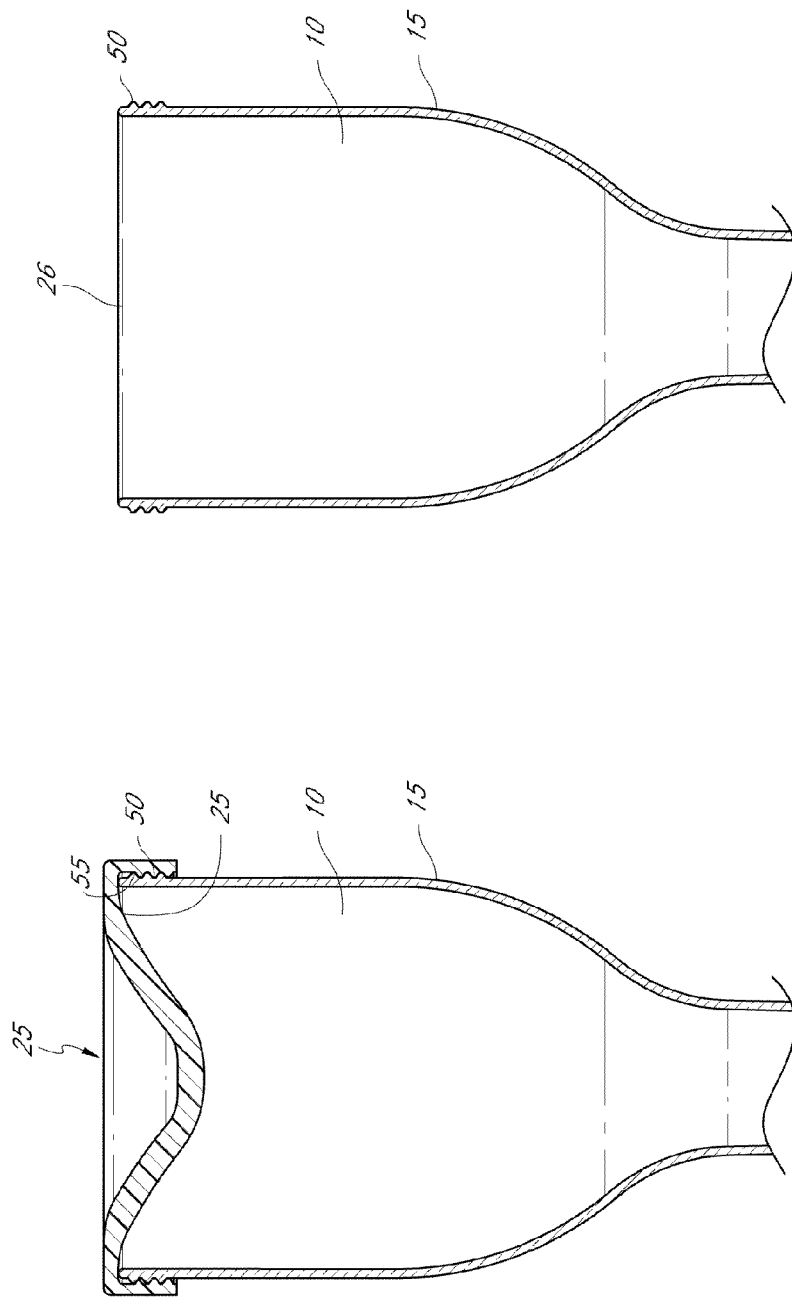


FIG. 5B

FIG. 5A

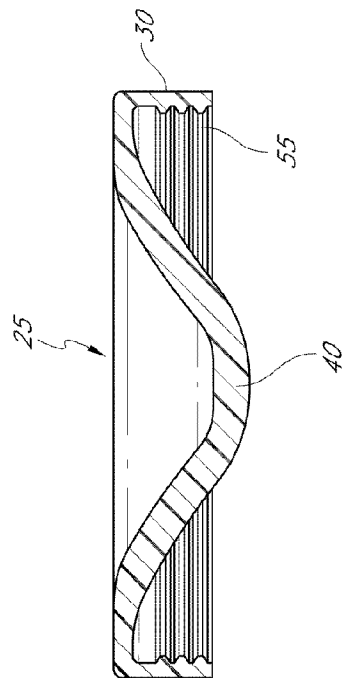


FIG. 5C

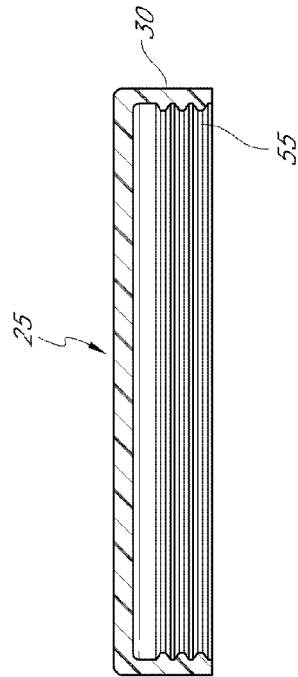


FIG. 5D

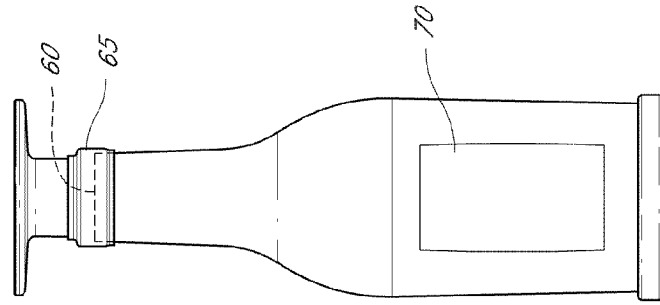


FIG. 6B

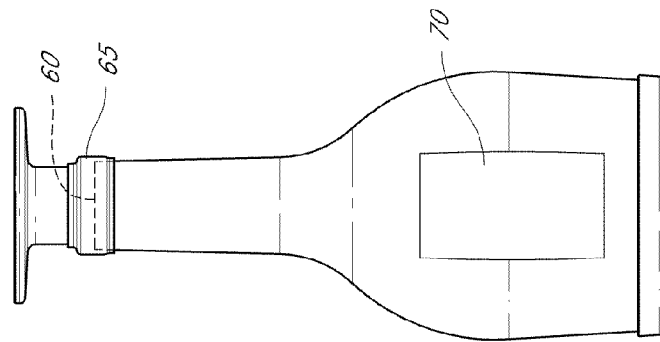


FIG. 6A

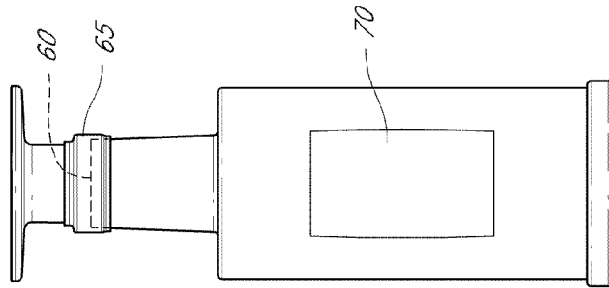


FIG. 6D

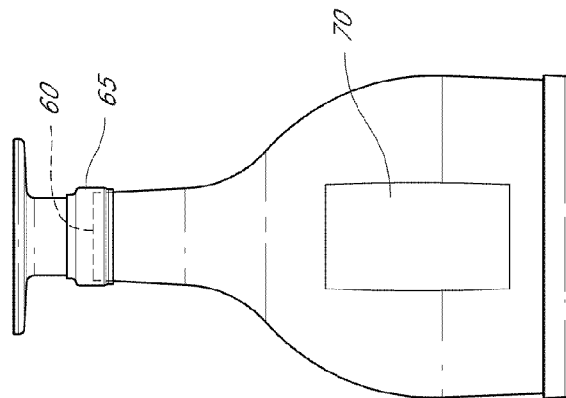


FIG. 6C

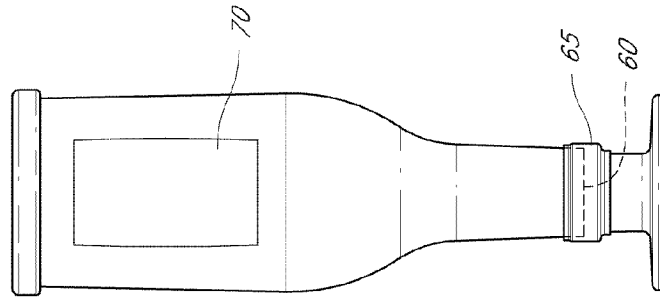


FIG. 6F

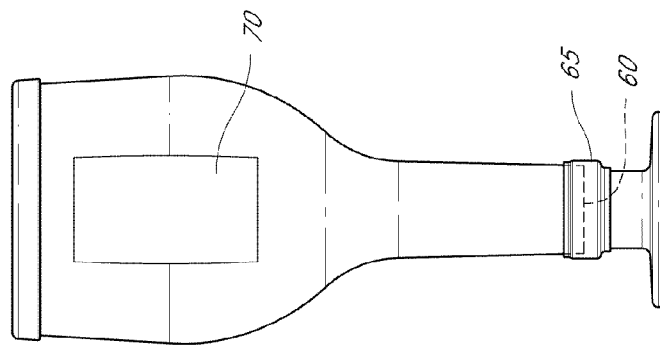


FIG. 6E

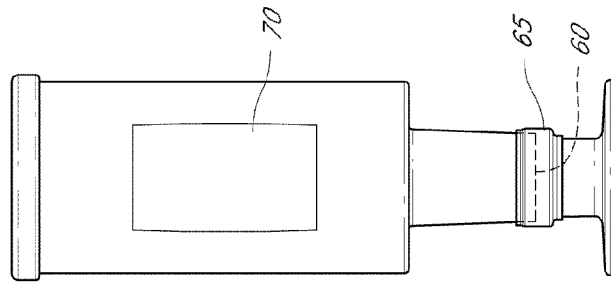


FIG. 6H

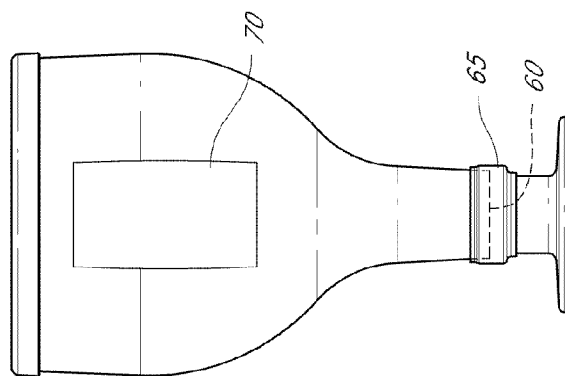


FIG. 6G

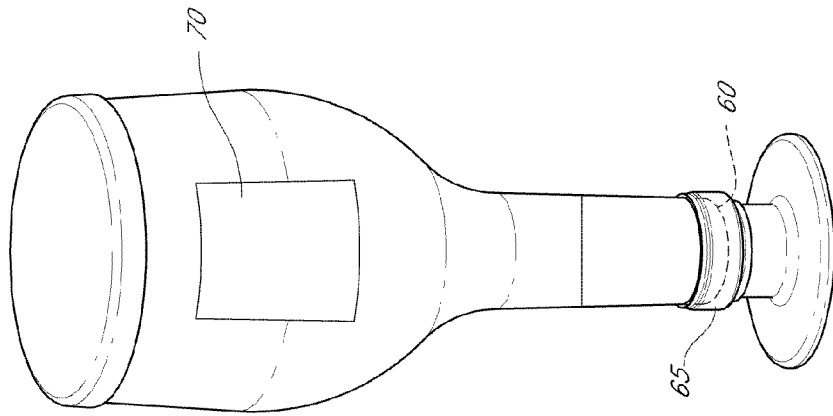


FIG. 7B

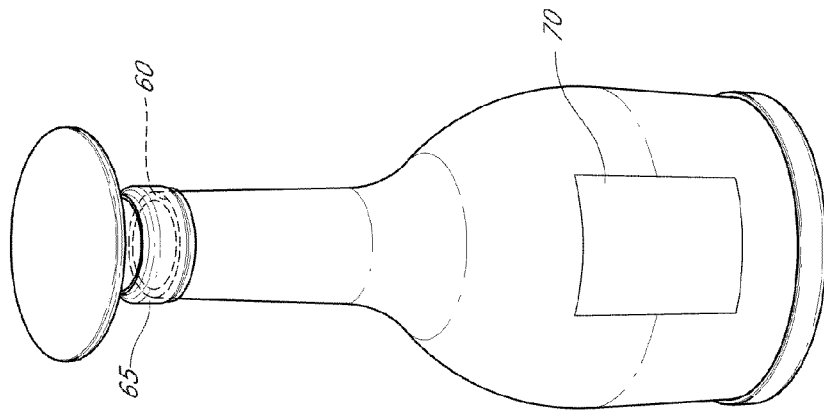


FIG. 7A