



US00D767919S

(12) **United States Design Patent**  
**Wallace**

(10) **Patent No.:** **US D767,919 S**

(45) **Date of Patent:** **\*\* Oct. 4, 2016**

(54) **HEADPHONE PILLOW SLIP COVER**

(71) Applicant: **Thomas William Wallace**, Willsonville,  
OR (US)

(72) Inventor: **Thomas William Wallace**, Willsonville,  
OR (US)

(\*\*) Term: **15 Years**

(21) Appl. No.: **29/540,057**

(22) Filed: **Sep. 21, 2015**

(51) **LOC (10) Cl.** ..... **06-09**

(52) **U.S. Cl.**  
USPC ..... **D6/601**

(58) **Field of Classification Search**  
USPC ..... D6/582-583, 587-592, 595-609,  
D6/617-622; D21/803-809; D24/183  
CPC ..... A47G 9/00; A47G 2009/001; A47G  
2009/002; A47G 2009/003; A47G 9/10;  
A47G 9/1009; A47G 2009/1018; A47G  
9/1045; A47G 9/1081; A47G 9/109  
See application file for complete search history.

(56) **References Cited**

**U.S. PATENT DOCUMENTS**

D517,698 S *	3/2006	Savage	.....	D24/200
D581,713 S *	12/2008	Berke	.....	D6/601
D629,241 S *	12/2010	Romero	.....	D6/601
D643,125 S *	8/2011	Seidel	.....	D24/184
D651,841 S *	1/2012	Nayman	.....	D6/601
D725,120 S *	3/2015	Lo	.....	D14/447
D747,899 S *	1/2016	Klein	.....	D6/601

2007/0056107 A1 *	3/2007	Gabriel	.....	A47C 7/383 5/639
2007/0253591 A1 *	11/2007	Popilek	.....	A47G 9/1045 381/388
2013/0263377 A1 *	10/2013	Wootten, Jr.	.....	A47C 23/00 5/640
2015/0351564 A1 *	12/2015	Vogel	.....	A47G 9/1081 5/640

\* cited by examiner

*Primary Examiner* — Mary Ann Calabrese

*Assistant Examiner* — Jennifer L Rempfer

(74) *Attorney, Agent, or Firm* — Mark S Hubert

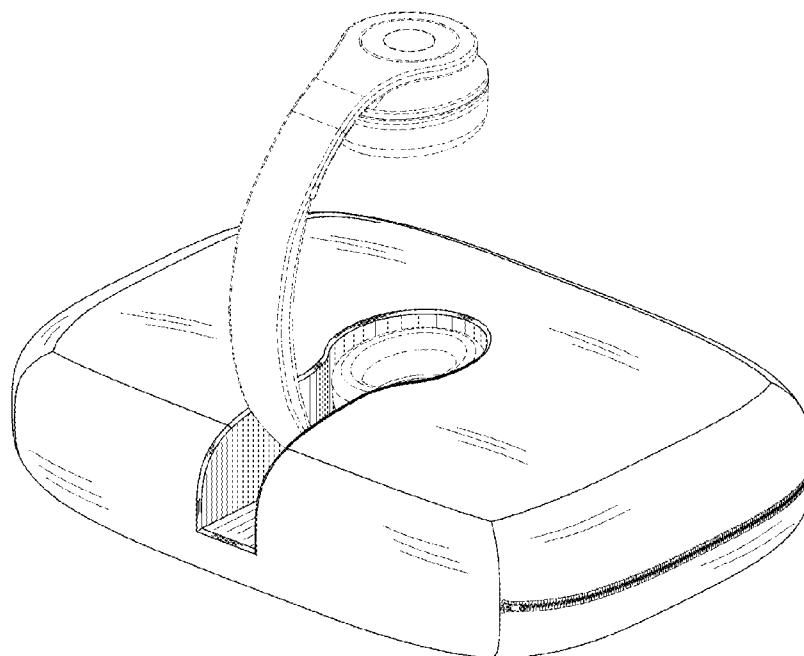
(57) **CLAIM**

I claim the ornamental design for the headphone pillow slip cover, as shown and described.

**DESCRIPTION**

FIG. 1 is a rear perspective view of the headphone pillow in use;  
FIG. 2 is a top view of the headphone pillow slip cover;  
FIG. 3 is a left-side view of the headphone pillow slip cover;  
FIG. 4 is a front view of the headphone pillow slip cover;  
FIG. 5 is a rear view of the headphone pillow slip cover;  
FIG. 6 is a bottom view of the headphone pillow slip cover;  
and,  
FIG. 7 is a front view of the headphone pillow slip cover.  
The broken line illustration of environmental structure in the drawing is not part of the design sought to be patented. As such, the over the ear stereo headphones are shown in broken lines for illustrative purposes only and forms no part of the claimed design.

**1 Claim, 3 Drawing Sheets**



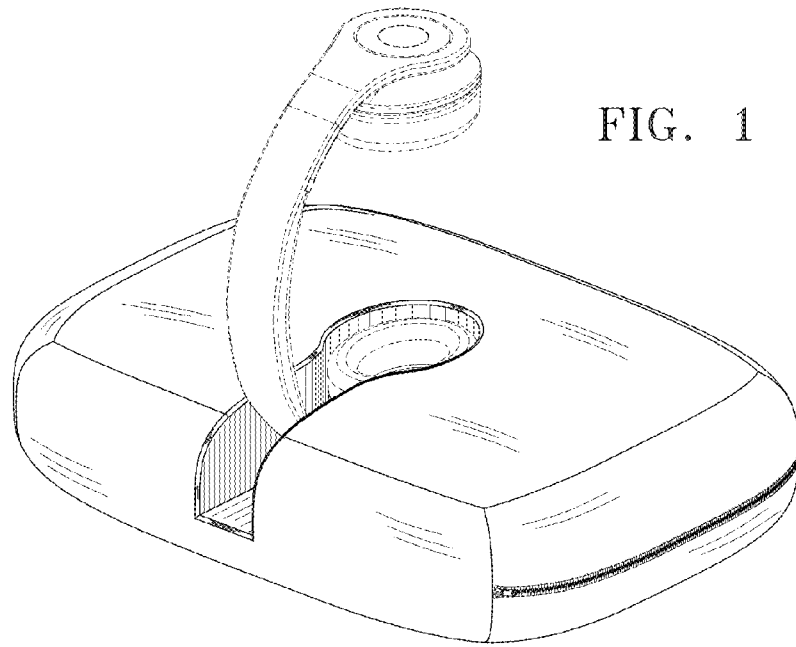


FIG. 1

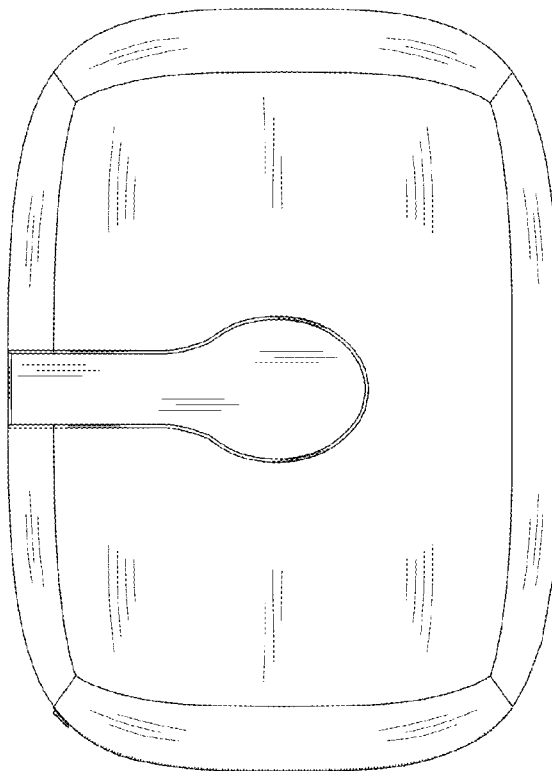


FIG. 2

FIG. 3

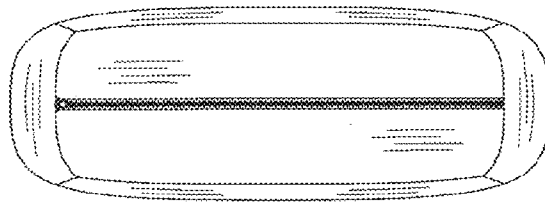


FIG. 4

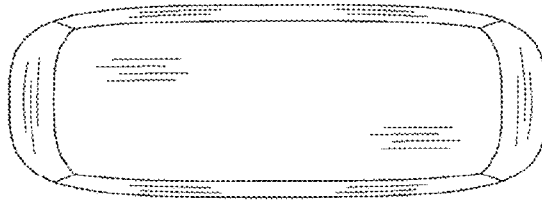


FIG. 5

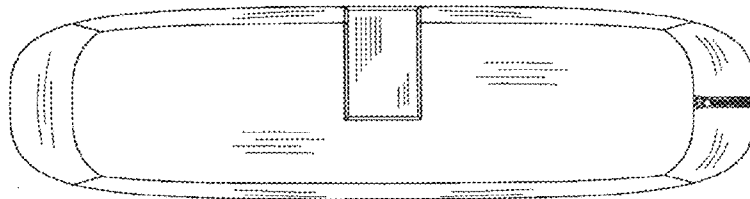


FIG. 6

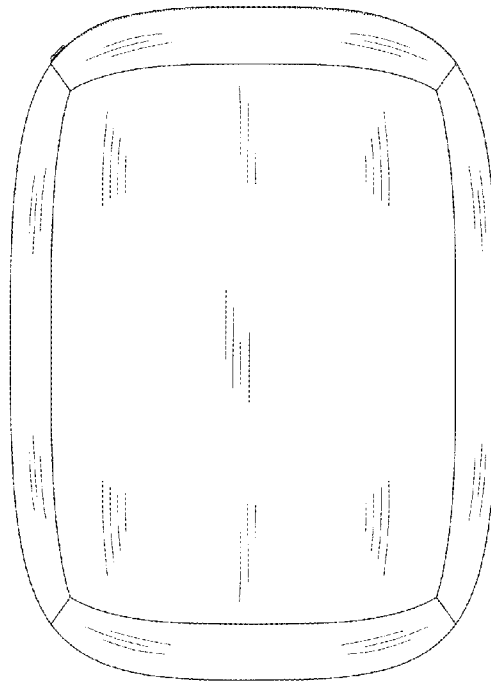


FIG. 7

