

(19) World Intellectual Property Organization
International Bureau



(43) International Publication Date
6 February 2003 (06.02.2003)

PCT

(10) International Publication Number
WO 03/010024 A3

(51) International Patent Classification⁷: **B60N 2/28**

[US/US]; 2219 Pheasant Run, Westfield, IN 46074 (US).

(21) International Application Number: PCT/US02/23744

BERENYI, Steven, T. [US/US]; 1037 W. 77th Street North Drive, Indianapolis, IN 46260 (US).

(22) International Filing Date: 26 July 2002 (26.07.2002)

(74) Agents: **MICHAEL, Jeffrey, A.** et al.; Barnes & Thornburg, 11 South Meridian Street, Indianapolis, IN 46204 (US).

(25) Filing Language: English

(26) Publication Language: English

(30) Priority Data:
60/307,899 26 July 2001 (26.07.2001) US

(81) Designated States (*national*): AE, AG, AL, AM, AT, AU, AZ, BA, BB, BG, BR, BY, BZ, CA, CH, CN, CO, CR, CU, CZ, DE, DK, DM, DZ, EC, EE, ES, FI, GB, GD, GE, GH, GM, HR, HU, ID, IL, IN, IS, JP, KE, KG, KP, KR, KZ, LC, LK, LR, LS, LT, LU, LV, MA, MD, MG, MK, MN, MW, MX, MZ, NO, NZ, OM, PH, PL, PT, RO, RU, SD, SE, SG, SI, SK, SL, TJ, TM, TN, TR, TT, TZ, UA, UG, US, UZ, VN, YU, ZA, ZM, ZW.

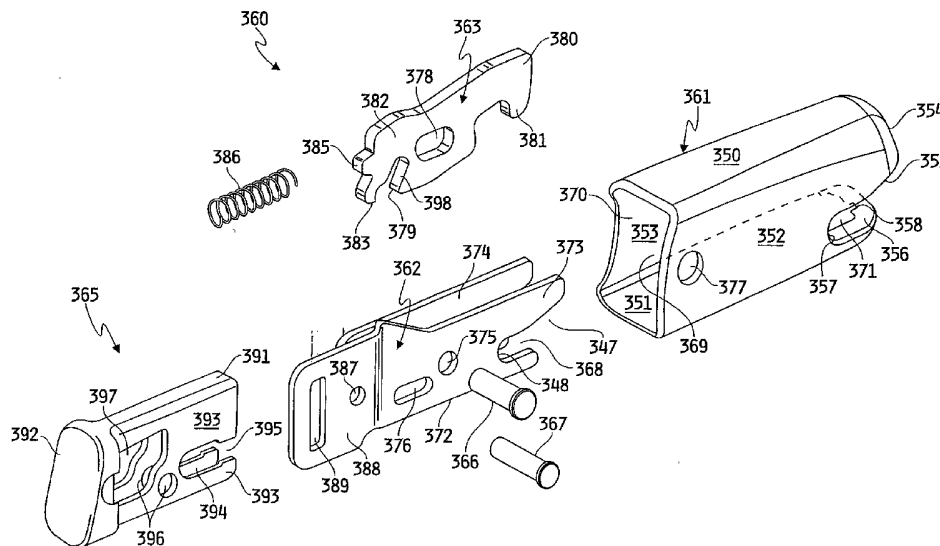
(71) Applicant (*for all designated States except US*): **INDIANA MILLS & MANUFACTURING, INC.** [US/US]; 18881 U.S. 31 North, P.O. Box 408, Westfield, IN 46074 (US).

(84) Designated States (*regional*): ARIPO patent (GH, GM, KE, LS, MW, MZ, SD, SL, SZ, TZ, UG, ZM, ZW), Eurasian patent (AM, AZ, BY, KG, KZ, MD, RU, TJ, TM), European patent (AT, BE, BG, CH, CY, CZ, DE, DK, EE, ES, FI, FR, GB, GR, IE, IT, LU, MC, NL, PT, SE, SK, TR), OAPI patent (BF, BJ, CF, CG, CI, CM, GA, GN, GQ, GW, ML, MR, NE, SN, TD, TG).

(72) Inventors; and
(75) Inventors/Applicants (*for US only*): **ANTHONY, James, T.** [US/US]; 7212 E. 161st Street, Noblesville, IN 46060 (US). **WISEMAN, Michael, A.** [US/US]; 1233 Wood-sage Drive, Avon, IN 46123 (US). **DINGMAN, Guy, R.**

[Continued on next page]

(54) Title: RESTRAINT COUPLING



(57) Abstract: A coupling (360) to attach a device such as an infant seat (20) to an anchor member (35). One version of the coupling is characterized by a frame having a mouth (373) with a seat configured to receive the anchor member (35) and a lever (363) movably mounted on the frame to hold the anchor member inside the mouth. The lever has a downwardly projecting finger (381) that blocks the mouth of the notch in the closed position and allows access to the notch when moved to the open position. The coupling may include a stop member (367) to resist movement from the closed to the open position. The coupling also may include a web adjuster (389) or other connecting device operatively disposed between the coupling (360) and the device.



WO 03/010024 A3



Published:

— *with international search report*

For two-letter codes and other abbreviations, refer to the "Guidance Notes on Codes and Abbreviations" appearing at the beginning of each regular issue of the PCT Gazette.

(88) Date of publication of the international search report:

14 August 2003

INTERNATIONAL SEARCH REPORT

International application No.

PCT/US 02/23744

Box III TEXT OF THE ABSTRACT (Continuation of item 5 of the first sheet)

A coupling (360) to attach a device such as an infant seat (20) to an anchor member (35). One version of the coupling is characterized by a frame having a mouth (373) with a seat configured to receive the anchor member (35) and a lever (363) movably mounted on the frame to hold the anchor member inside the mouth. The lever has a downwardly projecting finger (381) that blocks the mouth of the notch in the closed position and allows access to the notch when moved to the open position. The coupling may include a stop member (367) to resist movement from the closed to the open position. The coupling also may include a web adjuster (389) or other connecting device operatively disposed between the coupling (360) and the device.

INTERNATIONAL SEARCH REPORT

 International Application No
 PCT/US 02/23744

C.(Continuation) DOCUMENTS CONSIDERED TO BE RELEVANT

Category °	Citation of document, with indication, where appropriate, of the relevant passages	Relevant to claim No.
X	EP 1 059 194 A (BRITAX CHILD SAFETY INC.) 13 December 2000 (2000-12-13) abstract	1-3,5-9, 12-17
A	column 3, line 15 -column 4, line 21; figures 2,4-7	18-21, 23,27-36
X	EP 0 982 182 A (PLAY, S.A.) 1 March 2000 (2000-03-01)	1,2,5-7, 10-17
A	abstract; claims 1-7; figures 3-5	18-20, 23, 27-33,36
A	US 5 695 243 A (JAMES R. ANTHONY ET AL.) 9 December 1997 (1997-12-09) cited in the application abstract; figures 2-5,7-10	1-3,5, 7-9,18, 33-36
A	US 4 660 889 A (JAMES R. ANTHONY ET AL.) 28 April 1987 (1987-04-28) cited in the application abstract; figures 1,5	1,3
A	US 5 031 962 A (DAVID J. LEE) 16 July 1991 (1991-07-16) cited in the application abstract; figures 1,3-5	1,3

INTERNATIONAL SEARCH REPORT

Information on patent family members

International Application No

PCT/US 02/23744

Patent document cited in search report	A	Publication date	Patent family member(s)	Publication date
DE 19848231	A	19-08-1999	DE 19848231 A1 EP 0943487 A2 NO 990469 A	19-08-1999 22-09-1999 03-08-1999
EP 0619202	A	12-10-1994	AU 668277 B2 AU 5911394 A CN 1100692 A DE 69400182 D1 DE 69400182 T2 EP 0619202 A1 NZ 260213 A US 5487588 A	26-04-1996 13-10-1994 29-03-1995 20-06-1996 02-10-1996 12-10-1994 21-12-1995 30-01-1996
EP 1059194	A	13-12-2000	AU 3938400 A CA 2310904 A1 EP 1059194 A1 JP 2001030811 A US 6209957 B1	14-12-2000 10-12-2000 13-12-2000 06-02-2001 03-04-2001
EP 0982182	A	01-03-2000	ES 1041784 U1 EP 0982182 A1	01-08-1999 01-03-2000
US 5695243	A	09-12-1997	NONE	
US 4660889	A	28-04-1987	US 4679852 A	14-07-1987
US 5031962	A	16-07-1991	AU 655552 B2 AU 5307594 A AU 645066 B2 AU 7370291 A CA 2038505 A1 DE 69110173 D1 DE 69110173 T2 EP 0449772 A1 JP 4224441 A US 5160186 A US 5286090 A	22-12-1994 17-03-1994 06-01-1994 03-10-1991 28-09-1991 13-07-1995 02-11-1995 02-10-1991 13-08-1992 03-11-1992 15-02-1994