

[54] OIL COOLER

[76] Inventor: **Ramesh Dolwani**, 835 E. Walnut St.,
Carson, Calif. 90746

[**] Term: **14 Years**

[21] Appl. No.: **84,657**

[22] Filed: **Oct. 15, 1979**

[51] Int. Cl. **D15-01**

[52] U.S. Cl. **D15/5; D12/114;**
184/104 B

[58] Field of Search **D15/5; 184/104 B**

[56] **References Cited**

U.S. PATENT DOCUMENTS

D. 233,984 12/1974 Hauser D15/5
1,168,368 1/1916 Zimmerman 184/104 B
1,197,121 9/1916 Herr 184/104 B

Primary Examiner—Veronica O'Keefe
Attorney, Agent, or Firm—Fulwider, Patton, Rieber,
Lee & Utecht

[57] **CLAIM**

The ornamental design for an oil cooler, substantially as shown and described.

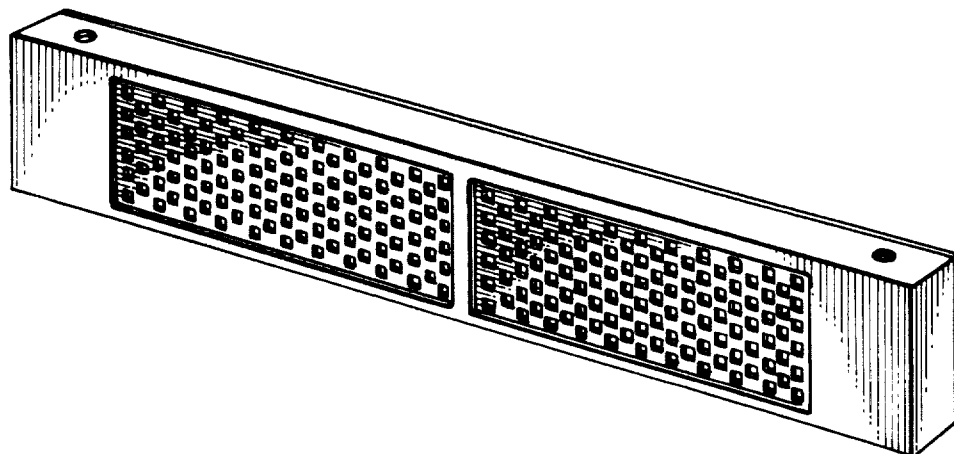
DESCRIPTION

FIG. 1 is a perspective view of an oil cooler showing my new design;

FIG. 2 is a left side elevational view thereof;

FIG. 3 is a bottom plan view thereof; and

FIG. 4 is a rear elevational view thereof.



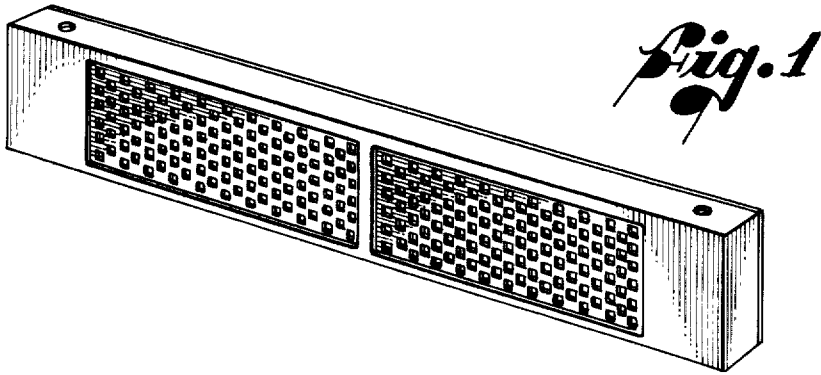


Fig. 1

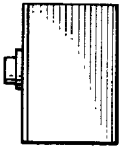


Fig. 2

Fig. 3

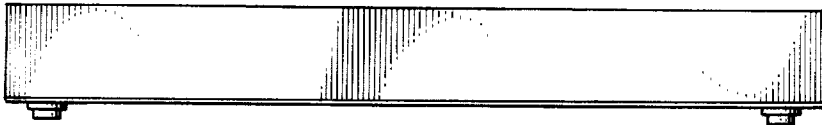


Fig. 4

