



- (51) **International Patent Classification:**
B65G 47/82 (2006.01) *B65G 17/26* (2006.01)
- (21) **International Application Number:**
PCT/IB2010/000413
- (22) **International Filing Date:**
1 March 2010 (01.03.2010)
- (25) **Filing Language:** Italian
- (26) **Publication Language:** English
- (30) **Priority Data:**
MI2009A000328 5 March 2009 (05.03.2009) IT
- (71) **Applicant (for all designated States except US):** EU-ROSICMA S.P.A. [IT/IT]; Via Arbe 27, 20125 Milano (IT).
- (72) **Inventor; and**
- (75) **Inventor/Applicant (for US only):** REDAELLI, Marco [IT/—]; Via Gramsci 16, 20060 Cassina de' Pecchi (IT).
- (74) **Agent:** FARAGGIANA, Vittorio; Barzano' & Zanardo Milano S.p.A., Via Borgonuovo 10, 20121 Milano (IT).
- (81) **Designated States (unless otherwise indicated, for every kind of national protection available):** AE, AG, AL, AM, AO, AT, AU, AZ, BA, BB, BG, BH, BR, BW, BY, BZ, CA, CH, CL, CN, CO, CR, CU, CZ, DE, DK, DM, DO,

DZ, EC, EE, EG, ES, FI, GB, GD, GE, GH, GM, GT, HN, HR, HU, ID, IL, IN, IS, JP, KE, KG, KM, KN, KP, KR, KZ, LA, LC, LK, LR, LS, LT, LU, LY, MA, MD, ME, MG, MK, MN, MW, MX, MY, MZ, NA, NG, NI, NO, NZ, OM, PE, PG, PH, PL, PT, RO, RS, RU, SC, SD, SE, SG, SK, SL, SM, ST, SV, SY, TH, TJ, TM, TN, TR, TT, TZ, UA, UG, US, UZ, VC, VN, ZA, ZM, ZW.

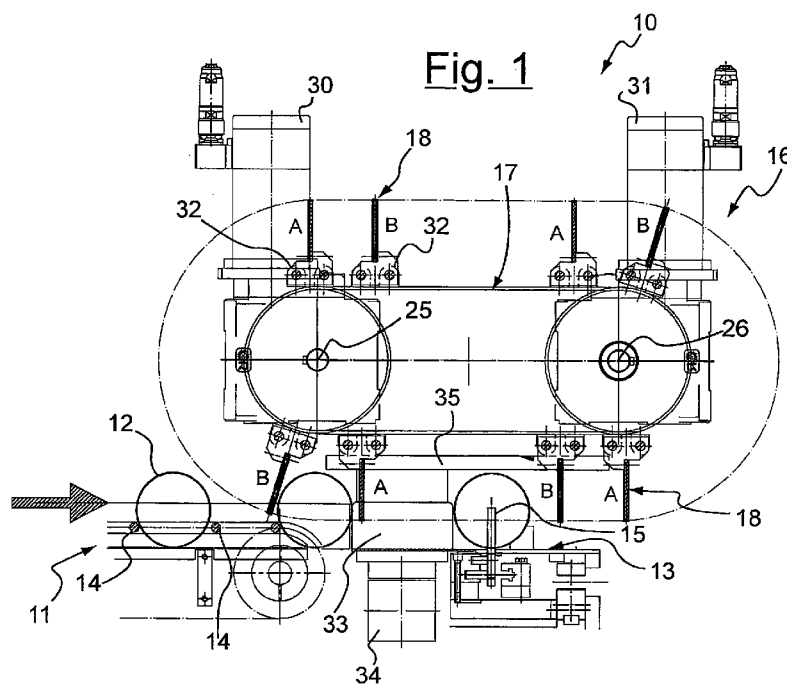
- (84) **Designated States (unless otherwise indicated, for every kind of regional protection available):** ARIPO (BW, GH, GM, KE, LS, MW, MZ, NA, SD, SL, SZ, TZ, UG, ZM, ZW), Eurasian (AM, AZ, BY, KG, KZ, MD, RU, TJ, TM), European (AT, BE, BG, CH, CY, CZ, DE, DK, EE, ES, FI, FR, GB, GR, HR, HU, IE, IS, IT, LT, LU, LV, MC, MK, MT, NL, NO, PL, PT, RO, SE, SI, SK, SM, TR), OAPI (BF, BJ, CF, CG, CI, CM, GA, GN, GQ, GW, ML, MR, NE, SN, TD, TG).

Published:

- with international search report (Art. 21(3))
- before the expiration of the time limit for amending the claims and to be republished in the event of receipt of amendments (Rule 48.2(h))

- (88) **Date of publication of the international search report:**
2 December 2010

(54) **Title:** PLANT WITH A TRANSFERRING SHUTTLE FOR FEEDING PRODUCTS TO A PACKAGING MACHINE



(57) **Abstract:** A plant for feeding groups of food products in sequence to a packaging machine comprises a first input conveyor (11) and a second output conveyor (13) between which a device (16) for the synchronized transfer of groups of products is provided. The device (16) comprises a moving unit (17) of pairs of carrying paddles. The paddles enter a transversal translation shuttle (33, 133) for the synchronization with the output conveyor.



INTERNATIONAL SEARCH REPORT

International application No
PCT/IB2010/000413

A. CLASSIFICATION OF SUBJECT MATTER
 INV. B65G47/82 B65G17/26
 ADD.

According to International Patent Classification (IPC) or to both national classification and IPC

B. FIELDS SEARCHED

Minimum documentation searched (classification system followed by classification symbols)
 B65G B65B

Documentation searched other than minimum documentation to the extent that such documents are included in the fields searched

Electronic data base consulted during the international search (name of data base and, where practical, search terms used)

EPO-Internal

C. DOCUMENTS CONSIDERED TO BE RELEVANT

Category*	Citation of document, with indication, where appropriate, of the relevant passages	Relevant to claim No.
A	EP 1 602 584 A (UHLMANN PAC SYSTEME GMBH & CO [DE]) 7 December 2005 (2005-12-07) columns 1-7; figures 1-16	1
A	GB 2 003 439 A (SIG SCHWEIZ INDUSTRIEGES) 14 March 1979 (1979-03-14) columns 1-6; figures 1-3	1
A	IE 990 852 A2 (KELLY PAUL [IE]) 28 June 2000 (2000-06-28) pages 1-9; figures 1-9	1

 Further documents are listed in the continuation of Box C.

 See patent family annex.

* Special categories of cited documents :

"A" document defining the general state of the art which is not considered to be of particular relevance

"E" earlier document but published on or after the international filing date

"L" document which may throw doubts on priority claim(s) or which is cited to establish the publication date of another citation or other special reason (as specified)

"O" document referring to an oral disclosure, use, exhibition or other means

"P" document published prior to the international filing date but later than the priority date claimed

"T" later document published after the international filing date or priority date and not in conflict with the application but cited to understand the principle or theory underlying the invention

"X" document of particular relevance; the claimed invention cannot be considered novel or cannot be considered to involve an inventive step when the document is taken alone

"Y" document of particular relevance; the claimed invention cannot be considered to involve an inventive step when the document is combined with one or more other such documents, such combination being obvious to a person skilled in the art.

"&" document member of the same patent family

Date of the actual completion of the international search

13 October 2010

Date of mailing of the international search report

22/10/2010

Name and mailing address of the ISA/

European Patent Office, P.B. 5818 Patentlaan 2
 NL - 2280 HV Rijswijk
 Tel. (+31-70) 340-2040,
 Fax: (+31-70) 340-3016

Authorized officer

Martin, Benoit

INTERNATIONAL SEARCH REPORT

Information on patent family members

International application No PCT/IB2010/000413

Patent document cited in search report	Publication date	Patent family member(s)	Publication date	
EP 1602584	A	07-12-2005	DE 102004026612 A1	05-01-2006
			JP 4044576 B2	06-02-2008
			JP 2005343698 A	15-12-2005
			SG 117612 A1	29-12-2005
			US 2005265815 A1	01-12-2005

GB 2003439	A	14-03-1979	CH 621528 A5	13-02-1981
			DE 2827864 A1	15-03-1979
			ES 471620 A1	01-02-1979
			IT 1108080 B	02-12-1985
			NL 7807309 A	02-03-1979
			US 4219112 A	26-08-1980

IE 990852	A2	28-06-2000	NONE	
