



US0D1010967S

(12) **United States Design Patent**
Cummings

(10) **Patent No.:** **US D1,010,967 S**

(45) **Date of Patent:** **** Jan. 9, 2024**

- (54) **SHOPPING CART HAND SHIELD**
- (71) Applicant: **Sharon Cummings**, Brooksville, FL (US)
- (72) Inventor: **Sharon Cummings**, Brooksville, FL (US)
- (73) Assignee: **GERM ARMOR, INC**
- (**) Term: **15 Years**
- (21) Appl. No.: **29/803,908**
- (22) Filed: **Aug. 17, 2021**

D663,991	S	*	7/2012	Anderson	D6/610
D674,646	S	*	1/2013	Valenta	D6/610
D675,857	S	*	2/2013	Eshom	D6/610
D690,243	S	*	9/2013	Fuller	D12/184
D746,531	S	*	12/2015	Barclift	D34/27
D779,688	S	*	2/2017	Gourley	D25/199
D783,315	S	*	4/2017	Gourley	D6/611
9,676,406	B1	*	6/2017	Kocurek	B62B 3/146
D813,487	S	*	3/2018	Eskridge	D34/27
D895,322	S	*	9/2020	Kim	D6/610
D911,251	S	*	2/2021	Wheeler	D12/401
11,130,514	B1	*	9/2021	Picchi	B62B 5/069
11,420,668	B2	*	8/2022	Taylor	B32B 5/26
D996,184	S	*	8/2023	Turk	D34/27
2007/0126193	A1	*	6/2007	Hess	B62B 5/06 280/33.992

(Continued)

Related U.S. Application Data

- (63) Continuation-in-part of application No. 16/865,291, filed on May 1, 2020, now abandoned, which is a continuation-in-part of application No. 15/898,624, filed on Feb. 18, 2018, now abandoned.
- (51) **LOC (14) Cl.** **12-02**
- (52) **U.S. Cl.** **D34/27**
USPC **D34/27**
- (58) **Field of Classification Search**
USPC D34/27; D6/610, 611; D8/322
CPC ... B62B 3/1452; B62B 3/1436; B62B 3/1448;
B62B 5/069; B62B 5/082; B62B 5/0013
See application file for complete search history.

References Cited

U.S. PATENT DOCUMENTS

5,427,392	A	*	6/1995	Duer	B62B 5/06 D34/27
D416,368	S	*	11/1999	Brewer	D34/27
6,143,392	A	*	11/2000	Hughes	B05B 12/24 118/505
D496,322	S	*	9/2004	Farney	D12/401
D530,245	S	*	10/2006	Pettinato	D12/133

Primary Examiner — Cynthia Ramirez

(74) *Attorney, Agent, or Firm* — GUGLIOTTA & GUGLIOTTA LPA

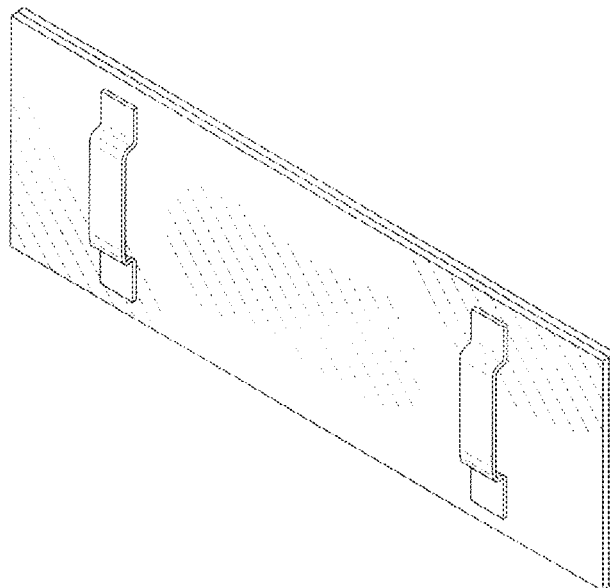
(57) **CLAIM**

The ornamental design for a shopping cart hand shield, as shown and described.

DESCRIPTION

FIG. 1 is a perspective view of a shopping cart hand shield showing my new design;
 FIG. 2 is a front elevational view thereof;
 FIG. 3 is a rear elevational view thereof;
 FIG. 4 is a top plan view thereof, the bottom plan view being a mirror image;
 FIG. 5 is a right side elevational view thereof, the left side elevational view being a mirror image;
 FIG. 6 is perspective view shown in use covering a gripping handle; and,
 FIG. 7 is perspective view shown in a folded configuration.
 The dashed lines shown in the Figures depict an environmental structure and form no part of the claimed design.

1 Claim, 3 Drawing Sheets



(56)

References Cited

U.S. PATENT DOCUMENTS

2011/0148056 A1* 6/2011 Niernberger B62B 5/069
280/33.992
2022/0348245 A1* 11/2022 Kitt A61L 2/238
2022/0379944 A1* 12/2022 Bernal B62B 5/069

* cited by examiner

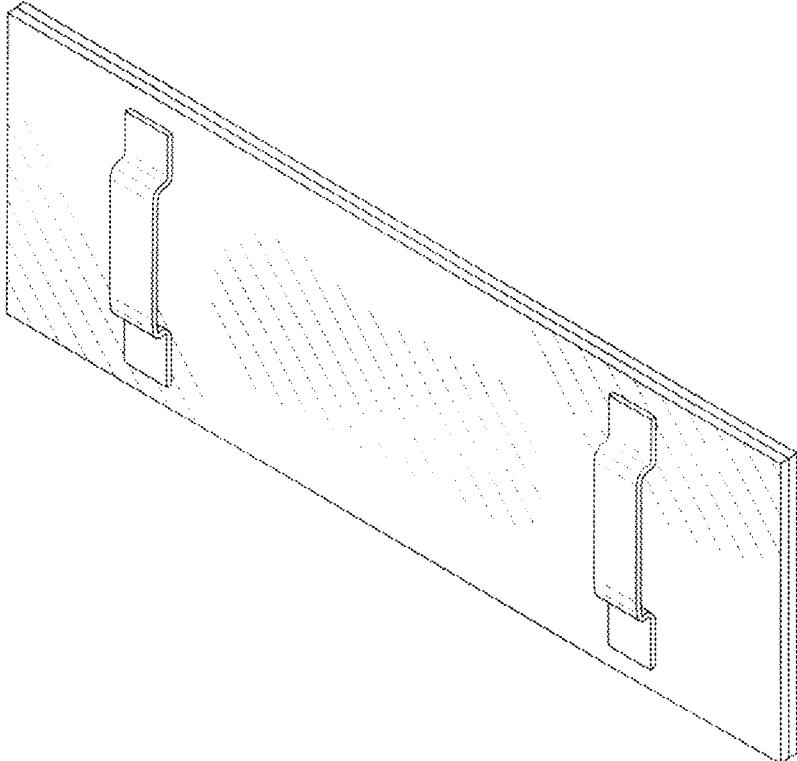


FIG. 1

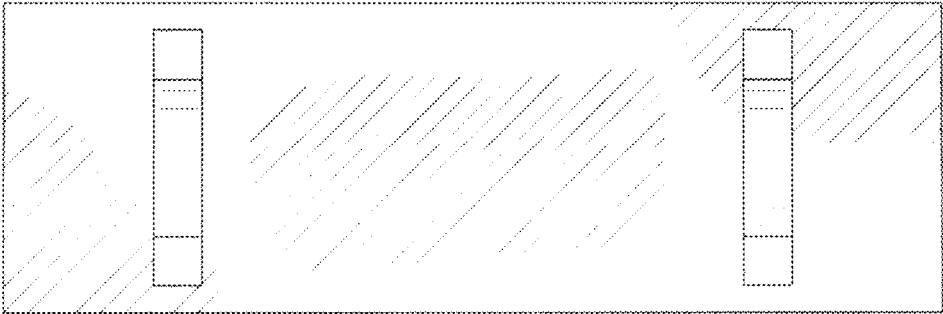


FIG. 2

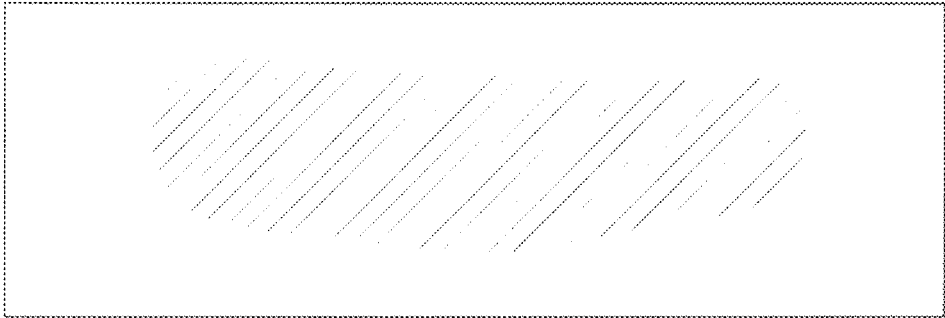


FIG. 3

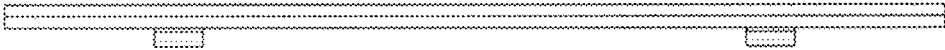


FIG. 4



FIG. 5

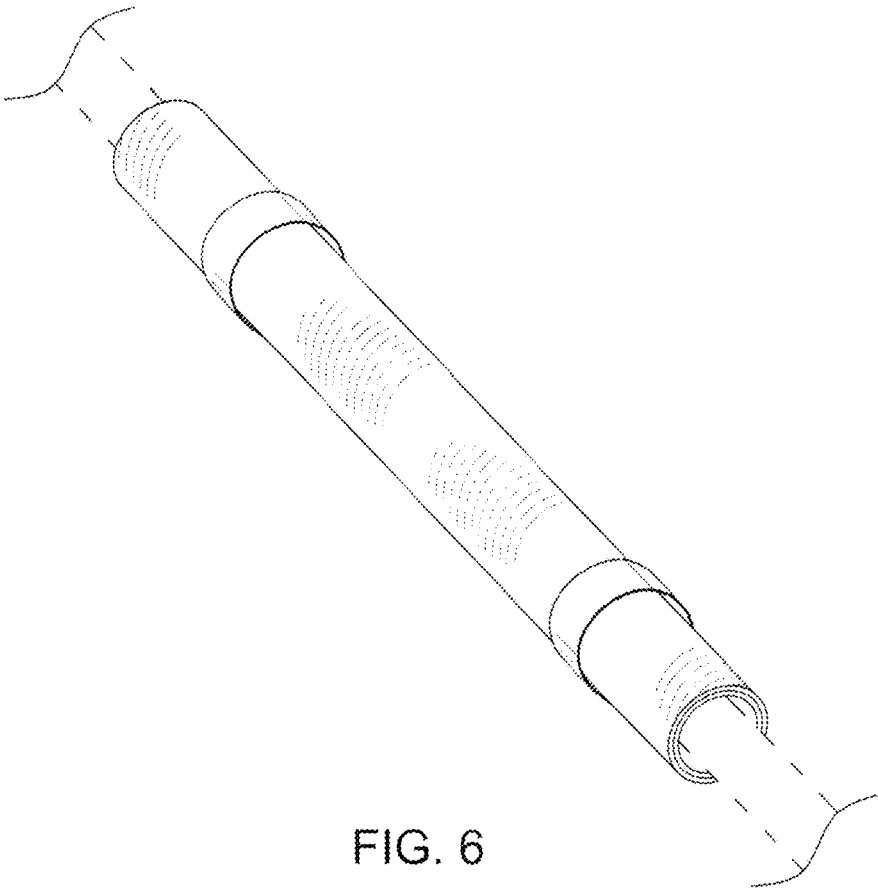


FIG. 6

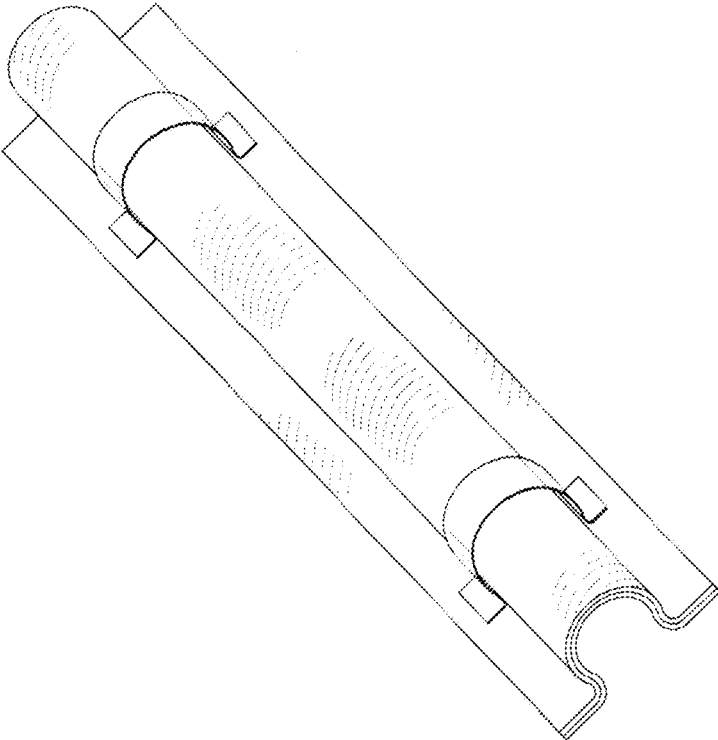


FIG. 7