



US00D764834S

(12) **United States Design Patent** (10) **Patent No.:** **US D764,834 S**
Citterio (45) **Date of Patent:** **** Aug. 30, 2016**

(54) **SHELF**
(71) Applicant: **HANSGROHE SE**, Schiltach (DE)
(72) Inventor: **Antonio Citterio**, Milan (IT)
(73) Assignee: **Hansgrohe SE**, Schiltach (DE)
(**) Term: **14 Years**
(21) Appl. No.: **29/491,884**
(22) Filed: **May 27, 2014**

D546,611 S * 7/2007 Bouroullec D6/574
D572,056 S * 7/2008 McConnell D6/574
D598,228 S * 8/2009 West D6/574
D690,533 S * 10/2013 Majcher D6/574
D724,876 S * 3/2015 Gokhale D6/705

FOREIGN PATENT DOCUMENTS

EM 000324223-0003 4/2005
EM 000324223-0004 4/2005
EM 000887740-0006 2/2008
EM 000887740-0009 2/2008
EM 001200117-0001 3/2010
EM 002013425-0006 3/2012
EM 001336812-0007 7/2012

* cited by examiner

(30) **Foreign Application Priority Data**

Dec. 3, 2013 (EM) 001391742-0008

(51) **LOC (10) Cl.** **06-04**

(52) **U.S. Cl.** **D6/574**
USPC

(58) **Field of Classification Search**
USPC D6/574, 320-324; D7/698; D2/672;
D26/72; 108/28-29, 152; 211/13.1, 42,
211/86.01, 88.01, 90.01, 90.03, 126.1, 134,
211/153; 248/205.3, 235, 243, 247, 250
CPC .. A47B 43/00; A47B 43/04; A47B 47/0066;
A47B 47/04; A47B 63/00; A47B 69/00;
A47B 71/00

See application file for complete search history.

Primary Examiner — Wan Laymon

Assistant Examiner — Mark Booker

(74) *Attorney, Agent, or Firm* — Lora J. Graentzdoerfler

(57) **CLAIM**

The ornamental design for a shelf, as shown and described.

DESCRIPTION

FIG. 1 is a perspective view of a shelf showing my design;
FIG. 2 is a front elevational view;
FIG. 3 is a rear elevational view;
FIG. 4 is a left side elevational view;
FIG. 5 is a right side elevational view;
FIG. 6 is a top plan view; and,
FIG. 7 is a bottom plan view.

The broken lines in the drawings represent unclaimed portions of the design and form no part of the claimed design.

1 Claim, 7 Drawing Sheets

(56) **References Cited**

U.S. PATENT DOCUMENTS

D328,680 S * 8/1992 Zapf D6/707.19
D383,339 S * 9/1997 Grosfillex D6/705.7
D512,867 S * 12/2005 Gates D6/574
D541,563 S * 5/2007 LaBonia, Jr. D6/705

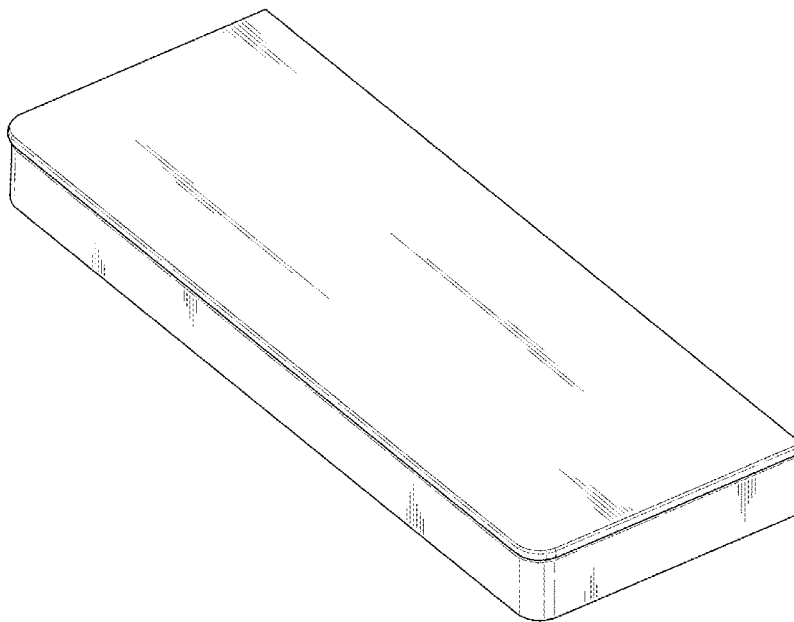


FIG. 1

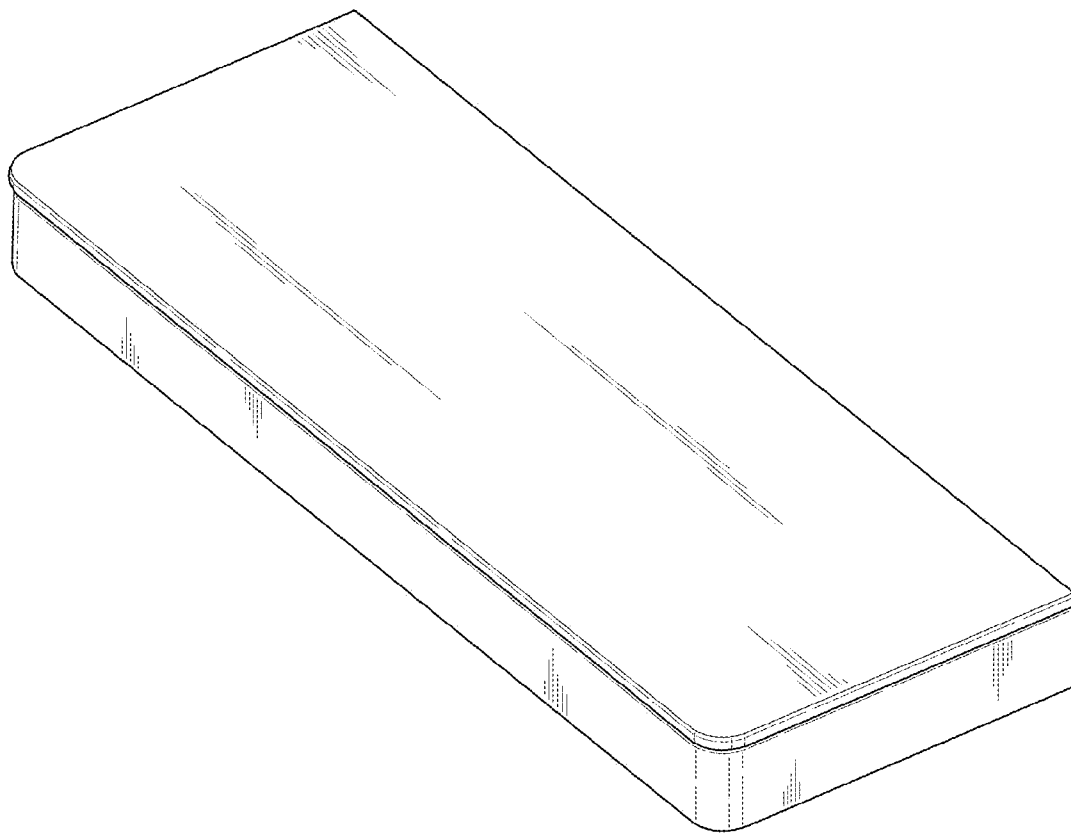


FIG. 2

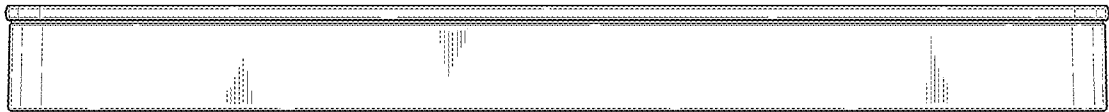


FIG. 3

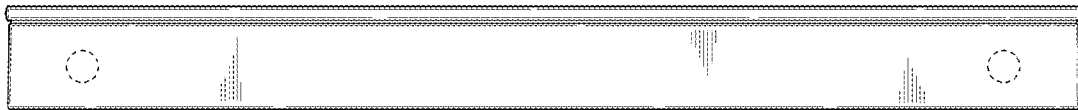


FIG. 4

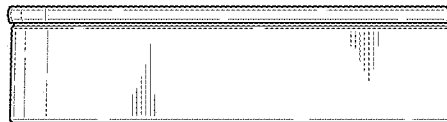


FIG. 5

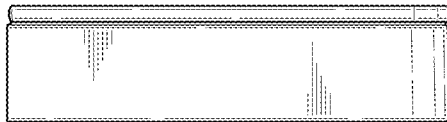


FIG. 6

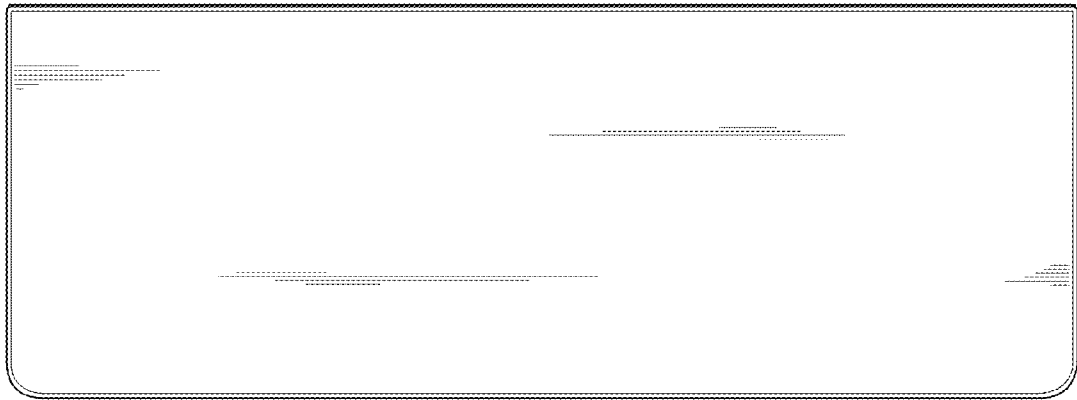


FIG. 7

