



US00D413702S

United States Patent [19]

[11] Patent Number: **Des. 413,702**

Essary

[45] Date of Patent: **** Sep. 7, 1999**

[54] **CRATE ASSEMBLY FOR PALLETS**

4,773,547	9/1988	Bell	211/194
5,242,255	9/1993	Gleffe et al.	108/53.1 X
5,507,237	4/1996	Barrow et al.	108/56.1 X

[76] Inventor: **Mark S. Essary**, P.O. Box 1588, Laurel, Miss. 39441

[**] Term: **14 Years**

Primary Examiner—Susan J. Lucas
Assistant Examiner—Cynthia E. Ramirez
Attorney, Agent, or Firm—Townsend and Townsend and Crew LLP

[21] Appl. No.: **29/088,361**

[22] Filed: **May 21, 1998**

[57] CLAIM

[51] **LOC (6) Cl.** **09-08**

The ornamental design for a crate assembly for pallets, as shown and described.

[52] **U.S. Cl.** **D34/38**

[58] **Field of Search** D34/38; 211/188, 211/186, 194; 108/56.3, 53.1, 52.1, 56.1, 51.1

DESCRIPTION

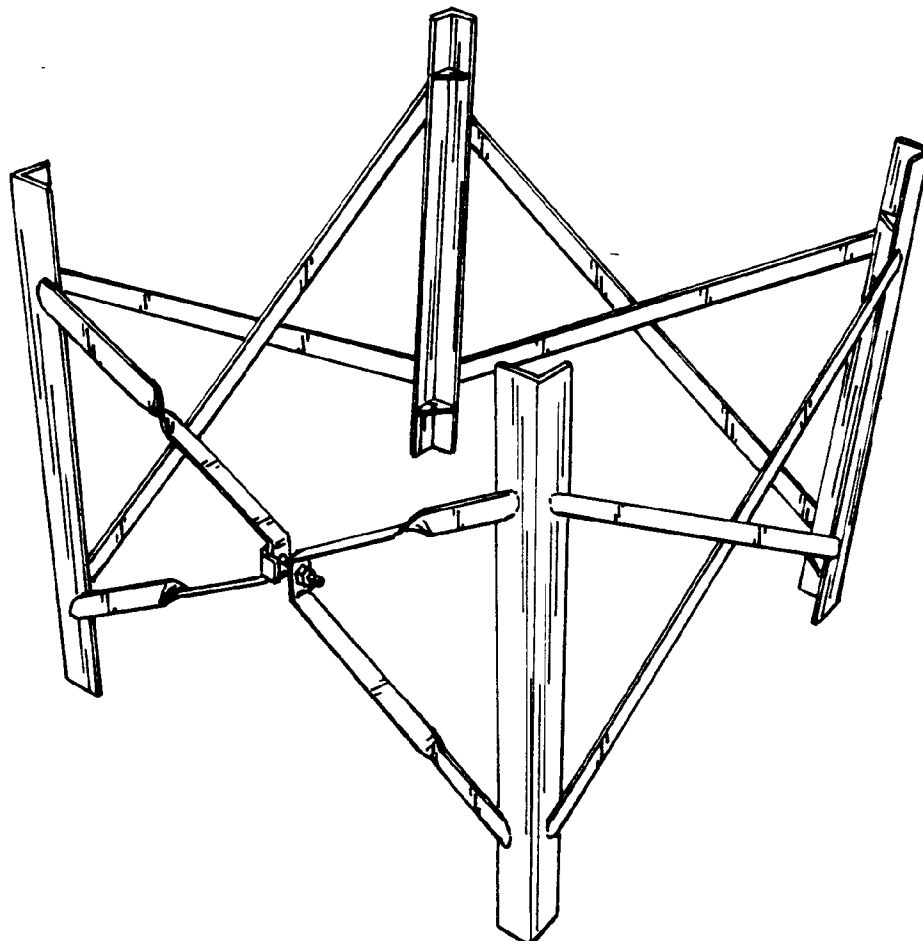
[56] References Cited

U.S. PATENT DOCUMENTS

2,870,980	1/1959	Higgins et al.	108/53.1
3,140,673	7/1964	Williams	211/188
3,485,381	12/1969	Grubb et al.	211/186
3,894,634	7/1975	Gotham et al.	211/186
3,994,241	11/1976	Evans	108/53.1
4,349,213	9/1982	Hirsch	211/186 X
4,703,702	11/1987	Speicher	108/56.3
4,757,769	7/1988	Suttles	211/188 X

FIG. 1 is a front perspective view of the crate assembly for pallets;
FIG. 2 is a rear perspective view of the crate assembly for pallets;
FIG. 3 is a top plan view thereof;
FIG. 4 is a front elevational view thereof;
FIG. 5 is a right side elevational view thereof;
FIG. 6 is a left elevational view thereof;
FIG. 7 is a rear elevational view thereof; and,
FIG. 8 is a bottom plan view thereof.

1 Claim, 4 Drawing Sheets



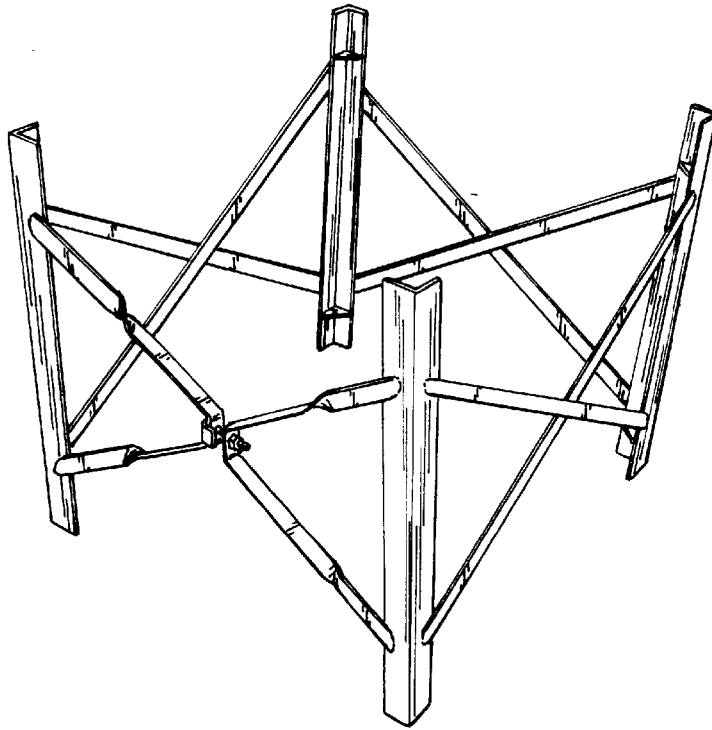


FIG. 1.

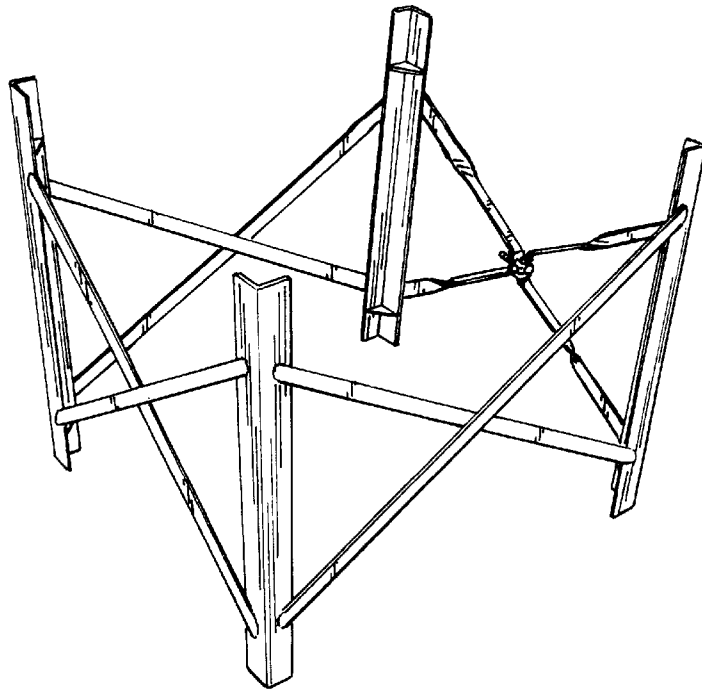


FIG. 2.

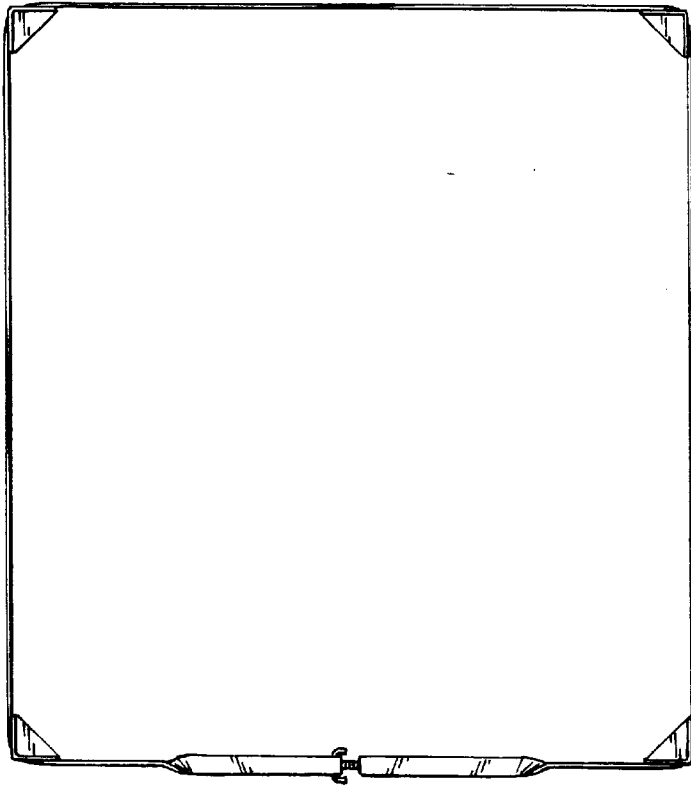


FIG. 3.

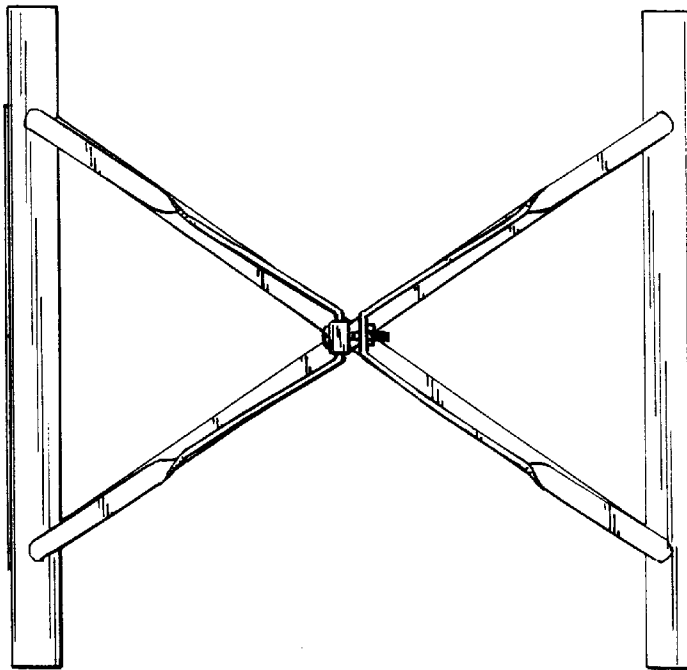


FIG. 4.

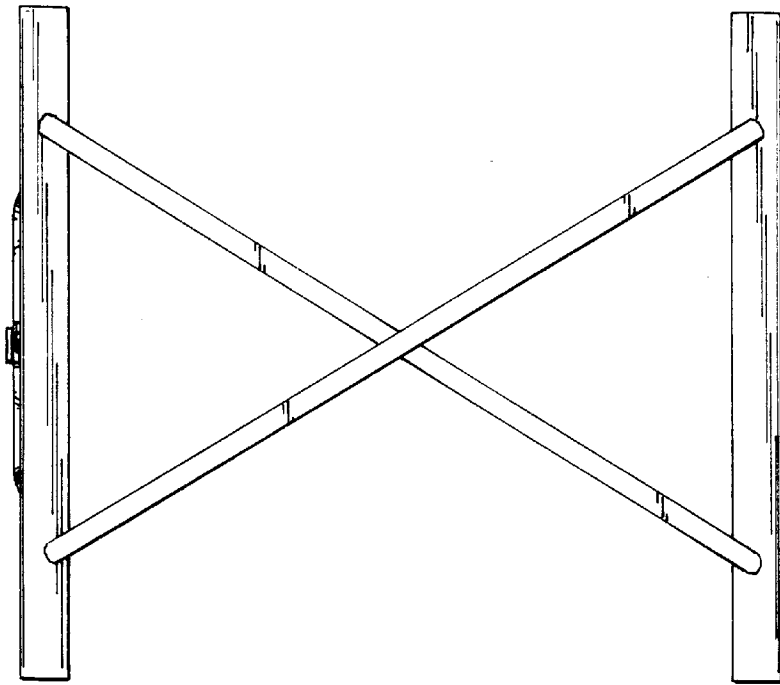


FIG. 5.

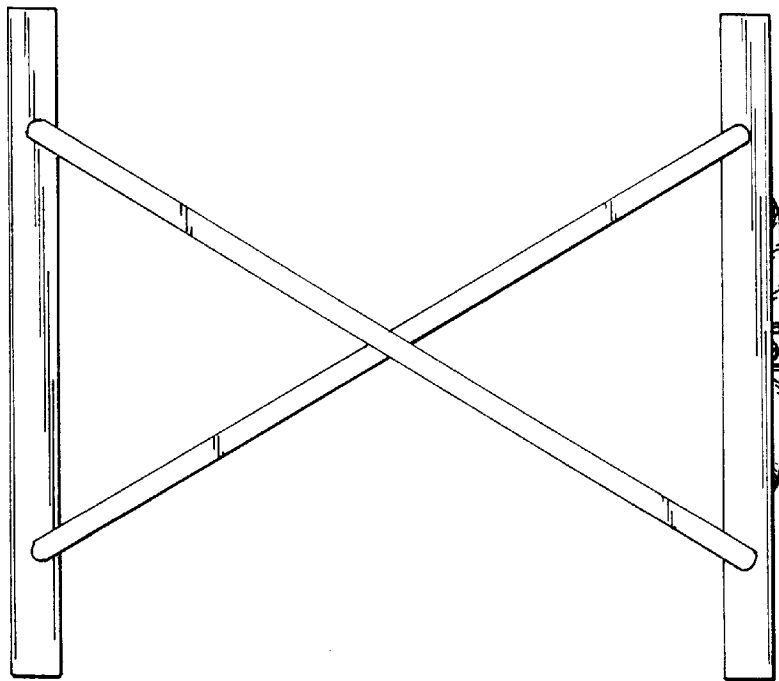


FIG. 6.

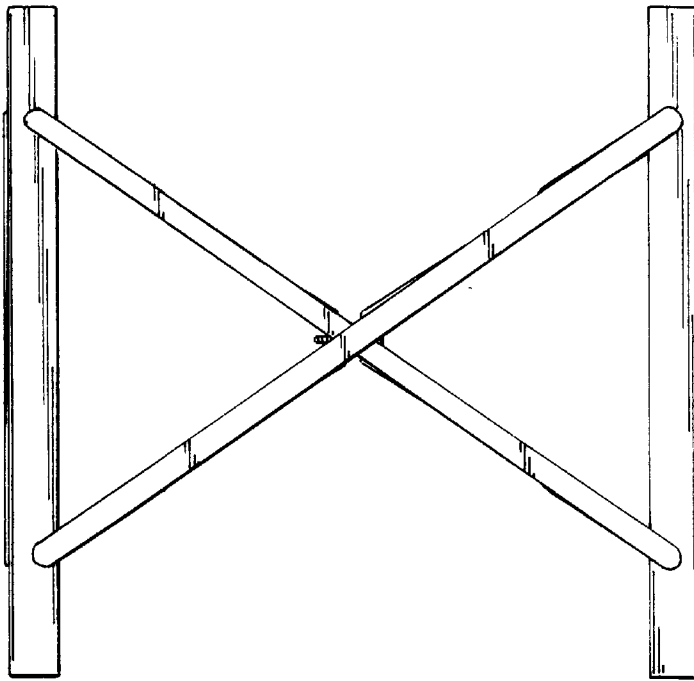


FIG. 7.

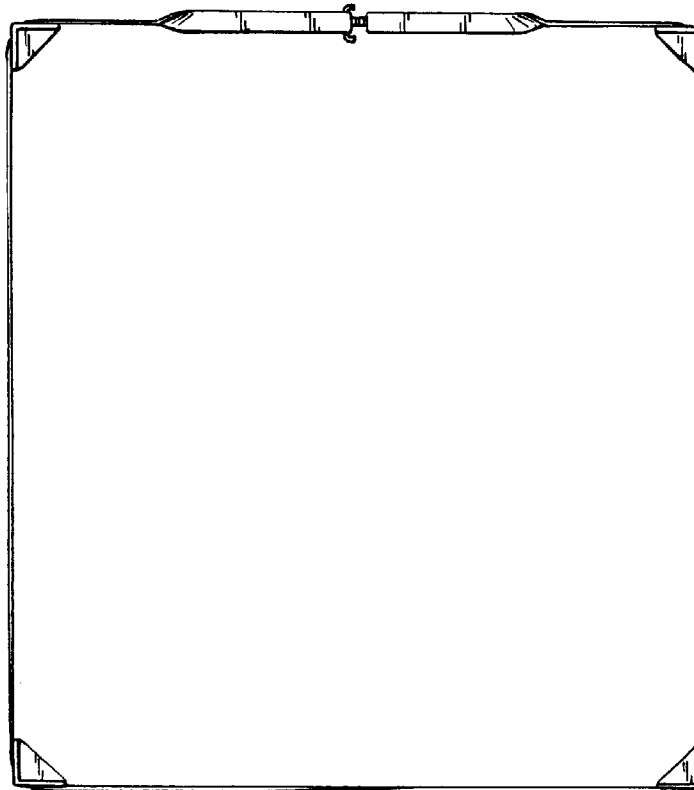


FIG. 8.