

United States Patent [19]

Rossio et al.

[11] Patent Number: Des. 313,147

[45] Date of Patent: ** Dec. 25, 1990

- [54] ESPRESSO COFFEE MACHINE
- [75] Inventors: **Bruno Rossio**, Milan; **Giuseppe Bossi**, Legnano; **Francesco Roggero**, Milan, all of Italy
- [73] Assignee: **Rancilio Macchine Per Caffè S.p.A.**, Milan, Italy
- [**] Term: **14 Years**
- [21] Appl. No.: **193,271**
- [22] Filed: **May 11, 1988**

- [30] **Foreign Application Priority Data**
Dec. 3, 1987 [IT] Italy 22828/87[U]
- [52] U.S. Cl. **D7/309**
- [58] Field of Search D7/309, 305, 300, 312, D7/310

- [56] **References Cited**
U.S. PATENT DOCUMENTS
D. 288,398 2/1987 Rossio et al. D7/309
D. 296,972 8/1988 Roccio D7/309

D. 299,998 2/1989 Seiffert D7/309

OTHER PUBLICATIONS

Schöner Wohnen, Oct. 1984, p. 112, Espresso and Cappuccino Machine, top right-Poccino.

Primary Examiner—Winifred E. Herrmann
Attorney, Agent, or Firm—Wenderoth, Lind & Ponack

[57] CLAIM

The ornamental design for an espresso coffee machine, as shown and described.

DESCRIPTION

FIG. 1 is a top, front, and right side perspective view of an espresso coffee machine showing our new design; FIG. 2 is a front elevational view thereof; FIG. 3 is a rear elevational view thereof; FIG. 4 is an elevational view from the right side thereof; FIG. 5 is a top plan view thereof; FIG. 6 is an elevational view from the left side thereof; and FIG. 7 is a bottom plan view thereof.

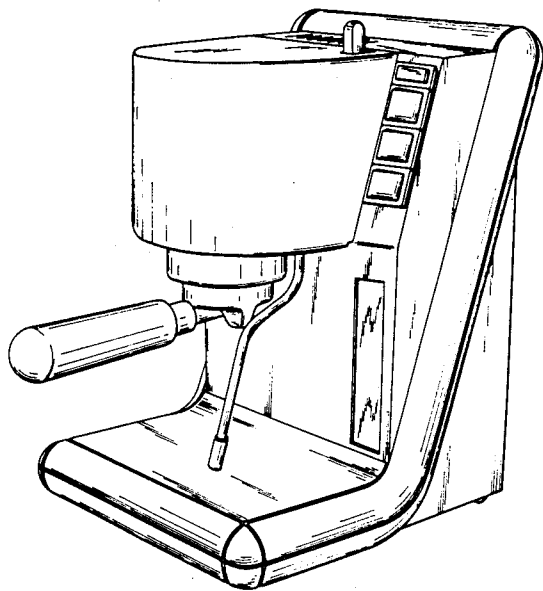


Fig. 1

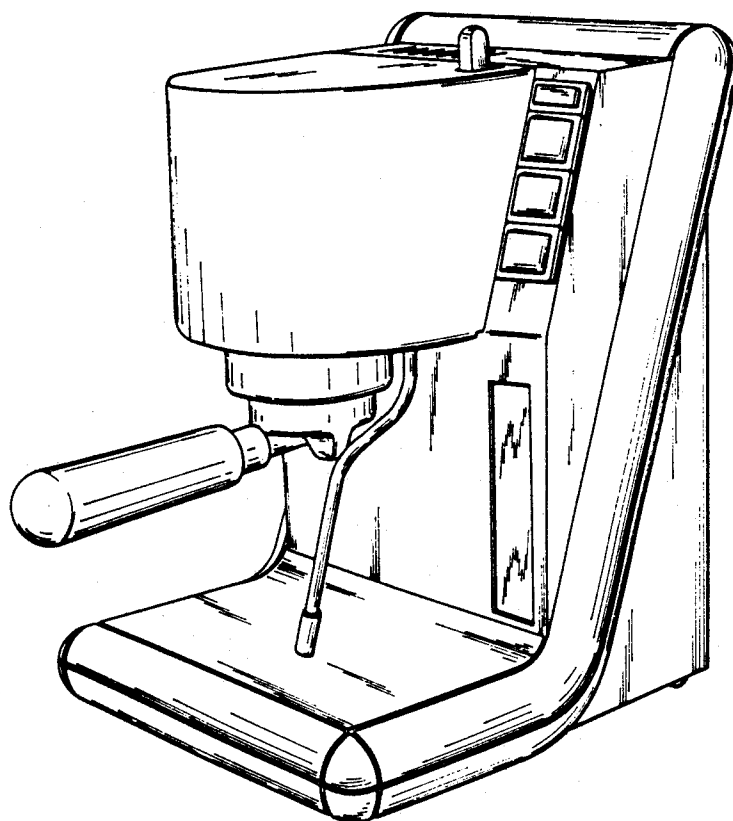


Fig. 2

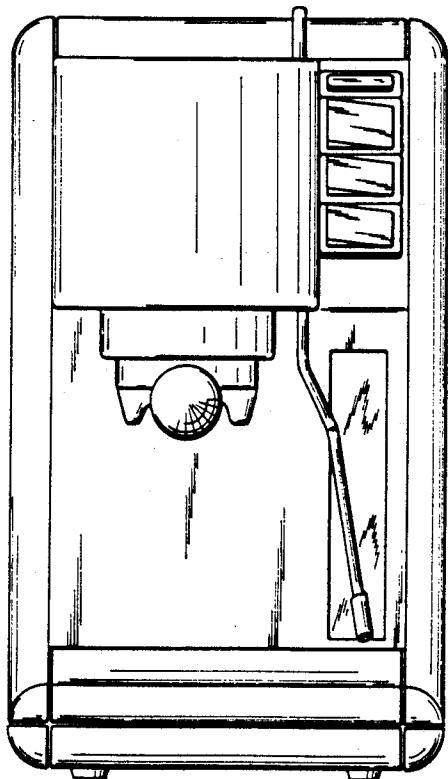
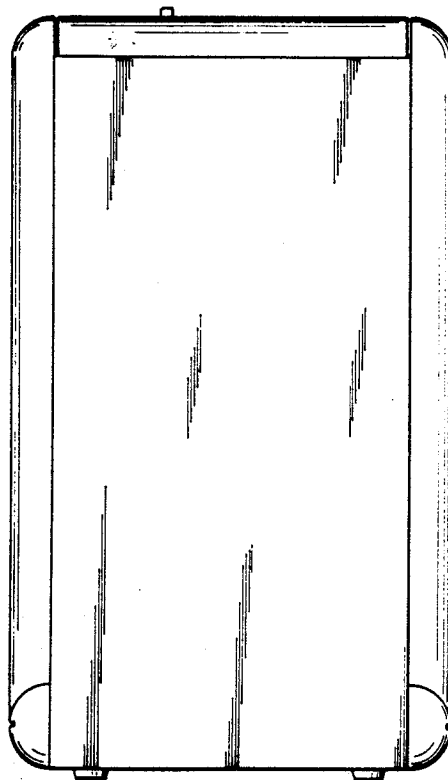


Fig. 3



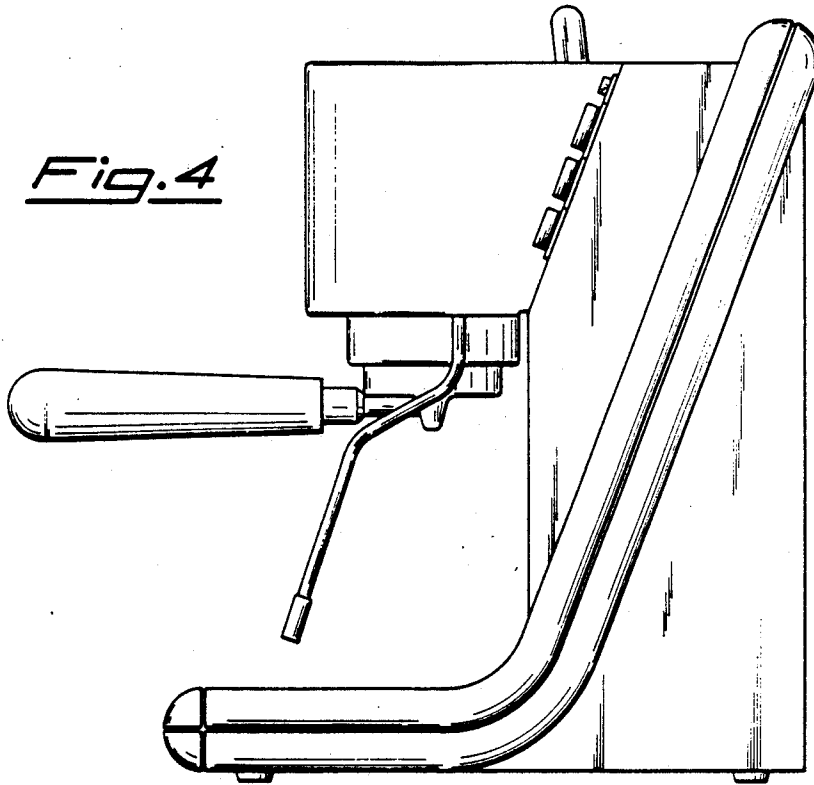
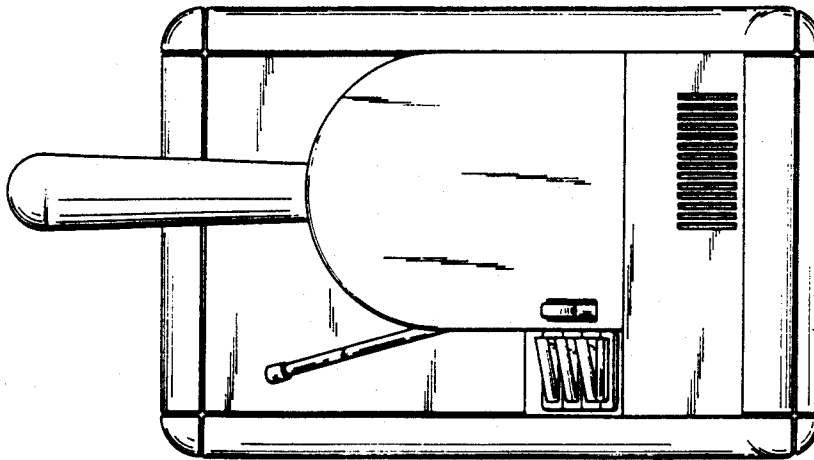


Fig. 5



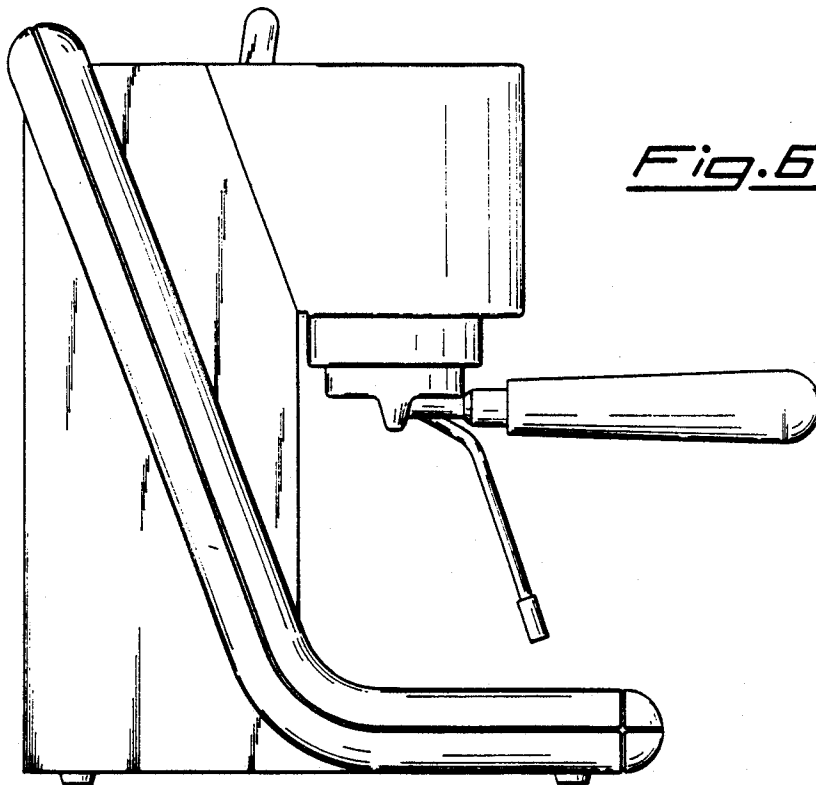


Fig. 6

Fig. 7

