



US00D884647S

(12) **United States Design Patent**
Lee et al.

(10) **Patent No.:** **US D884,647 S**
(45) **Date of Patent:** **** May 19, 2020**

(54) **CABLE CONNECTOR**

OTHER PUBLICATIONS

(71) Applicant: **Samsung Electronics Co., Ltd.**,
Suwon-si (KR)

Amazon. Samsung Electronics VG-SOCN15/ZA Invisible Connection Cable (15m)—(2018). May 13, 2018. <https://www.amazon.com/Samsung-Electronics-VG-SOCN15-ZA-Connection/dp/B07CV2W8PT> (Year: 2018).*

(72) Inventors: **Seung-Ho Lee**, Guri-si (KR);
Dong-Wook Kim, Seoul (KR)

Primary Examiner — Darcey E Gottschalk

(73) Assignee: **SAMSUNG ELECTRONICS CO., LTD.**,
Suwon-si (KR)

(74) *Attorney, Agent, or Firm* — McAndrews Held & Malloy, Ltd.

(**) Term: **15 Years**

(21) Appl. No.: **29/655,311**

(57) **CLAIM**

(22) Filed: **Jul. 2, 2018**

The ornamental design for a cable connector, as shown and described.

(30) **Foreign Application Priority Data**

Jan. 5, 2018 (KR) 30-2018-0000855

(51) **LOC (12) Cl.** **13-03**

(52) **U.S. Cl.**
USPC **D13/147**

(58) **Field of Classification Search**
USPC D13/103, 107, 108, 110, 112, 118, 120,
D13/123, 133, 137.1, 145–147, 149–156,
D13/158, 173, 177, 184, 199, 242;
D14/240, 242, 433, 434, 435.1, 438;
D26/129

(Continued)

(56) **References Cited**

U.S. PATENT DOCUMENTS

D264,845 S * 6/1982 Hellwig D14/140
D479,200 S 9/2003 Liu et al.
(Continued)

FOREIGN PATENT DOCUMENTS

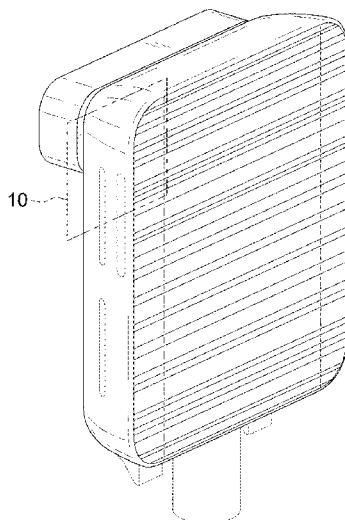
EM 001886417-0001 9/2011
JP 1323595 3/2008
(Continued)

DESCRIPTION

FIG. 1 is a front perspective view of a cable connector showing our new design;
FIG. 2 is a front elevation view thereof;
FIG. 3 is a rear elevation view thereof;
FIG. 4 is a left side elevation view thereof;
FIG. 5 is a right side elevation view thereof;
FIG. 6 is a top plan view thereof;
FIG. 7 is a bottom plan view thereof;
FIG. 8 is a rear perspective view thereof;
FIG. 9 is a partially-exploded rear perspective view thereof;
and,
FIG. 10 is an enlarged view of the portion delineated in FIG. 1.

The dashed broken lines in the figures illustrate portions of the cable connector that form no part of the claimed design. The dot-dash broken lines in FIGS. 3, 8, and 9 define the boundary of the claimed design and form no part thereof. The dot-dot-dash broken lines in FIGS. 1 and 10 delineate a portion of the claimed design that is illustrated in an enlarged view and form no part of the claimed design.

1 Claim, 10 Drawing Sheets



(58) **Field of Classification Search**

CPC H01R 13/28

See application file for complete search history.

(56) **References Cited**

U.S. PATENT DOCUMENTS

D821,971 S * 7/2018 Yang D13/107

D865,678 S * 11/2019 Shimada H01R 13/28

D13/147

FOREIGN PATENT DOCUMENTS

JP 1366363 8/2009

KR 300434131 12/2006

* cited by examiner

FIG. 1

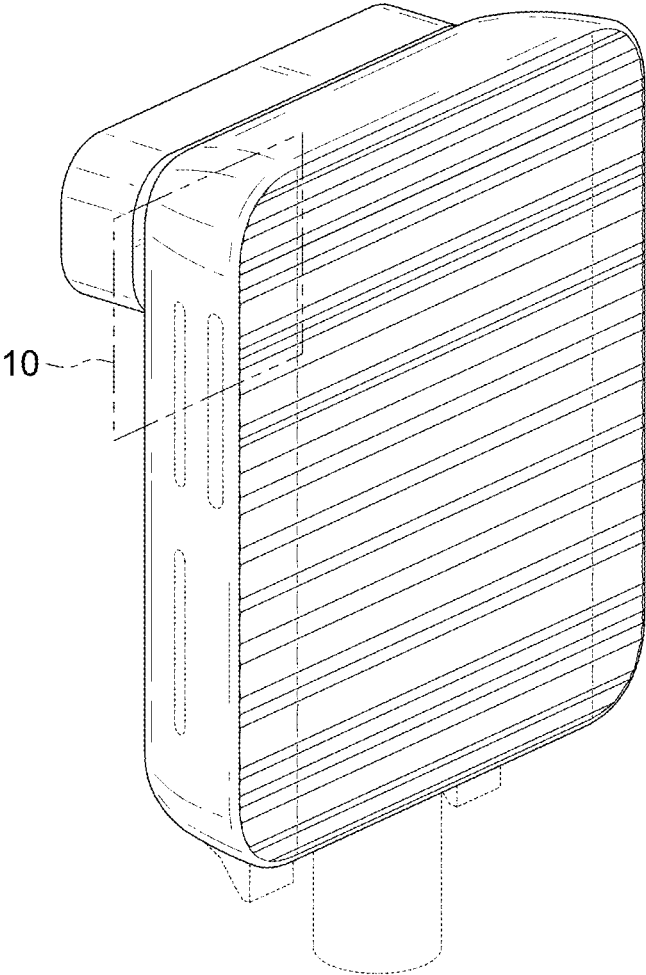


FIG. 2

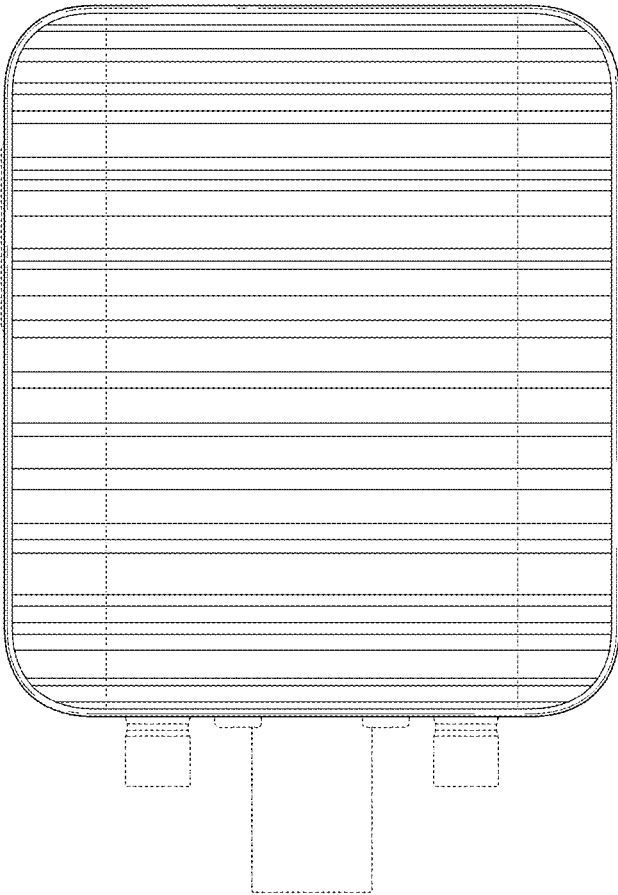


FIG. 3

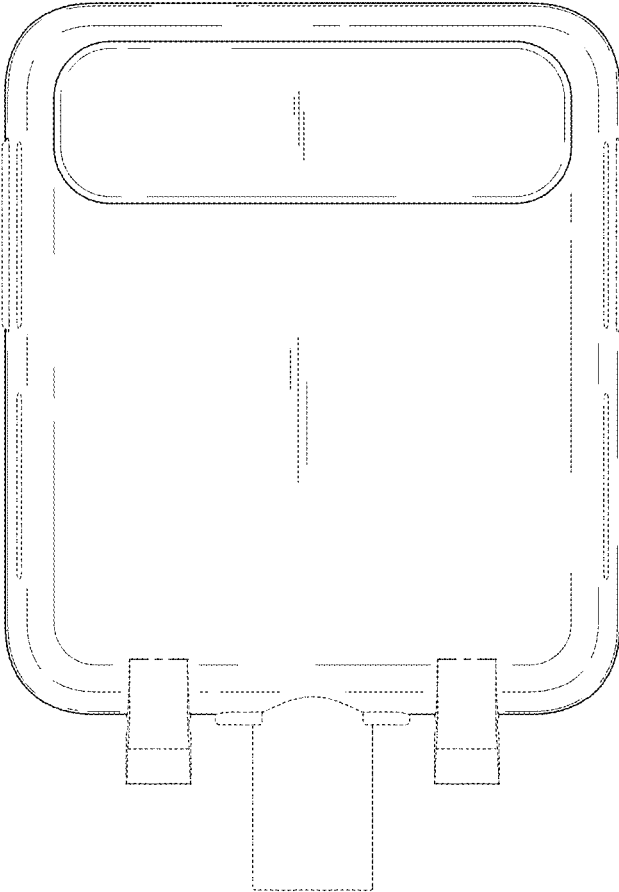


FIG. 4

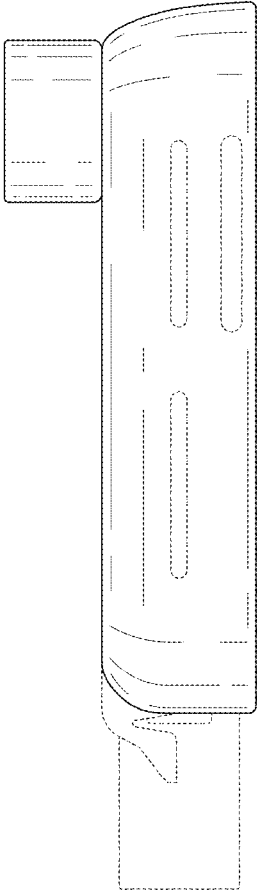


FIG. 5

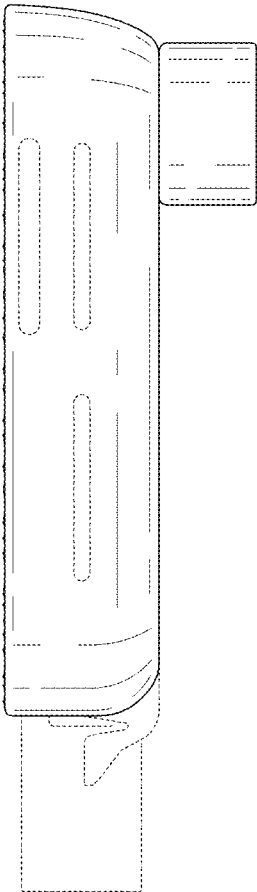


FIG. 6

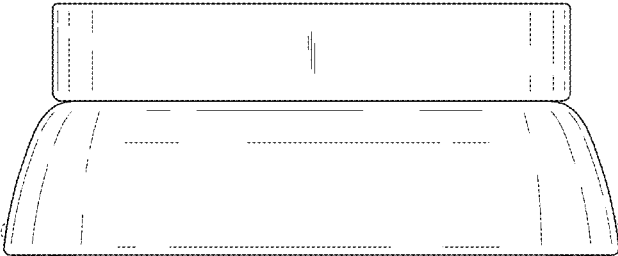


FIG. 7

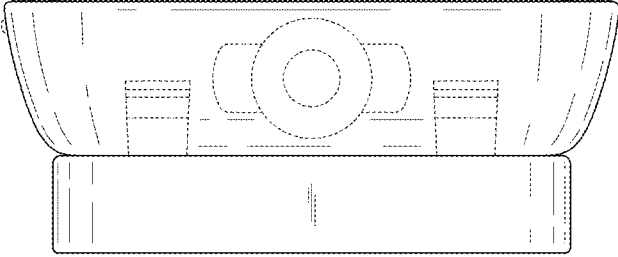


FIG. 8

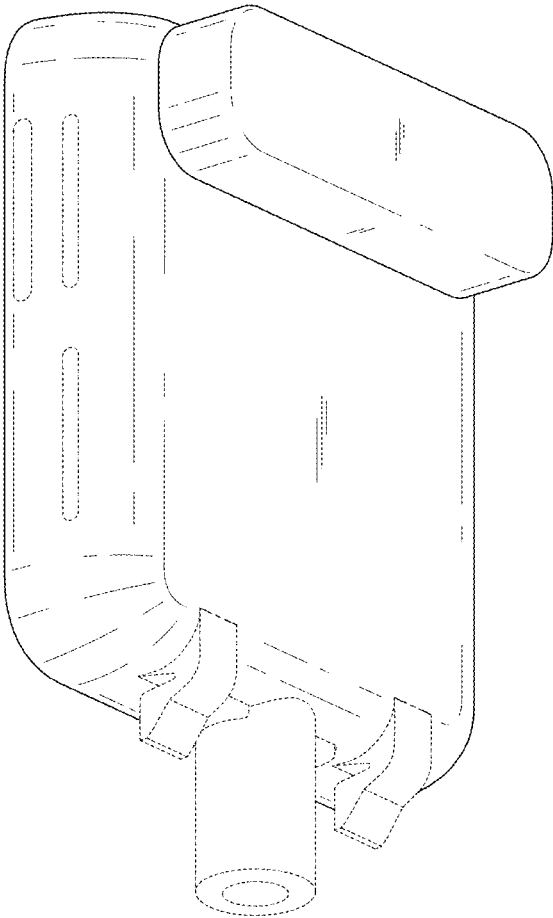


FIG. 9

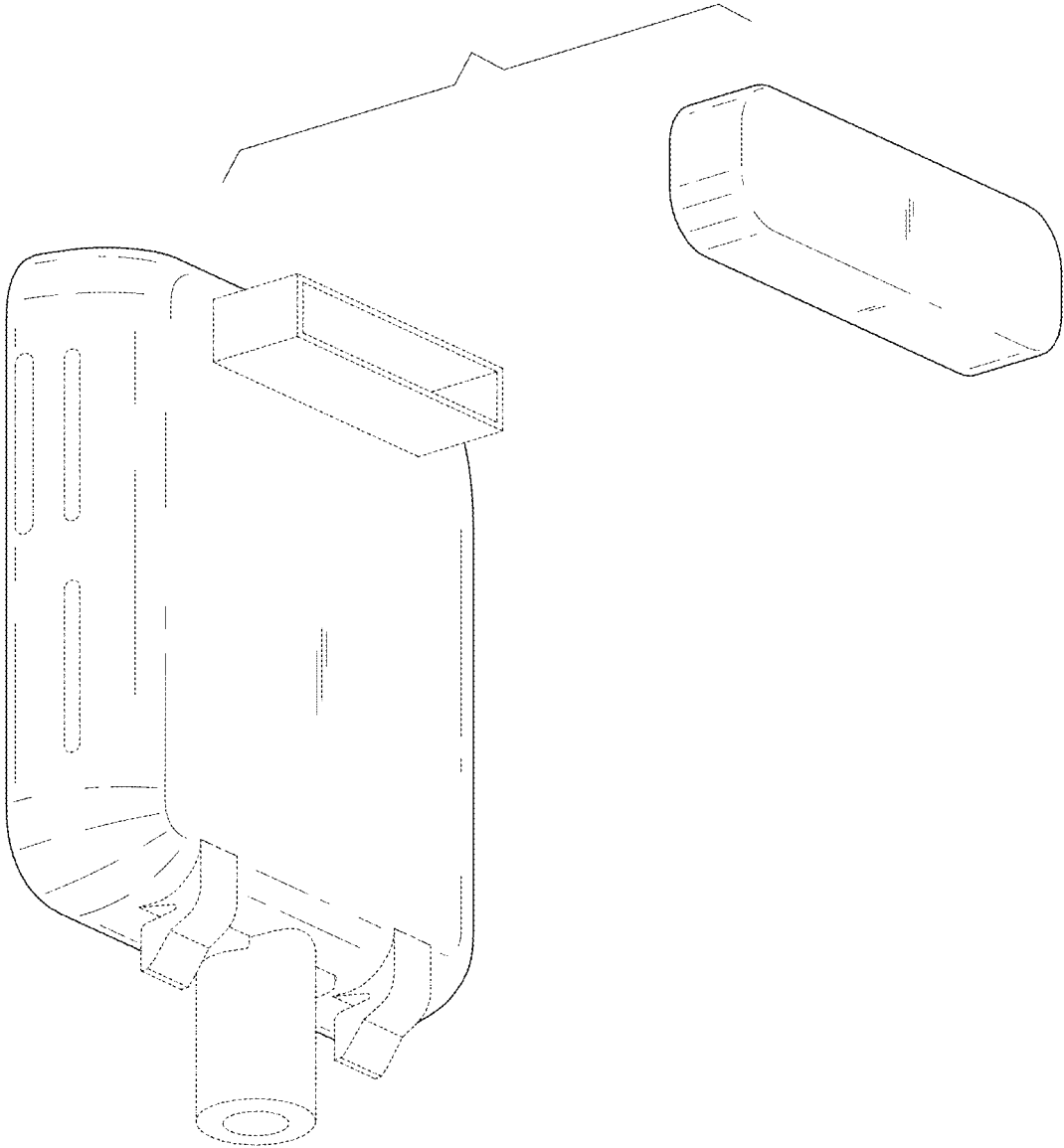


FIG. 10

