



US00D368606S

United States Patent [19]
Sargent, III

[11] **Patent Number:** **Des. 368,606**
[45] **Date of Patent:** ****Apr. 9, 1996**

[54] **FOOD SERVICE COUNTER**
[76] Inventor: **Jim W. Sargent, III**, 121 Fairground Rd., Florence, Ala. 53630
[**] Term: **14 Years**
[21] Appl. No.: **30,459**
[22] Filed: **Oct. 31, 1994**
[52] U.S. Cl. **D6/481**
[58] **Field of Search** D6/481; D25/16; 52/36.1, 36.2; 312/140.1, 140.2, 116, 117, 126, 284, 140.4

3,350,151 10/1967 Phillips 312/140.4

Primary Examiner—Janice E. Seeger
Attorney, Agent, or Firm—Kennedy & Kennedy

[57] **CLAIM**

The ornamental design for a food service counter, as shown and described.

DESCRIPTION

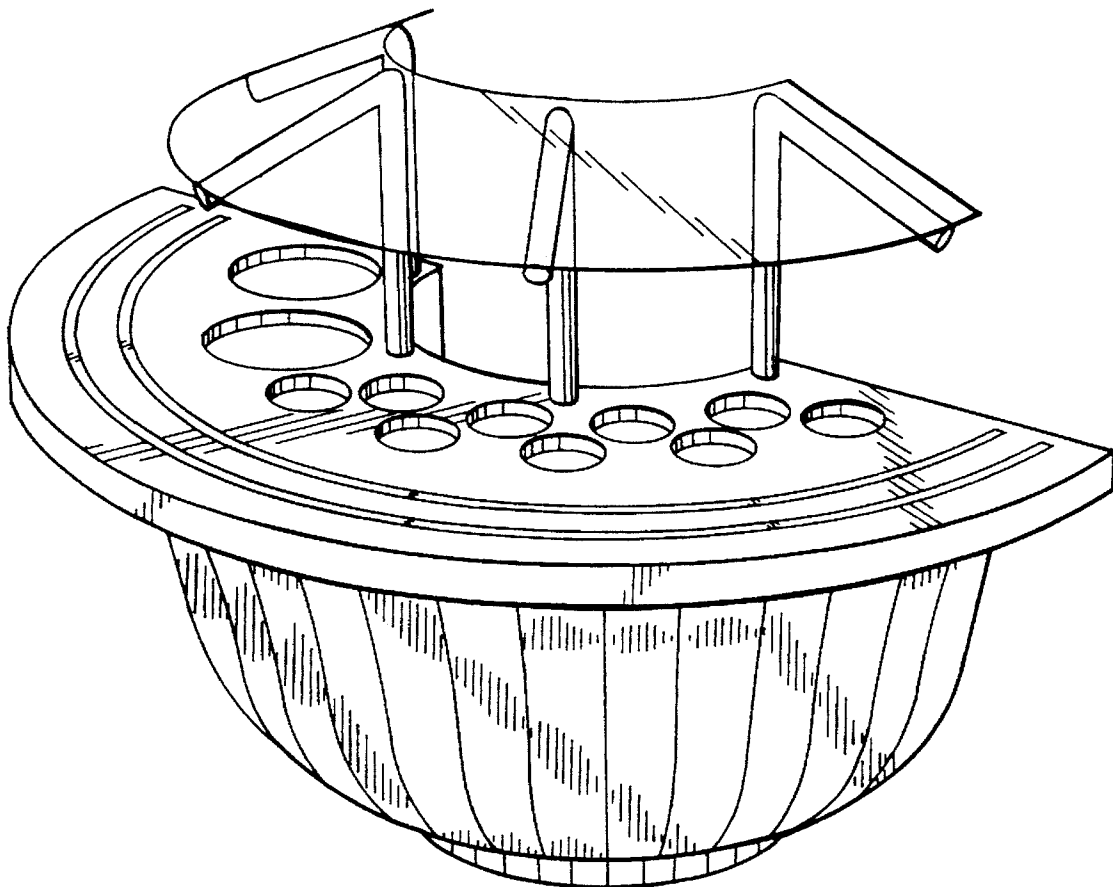
FIG. 1 is a perspective view of the food service counter; FIG. 2 is a front view thereof; FIG. 3 is a side view thereof, the opposite side by a mirror thereof; FIG. 4 is a rear view thereof; FIG. 5 is a top view thereof; and, FIG. 6 is a bottom view thereof.

References Cited

U.S. PATENT DOCUMENTS

- D. 75,233 5/1928 Gersenberger et al. D25/16 X
- D. 287,688 1/1987 Mortimer D6/481 X
- D. 346,867 5/1994 Mantilla D6/481 X

1 Claim, 4 Drawing Sheets



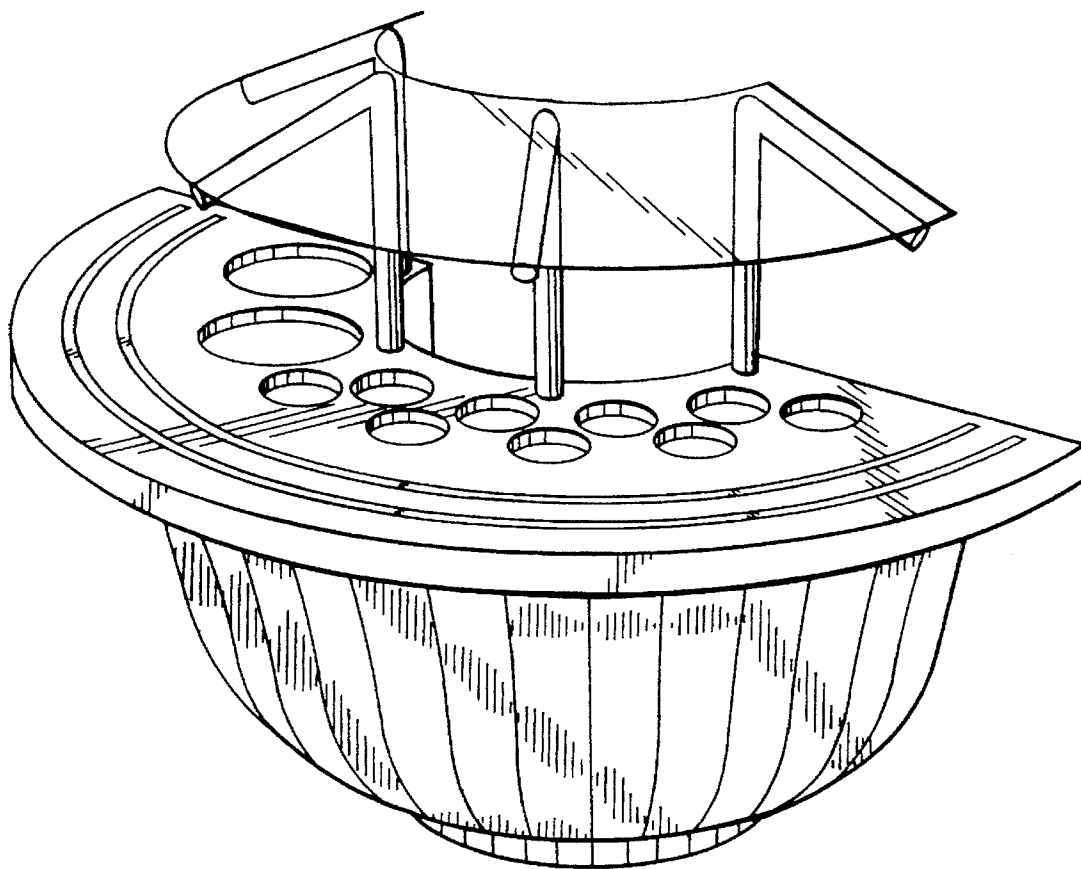


FIG 1

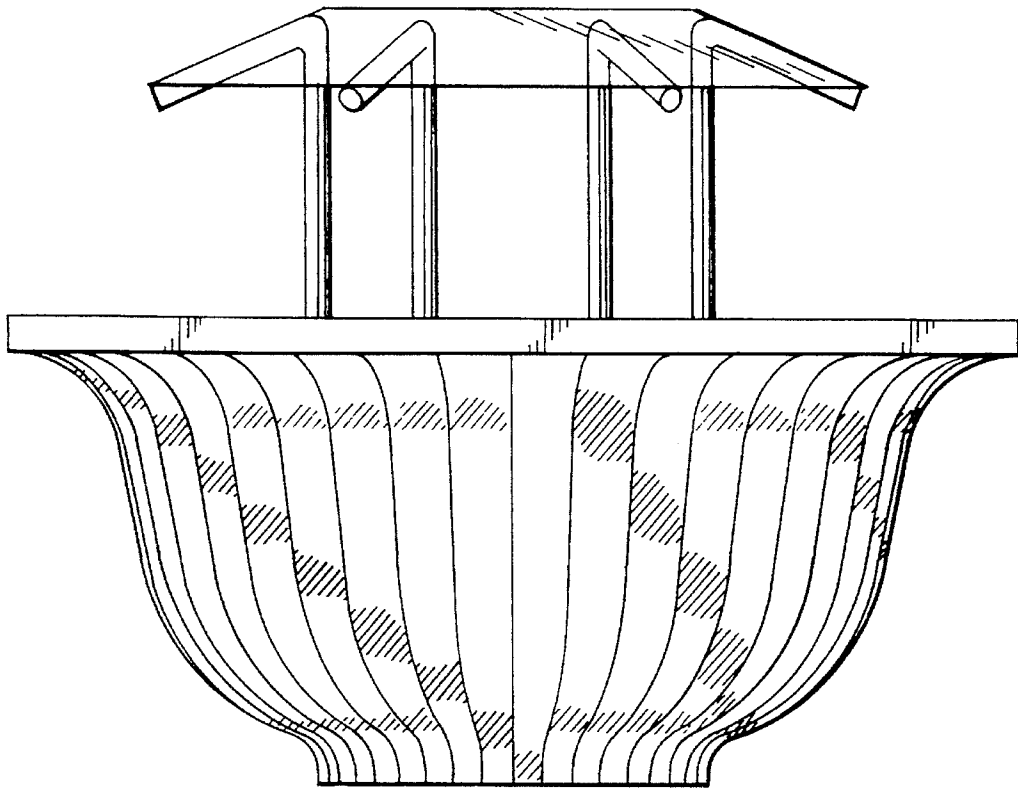


FIG 2

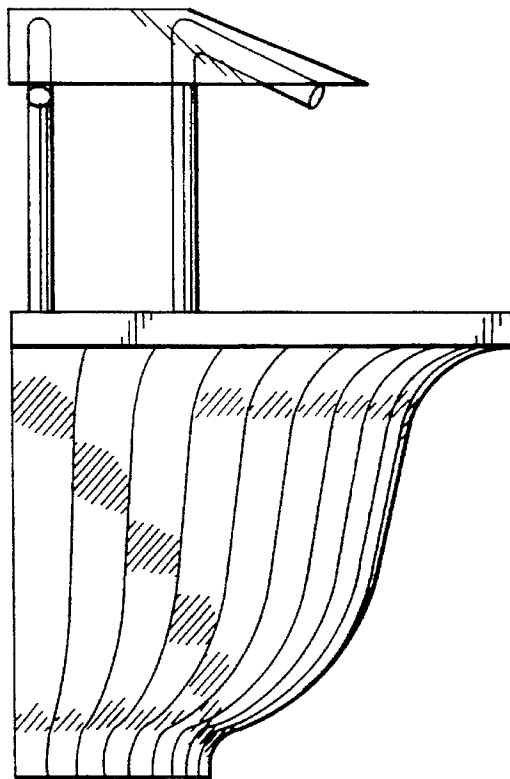


FIG 3

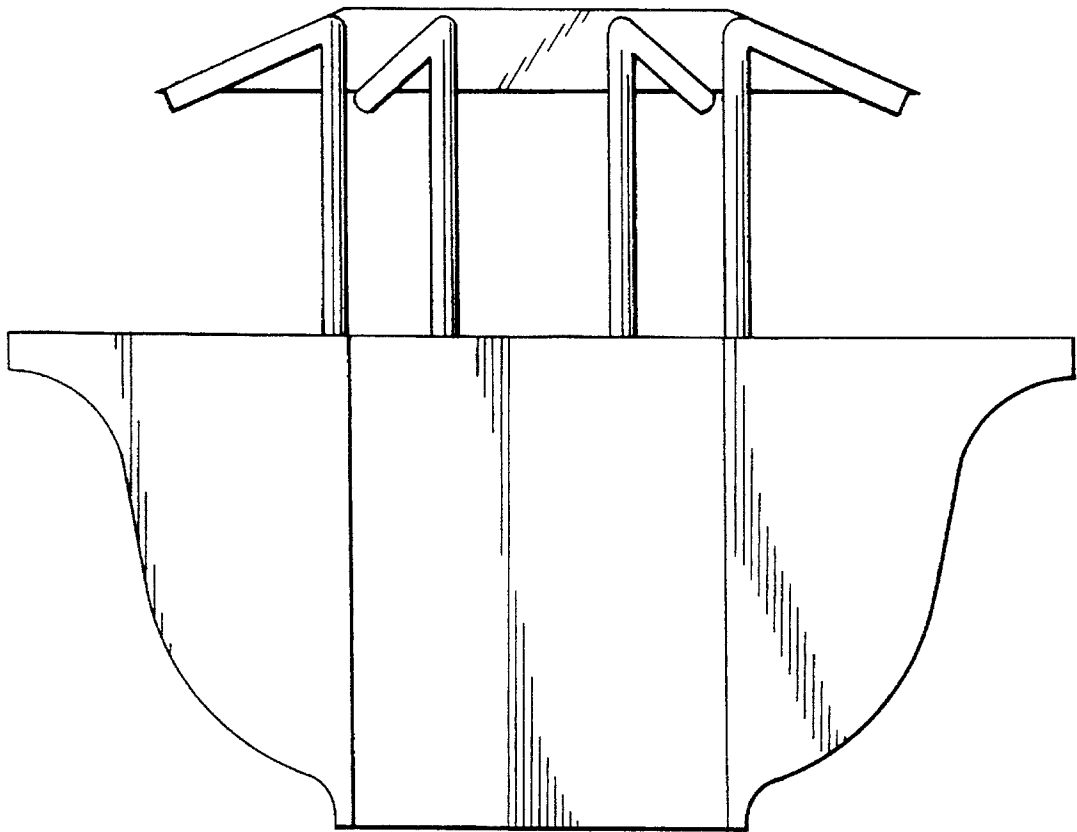


FIG 4

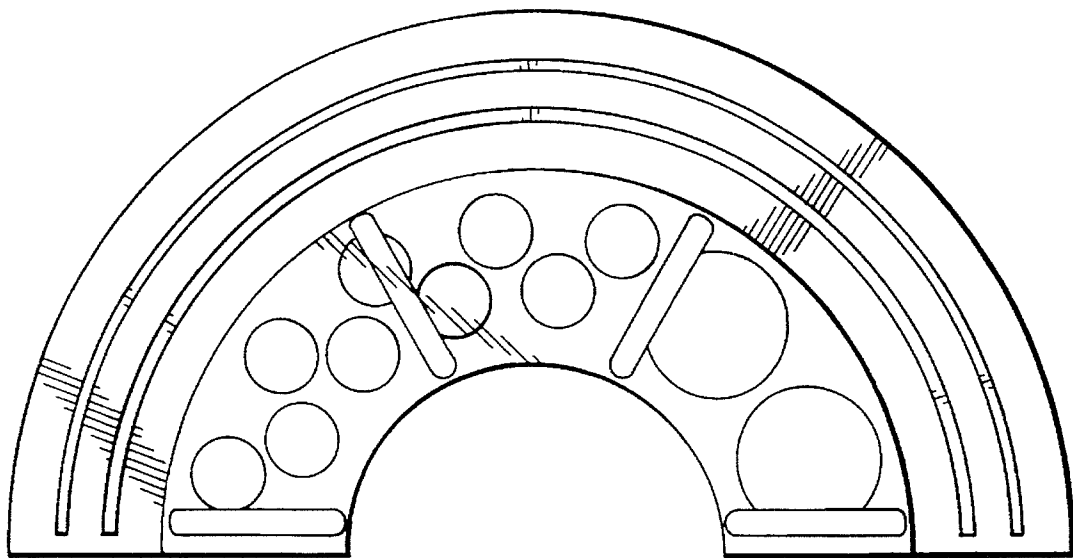


FIG 5

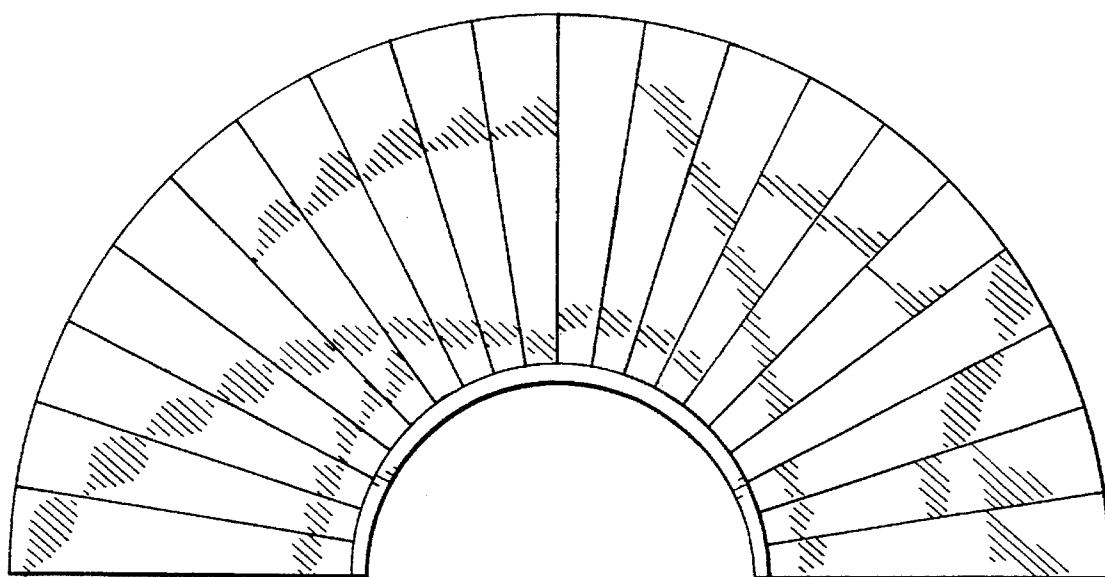


FIG 6