

(19) World Intellectual Property Organization  
International Bureau



(43) International Publication Date  
7 June 2007 (07.06.2007)

PCT

(10) International Publication Number  
**WO 2007/064824 A3**

- (51) International Patent Classification:  
*G06F 19/00* (2006.01)    *G08B 13/14* (2006.01)
- (21) International Application Number:  
PCT/US2006/045900
- (22) International Filing Date:  
30 November 2006 (30.11.2006)
- (25) Filing Language: English
- (26) Publication Language: English
- (30) Priority Data:  
11/292,812    2 December 2005 (02.12.2005)    US
- (63) Related by continuation (CON) or continuation-in-part (CIP) to earlier application:  
US    11/493,382 (CON)  
Filed on    26 July 2006 (26.07.2006)
- (71) Applicant (for all designated States except US):  
**MARKEM CORPORATION** [US/US]; 150 Congress Street, Keene, New Hampshire 03431 (US).
- (72) Inventors; and
- (75) Inventors/Applicants (for US only): **OAKES, Jonathan** [US/US]; 102 Baker Street, Keene, New Hampshire 03431 (US). **BENJAMIN, David** [US/US]; 34 C Stone House Lane, Keene, NH 03431 (US).
- (74) Agent: **GAGEL, John, J.**; Fish & Richardson P.C., P.O. Box 1022, Minneapolis, Minnesota 55400 (US).

- (81) Designated States (unless otherwise indicated, for every kind of national protection available): AE, AG, AL, AM, AT, AU, AZ, BA, BB, BG, BR, BW, BY, BZ, CA, CH, CN, CO, CR, CU, CZ, DE, DK, DM, DZ, EC, EE, EG, ES, FI, GB, GD, GE, GH, GM, GT, HN, HR, HU, ID, IL, IN, IS, JP, KE, KG, KM, KN, KP, KR, KZ, LA, LC, LK, LR, LS, LT, LU, LV, LY, MA, MD, MG, MK, MN, MW, MX, MY, MZ, NA, NG, NI, NO, NZ, OM, PG, PH, PL, PT, RO, RS, RU, SC, SD, SE, SG, SK, SL, SM, SV, SY, TJ, TM, TN, TR, TT, TZ, UA, UG, UZ, VC, VN, ZA, ZM, ZW.
- (84) Designated States (unless otherwise indicated, for every kind of regional protection available): ARIPO (BW, GH, GM, KE, LS, MW, MZ, NA, SD, SL, SZ, TZ, UG, ZM, ZW), Eurasian (AM, AZ, BY, KG, KZ, MD, RU, TJ, TM), European (AT, BE, BG, CH, CY, CZ, DE, DK, EE, ES, FI, FR, GB, GR, HU, IE, IS, IT, LT, LU, LV, MC, NL, PL, PT, RO, SE, SI, SK, TR), OAPI (BF, BJ, CF, CG, CI, CM, GA, GN, GQ, GW, ML, MR, NE, SN, TD, TG).

**Declarations under Rule 4.17:**

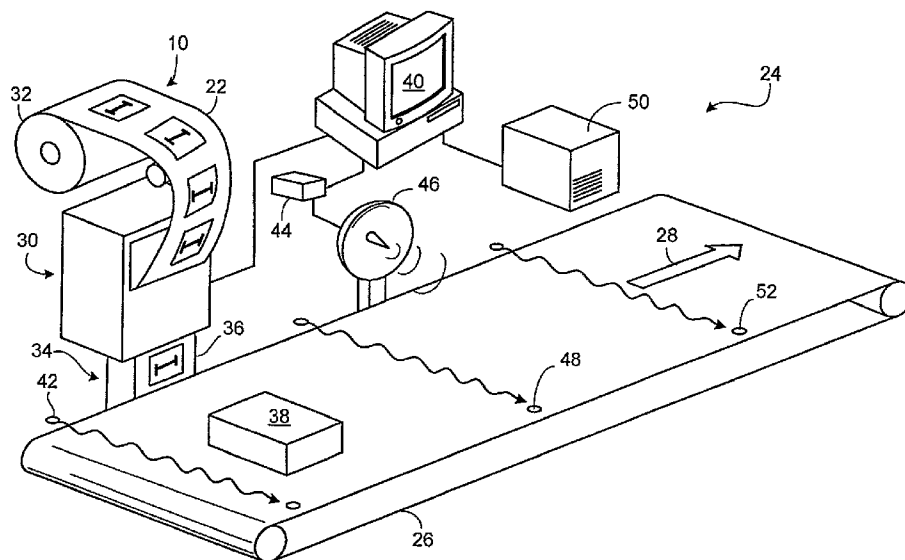
- as to applicant's entitlement to apply for and be granted a patent (Rule 4.17(ii))
- as to the applicant's entitlement to claim the priority of the earlier application (Rule 4.17(iii))

**Published:**

- with international search report

[Continued on next page]

(54) Title: MERCHANDISE MARKING WITH PROGRAMMABLE TRANSPONDERS



(57) Abstract: Methods and systems for programming programmable transponders are disclosed

WO 2007/064824 A3



— *before the expiration of the time limit for amending the claims and to be republished in the event of receipt of amendments*

*For two-letter codes and other abbreviations, refer to the "Guidance Notes on Codes and Abbreviations" appearing at the beginning of each regular issue of the PCT Gazette.*

**(88) Date of publication of the international search report:**

6 December 2007

**INTERNATIONAL SEARCH REPORT**

International application No.

PCT/US 06/45900

<p><b>A. CLASSIFICATION OF SUBJECT MATTER</b>                  IPC(8): G06F 19/00; G08B 13/14 (2007.01)                  USPC: 340/572.1; 700/115                  According to International Patent Classification (IPC) or to both national classification and IPC</p>																				
<p><b>B. FIELDS SEARCHED</b>                  Minimum documentation searched (classification system followed by classification symbols)                  USPC: 340/572.1; 700/115</p> <p>Documentation searched other than minimum documentation to the extent that such documents are included in the fields searched                  USPC: 340/10.1, 10.51 (search term limited - see terms below)</p> <p>Electronic data base consulted during the international search (name of data base and, where practicable, search terms used)                  PubWEST(USPAT, USPGPB, EPAB, JPAB); Google search                  Search terms including: label, RFID, programming, antenna, shield, print, tag, radiation</p>																				
<p><b>C. DOCUMENTS CONSIDERED TO BE RELEVANT</b></p> <table border="1"> <thead> <tr> <th>Category*</th> <th>Citation of document, with indication, where appropriate, of the relevant passages</th> <th>Relevant to claim No.</th> </tr> </thead> <tbody> <tr> <td>X — Y</td> <td>US 5,929,760 A (MONAHAN) 27 July 1999 (27.07.1999), entire document, especially col 2, ln 52 to col 4, ln 36; figs. 1-8</td> <td>1-4, 6-8, 12, 13 — 5, 9-11, 14-21</td> </tr> <tr> <td>Y</td> <td>US 6,028,518 A (RANKIN et al.) 22 February 2000 (22.02.2000), col 4, ln 16-39 and col 6, ln 11-16.</td> <td>5, 14-18</td> </tr> <tr> <td>Y</td> <td>US 6,529,799 B1 (PAULK, Jr. et al.) 04 March 2003 (04.03.2003), col 5, ln 64 to col 6, ln 4 and col 8, ln 11-15.</td> <td>9, 10</td> </tr> <tr> <td>Y</td> <td>US 6,970,070 B2 (JUELS et al.) 29 November 2005 (29.11.2005), col 1, ln 60-65.</td> <td>11</td> </tr> <tr> <td>Y</td> <td>US 2005/0022470 A1 (FOCKE et al.) 03 February 2005 (03.02.2005), abstract; para [0040]-[0042]; fig 10.</td> <td>19-21</td> </tr> </tbody> </table>			Category*	Citation of document, with indication, where appropriate, of the relevant passages	Relevant to claim No.	X — Y	US 5,929,760 A (MONAHAN) 27 July 1999 (27.07.1999), entire document, especially col 2, ln 52 to col 4, ln 36; figs. 1-8	1-4, 6-8, 12, 13 — 5, 9-11, 14-21	Y	US 6,028,518 A (RANKIN et al.) 22 February 2000 (22.02.2000), col 4, ln 16-39 and col 6, ln 11-16.	5, 14-18	Y	US 6,529,799 B1 (PAULK, Jr. et al.) 04 March 2003 (04.03.2003), col 5, ln 64 to col 6, ln 4 and col 8, ln 11-15.	9, 10	Y	US 6,970,070 B2 (JUELS et al.) 29 November 2005 (29.11.2005), col 1, ln 60-65.	11	Y	US 2005/0022470 A1 (FOCKE et al.) 03 February 2005 (03.02.2005), abstract; para [0040]-[0042]; fig 10.	19-21
Category*	Citation of document, with indication, where appropriate, of the relevant passages	Relevant to claim No.																		
X — Y	US 5,929,760 A (MONAHAN) 27 July 1999 (27.07.1999), entire document, especially col 2, ln 52 to col 4, ln 36; figs. 1-8	1-4, 6-8, 12, 13 — 5, 9-11, 14-21																		
Y	US 6,028,518 A (RANKIN et al.) 22 February 2000 (22.02.2000), col 4, ln 16-39 and col 6, ln 11-16.	5, 14-18																		
Y	US 6,529,799 B1 (PAULK, Jr. et al.) 04 March 2003 (04.03.2003), col 5, ln 64 to col 6, ln 4 and col 8, ln 11-15.	9, 10																		
Y	US 6,970,070 B2 (JUELS et al.) 29 November 2005 (29.11.2005), col 1, ln 60-65.	11																		
Y	US 2005/0022470 A1 (FOCKE et al.) 03 February 2005 (03.02.2005), abstract; para [0040]-[0042]; fig 10.	19-21																		
<p><input type="checkbox"/> Further documents are listed in the continuation of Box C. <input type="checkbox"/></p>																				
<p>* Special categories of cited documents:</p> <table border="0"> <tr> <td>“A” document defining the general state of the art which is not considered to be of particular relevance</td> <td>“T” later document published after the international filing date or priority date and not in conflict with the application but cited to understand the principle or theory underlying the invention</td> </tr> <tr> <td>“E” earlier application or patent but published on or after the international filing date</td> <td>“X” document of particular relevance; the claimed invention cannot be considered novel or cannot be considered to involve an inventive step when the document is taken alone</td> </tr> <tr> <td>“L” document which may throw doubts on priority claim(s) or which is cited to establish the publication date of another citation or other special reason (as specified)</td> <td>“Y” document of particular relevance; the claimed invention cannot be considered to involve an inventive step when the document is combined with one or more other such documents, such combination being obvious to a person skilled in the art</td> </tr> <tr> <td>“O” document referring to an oral disclosure, use, exhibition or other means</td> <td>“&amp;” document member of the same patent family</td> </tr> <tr> <td>“P” document published prior to the international filing date but later than the priority date claimed</td> <td></td> </tr> </table>			“A” document defining the general state of the art which is not considered to be of particular relevance	“T” later document published after the international filing date or priority date and not in conflict with the application but cited to understand the principle or theory underlying the invention	“E” earlier application or patent but published on or after the international filing date	“X” document of particular relevance; the claimed invention cannot be considered novel or cannot be considered to involve an inventive step when the document is taken alone	“L” document which may throw doubts on priority claim(s) or which is cited to establish the publication date of another citation or other special reason (as specified)	“Y” document of particular relevance; the claimed invention cannot be considered to involve an inventive step when the document is combined with one or more other such documents, such combination being obvious to a person skilled in the art	“O” document referring to an oral disclosure, use, exhibition or other means	“&” document member of the same patent family	“P” document published prior to the international filing date but later than the priority date claimed									
“A” document defining the general state of the art which is not considered to be of particular relevance	“T” later document published after the international filing date or priority date and not in conflict with the application but cited to understand the principle or theory underlying the invention																			
“E” earlier application or patent but published on or after the international filing date	“X” document of particular relevance; the claimed invention cannot be considered novel or cannot be considered to involve an inventive step when the document is taken alone																			
“L” document which may throw doubts on priority claim(s) or which is cited to establish the publication date of another citation or other special reason (as specified)	“Y” document of particular relevance; the claimed invention cannot be considered to involve an inventive step when the document is combined with one or more other such documents, such combination being obvious to a person skilled in the art																			
“O” document referring to an oral disclosure, use, exhibition or other means	“&” document member of the same patent family																			
“P” document published prior to the international filing date but later than the priority date claimed																				
<p>Date of the actual completion of the international search 02 August 2007 (02.08.2007)</p>		<p>Date of mailing of the international search report <b>10 OCT 2007</b></p>																		
<p>Name and mailing address of the ISA/US                  Mail Stop PCT, Attn: ISA/US, Commissioner for Patents                  P.O. Box 1450, Alexandria, Virginia 22313-1450                  Facsimile No. 571-273-3201</p>		<p>Authorized officer:                  Lee W. Young                  PCT Helpdesk: 571-272-4300                  PCT OSP: 571-272-7774</p>																		