

(19) World Intellectual Property
Organization
International Bureau



(43) International Publication Date
22 January 2004 (22.01.2004)

PCT

(10) International Publication Number
WO 2004/007892 A3

(51) International Patent Classification⁷: E21B 43/10

Andrew, Abercrombie [GB/GB]; Burn of Daff Farm, Portlethen, Aberdeen AB12 4QX, Scotland (GB).
MACKAY, Alexander, Craig [GB/GB]; 20 Grant Road, Banchory, Aberdeenshire AB31 5UR, Scotland (GB).

(21) International Application Number:
PCT/GB2003/002930

(22) International Filing Date: 8 July 2003 (08.07.2003)

(74) Agents: MACDOUGALL, Donald, Carmichael et al.; Cruikshank & Fairweather, 19 Royal Exchange Square, Galsgow G1 3AE (GB).

(25) Filing Language: English

(26) Publication Language: English

(30) Priority Data:
0215918.4 10 July 2002 (10.07.2002) GB

(81) Designated States (*national*): AE, AG, AL, AM, AT, AU, AZ, BA, BB, BG, BR, BY, BZ, CH, CN, CO, CR, CU, CZ, DE, DK, DM, DZ, EC, EE, ES, FI, GB, GD, GE, GH, GM, HR, HU, ID, IL, IN, IS, JP, KE, KG, KP, KR, KZ, LC, LK, LR, LS, LT, LU, LV, MA, MD, MG, MK, MN, MW, MX, MZ, NO, NZ, OM, PH, PL, PT, RO, RU, SC, SD, SE, SG, SK, SL, TJ, TM, TN, TR, TT, TZ, UA, UG, US, UZ, VC, VN, YU, ZA, ZM, ZW.

(71) Applicant (*for all designated States except US*): WEATHERFORD/LAMB, INC. [US/US]; Suite 600, 515 Post Oak Boulevard, Houston, TX 77027 (US).

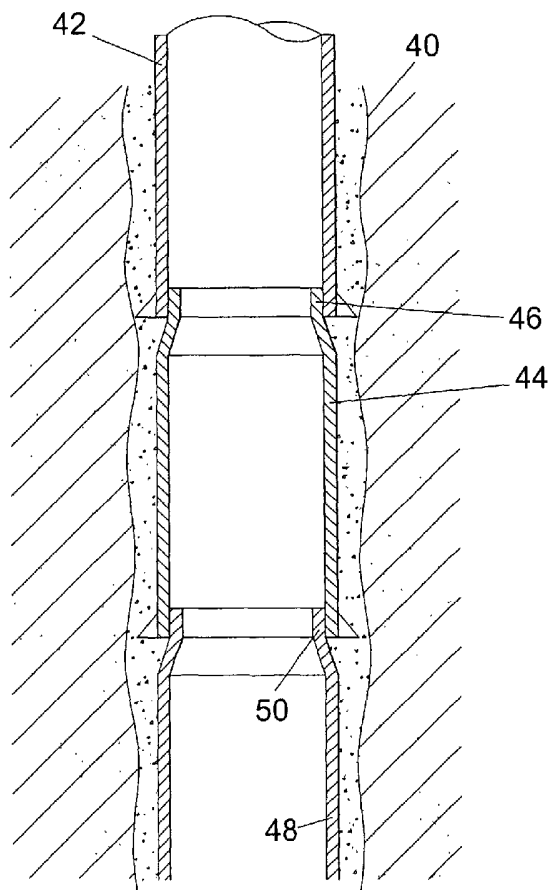
(84) Designated States (*regional*): ARIPO patent (GH, GM, KE, LS, MW, MZ, SD, SL, SZ, TZ, UG, ZM, ZW), Eurasian patent (AM, AZ, BY, KG, KZ, MD, RU, TJ, TM),

(72) Inventors; and

(75) Inventors/Applicants (*for US only*): SIMPSON, Neil,

[Continued on next page]

(54) Title: EXPANSION METHOD



(57) Abstract: A method of expanding tubing downhole comprises the steps of: providing tubing (14; 44) of a first diameter; running the tubing into a bore (10; 40); expanding a first section of the tubing to a second diameter, and expanding a second section of the tubing to a third diameter.

WO 2004/007892 A3



European patent (AT, BE, BG, CH, CY, CZ, DE, DK, EE, ES, FI, FR, GB, GR, HU, IE, IT, LU, MC, NL, PT, RO, SE, SI, SK, TR), OAPI patent (BF, BJ, CF, CG, CI, CM, GA, GN, GQ, GW, ML, MR, NE, SN, TD, TG).

(88) Date of publication of the international search report:
15 April 2004

Published:

- *with international search report*
- *before the expiration of the time limit for amending the claims and to be republished in the event of receipt of amendments*

For two-letter codes and other abbreviations, refer to the "Guidance Notes on Codes and Abbreviations" appearing at the beginning of each regular issue of the PCT Gazette.

INTERNATIONAL SEARCH REPORT

International Application No
PCT/GB 03/02930

A. CLASSIFICATION OF SUBJECT MATTER
IPC 7 E21B43/10

According to International Patent Classification (IPC) or to both national classification and IPC

B. FIELDS SEARCHED

Minimum documentation searched (classification system followed by classification symbols)
IPC 7 E21B

Documentation searched other than minimum documentation to the extent that such documents are included in the fields searched

Electronic data base consulted during the international search (name of data base and, where practical, search terms used)

EPO-Internal, WPI Data

C. DOCUMENTS CONSIDERED TO BE RELEVANT

Category °	Citation of document, with indication, where appropriate, of the relevant passages	Relevant to claim No.
X	FR 2 741 907 A (DRILLFLEX) 6 June 1997 (1997-06-06) the whole document	1-12, 14-17, 19-33, 35-39, 41,42, 44,45, 47-56, 61,63-68
X	US 2001/047866 A1 (STEWART R BRUCE ET AL) 6 December 2001 (2001-12-06) paragraphs [0213] - [0256]; figures 10,11	1-12, 36-39, 41,42, 44,45, 47-50, 54-56, 61,63-68

Further documents are listed in the continuation of box C.

Patent family members are listed in annex.

* Special categories of cited documents :

"A" document defining the general state of the art which is not considered to be of particular relevance

"E" earlier document but published on or after the international filing date

"L" document which may throw doubts on priority claim(s) or which is cited to establish the publication date of another citation or other special reason (as specified)

"O" document referring to an oral disclosure, use, exhibition or other means

"P" document published prior to the international filing date but later than the priority date claimed

"T" later document published after the international filing date or priority date and not in conflict with the application but cited to understand the principle or theory underlying the invention

"X" document of particular relevance; the claimed invention cannot be considered novel or cannot be considered to involve an inventive step when the document is taken alone

"Y" document of particular relevance; the claimed invention cannot be considered to involve an inventive step when the document is combined with one or more other such documents, such combination being obvious to a person skilled in the art.

"&" document member of the same patent family

Date of the actual completion of the international search

12 November 2003

Date of mailing of the international search report

23.02.2004

Name and mailing address of the ISA

European Patent Office, P.B. 5318 Patentlaan 2
NL - 2280 HV Rijswijk
Tel. (+31-70) 340-2040, Tx. 31 651 epo nl,
Fax: (+31-70) 340-3016

Authorized officer

van Berlo, A

INTERNATIONAL SEARCH REPORT

International Application No

PCT/GB 03/02930

C.(Continuation) DOCUMENTS CONSIDERED TO BE RELEVANT		
Category °	Citation of document, with indication, where appropriate, of the relevant passages	Relevant to claim No.
X	GB 2 345 308 A (PETROLINE WELLSYSTEMS LTD ;ASTEC DEV LTD (GB)) 5 July 2000 (2000-07-05) page 17, line 7 - page 21, line 4; figures 11-19 figures 1-10 -----	1-12
X	WO 99/35368 A (SHELL CANADA LTD ;SHELL INT RESEARCH (NL)) 15 July 1999 (1999-07-15) page 6, line 11 - page 7, line 7; figures 1-4 -----	1-3,5-8, 10-12
A	US 2002/020524 A1 (GANO JOHN C) 21 February 2002 (2002-02-21) figure 1E -----	1
A	WO 02/35058 A (METCALFE PAUL DAVID ;HARRALL SIMON JOHN (GB); TILTON FREDERICK T ()) 2 May 2002 (2002-05-02) the whole document -----	1
P,A	WO 02/086286 A (BURGE PHILIP MICHAEL ;E2 TECH LTD (NL)) 31 October 2002 (2002-10-31) figure 2 -----	1
P,A	WO 03/048521 A (SIMPSON NEIL ANDREW ABERCROMBI ;WEATHERFORD LAMB (US)) 12 June 2003 (2003-06-12) the whole document -----	1

INTERNATIONAL SEARCH REPORT

International application No.
PCT/GB 03/02930

Box I Observations where certain claims were found unsearchable (Continuation of item 1 of first sheet)

This International Search Report has not been established in respect of certain claims under Article 17(2)(a) for the following reasons:

1. Claims Nos.:
because they relate to subject matter not required to be searched by this Authority, namely:

2. Claims Nos.:
because they relate to parts of the International Application that do not comply with the prescribed requirements to such an extent that no meaningful International Search can be carried out, specifically:

3. Claims Nos.:
because they are dependent claims and are not drafted in accordance with the second and third sentences of Rule 6.4(a).

Box II Observations where unity of invention is lacking (Continuation of item 2 of first sheet)

This International Searching Authority found multiple inventions in this international application, as follows:

see additional sheet

1. As all required additional search fees were timely paid by the applicant, this International Search Report covers all searchable claims.
2. As all searchable claims could be searched without effort justifying an additional fee, this Authority did not invite payment of any additional fee.
3. As only some of the required additional search fees were timely paid by the applicant, this International Search Report covers only those claims for which fees were paid, specifically claims Nos.:
4. No required additional search fees were timely paid by the applicant. Consequently, this International Search Report is restricted to the invention first mentioned in the claims; it is covered by claims Nos.:

1-12, 14-17, 19-33, 35-39, 41, 42, 44, 45, 47-56, 61, 63-68

Remark on Protest

- The additional search fees were accompanied by the applicant's protest.
- No protest accompanied the payment of additional search fees.

INTERNATIONAL SEARCH REPORT

International Application No. PCT/GB 03/02930

FURTHER INFORMATION CONTINUED FROM PCT/ISA/ 210

This International Searching Authority found multiple (groups of) inventions in this international application, as follows:

1. claims: 1-12,14-17,19-33,35-39,41,42,44,45,47-56,61,63-68

A method of lining a drilled bore

2. claims: 13,18,34

Cementing the second tubing after expansion of a portion to a second diameter

3. claims: 40,43,46,57-60,62

Running expansion tools downhole

INTERNATIONAL SEARCH REPORT

Information on patent family members

International Application No

PCT/GB 03/02930

Patent document cited in search report	Publication date	Patent family member(s)	Publication date
FR 2741907 A	06-06-1997	FR 2741907 A1	06-06-1997
<hr style="border-top: 1px dashed black;"/>			
US 2001047866 A1	06-12-2001	US 6497289 B1	24-12-2002
		US 2003121558 A1	03-07-2003
		US 2002189816 A1	19-12-2002
		US 2003098154 A1	29-05-2003
		US 2003094278 A1	22-05-2003
		US 2003094279 A1	22-05-2003
		US 2003056949 A1	27-03-2003
		US 2003173090 A1	18-09-2003
		US 6575240 B1	10-06-2003
		US 6640903 B1	04-11-2003
		US 6604763 B1	12-08-2003
		US 6557640 B1	06-05-2003
		US 2001047870 A1	06-12-2001
		US 2001045289 A1	29-11-2001
		US 2002050360 A1	02-05-2002
		US 2002060078 A1	23-05-2002
		US 2002060069 A1	23-05-2002
		AU 767364 B2	06-11-2003
		AU 5933599 A	08-06-2000
		BR 9906143 A	05-09-2000
		DE 19958399 A1	13-07-2000
		GB 2380213 A ,B	02-04-2003
		GB 2380214 A ,B	02-04-2003
		GB 2380215 A ,B	02-04-2003
		GB 2344606 A ,B	14-06-2000
		NO 995991 A	08-06-2000
		US 6263966 B1	24-07-2001
		US 2002060068 A1	23-05-2002
		US 2002040787 A1	11-04-2002
<hr style="border-top: 1px dashed black;"/>			
GB 2345308 A	05-07-2000	AU 1867900 A	12-07-2000
		AU 1868700 A	12-07-2000
		AU 765292 B2	11-09-2003
		AU 1868800 A	12-07-2000
		AU 766855 B2	23-10-2003
		AU 1868900 A	12-07-2000
		AU 1876600 A	12-07-2000
		AU 766437 B2	16-10-2003
		AU 1876800 A	12-07-2000
		CA 2356130 A1	29-06-2000
		CA 2356131 A1	29-06-2000
		CA 2356144 A1	29-06-2000
		CA 2356148 A1	29-06-2000
		CA 2356184 A1	29-06-2000
		CA 2356194 A1	29-06-2000
		EP 1147287 A2	24-10-2001
		EP 1141517 A1	10-10-2001
		EP 1141515 A1	10-10-2001
		EP 1144802 A2	17-10-2001
		EP 1151180 A1	07-11-2001
		EP 1141518 A1	10-10-2001
		GB 2383361 A	25-06-2003
		GB 2382832 A ,B	11-06-2003
		GB 2383065 A ,B	18-06-2003
		WO 0037766 A2	29-06-2000
		WO 0037771 A1	29-06-2000

INTERNATIONAL SEARCH REPORT

Information on patent family members

International Application No

PCT/GB 03/02930

Patent document cited in search report	Publication date	Patent family member(s)	Publication date	
GB 2345308	A	WO 0037768 A1	29-06-2000	
		WO 0037767 A2	29-06-2000	
		WO 0037772 A1	29-06-2000	
		WO 0037773 A1	29-06-2000	
		GB 2346632 A ,B	16-08-2000	
		GB 2346400 A ,B	09-08-2000	
		GB 2346909 A ,B	23-08-2000	
		GB 2347445 A ,B	06-09-2000	
		NO 20012596 A	27-07-2001	
		NO 20012597 A	27-07-2001	
		NO 20012598 A	30-07-2001	
		NO 20012599 A	30-07-2001	
		NO 20012600 A	30-07-2001	
		NO 20012865 A	07-08-2001	
		US 2002195256 A1	26-12-2002	
		US 2003019638 A1	30-01-2003	
		US 2003136561 A1	24-07-2003	
		US 2003132032 A1	17-07-2003	
		US 2002166668 A1	14-11-2002	
		US 6543552 B1	08-04-2003	
US 2002145281 A1	10-10-2002			
US 2002079106 A1	27-06-2002			
US 2002060079 A1	23-05-2002			
WO 9935368	A	15-07-1999	AU 740213 B2	01-11-2001
			AU 2418699 A	26-07-1999
			BR 9814563 A	17-10-2000
			CA 2316978 A1	15-07-1999
			DE 69808139 D1	24-10-2002
			DE 69808139 T2	05-06-2003
			DK 1044316 T3	04-11-2002
			EA 2563 B1	27-06-2002
			WO 9935368 A1	15-07-1999
			EP 1044316 A1	18-10-2000
			JP 2002500306 T	08-01-2002
			NO 20003402 A	25-08-2000
			NZ 505059 A	28-03-2003
US 2002020524	A1	21-02-2002	US 6478091 B1	12-11-2002
			US 2003000709 A1	02-01-2003
WO 0235058	A	02-05-2002	AU 1072102 A	06-05-2002
			CA 2417487 A1	02-05-2002
			EP 1328705 A1	23-07-2003
			WO 0235058 A1	02-05-2002
			US 2002108756 A1	15-08-2002
WO 02086286	A	31-10-2002	WO 02086286 A2	31-10-2002
WO 03048521	A	12-06-2003	WO 03048521 A2	12-06-2003
			US 2004007364 A1	15-01-2004