



US00D742587S

(12) **United States Design Patent**
Masri

(10) **Patent No.:** **US D742,587 S**

(45) **Date of Patent:** **** Nov. 3, 2015**

(54) **HOOKAH**

(71) Applicant: **Rodney Masri**, Statesboro, GA (US)

(72) Inventor: **Rodney Masri**, Statesboro, GA (US)

(73) Assignee: **Rodney Masri**, Statesboro, GA (US)

(**) Term: **14 Years**

(21) Appl. No.: **29/455,477**

(22) Filed: **May 21, 2013**

(51) **LOC (10) Cl.** **27-02**

(52) **U.S. Cl.**
USPC **D27/162**

(58) **Field of Classification Search**
USPC D27/101, 102, 103, 104, 105, 118, 133,
D27/156, 162, 166, 167, 169, 194, 199;
131/173, 178, 220, 226, 235.1, 237.5,
131/240.1, 256, 328; 128/202.21; D9/440;
D7/523, 524, 532; D11/152, 153, 154
CPC A24F 1/30; A24F 1/00; A24F 2700/03;
A24F 13/06; A24F 1/14
See application file for complete search history.

(56) **References Cited**

U.S. PATENT DOCUMENTS

2,143,027 A * 1/1939 Perry 215/374
D156,921 S * 1/1950 Sloan D7/524
D431,418 S * 10/2000 Moran D7/523

D463,615 S * 9/2002 Habibi et al. D27/138
D539,978 S * 4/2007 Kassir D27/162
D548,398 S * 8/2007 Chaoui D27/162
D558,919 S * 1/2008 Kassir D27/162
D561,388 S * 2/2008 Kassir D27/162
D584,853 S * 1/2009 Kassir D27/162
D618,389 S * 6/2010 Masri D27/162
D658,539 S * 5/2012 Harshman D11/146
2012/0180803 A1 * 7/2012 Beloni 131/173
2014/0130811 A1 * 5/2014 Touzjian 131/173

* cited by examiner

Primary Examiner — Barbara Fox

Assistant Examiner — Chelsea Sealey

(74) *Attorney, Agent, or Firm* — IP Law Leaders

(57) **CLAIM**

The ornamental design for a hookah, as shown and described.

DESCRIPTION

FIG. 1 is a perspective view of a hookah showing my new design;

FIG. 2 is a front view thereof;

FIG. 3 is a back view thereof;

FIG. 4 is a left side view thereof;

FIG. 5 is a right side view thereof;

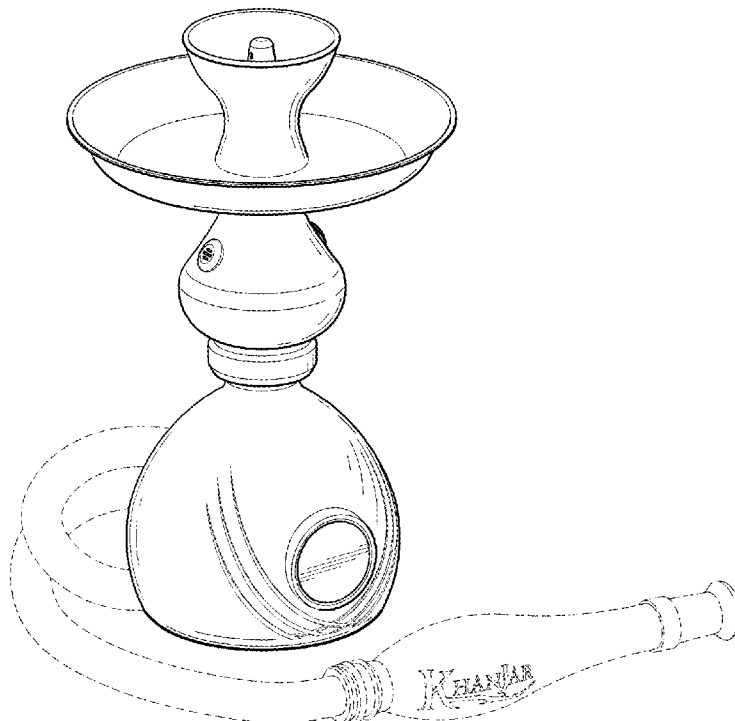
FIG. 6 is a top plan view thereof;

FIG. 7 is a bottom plan view thereof; and,

FIG. 8 is a perspective side view thereof.

The broken lines shown in FIGS. 1 and 6 show portions of the hookah which form no part of the claimed design.

1 Claim, 7 Drawing Sheets



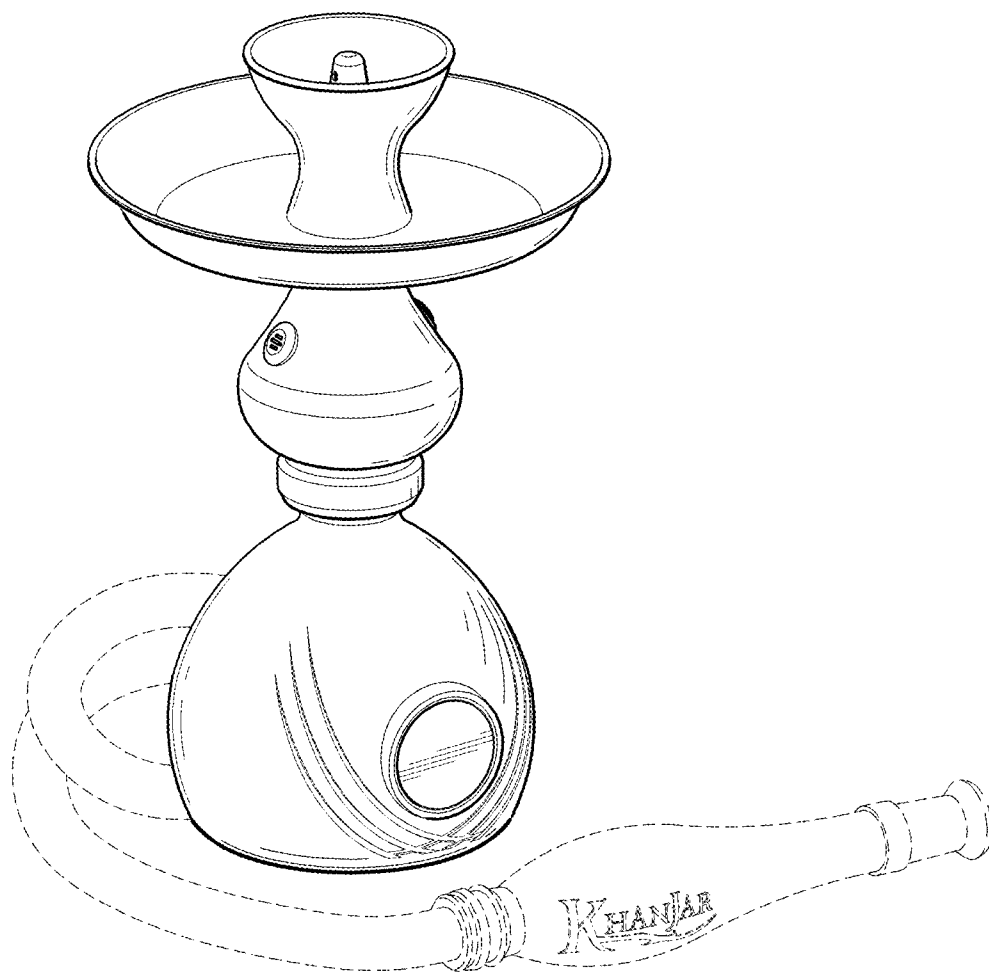


FIG. 1

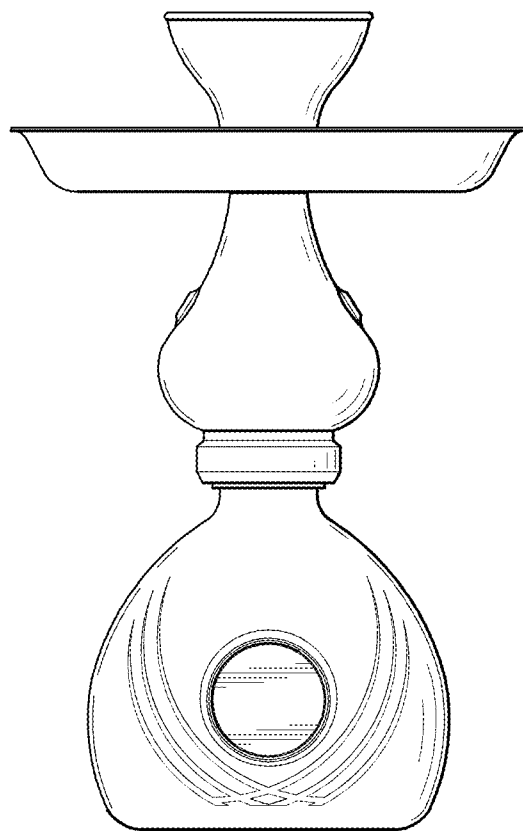


FIG. 2

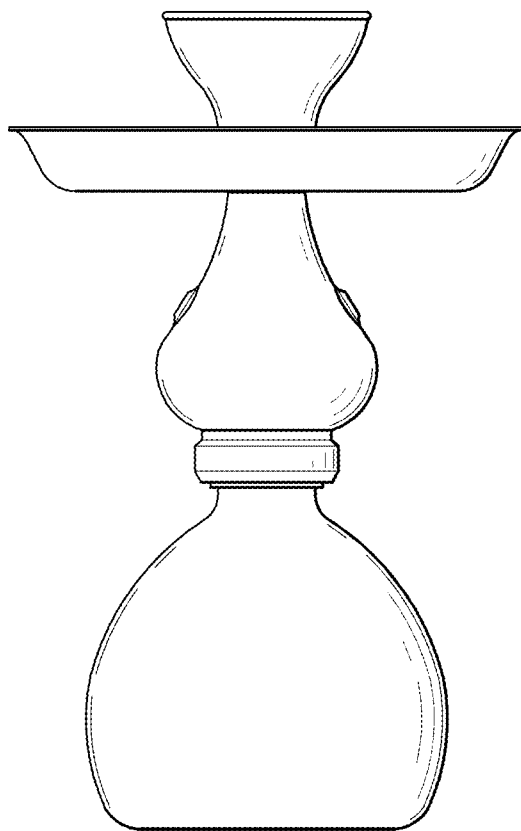


FIG. 3

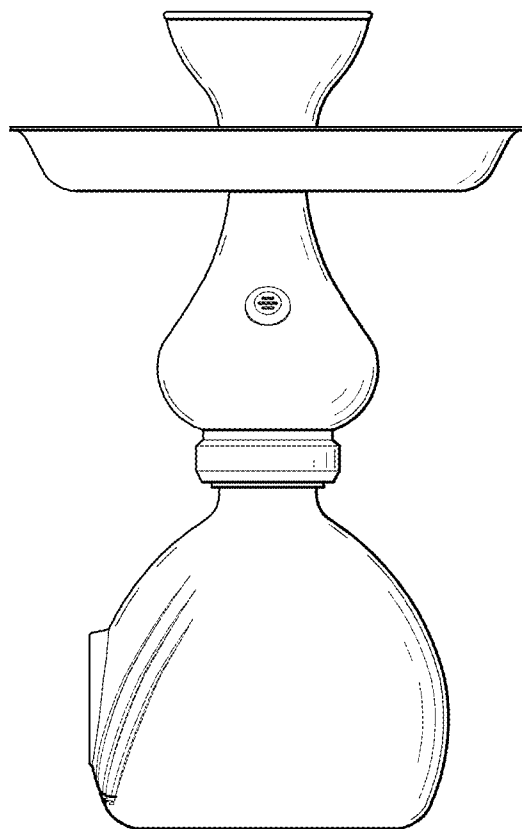


FIG. 4

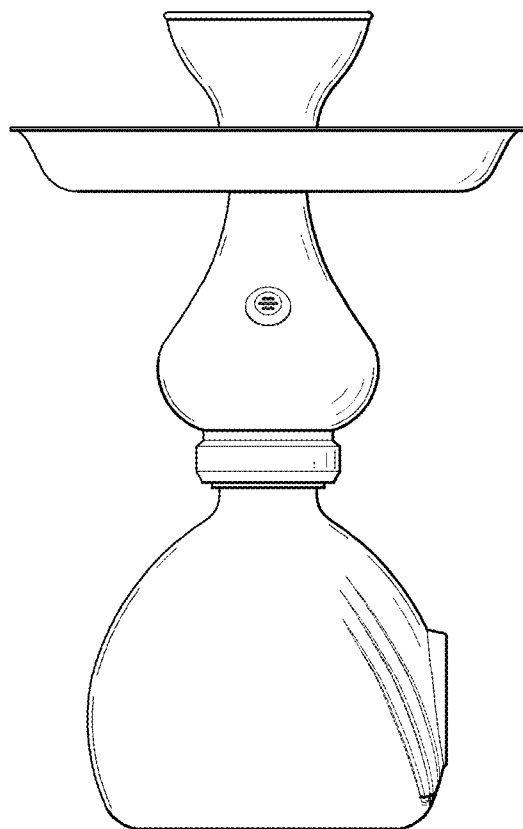


FIG. 5

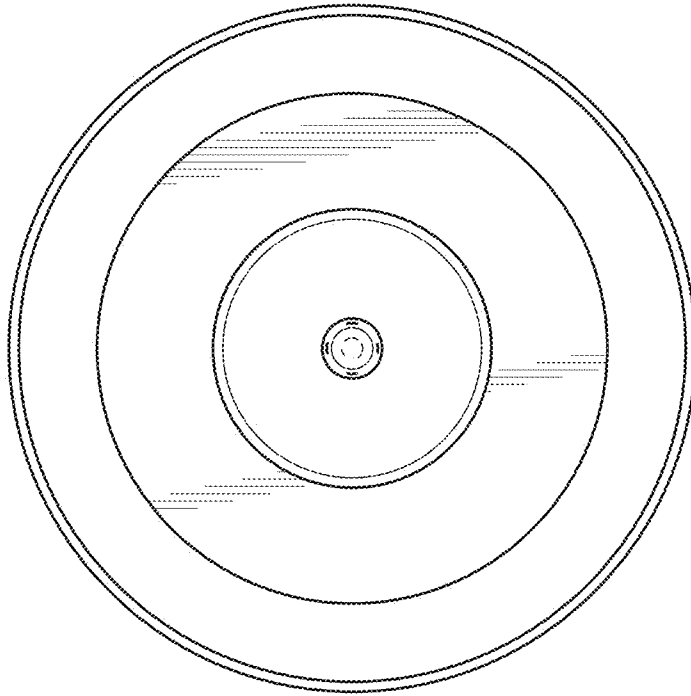


FIG. 6

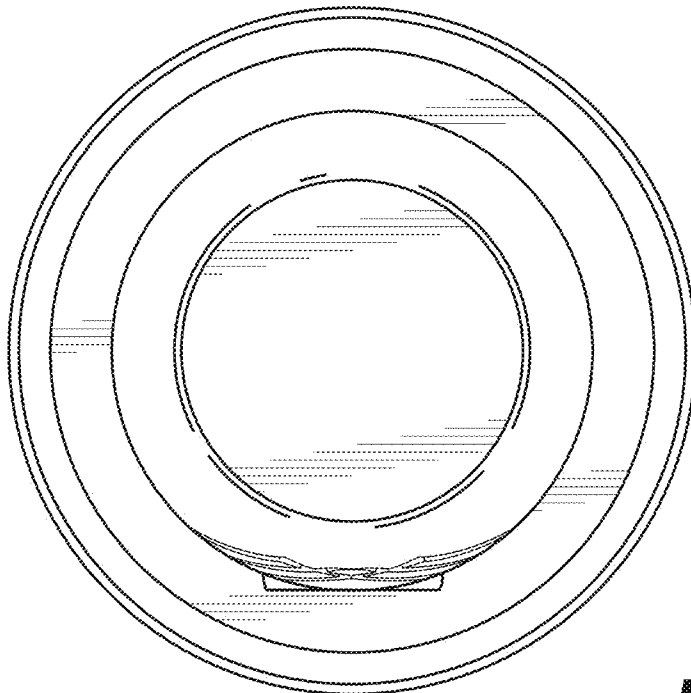


FIG. 7

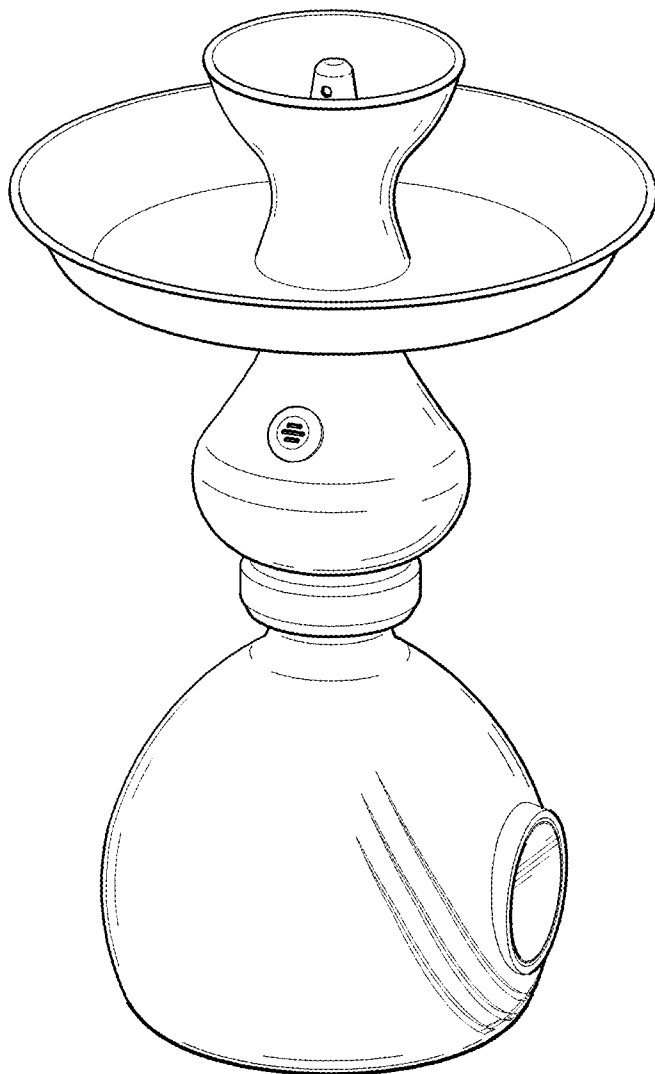


FIG. 8