

CORRECTED VERSION

(19) World Intellectual Property Organization
International Bureau



(10) International Publication Number
WO 2024/251390 A8

(43) International Publication Date
12 December 2024 (12.12.2024)

- (51) **International Patent Classification:**
H01J 37/147 (2006.01) H01J 37/22 (2006.01)
H01J 37/18 (2006.01)
- (21) **International Application Number:**
PCT/EP2024/025183
- (22) **International Filing Date:**
05 June 2024 (05.06.2024)
- (25) **Filing Language:** English
- (26) **Publication Language:** English
- (30) **Priority Data:**
10 2023 115 085.5
07 June 2023 (07.06.2023) DE
- (71) **Applicant:** CARL ZEISS MULTISEM GmbH [DE/DE];
Carl-Zeiss-Strasse 22, 73447 Oberkochen (DE).
- (72) **Inventors:** BALLING, Steffen; Carl-Zeiss-Strasse 22,
73447 Oberkochen (DE). SCHWARZ, Daniel; Rudolf-
Eber-Strasse 2, 73447 Oberkochen (DE). GNEDEL,
Maximilian; Rudolf-Eber-Strasse 2, 73447 Oberkochen
(DE). KLAMANDT, Samuel; Carl-Zeiss-Strasse 2, 73447

Oberkochen (DE). **SCHINDLER, Bernd**; Carl-Zeiss-
Strasse 2, 73447 Oberkochen (DE). **HAEBERLEN, Maik**;
Carl-Zeiss-Strasse 2, 73447 Oberkochen (DE).

(74) **Agent:** TESCH-BIEDERMANN, Carmen; Athene
Patent, Hanns-Schwindt-StraÙe 11, 81829 München (DE).

(81) **Designated States** (unless otherwise indicated, for every
kind of national protection available): AE, AG, AL, AM,
AO, AT, AU, AZ, BA, BB, BG, BH, BN, BR, BW, BY, BZ,
CA, CH, CL, CN, CO, CR, CU, CV, CZ, DJ, DK, DM, DO,
DZ, EC, EE, EG, ES, FI, GB, GD, GE, GH, GM, GT, HN,
HR, HU, ID, IL, IN, IQ, IR, IS, IT, JM, JO, JP, KE, KG,
KH, KN, KP, KR, KW, KZ, LA, LC, LK, LR, LS, LU, LY,
MA, MD, MG, MK, MN, MU, MW, MX, MY, MZ, NA,
NG, NI, NO, NZ, OM, PA, PE, PG, PH, PL, PT, QA, RO,
RS, RU, RW, SA, SC, SD, SE, SG, SK, SL, ST, SV, SY, TH,
TJ, TM, TN, TR, TT, TZ, UA, UG, US, UZ, VC, VN, WS,
ZA, ZM, ZW.

(84) **Designated States** (unless otherwise indicated, for every
kind of regional protection available): ARIPO (BW, CV,
GH, GM, KE, LR, LS, MW, MZ, NA, RW, SC, SD, SL, ST,
SZ, TZ, UG, ZM, ZW), Eurasian (AM, AZ, BY, KG, KZ,

(54) **Title:** METHOD FOR THE AUTOMATED MECHANICAL ADJUSTMENT OF A PARTICLE BEAM COLUMN, ASSOCIATED COMPUTER PROGRAM PRODUCT AND PARTICLE BEAM COLUMN

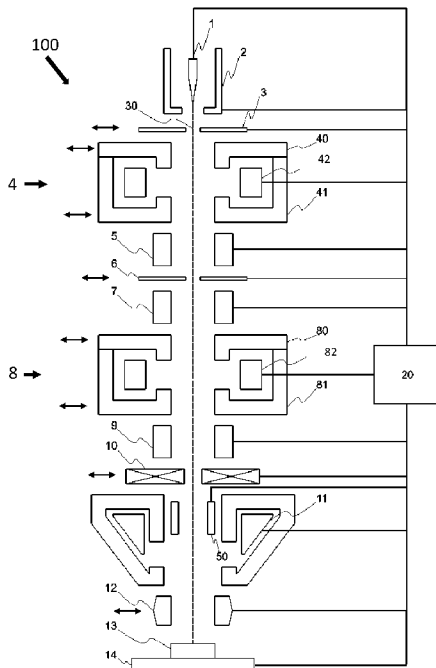


Fig. 1

(57) **Abstract:** The invention discloses multiple automated mechanical adjustment methods for a particle beam column. By way of example, a beam generator, a condenser lens system, a detection system and an objective lens system are thus able to be adjusted quickly and precisely. The mechanical adjustment methods may be combined with electrical adjustment methods.

WO 2024/251390 A8

RU, TJ, TM), European (AL, AT, BE, BG, CH, CY, CZ, DE, DK, EE, ES, FI, FR, GB, GR, HR, HU, IE, IS, IT, LT, LU, LV, MC, ME, MK, MT, NL, NO, PL, PT, RO, RS, SE, SI, SK, SM, TR), OAPI (BF, BJ, CF, CG, CI, CM, GA, GN, GQ, GW, KM, ML, MR, NE, SN, TD, TG).

Published:

— *with international search report (Art. 21(3))*

(48) Date of publication of this corrected version:

27 February 2025 (27.02.2025)

(15) Information about Correction:

see Notice of 27 February 2025 (27.02.2025)