



- (51) **International Patent Classification:**
B65D 5/54 (2006.01) *B65D 75/58* (2006.01)
- (21) **International Application Number:**
PCT/HU2016/000002
- (22) **International Filing Date:**
6 January 2016 (06.01.2016)
- (25) **Filing Language:** English
- (26) **Publication Language:** English
- (30) **Priority Data:**
U 1500001 8 January 2015 (08.01.2015) HU
- (71) **Applicant:** VAJDA PAPIR KFT [HU/HU]; Dunaharaszti, Némedi út 51, H-2330 (HU).
- (72) **Inventor:** PODLOVICS, István; Szigetszentmiklós, Szent Miklós út 10/d, 2. em. 9, H-2310 (HU).
- (74) **Agent:** DÓNUSZ, Katalin; SBGK Patent Attorneys, Andrássy út 113, H-1062 Budapest (HU).
- (81) **Designated States** (*unless otherwise indicated, for every kind of national protection available*): AE, AG, AL, AM, AO, AT, AU, AZ, BA, BB, BG, BH, BN, BR, BW, BY, BZ, CA, CH, CL, CN, CO, CR, CU, CZ, DE, DK, DM, DO, DZ, EC, EE, EG, ES, FI, GB, GD, GE, GH, GM, GT,

HN, HR, HU, ID, IL, IN, IR, IS, JP, KE, KG, KN, KP, KR, KZ, LA, LC, LK, LR, LS, LU, LY, MA, MD, ME, MG, MK, MN, MW, MX, MY, MZ, NA, NG, NI, NO, NZ, OM, PA, PE, PG, PH, PL, PT, QA, RO, RS, RU, RW, SA, SC, SD, SE, SG, SK, SL, SM, ST, SV, SY, TH, TJ, TM, TN, TR, TT, TZ, UA, UG, US, UZ, VC, VN, ZA, ZM, ZW.

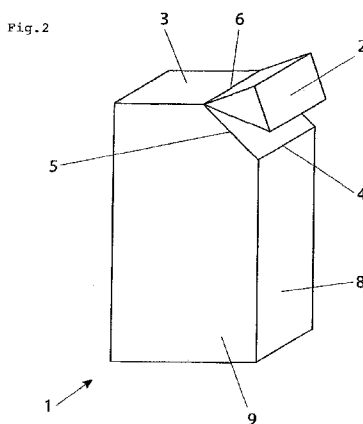
- (84) **Designated States** (*unless otherwise indicated, for every kind of regional protection available*): ARIPO (BW, GH, GM, KE, LR, LS, MW, MZ, NA, RW, SD, SL, ST, SZ, TZ, UG, ZM, ZW), Eurasian (AM, AZ, BY, KG, KZ, RU, TJ, TM), European (AL, AT, BE, BG, CH, CY, CZ, DE, DK, EE, ES, FI, FR, GB, GR, HR, HU, IE, IS, IT, LT, LU, LV, MC, MK, MT, NL, NO, PL, PT, RO, RS, SE, SI, SK, SM, TR), OAPI (BF, BJ, CF, CG, CI, CM, GA, GN, GQ, GW, KM, ML, MR, NE, SN, TD, TG).

- Published:**
- with international search report (Art. 21(3))
 - before the expiration of the time limit for amending the claims and to be republished in the event of receipt of amendments (Rule 48.2(h))
- (88) **Date of publication of the international search report:**
6 October 2016



WO 2016/110723 A3

(54) **Title:** PACKAGING FOR HOUSEHOLD AND HYGIENE PAPER PRODUCTS



(57) **Abstract:** The invention relates to a packaging for household and hygiene paper products, comprising a closed plastic film encompassing a paper bundle that forms a rectangular block. The packaging according to the invention is characterised in that the plastic film (1) comprises a weakening line extending parallel with a first side (3) of the packaging and consisting of a first edge section (4) that is adapted to be ripped open and is situated at a second side (8) of the packaging at a given distance from said first side (3), and second edge sections (5) connecting the first edge section (4) with the first side (3) of the packaging that are also adapted to be ripped open and are situated at a third side (9) of the packaging, where a flap (2) is formed on the packaging after the edge sections (4, 5) have been ripped open, the flap (2) being adapted to be either folded upwards and back along a folding edge (6) lying in the plane of the first side (3) of the packaging or removed if so desired.

INTERNATIONAL SEARCH REPORT

International application No
PCT/HU2016/000002

A. CLASSIFICATION OF SUBJECT MATTER
INV. B65D5/54 B65D75/58
ADD.

According to International Patent Classification (IPC) or to both national classification and IPC

B. FIELDS SEARCHED

Minimum documentation searched (classification system followed by classification symbols)
B65D

Documentation searched other than minimum documentation to the extent that such documents are included in the fields searched

Electronic data base consulted during the international search (name of data base and, where practicable, search terms used)

EPO-Internal, WPI Data

C. DOCUMENTS CONSIDERED TO BE RELEVANT

Category*	Citation of document, with indication, where appropriate, of the relevant passages	Relevant to claim No.
X	US 2002/112982 A1 (STAGRAY ERIN D [US] ET AL) 22 August 2002 (2002-08-22) paragraph [0022] - paragraph [0030]; claims 1,5,6; figures 1-9 -----	1-3
X	EP 2 017 192 A1 (SCA HYGIENE PROD AB [SE]) 21 January 2009 (2009-01-21) paragraph [0037] - paragraph [0054]; claims 1,4-6; figures 1-10 -----	1-3
X	US 4 966 286 A (MUCKENFUHS DELMAR R [US]) 30 October 1990 (1990-10-30) column 5, line 34 - column 9, line 43; claims 1-22; figures 1-3a -----	1-3
	-/--	

Further documents are listed in the continuation of Box C.

See patent family annex.

* Special categories of cited documents :

"A" document defining the general state of the art which is not considered to be of particular relevance

"E" earlier application or patent but published on or after the international filing date

"L" document which may throw doubts on priority claim(s) or which is cited to establish the publication date of another citation or other special reason (as specified)

"O" document referring to an oral disclosure, use, exhibition or other means

"P" document published prior to the international filing date but later than the priority date claimed

"T" later document published after the international filing date or priority date and not in conflict with the application but cited to understand the principle or theory underlying the invention

"X" document of particular relevance; the claimed invention cannot be considered novel or cannot be considered to involve an inventive step when the document is taken alone

"Y" document of particular relevance; the claimed invention cannot be considered to involve an inventive step when the document is combined with one or more other such documents, such combination being obvious to a person skilled in the art

"&" document member of the same patent family

Date of the actual completion of the international search

31 May 2016

Date of mailing of the international search report

17/08/2016

Name and mailing address of the ISA/
European Patent Office, P.B. 5818 Patentlaan 2
NL - 2280 HV Rijswijk
Tel. (+31-70) 340-2040,
Fax: (+31-70) 340-3016

Authorized officer

Janosch, Joachim

INTERNATIONAL SEARCH REPORT

International application No PCT/HU2016/000002

C(Continuation). DOCUMENTS CONSIDERED TO BE RELEVANT

Category*	Citation of document, with indication, where appropriate, of the relevant passages	Relevant to claim No.
X	DE 20 2009 008422 U1 (KUNSTSTOFFWERK BOSSEL GERD KNA [DE]) 20 August 2009 (2009-08-20) paragraph [0047] - paragraph [0064]; claims 1-5; figures 10-17 -----	1-3
A	US 1 541 143 A (RICHARD HOILE) 9 June 1925 (1925-06-09) page 1, line 84 - page 2, line 68; claims 1-10; figures 5-10 -----	1-3

INTERNATIONAL SEARCH REPORT

International application No.
PCT/HU2016/000002

Box No. II Observations where certain claims were found unsearchable (Continuation of item 2 of first sheet)

This international search report has not been established in respect of certain claims under Article 17(2)(a) for the following reasons:

1. Claims Nos.:
because they relate to subject matter not required to be searched by this Authority, namely:

2. Claims Nos.:
because they relate to parts of the international application that do not comply with the prescribed requirements to such an extent that no meaningful international search can be carried out, specifically:

3. Claims Nos.:
because they are dependent claims and are not drafted in accordance with the second and third sentences of Rule 6.4(a).

Box No. III Observations where unity of invention is lacking (Continuation of item 3 of first sheet)

This International Searching Authority found multiple inventions in this international application, as follows:

see additional sheet

1. As all required additional search fees were timely paid by the applicant, this international search report covers all searchable claims.

2. As all searchable claims could be searched without effort justifying an additional fees, this Authority did not invite payment of additional fees.

3. As only some of the required additional search fees were timely paid by the applicant, this international search report covers only those claims for which fees were paid, specifically claims Nos.:

4. No required additional search fees were timely paid by the applicant. Consequently, this international search report is restricted to the invention first mentioned in the claims; it is covered by claims Nos.:

1-3

Remark on Protest

- The additional search fees were accompanied by the applicant's protest and, where applicable, the payment of a protest fee.
- The additional search fees were accompanied by the applicant's protest but the applicable protest fee was not paid within the time limit specified in the invitation.
- No protest accompanied the payment of additional search fees.

FURTHER INFORMATION CONTINUED FROM PCT/ISA/ 210

This International Searching Authority found multiple (groups of) inventions in this international application, as follows:

1. claims: 1-3

A packaging of which the first side of the packaging is formed by the smallest face of the rectangular block, the second side of the packaging being formed by one of the larger faces perpendicular to the first side; and the third side of the packaging being formed by the largest face.

2. claims: 4, 11

A packaging of which the folding edge (6) lying at the plane of the first side of the packaging comprises a weakening line to make the flap (2) removable.

3. claims: 5-7, 12

A packaging where the weakening line consisting of the first edge section (4) and the second edge section (5), as well as the weakening line of the folding edge (6), is implemented as a perforated line.

4. claims: 8-10

A packaging where the plastic film (1) is made from a polymeric material.

INTERNATIONAL SEARCH REPORT

Information on patent family members

International application No

PCT/HU2016/000002

Patent document cited in search report	Publication date	Patent family member(s)	Publication date
US 2002112982 A1	22-08-2002	MX PA02001933 A US 2002112982 A1	21-04-2004 22-08-2002

EP 2017192 A1	21-01-2009	AU 2008280227 A1 CO 6260122 A2 EP 2017192 A1 EP 2170726 A1 US 2011048994 A1 WO 2009013165 A1	29-01-2009 22-03-2011 21-01-2009 07-04-2010 03-03-2011 29-01-2009

US 4966286 A	30-10-1990	AT 117964 T BR 9002996 A CA 2019715 A1 DE 69016518 D1 DE 69016518 T2 DK 0406928 T3 EP 0406928 A1 ES 1016960 U ES 2066955 T3 GR 3014949 T3 JP 3048599 B2 JP H0398848 A MX 174287 B US 4966286 A	15-02-1995 20-08-1991 26-12-1990 16-03-1995 01-06-1995 27-03-1995 09-01-1991 16-12-1991 16-03-1995 31-05-1995 05-06-2000 24-04-1991 03-05-1994 30-10-1990

DE 202009008422 U1	20-08-2009	NONE	

US 1541143 A	09-06-1925	NONE	
