

(19) World Intellectual Property Organization
International Bureau



(43) International Publication Date
3 March 2005 (03.03.2005)

PCT

(10) International Publication Number
WO 2005/018735 A3

- (51) **International Patent Classification:**
A61N 5/10 (2006.01) G21F 5/02 (2006.01)
- (21) **International Application Number:**
PCT/US2004/026113
- (22) **International Filing Date:** 12 August 2004 (12.08.2004)
- (25) **Filing Language:** English
- (26) **Publication Language:** English
- (30) **Priority Data:**
60/494,699 12 August 2003 (12.08.2003) US
60/579,095 10 June 2004 (10.06.2004) US
- (71) **Applicant (for all designated States except US):** LOMA LINDA UNIVERSITY MEDICAL CENTER [US/US]; 24888 Prospect Street, Loma Linda, CA 92350 (US).
- (72) **Inventors:** RIGNEY, Nick; 1381 Milburn Avenue, Redlands, CA 92373 (US). ANDERSON, Dan; 11194 San Lucas, Loma Linda, CA 92354 (US). LESYNA, David; 1310 Mills Avenue, Redlands, CA 92373 (US). MILLER, Dan; 12435 14th Street, Yucaipa, CA 92399 (US). MOYERS, Michael; 3017 Shadid Drive, Colton, CA 92324 (US). CHENG, Chieh; 25965 Redlands Boulevard, Apt. A, Redlands, CA 92373 (US). BAUMANN,

Mike; 20842 Oakdale Lane, Riverside, CA 92508 (US). MCALLASTER, Steven; 10730 Church Street, Apt. 256, Rancho Cucamonga, CA 91730 (US). SLATER, Jerry; 1210 Highland Avenue, Redlands, CA 92373 (US).

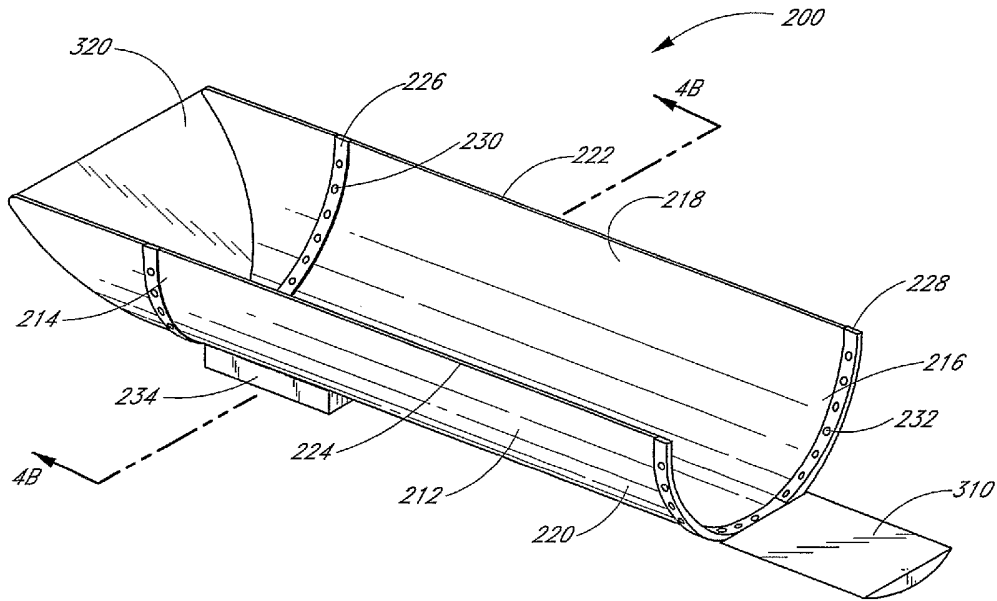
(74) **Agent:** ALTMAN, Daniel, E.; Knobbe, Martens, Olson & Bear, LLP, 2040 Main Street, Fourteenth Floor, Irvine, CA 92614 (US).

(81) **Designated States (unless otherwise indicated, for every kind of national protection available):** AE, AG, AL, AM, AT, AU, AZ, BA, BB, BG, BR, BW, BY, BZ, CA, CH, CN, CO, CR, CU, CZ, DE, DK, DM, DZ, EC, EE, EG, ES, FI, GB, GD, GE, GH, GM, HR, HU, ID, IL, IN, IS, JP, KE, KG, KP, KR, KZ, LC, LK, LR, LS, LT, LU, LV, MA, MD, MG, MK, MN, MW, MX, MZ, NA, NI, NO, NZ, OM, PG, PH, PL, PT, RO, RU, SC, SD, SE, SG, SK, SL, SY, TJ, TM, TN, TR, TT, TZ, UA, UG, US, UZ, VC, VN, YU, ZA, ZM, ZW.

(84) **Designated States (unless otherwise indicated, for every kind of regional protection available):** ARIPO (BW, GH, GM, KE, LS, MW, MZ, NA, SD, SL, SZ, TZ, UG, ZM, ZW), Eurasian (AM, AZ, BY, KG, KZ, MD, RU, TJ, TM), European (AT, BE, BG, CH, CY, CZ, DE, DK, EE, ES, FI, FR, GB, GR, HU, IE, IT, LU, MC, NL, PL, PT, RO, SE,

[Continued on next page]

(54) **Title:** MODULAR PATIENT SUPPORT SYSTEM



(57) **Abstract:** A radiation treatment system (100) for accurately delivering radiation to a targeted site within a cancer patient (108) that includes a modular patient support system and a patient positioner (114). The modular patient support system includes a modularly expandable patient pod (200) and at least one immobilization device, such as, for example, a rigid moldable foam cradle. The patient pod (200) includes a generally hemi-cylindrical support shell (12) that extends longitudinally between proximal edge (214) and distal edge (216), and transversely between two lateral edges. In one embodiment, the lateral edges are tapered to minimize edge effects that result when radiation beams traverse the lateral edges.

WO 2005/018735 A3



SI, SK, TR), OAPI (BF, BJ, CF, CG, CI, CM, GA, GN, GQ, GW, ML, MR, NE, SN, TD, TG).

(88) Date of publication of the international search report:
28 December 2006

Published:

- *with international search report*
- *before the expiration of the time limit for amending the claims and to be republished in the event of receipt of amendments*

For two-letter codes and other abbreviations, refer to the "Guidance Notes on Codes and Abbreviations" appearing at the beginning of each regular issue of the PCT Gazette.

INTERNATIONAL SEARCH REPORT

International application No.
PCT/US04/26113

A. CLASSIFICATION OF SUBJECT MATTER
 IPC: A61N 5/10(2006.01);G21F 5/02(2006.01)

 USPC: 250/492.3;378/65
 According to International Patent Classification (IPC) or to both national classification and IPC

B. FIELDS SEARCHED
 Minimum documentation searched (classification system followed by classification symbols)
 U.S. : 250/492.3; 378/65

 Documentation searched other than minimum documentation to the extent that such documents are included in the fields searched

 Electronic data base consulted during the international search (name of data base and, where practicable, search terms used)

C. DOCUMENTS CONSIDERED TO BE RELEVANT

Category *	Citation of document, with indication, where appropriate, of the relevant passages	Relevant to claim No.
A	US 5,446,548 (GERIG et al) 29 August 1995 (29.08.1995) whole document	1-44
A	US 6,405,072 (CLARK et al) 11 June 2002 (11.06.2002) whole document	1-44

Further documents are listed in the continuation of Box C. See patent family annex.

* Special categories of cited documents:	"T" later document published after the international filing date or priority date and not in conflict with the application but cited to understand the principle or theory underlying the invention
"A" document defining the general state of the art which is not considered to be of particular relevance	"X" document of particular relevance; the claimed invention cannot be considered novel or cannot be considered to involve an inventive step when the document is taken alone
"E" earlier application or patent published on or after the international filing date	"Y" document of particular relevance; the claimed invention cannot be considered to involve an inventive step when the document is combined with one or more other such documents, such combination being obvious to a person skilled in the art
"L" document which may throw doubts on priority claim(s) or which is cited to establish the publication date of another citation or other special reason (as specified)	"&" document member of the same patent family
"O" document referring to an oral disclosure, use, exhibition or other means	
"P" document published prior to the international filing date but later than the priority date claimed	

Date of the actual completion of the international search 05 September 2006 (05.09.2006)	Date of mailing of the international search report 24 OCT 2006
Name and mailing address of the ISA/US Mail Stop PCT, Attn: ISA/US Commissioner for Patents P.O. Box 1450 Alexandria, Virginia 22313-1450 Facsimile No. (571) 273-3201	Authorized officer Nikita Wells Telephone No. (571)272-2484