

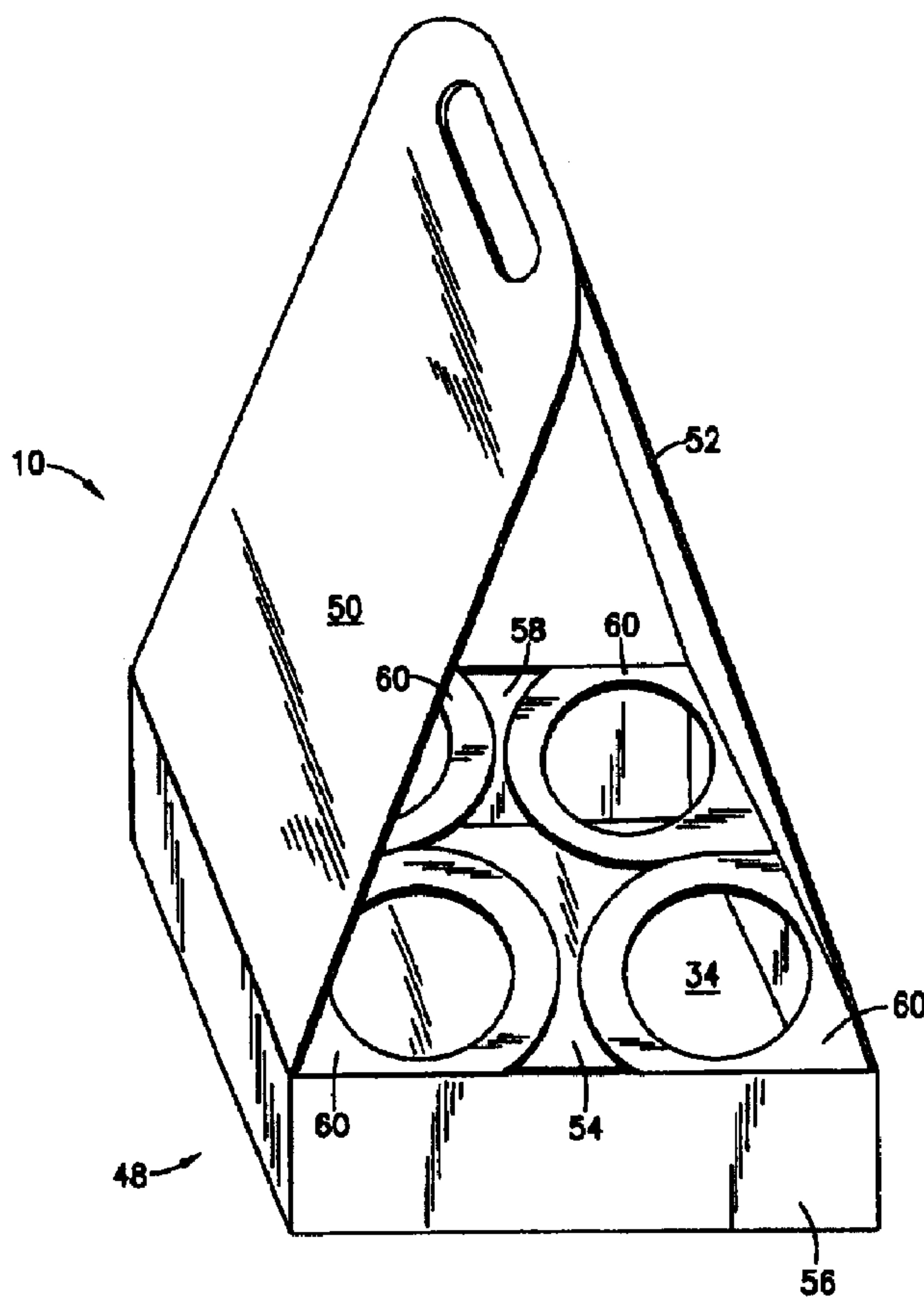


(72) CUTLER, DONNA, US
(72) LINDSTROM, PER-AXEL, US
(72) CARMICHAEL, JOSEPH, US
(71) CUTLER, DONNA, US
(71) LINDSTROM, PER-AXEL, US
(71) CARMICHAEL, JOSEPH, US

(51) Int.Cl.⁶ B65D 77/00

(54) **STRUCTURE DE TRANSPORT D'ALIMENTS ET DE BOISSONS**

(54) **FOOD AND BEVERAGE CARRIER**



(57) Cette invention se rapporte à une ébauche en carton pouvant être rangée à plat et qui est prête à être pliée pour se transformer en une structure de transport d'aliments et de boissons à symétrie double (10) pliable sélectivement pour former une boîte droite ayant des panneaux de poignées s'étendant vers le haut (50, 52) et des parois

(57) A paperboard blank storable in a flat condition ready for folding into a dual-configuration food and beverage carrier (10), selectively folded into an upright box with upward-extending handle panels (50, 52) and end walls (56, 68) with the handle panels extending from a box base around side walls and meeting over the box as a



terminales (56, 68), les panneaux de poignées partant de la base de la boîte pour longer les parois latérales et se rencontrer au-dessus de la boîte en formant une poignée. Lorsque les panneaux de poignées sont pliés en direction et autour des parois latérales de la base, cette structure de support est conçue pour renfermer des aliments placés dans la structure et elle peut en même temps contenir, en vue de leur transport, un ou plusieurs gobelets placés dans des ouvertures de grandeur appropriée, ménagées dans la base. La structure en forme de boîte est créée par les panneaux de poignées et par des premier et second panneaux latéraux, ces panneaux latéraux et lesdits panneaux de poignées étant reliés par plusieurs membranes fixées à l'un des panneaux latéraux et à un panneau de poignée adjacent, de telle sorte que, lorsque les panneaux de poignées sont poussés dans une position droite, les panneaux latéraux sont tirés vers le haut pour former la structure en forme de boîte, ou vice-versa. On peut prévoir des stabilisateurs de gobelets (60) qui basculent vers le bas dans une position située, par rapport aux panneaux de poignées, au-dessus de la structure en forme de boîte, en vue de servir de support aux gobelets placés dans la boîte.

handle. When handle panels are folded toward and around the base side walls, the carrier is disposed to enclose foodstuffs placed in the carrier and simultaneously capable of carrying one or two cups placed through appropriately sized openings in the base. A box structure is created by handle panels and first and second side panels, the side panels and handle panels being connected by a plurality of webs attached to one of the side panels and an adjoining handle panel such that when the handle panels are urged in an upright direction the side panels are pulled up to form the box-like structure, or vice-versa. Cup stabilizers (60) may be provided that hinge down into position from the handle panels over the box-like structure for supporting cups placed in the box.

PCT

WORLD INTELLECTUAL PROPERTY ORGANIZATION
International Bureau

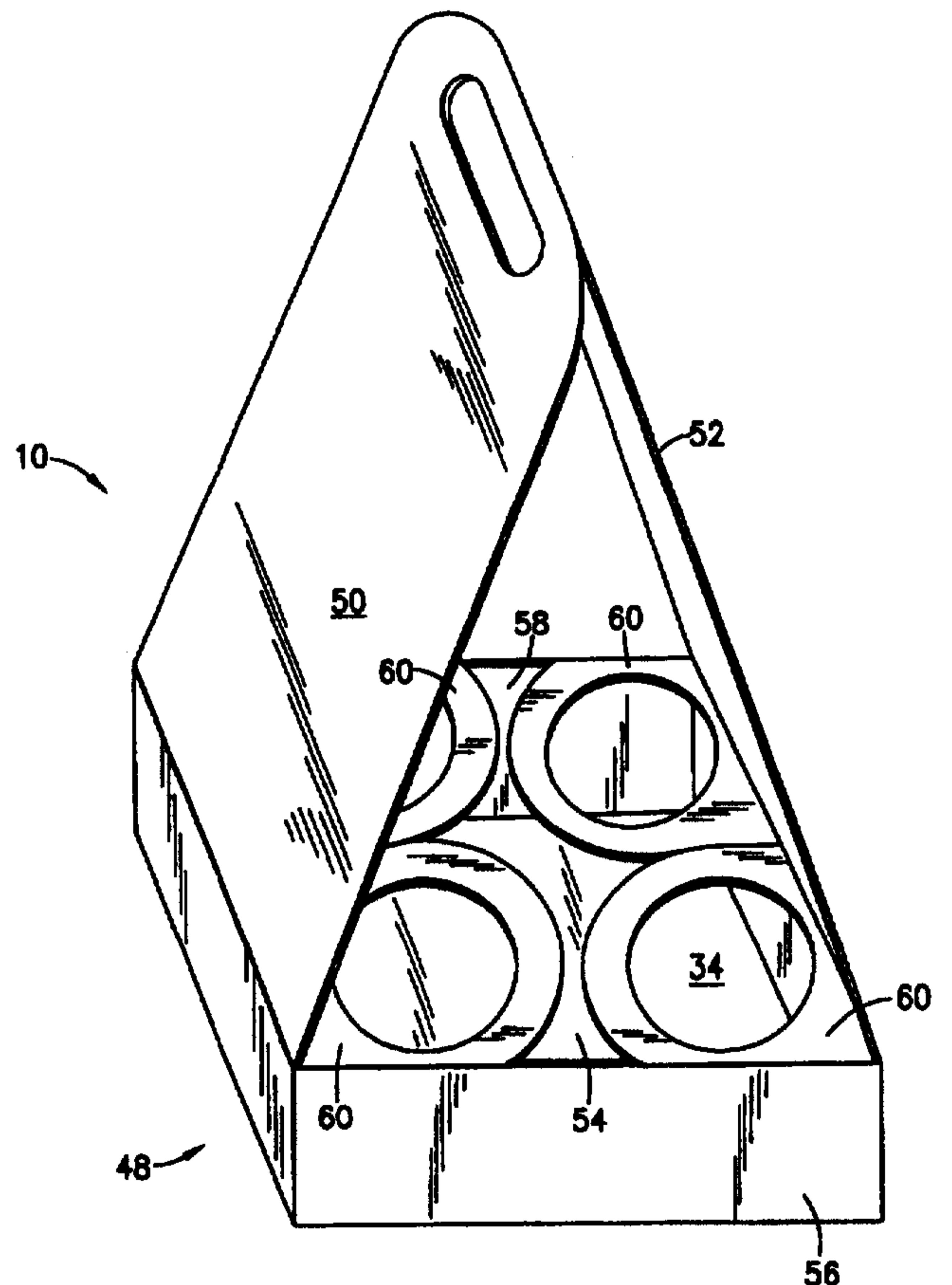
INTERNATIONAL APPLICATION PUBLISHED UNDER THE PATENT COOPERATION TREATY (PCT)

(51) International Patent Classification ⁶ : B65D 77/00	A1	(11) International Publication Number: WO 99/54226 (43) International Publication Date: 28 October 1999 (28.10.99)
<p>(21) International Application Number: PCT/US98/07692</p> <p>(22) International Filing Date: 17 April 1998 (17.04.98)</p> <p>(71)(72) Applicants and Inventors: CUTLER, Donna [US/US]; 135 10th Avenue, Kirkland, WA 98033 (US). LINDSTROM, Per-Axel [US/US]; P.O. Box 9848, Seattle, WA 98109-1848 (US). CARMICHAEL, Joseph [US/US]; 15333 61st Place N.E., Bothell, WA 98011 (US).</p> <p>(74) Agent: GRIFFITHS, Paul, L.; P.O. Box 935, Monroe, CT 06468-0935 (US).</p>	<p>(81) Designated States: AL, AU, BB, BG, BR, CA, CN, CZ, EE, GE, HU, IL, IS, JP, KP, KR, KZ, LK, LR, LT, LV, MG, MK, MN, MX, NO, NZ, PL, RO, SG, SI, SK, TR, TT, UA, UZ, VN, ARIPO patent (GH, GM, KE, LS, MW, SD, SZ, UG, ZW), Eurasian patent (AM, AZ, BY, KG, KZ, MD, RU, TJ, TM), European patent (AT, BE, CH, CY, DE, DK, ES, FI, FR, GB, GR, IE, IT, LU, MC, NL, PT, SE), OAPI patent (BF, BJ, CF, CG, CI, CM, GA, GN, ML, MR, NE, SN, TD, TG).</p> <p>Published <i>With international search report.</i></p>	

(54) Title: FOOD AND BEVERAGE CARRIER

(57) Abstract

A paperboard blank storable in a flat condition ready for folding into a dual-configuration food and beverage carrier (10), selectively folded into an upright box with upward-extending handle panels (50, 52) and end walls (56, 68) with the handle panels extending from a box base around side walls and meeting over the box as a handle. When handle panels are folded toward and around the base side walls, the carrier is disposed to enclose foodstuffs placed in the carrier and simultaneously capable of carrying one or two cups placed through appropriately sized openings in the base. A box structure is created by handle panels and first and second side panels, the side panels and handle panels being connected by a plurality of webs attached to one of the side panels and an adjoining handle panel such that when the handle panels are urged in an upright direction the side panels are pulled up to form the box-like structure, or vice-versa. Cup stabilizers (60) may be provided that hinge down into position from the handle panels over the box-like structure for supporting cups placed in the box.



WO 99/54226

PCT/US98/07692

FOOD AND BEVERAGE CARRIER

BACKGROUND OF THE INVENTION

1. Field Of The Invention

5 The present invention relates to food and beverage vessel, or cup, carriers and more particularly to foldable paperboard carriers with cup holders and a handle.

2. Background Information

10 It is known in the art to have paperboard food and cup carriers. Such carriers are common for carrying food and drinks from a food provider, such as a fast food restaurant or a sports stadium. It is customary that such carriers provide at least one opening for holding a cup. Above and attached to the base is commonly a handle panel comprising a panel extending up the middle of the base with holes for cups on each side of the panel with a hole near the top of the panel through which a user's hand can pass in carrying the carrier.

15 With cups that hold beverages carried outside the handle panel, fluid from the cups may easily spill from the cups. Foodstuffs fall from carriers lacking enclosing side walls. None of the previous paperboard folding cup carriers have splash protection and enclosing side walls.

20 It is also unknown to have a collapsible, dual-configuration carrier which serves as a food and beverage carrier in one configuration and as a sturdy beverage cup carrier when folded into a second configuration. Previous collapsible paperboard carriers are well suited for the purpose they were designed. Each may have its own advantage. For example, carriers may have apertures in a base for receiving beverage cups, which is convenient for its use but is less advantageous for use as a food carrier. Conversely, carriers may have an integral box without openings for receiving food stuffs but are less suited for use as a beverage carrier without a way to stabilize

WO 99/54226

PCT/US98/07692

cups in the carrier.

An object of the present invention is to provide a carrier versatile in use as either an integral upright box without cup openings and adaptable to receive and stabilize cups in the box. Another object of the invention is to have a paperboard blank that is generally flat in a stored condition and easily folded into a sturdy carrier when in use. It is yet another object of the present invention to provide a foodstuffs carrier supported at its bottom for strength and stability. It is a further object that the carrier include a handle from which the carrier hangs. It is also an object of the present invention that the carrier provides a bottom strengthened to prevent collapse or folding under a load of cups and also supported by handles from which the carrier hangs during use.

SUMMARY OF THE INVENTION

These objects are achieved in a food and beverage carrier of this invention which presents a dual-configuration, collapsible food carrier, adapted as a side-walled carrier when folded into a first configuration and as a beverage cup or ice cream cone carrier when folded into a second configuration. The carrier is typically formed from flat paper stock cut and marked with fold lines for ease in assembly of a carrier with splash protection with a stable base section supported by two handle panels hinged respectively from opposite sides of the base joining at their distal ends to form a triangular structure over the base. In the first configuration, the box is upright, and the handle panels fold upward around the upright box, the box forming a tray with walls around its perimeter to retain foodstuffs placed therein. Independently from foodstuff retaining walls, the carrier is supported by the handles at its base where the carrier load is focussed while separately providing enclosing side and end walls.

In the second configuration, the handle panels hinge from the base sides and are disposed to fold over cups (or cones) placed in holes in the base with the carrier essentially comprising

WO 99/54226

PCT/US98/07692

an inverted box hanging from its base from the handle panels and strengthened by circumferential side and end walls depending downward from the base to assure structural integrity of the carrier under heavy load conditions. That is, in the second configuration, the side and end walls prevent the base from collapsing or folding when loaded by strengthening the base ends.

In another embodiment, a carrier is efficiently produced from paperboard stock and is simpler to fold into an in-use condition. A bottom panel has a handle panel attached to each of two opposite edges thereof and a side panel attached to the other edges. The side panels each include a web that extends beyond the bottom panel's edges. Each web includes a diagonal fold line. In a stored condition the side panels are folded over the bottom panel and generally in contact therewith. A portion of each web is attached to each handle panel with another portion overlying each handle panel. A cup stabilizer ring is attached to either an edge of that portion of each web that is attached to the handle panel or to a handle panel itself. In operation as either the handle panels or the side panels are pushed or pulled in an upright direction the other panels are urged into position by action of the webs folding onto themselves along the diagonal fold line. Once in an upright position the cup stabilizers may be folded down into a position above the bottom panel, each stabilizer having an appropriately sized opening for receiving a cup. In preferred form, the bottom panel, handle panels, and side panels are integral being cut from a single sheet of paperboard. Each side panel is also integral with its pair of webs with an edge of each web also being integral with a handle panel. A triangular portion of each web being glued to its respective handle panel. The cup stabilizers are also integral, along a fold line, with their respective webs. In this manner only one cutting die is required with four triangular portions of the webs being glued to respective side panels.

In another embodiment, only one side panel is used. That side panel having a pair of webs

WO 99/54226

PCT/US98/07692

attached to its outer edges and is connected to an opposite side panel via a cup stabilizing panel, the opposite side panel being attached to the bottom panel at its lower edge and to the cup stabilizing panel at its upper edge. In this embodiment each side panel is made integral with the bottom panel, the webs are integral with a respective side panel and handle panels, the opposite side panel is integral with the bottom panel and the cup stabilizing panel is integral to one side panel and glued to a tab on an opposite side panel. As the handle panels are urged into an upright position, the webs fold along their diagonal fold lines and push the side panel up into position which also pulls the opposite side panel into position via the cup stabilizing panel.

In all of the above embodiments, a box-like structure is formed having handle panels extending upwardly from a bottom panel providing superior strength and stability. The handle panels extend upwardly above the box-like structure to provide a convenient single handle for carrying while protecting the contents.

BRIEF DESCRIPTION OF THE DRAWINGS

In the drawings, like reference characters designate like parts throughout the several views, and:

FIG. 1 is a front perspective view of an assembled beverage vessel carrier in a first and primary configuration,

FIG. 2 is a front perspective view of an assembled beverage vessel carrier in a second, or alternate, configuration,

FIG. 3 is a front perspective view of the beverage vessel with the stabilizing arms yet to be interlocked,

FIG. 4 is a plan view of a blank with fold lines marked,

FIG. 5 is a perspective view of an assembled and folded for use food and cup carrier

WO 99/54226

PCT/US98/07692

showing a two-place cup holder,

FIG. 6 is a perspective view of an assembled and folded for use food and cup carrier showing a four-place cup holder,

FIG. 7 is a plan view of a blank before folding and gluing into a food and cup carrier in
5 a stored condition,

FIG. 8 is a plan view of a blank folded and glued into an as stored condition ready to be folded up into an in use condition,

FIG. 9 is a partial pictorial showing one corner of a food and cup carrier with a web in a partially folded condition depicting the relationship between a side panel, a bottom panel, and
10 a handle panel, and

FIG. 10 is a plan view of another embodiment showing a blank ready for assembly having a pair of webs.

DESCRIPTION OF THE PREFERRED EMBODIMENTS

15 Referring to the figures, shown in Fig. 1 is a beverage vessel carrier 10. The present invention comprises a blank adapted to be folded into a box including a base 12 with at least one hole 14 having opposite base sides 18 and 20 and having opposite base ends 32 and 34 of width, 2B, and having end walls 28 and 30 depending from base ends 32 and 34. A pair of side wall arms 38 attach to each of the end walls 28 and 30, the width of the arms 38 on the end walls 28,
20 30 being within a distance, A, from the base ends 32, 34. Each side wall arm 38 is disposed to interlock with a side wall arm attached to an opposite end wall when the blank is folded, therein forming side walls 44. Thus, the end walls and side walls form an open box with the base as its bottom.

Side arms 38 are interlocked by means of matching slits in the side arms 38 with an arm

WO 99/54226

PCT/US98/07692

from one end wall overlapping an opposing arm from an opposite end wall, a slit from one arm meshing with a matching slit in the other arm to form a side wall on each base side, the side and end walls forming a box with the base as its bottom.

A pair of handle panels 16 extend from opposite base sides 18, 20, one panel from each
5 of the base sides, a distance from the base sides 18, 20 substantially greater than the sum of distances A and 2B such that the panels 16 are foldable alongside and around respective adjacent side walls 44 when the carrier is assembled, joining together at their distal ends to form a handle over the open box. The box is thereby covered by the handle panels 16 and supported by said handle panels from the box base 12 to form a triangular cavity over the base. Alternatively, the
10 panels 16 are foldable away from respective side walls, similarly joining together over their distal ends to form a handle over the box base, the open box directed away from the handles.

Outward in each panel there are panel apertures 22 which meet to form a handle slot through which a user's hand or fingers can pass for lifting the base from the handle panels. In one panel there may be a handle interlocking portion 24 rotating into and upward into the aperture
15 of the other handle panel aperture thereby engaging and interlocking the handle panels.

The base circular holes further comprise sectors 46 hinged at the circle arc or a chord approximating the arc, and radially cut to extend separately, to effectively cover the hole. Until depressed, the sectors 46 support foodstuffs generally, but when depressed, as by a cup inserted into the hole, the sectors hinge downward opening the hole to the cup.

20 Referring now to Fig. 6, an alternative embodiment of a food and beverage carrier 10 is shown. A box-like structure 48 is formed from handle panels 50, 52, a bottom panel 54, and first and second side panels 56, 58. In order to stabilize cups that may be placed in box-like structure 48 one or more cup stabilizers 60 may be used, their position and operation being discussed below. Carrier 10 is intended to be made from paperboard having a thickness of about .018

WO 99/54226

PCT/US98/07692

inches, although slightly lighter or heavier material could be used. If light gauge material is used carrier 10 could be strengthened by using embossing techniques or utilizing double thickness at high stress points. Other materials such as corrugated or honeycomb composite structures could be used. A plastic or plastic laminate could be used as well.

5 Referring now to Fig. 7, a carrier blank 62 is shown in plan view. Blank 62 is cut from stock described above by die or high pressure water or other customary means. By examining blank 62 it is apparent which edges of the various panels are formed in an integral manner. Alternatively, each of the various panels could be attached to the others by use of an adhesive or another suitable means, such as by stapling. Fold lines denoted as dashed lines are scored and
10 may be perforated for ease of folding. Perforation is not required but enhances usefulness. Handle or end panel 50 is attached to or formed integral with an edge portion 63 of bottom panel 54 along fold line 64. Handle or end panel 52 is attached to or formed integral with an opposite edge portion 65 of bottom panel 54 along fold line 66. A first side panel 56 is attached or formed integral with bottom panel 54 along a side edge portion 70 of bottom panel 54. A second side
15 panel 58 is attached or formed integral with bottom panel 54 along an opposite side edge portion 74 of bottom panel 54. Each side edge 70, 74 lies along a side fold line 76, 78.

Rectangular webs 80, 82, 84, 86 are attached or formed integral with respective side panels 56, 58 and handle panels 50, 52. Each web or gusset 80, 82, 84, 86 has a fold line 88 where it joins its respective side panel 56, 58 and a fold line 90 where it joins its respective
20 handle panel 50, 52. Each web, or gusset 80, 82, 84, 86, being rectangular in shape, has a diagonal fold line 92 extending from its corner with bottom panel 54 to an outer corner 94. Diagonal fold lines 92 are preferably perforated and divide webs 80, 82, 84, 86 approximately in half, forming triangular pieces. Each web includes a web handle panel face 96. It is this face that gets glued to a respective handle panel 50, 52 during production. It has been found that when

WO 99/54226

PCT/US98/07692

using stiffer materials, or thicker paperboard, or in certain sizes, that it is best to remove a triangular portion of each web as shown in Fig. 7 and 8 in web 82. While only one web is shown in this manner it is understood that one or more webs can be modified in this manner to make folding into the in-use condition easier. The size of the piece of web removed is determined by the reduction in folding resistance and the necessary strength of the remainder to perform the function of connecting handle panels and side panels. This is also applicable to the embodiment shown in Fig. 10.

Attached or formed integral with one or more web edge portions 98 is one or more cup stabilizers 100. Cup stabilizer fold line 102 is preferably a perforated fold line. The cup stabilizers are attached along the one edge, that being web edge portion 98.

Referring now to Fig. 8, carrier 10 has been assembled by folding and gluing or stapling into its collapsed or stored condition. In this condition many carriers can be stored filling a relatively small volume and popped up into an in use condition when needed. Web handle panel face 96 is attached by gluing, adhesion, stapling, or the like, to each respective handle panel 50, 52. As shown in Fig. 9, as one or both side panels 56, 58 are pulled into an upright position, webs 80, 82, 84, 86 pull handle panels 50, 52 up into position. Webs are folded back on themselves until they are in a face to face contact position. Likewise, if handle panels 50, 52 are pushed into an upright condition, side panels 56, 58 will be pulled via webs into their upright position. The construction using webs provides a more stable and stronger carrier.

For use with beverage cups, cup stabilizers 100 can be folded down to provide a securing means part way up a cup with the bottom of the cup in contact with bottom panel 54. One or a plurality of cup stabilizers may be employed.

Referring now to Fig. 10, an alternate embodiment for a cup carrier only is shown. This

WO 99/54226

PCT/US98/07692

design uses a pair of webs 80 on only one side of handle panels 50, 52. A cup stabilizer panel 104 is attached to a first side panel 56 that does not have any webs associated therewith. Cup stabilizer panel 104 includes at least one opening 110 sized to receive a cup. Cup stabilizer panel 104 is attached to a tab 106 that is in turn attached via a fold line to a top edge 108 of a second side panel 58. Second side panel 58 has associated webs 80 as described above. In operation this embodiment only requires a gentle pull on second side panel 58 or cup opening 110 to raise both handle panels 50, 52 and the first side panel 56.

In compliance with the statute, the invention has been described in language more or less specific as to structural features. It is to be understood, however, that the invention is not limited to the specific features shown, since the means and construction herein disclosed comprise a preferred form of putting the invention into effect. The invention is, therefore, claimed in any of its forms or modifications within the legitimate and valid scope of the appended claims, appropriately interpreted in accordance with the doctrine of equivalents.

INDUSTRIAL APPLICATION

15

The present invention is very useful for conveying or carrying food and beverages from carry-out types of vendors, such as can be found at public stadiums, street vendors, or the like. The invention enables one person to carry one or more beverages and/or food with one hand leaving the other hand free to open doors or get keys out.

20

WO 99/54226

PCT/US98/07692

What is claimed is:

1. A food and beverage carrier comprising:

a box-like structure 48 having a bottom panel 54, a first side panel 56 and a second side panel 58, said first side panel 56 having a fold line 76 along an edge 70 with said bottom panel 54, said second panel 58 having a fold line 78 along an opposite edge 74 of said bottom panel 54, said edge of said first side panel 56 is attached to a first side panel portion 70 of said bottom panel, said edge portion of said second panel attached to a second panel portion 74 of said bottom panel;

a first end panel 50 and a second end panel 52, each of said end panels having a top edge portion and a bottom edge portion 63, 65, said first end panel's bottom edge attached to a first end panel portion of said bottom panel, and said second end panel's bottom edge attached to a second end panel portion of said bottom panel;

a plurality of webs 80, 82, 84, 86, each web having a fold line 92 extending from one corner to another corner thereof, each of said webs having an edge portion thereof attached to an edge portion of their respective first or second side panels 56, 58 and each web having an end panel contact face 90, said contact face being attached to respective end panels thereby connecting respective side and end panels such that when either side panel is folded up into an in use condition said end panels are pulled up by said webs, said webs folding in half along their respective diagonal fold lines forming said box-like structure.

2. A food carrier according to claim 1, wherein at least one cup stabilizer is provided that fold down over said box-like structure, said cup stabilizer being spaced above said bottom panel, said cup stabilizer having an opening sized to accept a cup therethrough, and said cup stabilizer being attached via a fold line with one of said webs.

3. A food carrier according to claim 1, wherein at least one cup stabilizer is provided

WO 99/54226

PCT/US98/07692

adapted to fold down over said box-like structure, said cup stabilizer being spaced above said bottom panel, said cup stabilizer having an opening sized to accept a cup therethrough, and said cup stabilizer being attached via a fold line to one of said handle panels.

4. A food carrier according to claim 1, wherein at least one cup stabilizer is provided adapted to fold down over said box-like structure, said cup stabilizer being spaced above said bottom panel, said cup stabilizer having an opening sized to accept a cup therethrough, and said cup stabilizer being attached via a fold line with one of said side panels.

5. A food and beverage carrier comprising:

a bottom panel, first and second side panels attached to opposite sides of said bottom panel, first and second handle panels attached to opposite sides of said bottom panel not attached to said first and second side panels, a plurality of webs attached along one of their edges to edge portions of said side panels and attached by their handle panel faces to respective handle panels, said webs including a diagonal fold line such that when side panels are folded into an upright condition said handle panels are pulled into an upright position by said webs folding into face contact along their diagonal fold lines forming a box-like structure with handle panels extending from said bottom panel.

6. A food carrier according to claim 5, wherein at least one cup stabilizer is provided adapted to fold down over said box-like structure, said cup stabilizer being spaced above said bottom panel, said cup stabilizer having an opening sized to accept a cup therethrough, and said cup stabilizer being attached via a fold line with one of said webs.

7. A food carrier according to claim 5, wherein at least one cup stabilizer is provided that fold down over said box-like structure, said cup stabilizer being spaced above said bottom panel, said cup stabilizer having an opening sized to accept a cup therethrough, and said cup stabilizer being attached via a fold line with one of said end panels.

WO 99/54226

PCT/US98/07692

8. A food carrier according to claim 5, wherein at least one cup stabilizer is provided that fold down over said box-like structure, said cup stabilizer being spaced above said bottom panel, said cup stabilizer having an opening sized to accept a cup therethrough, and said cup stabilizer being attached via a fold line with one of said side panels.

9. A food and beverage carrier comprising:

a bottom panel, first and second side panels formed integral with opposite sides of said bottom panel, first and second handle panels formed integral with opposite sides of said bottom panel not attached to said first and second side panels, said side and handle panels having a fold
5 line where they join with said bottom panel,

a plurality of webs formed integral with portions of said side panels and a portion of their respective handle panels, said webs having a panel contact face attached to respective panel faces, said webs further including a perforated diagonal fold line such that when side panels are folded into an upright condition said handle panels are pulled into an upright position by said
10 webs folding into face contact along their diagonal fold lines forming a box-like structure with handle panels extending from said bottom panel.

10. A food carrier according to claim 9, wherein at least one cup stabilizer is provided that fold down over said box-like structure, said cup stabilizer being spaced above said bottom panel, said cup stabilizer having an opening sized to accept a cup therethrough, and said cup stabilizer being attached via a fold line with one of said webs.

11. A food carrier according to claim 9, wherein at least one cup stabilizer is provided that fold down over said box-like structure, said cup stabilizer being spaced above said bottom panel, said cup stabilizer having an opening sized to accept a cup therethrough, and said cup stabilizer being attached via a fold line with one of said end panels.

12. A food carrier according to claim 9, wherein at least one cup stabilizer is provided

WO 99/54226

PCT/US98/07692

that fold down over said box-like structure, said cup stabilizer being spaced above said bottom panel, said cup stabilizer having an opening sized to accept a cup therethrough, and said cup stabilizer being attached via a fold line with one of said side panels.

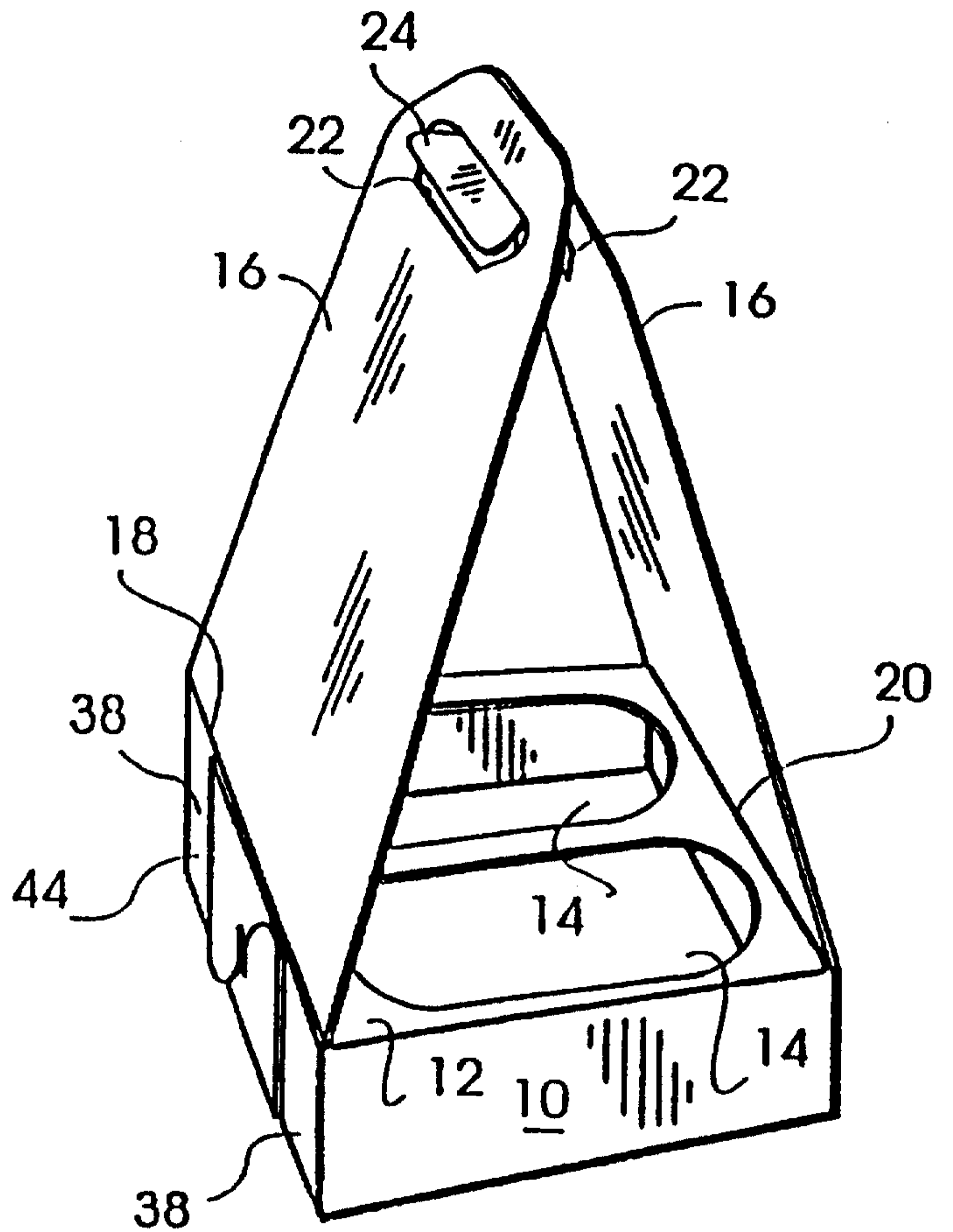


FIGURE 1

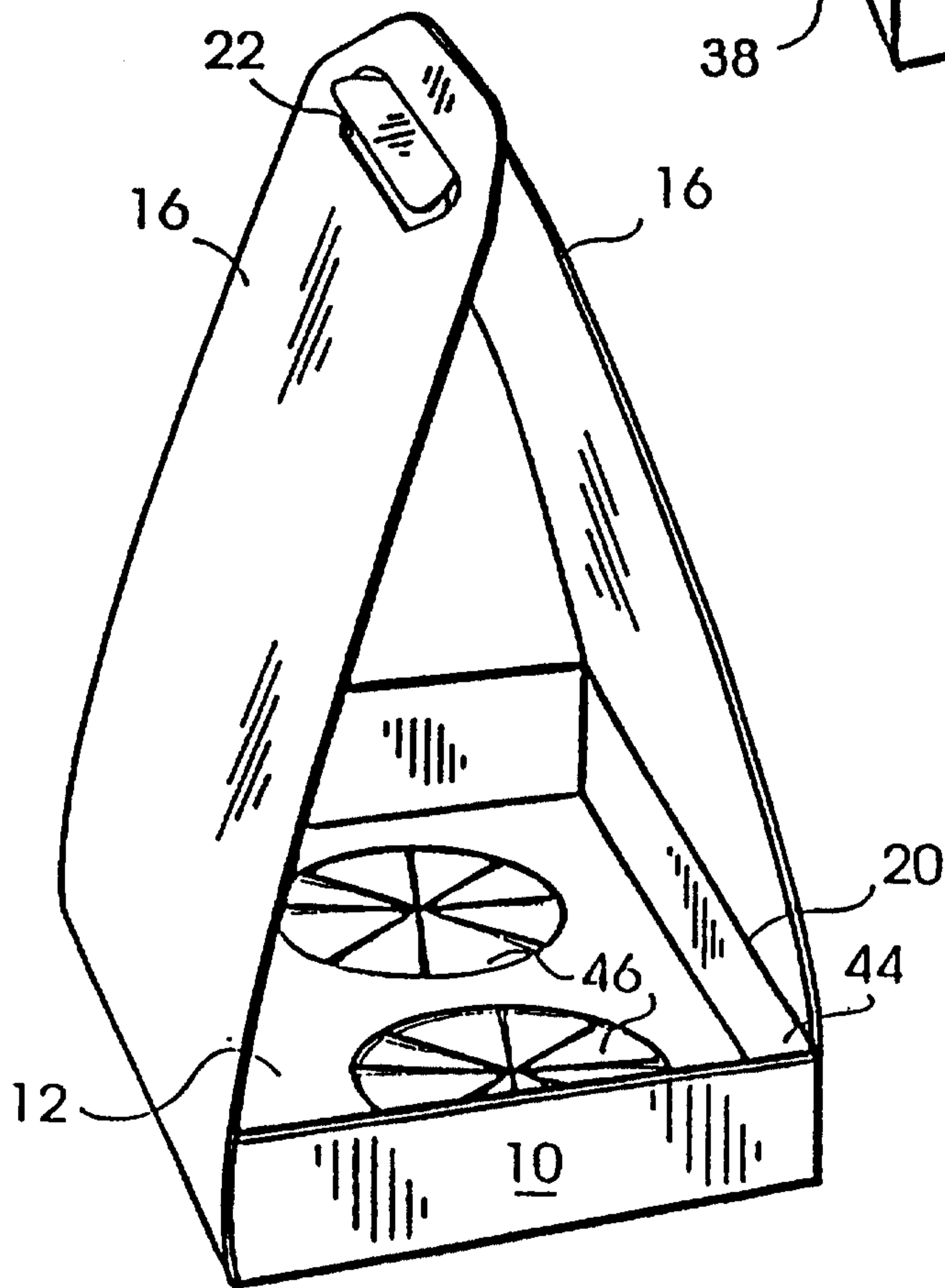


FIGURE 2

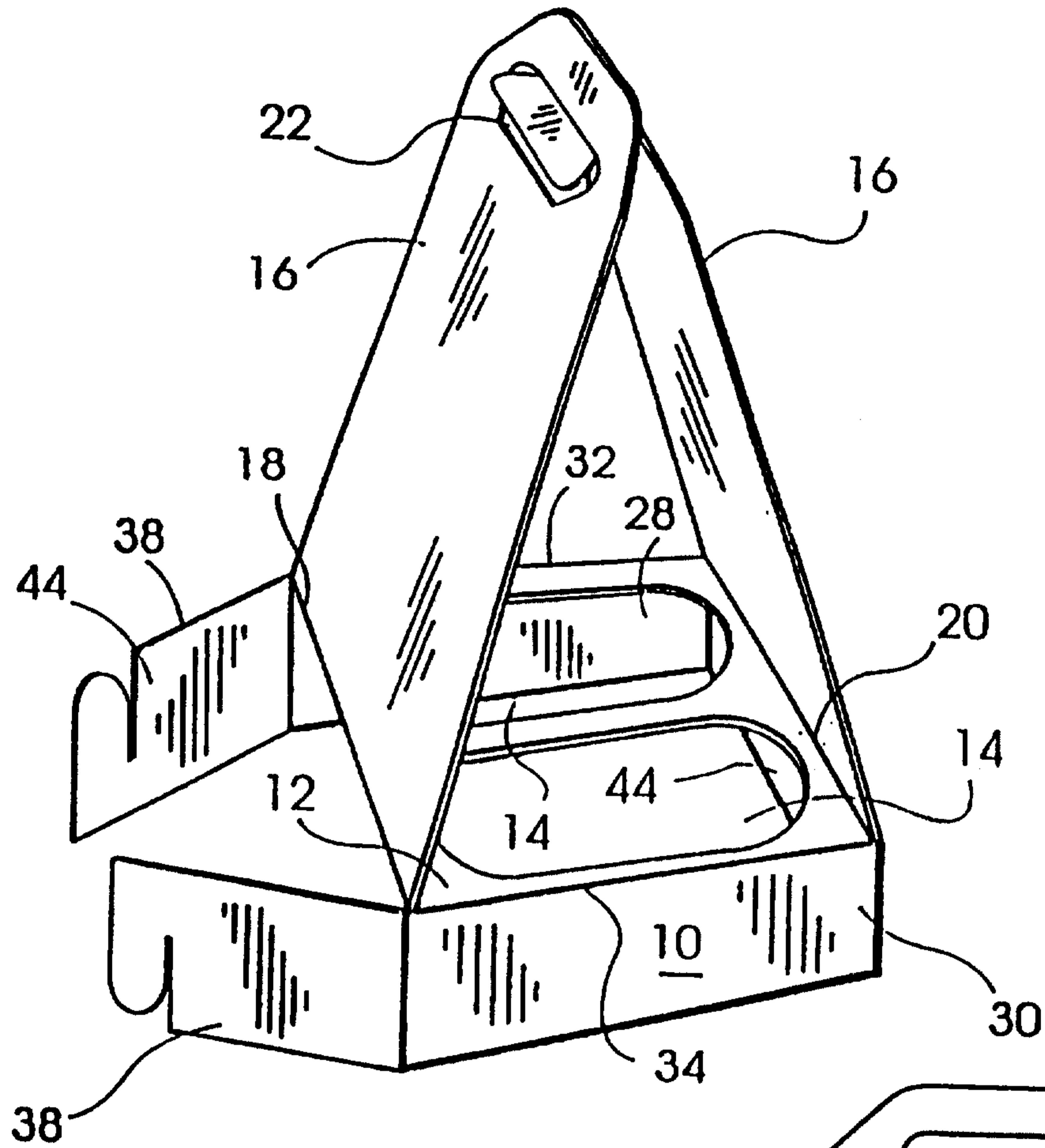


FIGURE 3

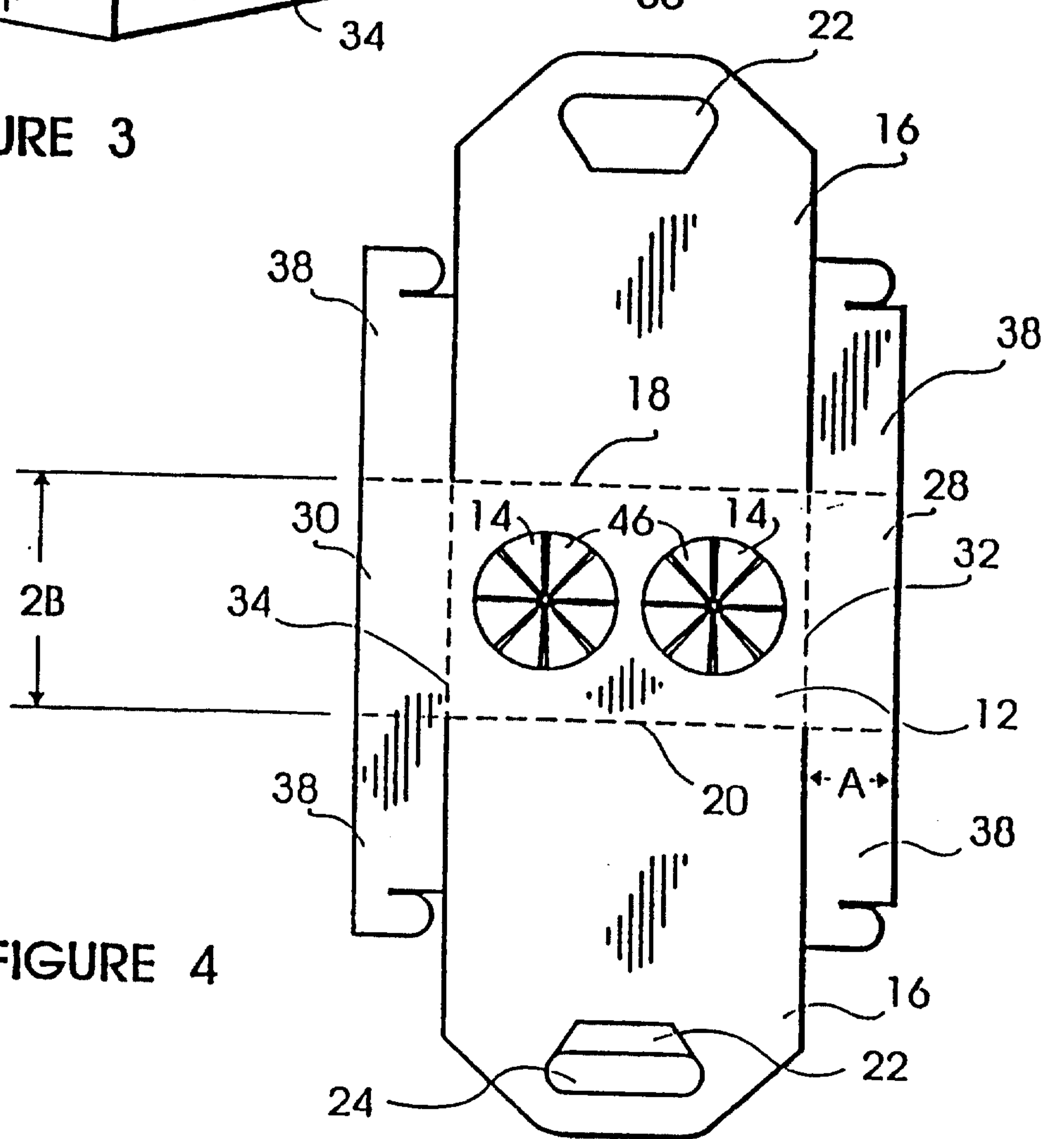


FIGURE 4

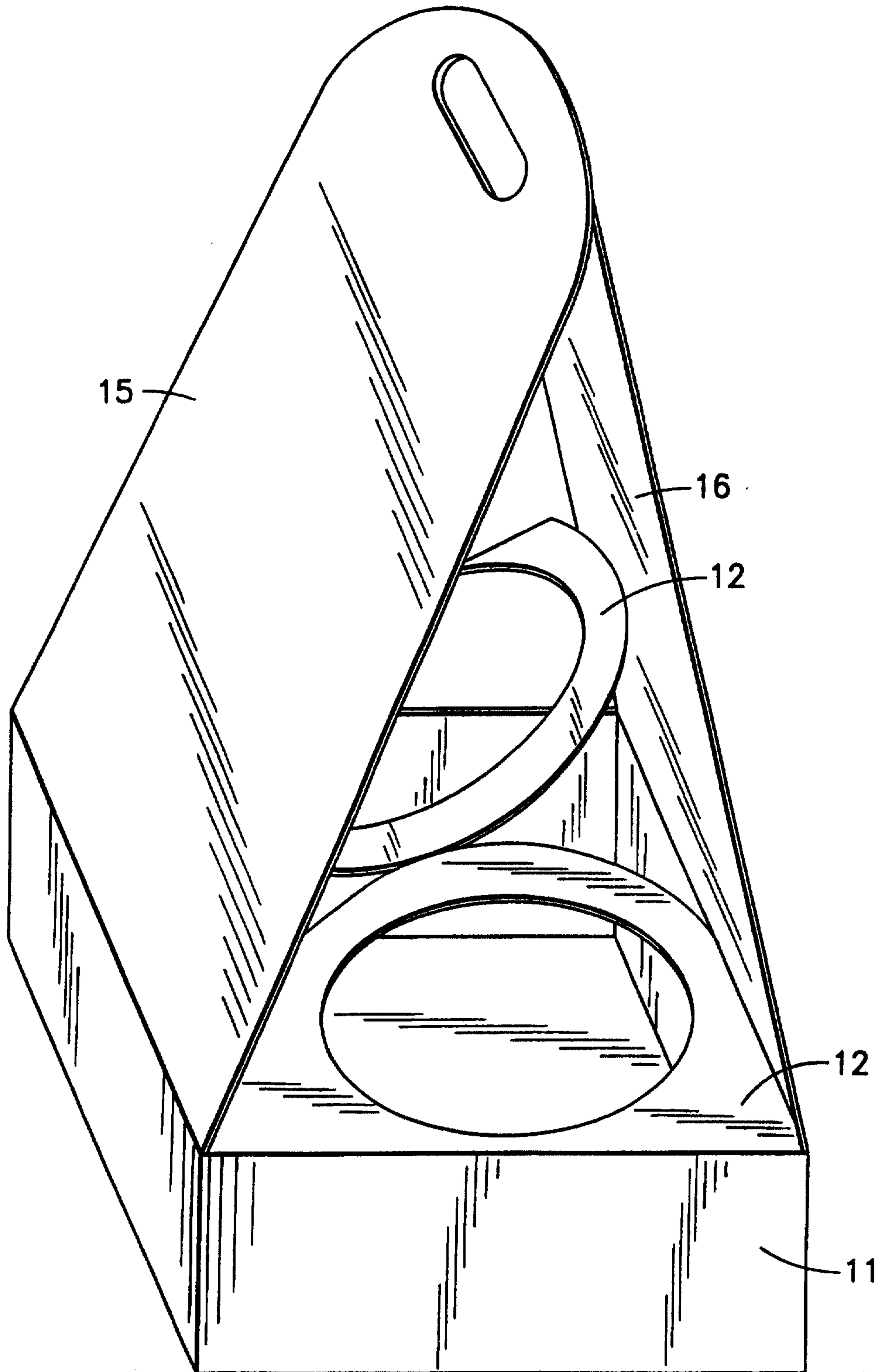


FIGURE 5

SUBSTITUTE SHEET (rule 26)

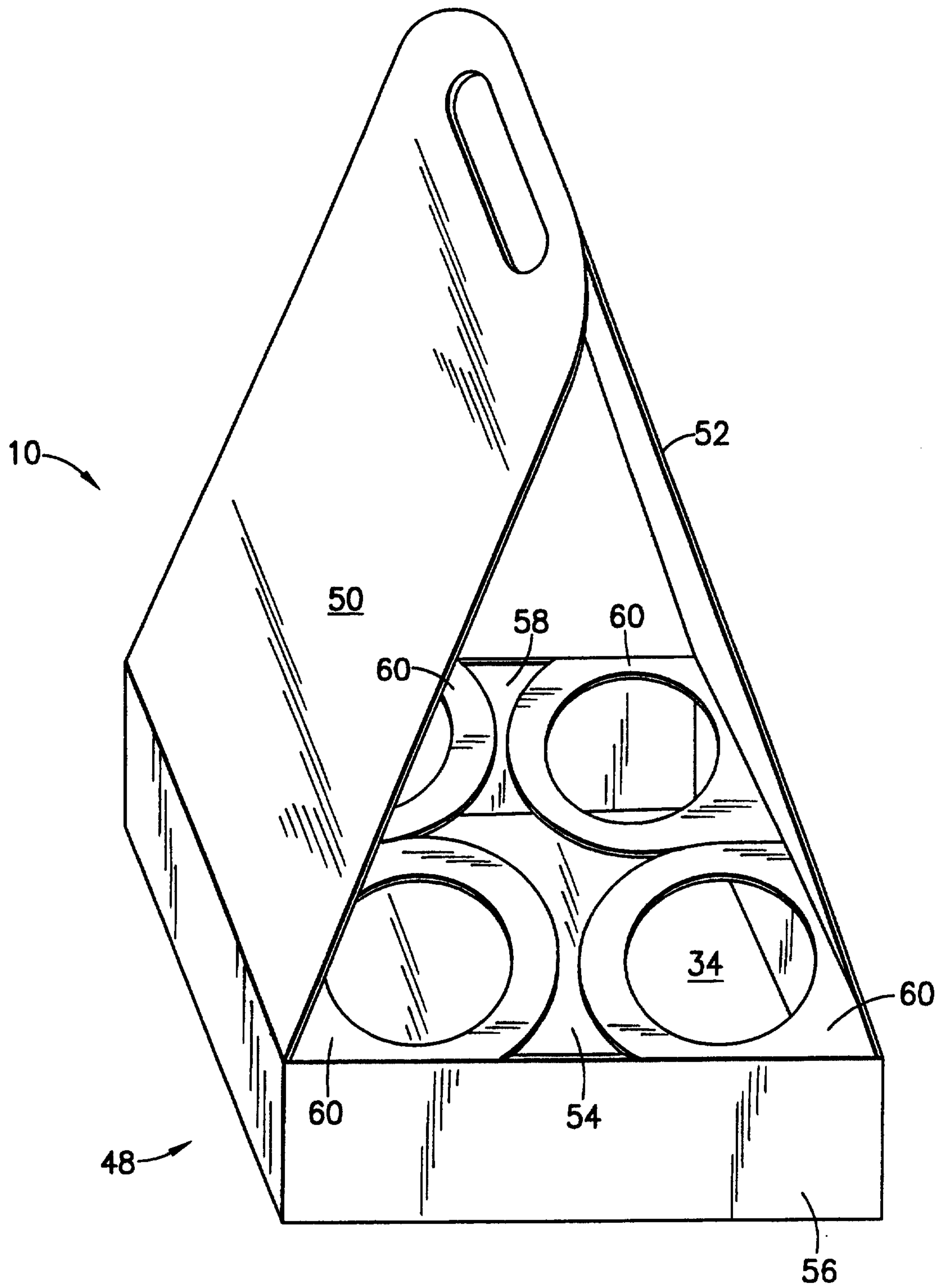


FIGURE 6

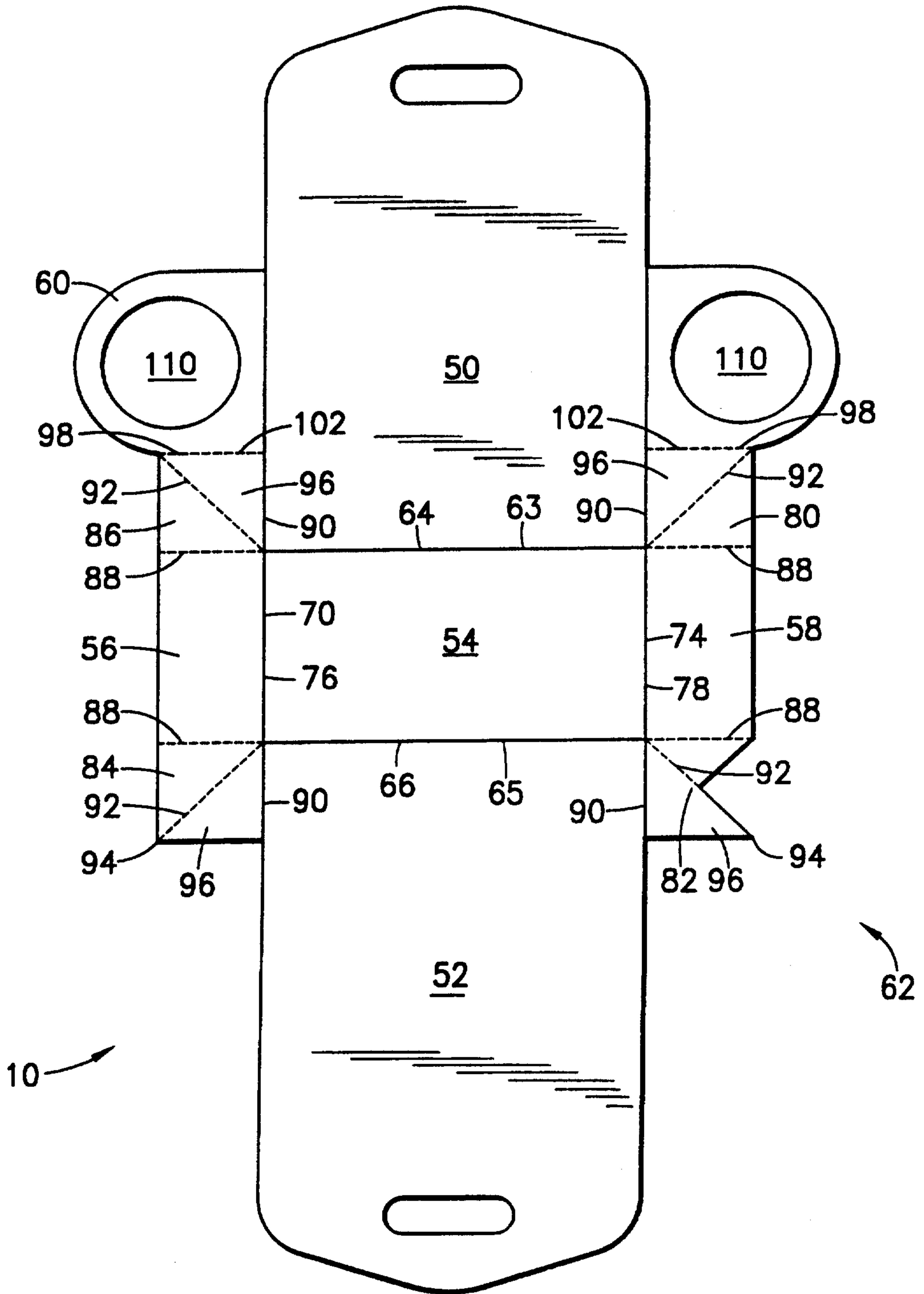


FIGURE 7

SUBSTITUTE SHEET (rule 26)

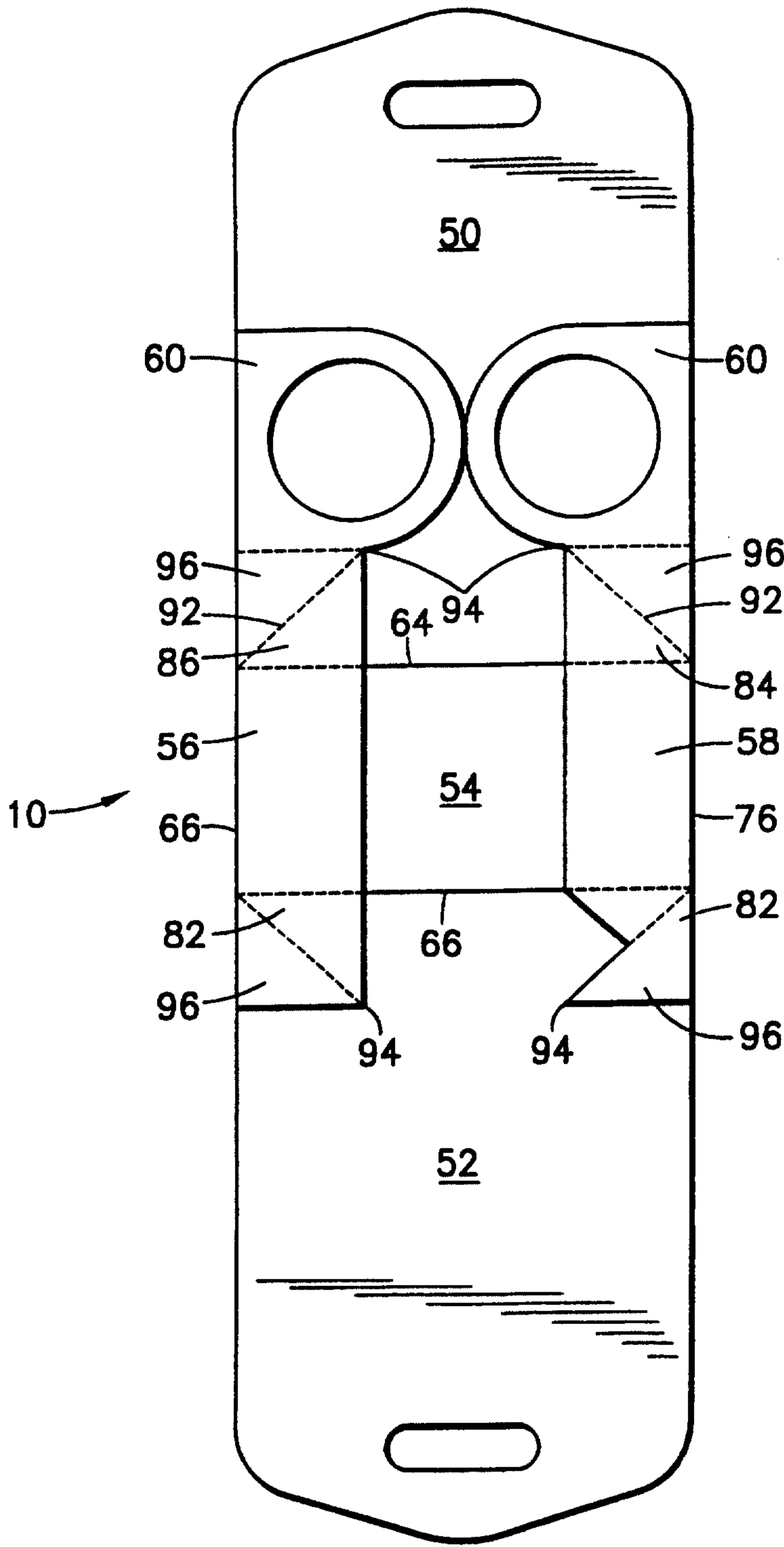


FIGURE 8

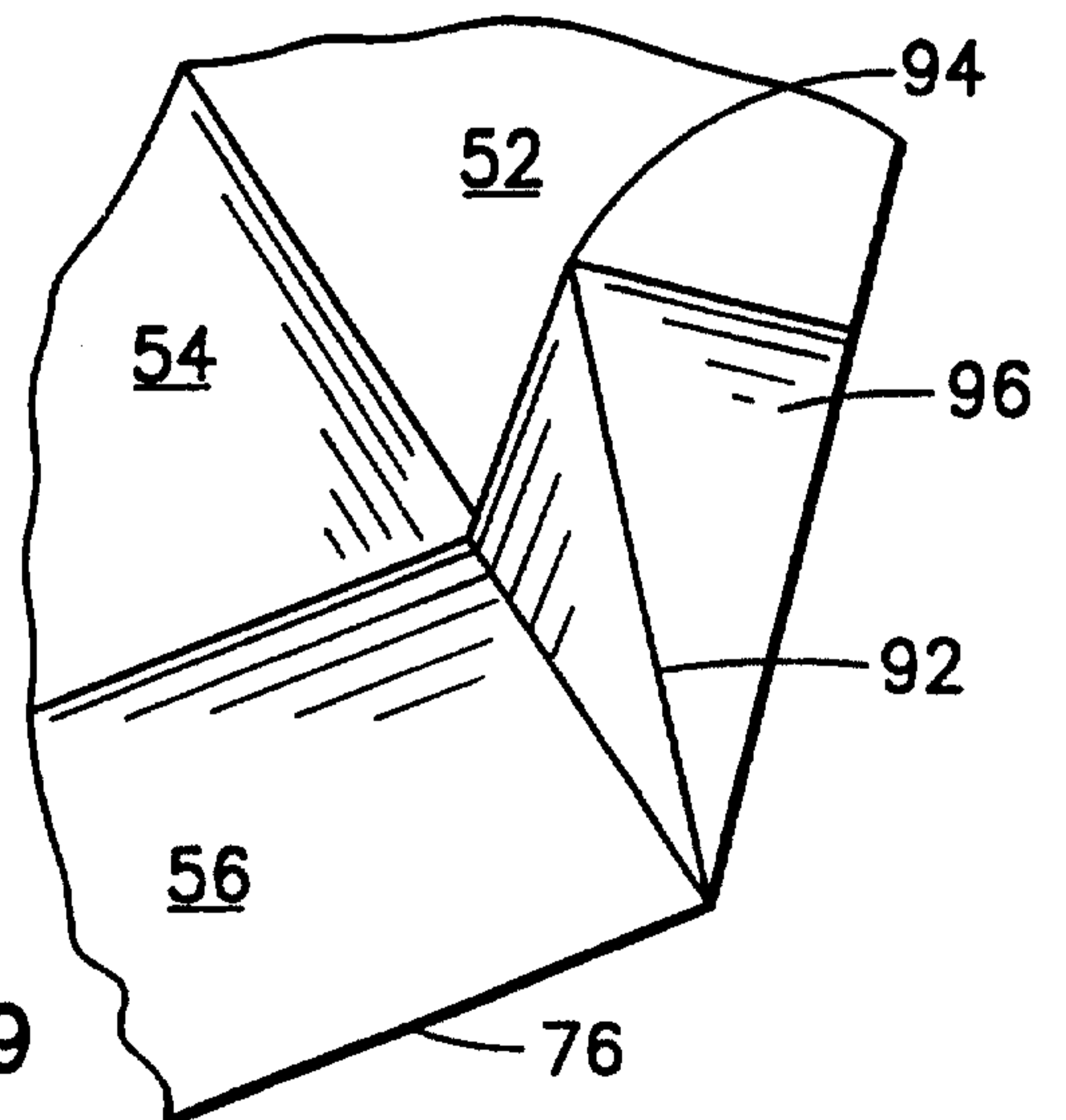


FIGURE 9

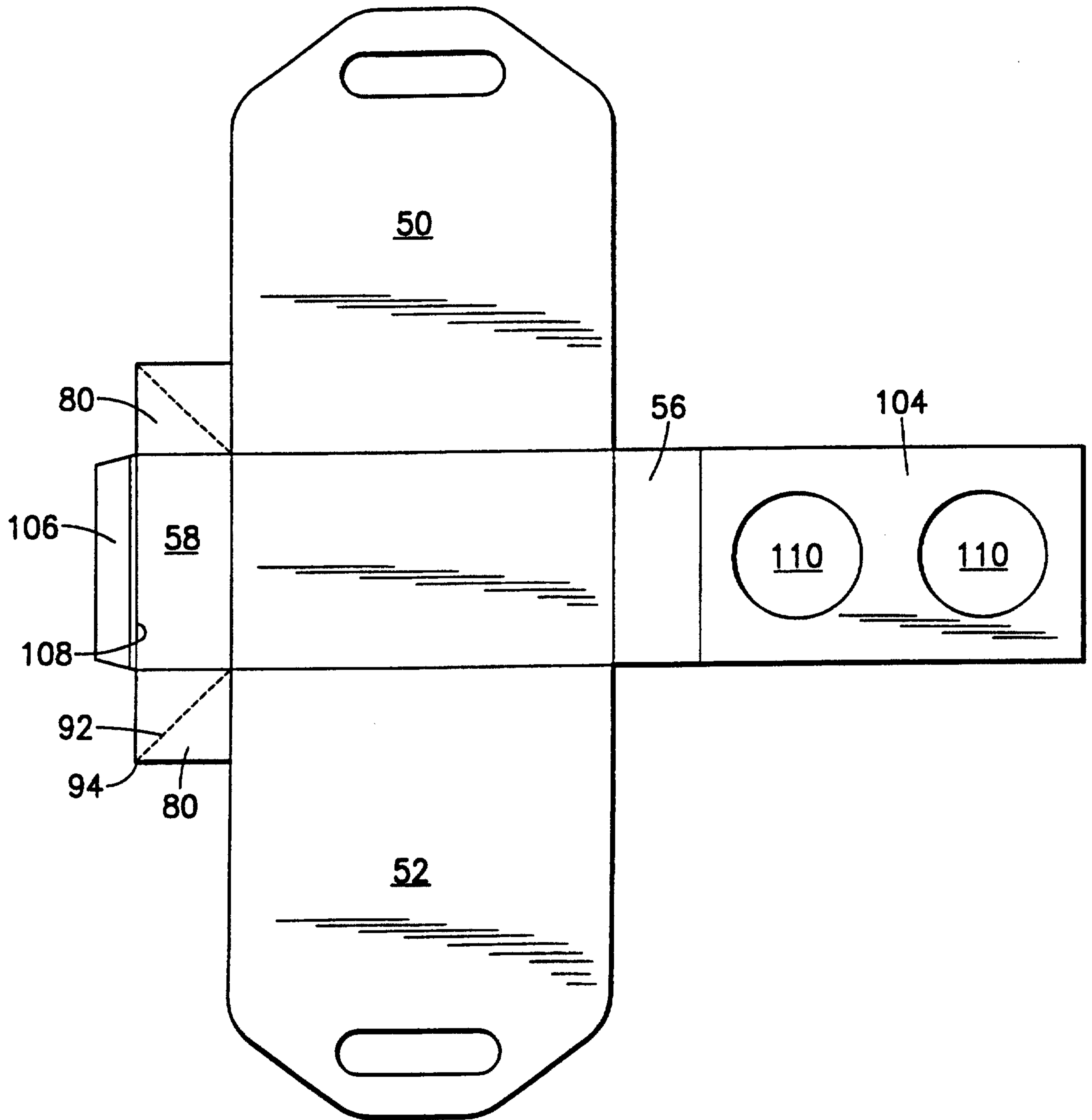


FIGURE 10

