



- (51) International Patent Classification:
E21B 23/00 (2006.01) *E21B 7/20* (2006.01)
E21B 43/10 (2006.01)
- (21) International Application Number: PCT/US2012/027459
- (22) International Filing Date: 2 March 2012 (02.03.2012)
- (25) Filing Language: English
- (26) Publication Language: English
- (30) Priority Data: 61/468,001 26 March 2011 (26.03.2011) US
- (71) Applicant (for all designated States except US): **HAL-LIBURTON ENERGY SERVICES, INC.** [US/US]; 10200 Bellaire Boulevard, Houston, TX 77072 (US).
- (72) Inventors; and
(75) Inventors/Applicants (for US only): **DIRKSEN, Ronald Johannes** [NL/US]; 6611 Pelham Chase Drive, Spring, TX 77389 (US). **DUDLEY, James H.** [US/US]; 6711 Wimbledon Estates Drive, Spring, TX 77379 (US). **CASKEY, Kenneth D.** [US/US]; 2446 Angel Falls Drive, Frisco, TX 75034 (US). **PARLIN, Joseph D.** [US/US]; 5200 Brouette Court, Plano, TX 75023 (US).
- (74) Agent: **SWEHLA, Aaron**; Baker Botts LLP, 910 Louisiana Street, Houston, TX 77002 (US).

[Continued on next page]

(54) Title: SINGLE TRIP LINER SETTING AND DRILLING ASSEMBLY

(57) Abstract: A liner assembly (100) includes a drill string (120) to drill a borehole (105) in a formation (110). The liner assembly further includes a liner assembly releasably coupled to the drill string to move with the drill string in the borehole while the drill string drills, and to be released from the drill string in the borehole after the drill string drills to a depth.

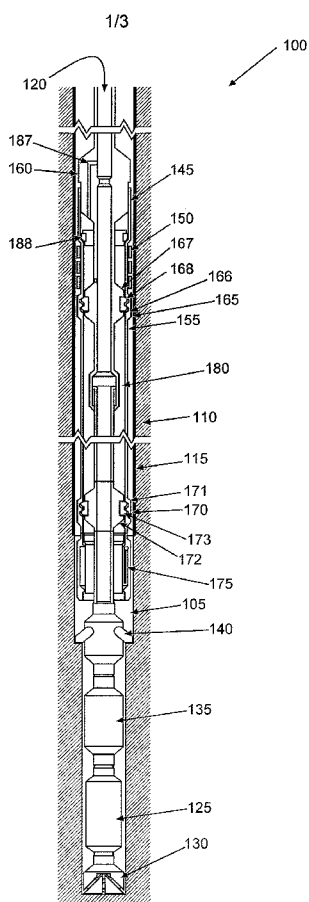


Fig. 1





(81) Designated States (unless otherwise indicated, for every kind of national protection available): AE, AG, AL, AM, AO, AT, AU, AZ, BA, BB, BG, BH, BR, BW, BY, BZ, CA, CH, CL, CN, CO, CR, CU, CZ, DE, DK, DM, DO, DZ, EC, EE, EG, ES, FI, GB, GD, GE, GH, GM, GT, HN, HR, HU, ID, IL, IN, IS, JP, KE, KG, KM, KN, KP, KR, KZ, LA, LC, LK, LR, LS, LT, LU, LY, MA, MD, ME, MG, MK, MN, MW, MX, MY, MZ, NA, NG, NI, NO, NZ, OM, PE, PG, PH, PL, PT, QA, RO, RS, RU, RW, SC, SD, SE, SG, SK, SL, SM, ST, SV, SY, TH, TJ, TM, TN, TR, TT, TZ, UA, UG, US, UZ, VC, VN, ZA, ZM, ZW.

(84) Designated States (unless otherwise indicated, for every kind of regional protection available): ARIPO (BW, GH, GM, KE, LR, LS, MW, MZ, NA, RW, SD, SL, SZ, TZ, UG, ZM, ZW), Eurasian (AM, AZ, BY, KG, KZ, MD, RU, TJ, TM), European (AL, AT, BE, BG, CH, CY, CZ,

DE, DK, EE, ES, FI, FR, GB, GR, HR, HU, IE, IS, IT, LT, LU, LV, MC, MK, MT, NL, NO, PL, PT, RO, RS, SE, SI, SK, SM, TR), OAPI (BF, BJ, CF, CG, CI, CM, GA, GN, GQ, GW, ML, MR, NE, SN, TD, TG).

Declarations under Rule 4.17:

— of inventorship (Rule 4.17(iv))

Published:

— with international search report (Art. 21(3))

— before the expiration of the time limit for amending the claims and to be republished in the event of receipt of amendments (Rule 48.2(h))

(88) Date of publication of the international search report:

25 April 2013

INTERNATIONAL SEARCH REPORT

International application No
PCT/US2012/027459

A. CLASSIFICATION OF SUBJECT MATTER
INV. E21B23/00 E21B43/10 E21B7/20
ADD.
According to International Patent Classification (IPC) or to both national classification and IPC

B. FIELDS SEARCHED
Minimum documentation searched (classification system followed by classification symbols)
E21B

Documentation searched other than minimum documentation to the extent that such documents are included in the fields searched

Electronic data base consulted during the international search (name of data base and, where practicable, search terms used)
EPO-Internal, WPI Data

C. DOCUMENTS CONSIDERED TO BE RELEVANT

Category*	Citation of document, with indication, where appropriate, of the relevant passages	Relevant to claim No.
X	WO 2004/072434 A2 (WEATHERFORD LAMB [US]; GIROUX RICHARD L [US]; GALLOWAY GREGORY G [US];) 26 August 2004 (2004-08-26) abstract figures 7,30 paragraph [0009] - paragraph [0010] paragraph [0015] paragraph [0031] paragraph [0115] - paragraph [0117] paragraph [0123] paragraph [0129] paragraph [0131] - paragraph [0133] paragraph [0136] paragraph [0138] - paragraph [0141] paragraph [0146] paragraph [0158] paragraph [0170] - paragraph [0172] paragraph [0175] - paragraph [0176] paragraph [0201] -/--	1-20

Further documents are listed in the continuation of Box C.

See patent family annex.

* Special categories of cited documents :

"A" document defining the general state of the art which is not considered to be of particular relevance	"T" later document published after the international filing date or priority date and not in conflict with the application but cited to understand the principle or theory underlying the invention
"E" earlier application or patent but published on or after the international filing date	"X" document of particular relevance; the claimed invention cannot be considered novel or cannot be considered to involve an inventive step when the document is taken alone
"L" document which may throw doubts on priority claim(s) or which is cited to establish the publication date of another citation or other special reason (as specified)	"Y" document of particular relevance; the claimed invention cannot be considered to involve an inventive step when the document is combined with one or more other such documents, such combination being obvious to a person skilled in the art
"O" document referring to an oral disclosure, use, exhibition or other means	"&" document member of the same patent family
"P" document published prior to the international filing date but later than the priority date claimed	

Date of the actual completion of the international search 14 February 2013	Date of mailing of the international search report 22/02/2013
---	--

Name and mailing address of the ISA/ European Patent Office, P.B. 5818 Patentlaan 2 NL - 2280 HV Rijswijk Tel. (+31-70) 340-2040, Fax: (+31-70) 340-3016	Authorized officer Hustedt, Bernhard
--	---

INTERNATIONAL SEARCH REPORT

International application No
PCT/US2012/027459

C(Continuation). DOCUMENTS CONSIDERED TO BE RELEVANT		
Category*	Citation of document, with indication, where appropriate, of the relevant passages	Relevant to claim No.
X A	<p style="text-align: center;">-----</p> <p>US 2009/090508 A1 (BROUSE MICHAEL [US]) 9 April 2009 (2009-04-09) abstract figures 1B,7-9 paragraph [0005] paragraph [0009] - paragraph [0010] paragraph [0026] - paragraph [0027] paragraph [0029] paragraph [0031] - paragraph [0032] paragraph [0035] - paragraph [0038] paragraph [0042] - paragraph [0044] paragraph [0048] - paragraph [0049] paragraph [0052]</p>	1-7, 12-20 8-11
X A	<p style="text-align: center;">-----</p> <p>GB 2 438 508 A (WEATHERFORD LAMB [US]) 28 November 2007 (2007-11-28) abstract figure 1 page 2, line 15 - line 28 page 4, line 27 - page 5, line 16</p>	1-5,9, 12-16, 19,20 6-8,10, 11,17,18
A	<p style="text-align: center;">-----</p> <p>US 5 472 057 A (WINFREE MICHAEL B [US]) 5 December 1995 (1995-12-05) abstract figure 1 column 1, line 19 - line 24 column 3, line 3 - line 8 column 3, line 67 - column 4, line 24</p> <p style="text-align: center;">-----</p>	1-20

INTERNATIONAL SEARCH REPORT

Information on patent family members

International application No PCT/US2012/027459

Patent document cited in search report	Publication date	Patent family member(s)	Publication date
WO 2004072434 A2	26-08-2004	CA 2515296 A1	26-08-2004
		CA 2708591 A1	26-08-2004
		GB 2415451 A	28-12-2005
		GB 2428722 A	07-02-2007
		WO 2004072434 A2	26-08-2004

US 2009090508 A1	09-04-2009	US 2009090508 A1	09-04-2009
		WO 2009045995 A2	09-04-2009

GB 2438508 A	28-11-2007	CA 2589600 A1	22-11-2007
		GB 2438508 A	28-11-2007
		US 2007267221 A1	22-11-2007

US 5472057 A	05-12-1995	CA 2192131 A1	05-06-1998
		US 5472057 A	05-12-1995
