



US00D749073S

(12) **United States Design Patent**
Navon

(10) **Patent No.:** **US D749,073 S**

(45) **Date of Patent:** **** Feb. 9, 2016**

(54) **TERMINAL INCLUDING A DISPLAY AND OPERATING UNITS**

(71) Applicant: **Kverneland Group Mechatronics B.V.**,
Nieuw-Vennep (NL)

(72) Inventor: **Shay Navon**, Amstelveen (NL)

(73) Assignee: **KVERNELAND GROUP MECHATRONICS B.V.**,
Nieuw-Vennep (NL)

(**) Term: **14 Years**

(21) Appl. No.: **29/512,219**

(22) Filed: **Dec. 17, 2014**

(30) **Foreign Application Priority Data**

Jun. 18, 2014 (EM) 002485631-0001

(51) **LOC (10) Cl.** **14-02**

(52) **U.S. Cl.**
USPC **D14/346**

(58) **Field of Classification Search**
USPC D14/346, 341, 496, 374, 207.3, 240,
D14/126-129; D10/65, 78; D21/324, 333,
D21/329; D16/242, 237, 208; 701/33.2,
701/33.3, 213, 412; 361/679.3, 679.55;
455/457; D18/4.4, 4.6, 12, 12.1, 12.3,
D18/12.2; 235/379, 380, 383; 369/47.28
CPC G06F 1/16
See application file for complete search history.

(56) **References Cited**

U.S. PATENT DOCUMENTS

D293,467 S * 12/1987 Elkerbout D24/186
D319,433 S * 8/1991 Pearce D14/341
D334,398 S * 3/1993 Conard D18/7
D335,654 S * 5/1993 Robinson D14/346
D346,366 S * 4/1994 Kim D14/342
D348,896 S * 7/1994 Kumar D18/4.6
D353,803 S * 12/1994 Kuzumoto D14/341

D354,947 S * 1/1995 Peart D14/341
D377,929 S * 2/1997 Sekino D14/336
5,661,632 A * 8/1997 Register G06F 1/1626
345/905
D408,442 S * 4/1999 Lun D18/11
D413,582 S * 9/1999 Tompkins D14/344
D436,951 S * 1/2001 Andresen D14/336
D447,136 S * 8/2001 Groves D14/336
D468,735 S * 1/2003 Landerholm D14/336
D489,053 S * 4/2004 Nakamura D14/480.5
D504,676 S * 5/2005 Borsboom D14/218
D509,834 S * 9/2005 Kataoka D14/203.7
D516,578 S * 3/2006 Matsuoka D14/160
D534,153 S * 12/2006 Naruki D14/203.7
D570,402 S * 6/2008 Henry D18/4.6
D571,798 S * 6/2008 Ogasawara D14/341
D595,291 S * 6/2009 Takemasa D14/346
D614,230 S * 4/2010 Hidaka D18/12
D628,569 S * 12/2010 Guo D14/341
D628,997 S * 12/2010 Daniel D14/341
D637,995 S * 5/2011 Rayn D14/203.7
D656,137 S * 3/2012 Chung D14/341
D664,144 S * 7/2012 Akana D14/389
D690,692 S * 10/2013 Shin D14/341
D724,582 S * 3/2015 Kim D14/341
2002/0069364 A1 * 6/2002 Dosch G06F 1/1626
726/26

* cited by examiner

Primary Examiner — Paula Greene

(74) *Attorney, Agent, or Firm* — Leason Ellis LLP

(57) **CLAIM**

The ornamental design for terminal including a display and operating units, as shown and described.

DESCRIPTION

FIG. 1 is a front and top perspective view of a terminal including a display and operating units showing my new design;

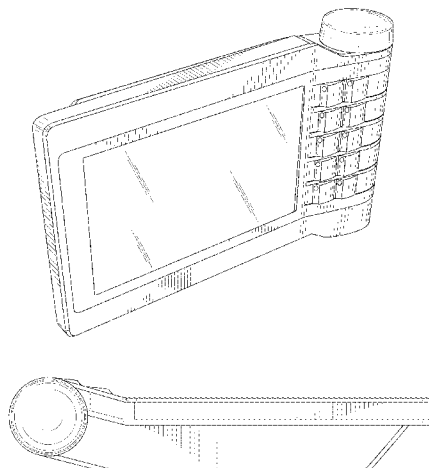
FIG. 2 is a front elevation view thereof;

FIG. 3 is a top plan view thereof; and,

FIG. 4 is an end elevation view thereof.

The broken lines of FIGS. 1-4 are for illustrative purposes only and form no part of the claimed design.

1 Claim, 4 Drawing Sheets



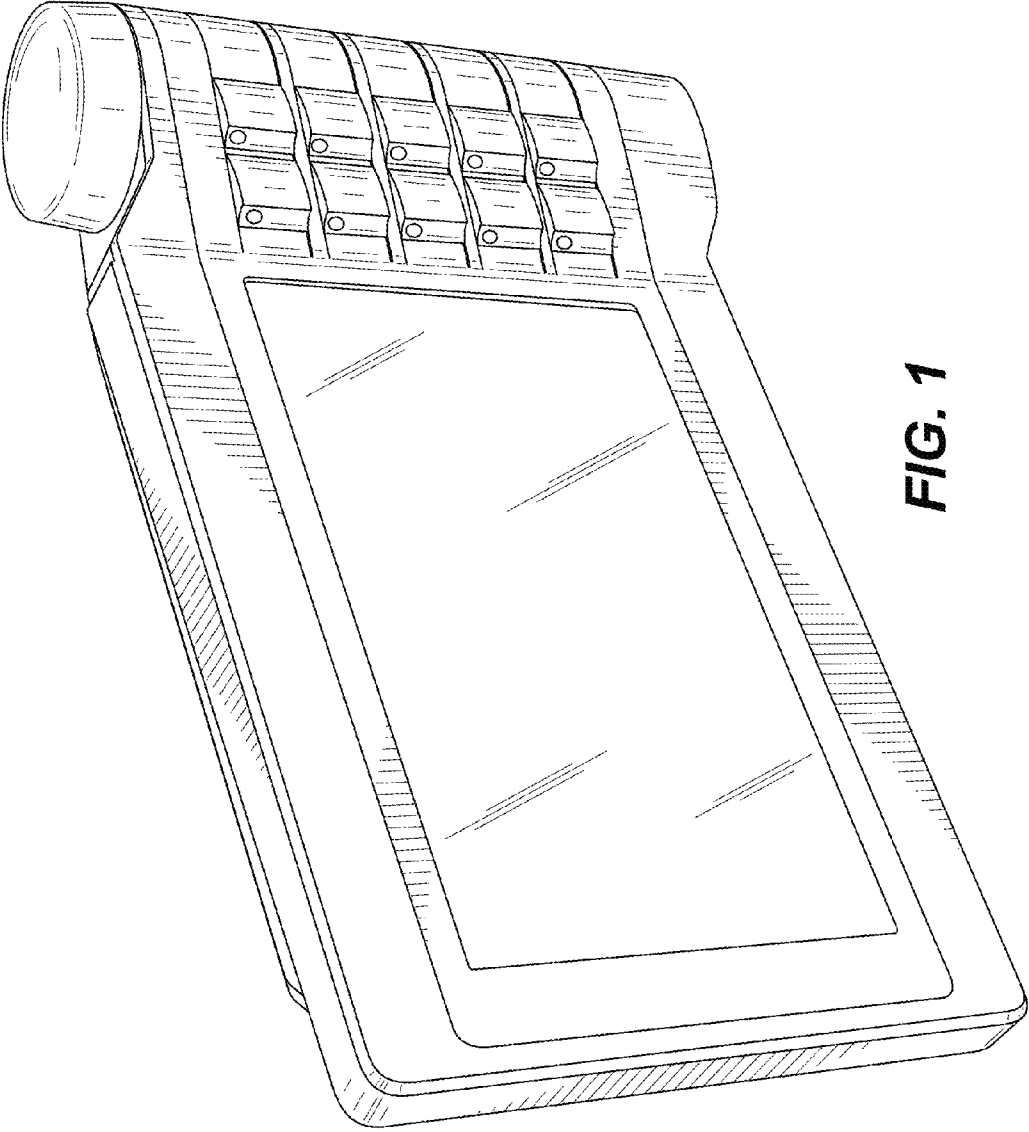


FIG. 1

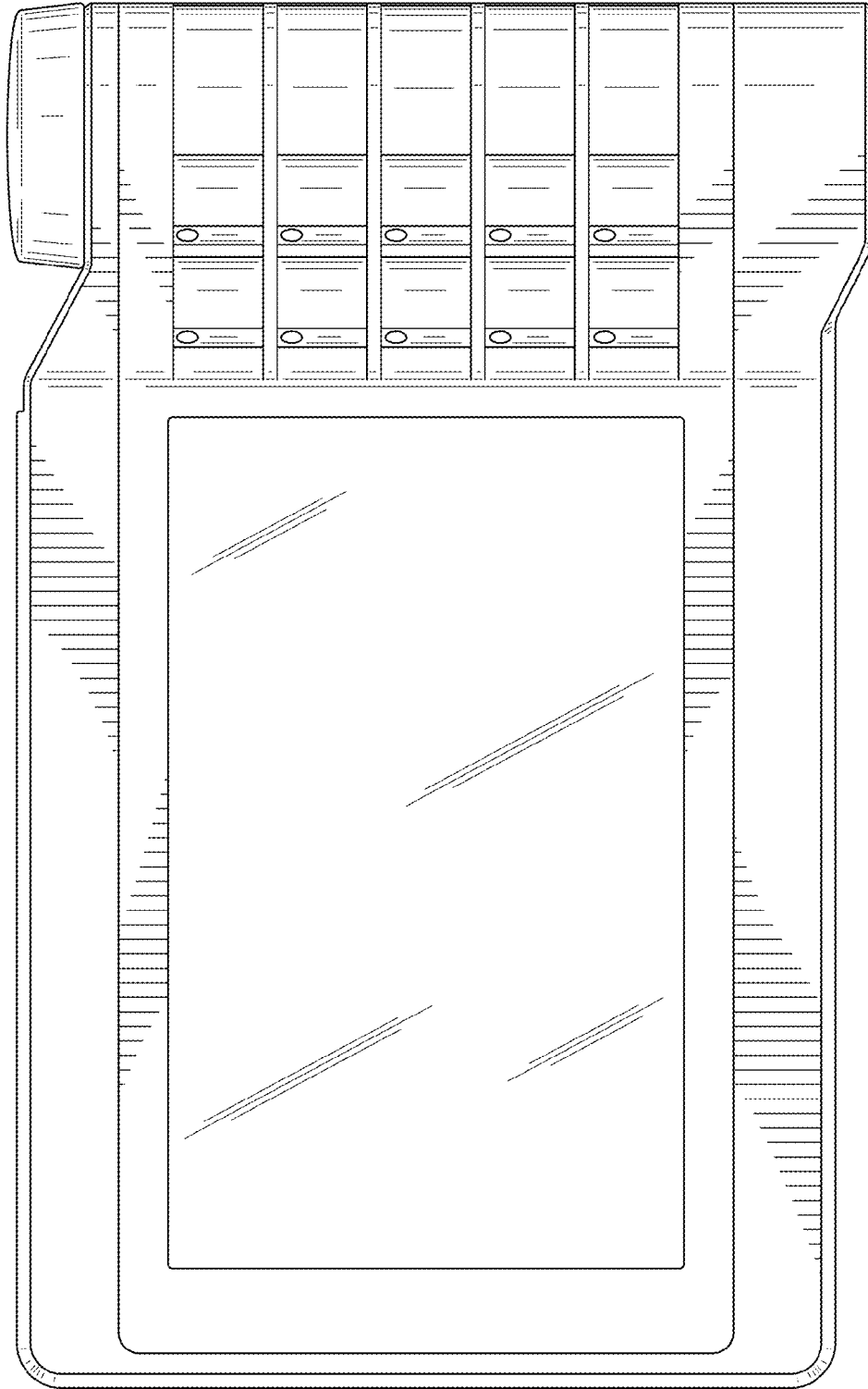


FIG. 2

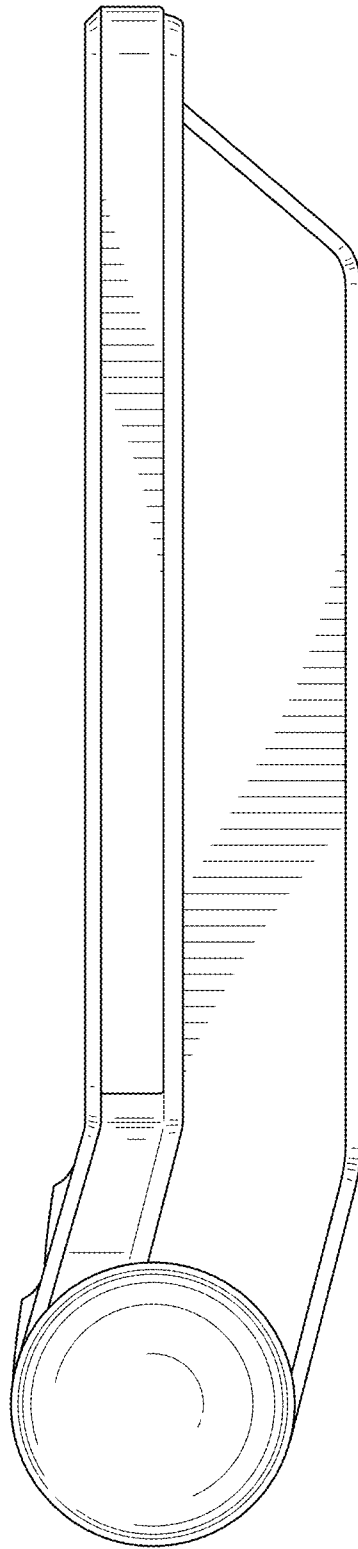


FIG. 3

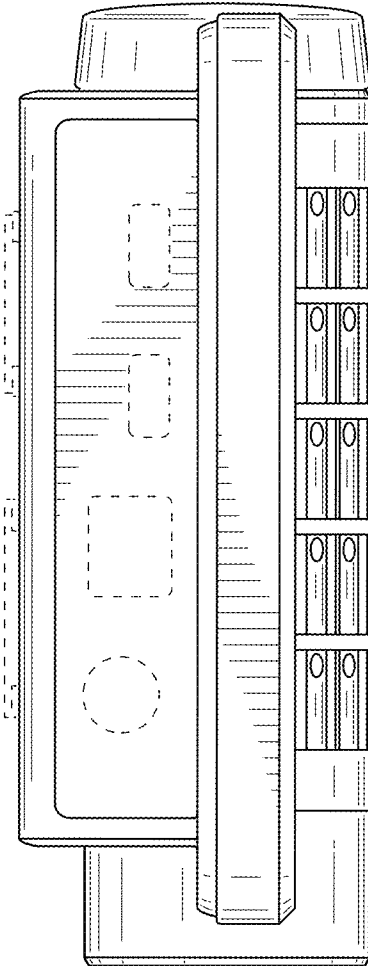


FIG. 4