



(51) International Patent Classification:
G02B 6/44 (2006.01)

(21) International Application Number:
PCT/US2012/026513

(22) International Filing Date:
24 February 2012 (24.02.2012)

(25) Filing Language: English

(26) Publication Language: English

(30) Priority Data:
61/449,941 7 March 2011 (07.03.2011) US

(71) Applicant (for all designated States except US): **TYCO ELECTRONICS CORPORATION** [US/US]; 1050 Westlakes Drive, Berwyn, Pennsylvania 19312 (US).

(72) Inventors; and

(75) Inventors/Applicants (for US only): **MARMON, Thomas Ross** [US/US]; 473 Everland Parkway, Angier, North Carolina 27501 (US). **THOMPSON, Roy Keller** [US/US]; 407 Maple Creek Court, Apex, North Carolina 27502 (US).

(74) Agent: **TYCO ELECTRONICS CORPORATION**; 309 Constitution Drive, M/S R34-2A, Menlo Park, California 94025-1164 (US).

(81) Designated States (unless otherwise indicated, for every kind of national protection available): AE, AG, AL, AM, AO, AT, AU, AZ, BA, BB, BG, BH, BR, BW, BY, BZ, CA, CH, CL, CN, CO, CR, CU, CZ, DE, DK, DM, DO, DZ, EC, EE, EG, ES, FI, GB, GD, GE, GH, GM, GT, HN, HR, HU, ID, IL, IN, IS, JP, KE, KG, KM, KN, KP, KR, KZ, LA, LC, LK, LR, LS, LT, LU, LY, MA, MD, ME, MG, MK, MN, MW, MX, MY, MZ, NA, NG, NI, NO, NZ, OM, PE, PG, PH, PL, PT, QA, RO, RS, RU, RW, SC, SD, SE, SG, SK, SL, SM, ST, SV, SY, TH, TJ, TM, TN, TR, TT, TZ, UA, UG, US, UZ, VC, VN, ZA, ZM, ZW.

(84) Designated States (unless otherwise indicated, for every kind of regional protection available): ARIPO (BW, GH, GM, KE, LR, LS, MW, MZ, NA, RW, SD, SL, SZ, TZ, UG, ZM, ZW), Eurasian (AM, AZ, BY, KG, KZ, MD, RU, TJ, TM), European (AL, AT, BE, BG, CH, CY, CZ, DE, DK, EE, ES, FI, FR, GB, GR, HR, HU, IE, IS, IT, LT, LU, LV, MC, MK, MT, NL, NO, PL, PT, RO, RS, SE, SI, SK, SM, TR), OAPI (BF, BJ, CF, CG, CI, CM, GA, GN, GQ, GW, ML, MR, NE, SN, TD, TG).

[Continued on next page]

(54) Title: FIBER OPTIC SPLICE ENCLOSURES HAVING INTERCHANGEABLE ENDPLATE ASSEMBLIES AND METHODS INCLUDING THE SAME

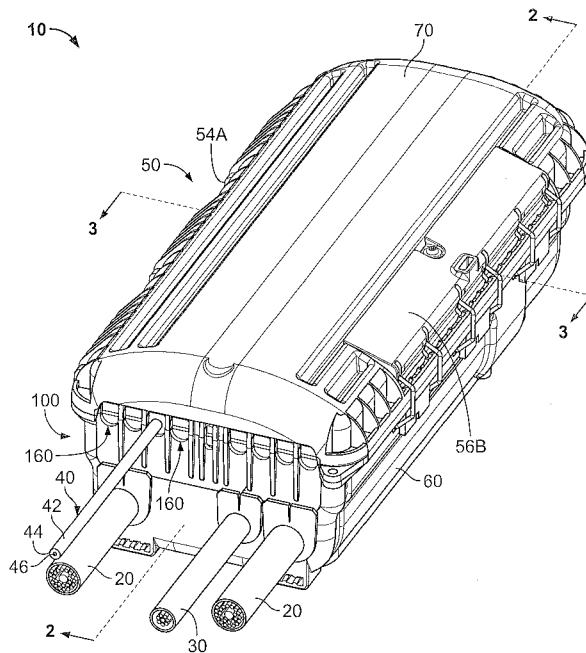


FIG. 1

(57) Abstract: A fiber optic splice enclosure system (10) includes an enclosure (50) and first (100) and second (200) endplate assemblies. The enclosure (50) defines an enclosure chamber (52). The first (100) and second (200) endplate assemblies are adapted to be interchangeably mounted on the enclosure (50) to provide different respective configurations for connecting fiber optic cables to the enclosure.

WO 2012/158233 A1

Published:

— *with international search report (Art. 21(3))*

**FIBER OPTIC SPLICE ENCLOSURES HAVING INTERCHANGEABLE
ENDPLATE ASSEMBLIES AND METHODS INCLUDING THE SAME**

RELATED APPLICATION(S)

[0001] The present application claims the benefit of and priority from U.S. Provisional Patent Application No. 61/449,941, filed March 7, 2011, the disclosure of which is hereby incorporated herein by reference in its entirety.

FIELD OF THE INVENTION

[0002] The present invention relates to communication cable termination systems and, more particularly, to optical fiber termination systems and methods for storing and terminating the same.

BACKGROUND OF THE INVENTION

[0003] An extensive infrastructure supporting telecommunication has been developed, traditionally based upon copper wire connections between individual subscribers and telecommunications company network distribution points. More recently, much of the telecommunications network infrastructure is being extended or replaced with an optical fiber based communications network infrastructure. The carrying capacity and communication rate capabilities of such equipment may exceed that provided by conventional copper wired systems.

[0004] As such, fiber optic cables are widely used for telecommunications applications where high information capacity, noise immunity and other advantages of optical fibers may be exploited. Fiber cable architectures are emerging for connecting homes and/or business establishments, via optical fibers, to a central location, for example. A trunk or main cable may be routed, for example, through a housing subdivision and small fiber count branch or drop cables may be spliced to the main cable at predetermined spaced apart locations.

[0005] A typical main cable may be installed underground and have multiple drop cables connected thereto, each of fifty feet or more. Each of the drop cables, in turn, may be routed to an optical network unit (ONU) serving several homes. Information may then be transmitted optically to the ONU, and into the home, via conventional copper cable technology or optically via optical fiber extending all the way to the home. Alternatively, the drop cables may be routed directly to the house (ONT). Thus, the drop cables may serve groups of users, although other architectures may also employ a main cable and one or more drop cables connected thereto.

SUMMARY OF THE INVENTION

[0006] According to embodiments of the present invention, a fiber optic splice enclosure system includes an enclosure and first and second endplate assemblies. The enclosure defines an enclosure chamber. The first and second endplate assemblies are adapted to be interchangeably mounted on the enclosure to provide different respective configurations for connecting fiber optic cables to the enclosure.

[0007] According to method embodiments of the present invention, a method for using a fiber optic splice system includes providing a fiber optic splice enclosure system including an enclosure and first and second endplate assemblies. The enclosure defines an enclosure chamber. The first and second endplate assemblies are adapted to be interchangeably mounted on the enclosure to provide different respective configurations for connecting fiber optic cables to the enclosure. The method further includes: selecting one of the first and second endplate assemblies; and mounting the selected one of the first and second endplate assemblies on the enclosure.

[0008] Further features, advantages and details of the present invention will be appreciated by those of ordinary skill in the art from a reading of the figures and the detailed description of the preferred embodiments that follow, such description being merely illustrative of the present invention.

BRIEF DESCRIPTION OF THE DRAWINGS

[0009] **Figure 1** is a front perspective view of a multi-drop closure system according to embodiments of the present invention with a first endplate configuration.

[00010] **Figure 2** is a cross-sectional view of the multi-drop closure system of **Figure 1** taken along the line 2-2 of **Figure 1**, with the first endplate configuration.

[00011] **Figure 3** is a cross-sectional view of the multi-drop closure system of **Figure 1** taken along the line 3-3 of **Figure 1**, with the first endplate configuration.

[00012] **Figure 4** is an exploded, fragmentary, perspective view of the multi-drop closure system of **Figure 1**, with the first endplate configuration.

[00013] **Figure 5** is a front perspective view of the multi-drop closure system of **Figure 1** with a second endplate configuration.

[00014] **Figure 6** is an exploded, fragmentary, perspective view of the multi-drop closure system of **Figure 1**, with the second endplate configuration.

[00015] **Figure 7** is an enlarged, fragmentary, cross-sectional view of the multi-drop closure system of **Figure 1** taken along the line 7-7 of **Figure 5**, with the second endplate configuration.

DETAILED DESCRIPTION OF EMBODIMENTS OF THE INVENTION

[00016] The present invention now will be described more fully hereinafter with reference to the accompanying drawings, in which illustrative embodiments of the invention are shown. In the drawings, the relative sizes of regions or features may be exaggerated for clarity. This invention may, however, be embodied in many different forms and should not be construed as limited to the embodiments set forth herein; rather, these embodiments are provided so that this disclosure will be thorough and complete, and will fully convey the scope of the invention to those skilled in the art.

[00017] It will be understood that, although the terms first, second, etc. may be used herein to describe various elements, components, regions, layers and/or sections, these elements, components, regions, layers and/or sections should not be limited by these terms. These terms are only used to distinguish one element, component, region, layer or section from another region, layer or section. Thus, a first element, component, region, layer or section discussed below could be termed a second element, component, region, layer or section without departing from the teachings of the present invention.

[00018] Spatially relative terms, such as "beneath", "below", "lower", "above", "upper" and the like, may be used herein for ease of description to describe one

element or feature's relationship to another element(s) or feature(s) as illustrated in the figures. It will be understood that the spatially relative terms are intended to encompass different orientations of the device in use or operation in addition to the orientation depicted in the figures. For example, if the device in the figures is turned over, elements described as "below" or "beneath" other elements or features would then be oriented "above" the other elements or features. Thus, the exemplary term "below" can encompass both an orientation of above and below. The device may be otherwise oriented (rotated 90° or at other orientations) and the spatially relative descriptors used herein interpreted accordingly.

[00019] As used herein, the singular forms "a", "an" and "the" are intended to include the plural forms as well, unless expressly stated otherwise. It will be further understood that the terms "includes," "comprises," "including" and/or "comprising," when used in this specification, specify the presence of stated features, steps, operations, elements, and/or components, but do not preclude the presence or addition of one or more other features, steps, operations, elements, components, and/or groups thereof. It will be understood that when an element is referred to as being "connected" or "coupled" to another element, it can be directly connected or coupled to the other element or intervening elements may be present. As used herein, the term "and/or" includes any and all combinations of one or more of the associated listed items.

[00020] Unless otherwise defined, all terms (including technical and scientific terms) used herein have the same meaning as commonly understood by one of ordinary skill in the art to which this invention belongs. It will be further understood that terms, such as those defined in commonly used dictionaries, should be interpreted as having a meaning that is consistent with their meaning in the context of this specification and the relevant art and will not be interpreted in an idealized or overly formal sense unless expressly so defined herein.

[00021] Some embodiments of the present invention provide an enclosure system for use with fiber optic cabling. The enclosure system may make it easier to access and splice fibers running to living units or other customer locations at or near the end of fiber runs.

[00022] In some embodiments, the enclosure system includes an enclosure including some and/or all of the following features. The enclosure system may

include an enclosure containing entry and/or egress points for fiber optic cables. One entry point may be used for an entering cable (feeder), one or more entry points may be used for branch and/or drop cable(s) exit, and a third may be used for exiting feeder (express) cable. The enclosure system may be a multi-drop or tap-off closure.

[00023] According to some embodiments of the present invention, a pass through fiber optic closure is provided. The closure is configured to receive a segment of a fiber optic cable, such that fibers thereof are expressed (uncut) through the closure without severing a buffer tube or buffer tubes of the cable segment (*i.e.*, one or more of the buffer tubes are expressed through the closure). According to some embodiments of the present invention, an outer protective buffer tube of the cable segment extends fully and continuously through the closure.

[00024] According to embodiments of the present invention, a telecommunications fiber optics splice enclosure is configurable for different fiber drop types by having changeable endplates to accommodate different methods for terminating a fiber drop cable. The enclosure can be configured for different fiber drop types simply by changing the drop cable endplate to a different or alternative type or configuration. This can be accomplished in the factory or in the field. The enclosure can thus be assembled to accommodate field splice or field terminated drop cables in one configuration, or assembled to accommodate factory terminated, hardened fiber optic drops in an alternative configuration. Embodiments of the invention allow for a single enclosure type to be configurable for multiple drop cable types using the basic enclosure for either application. This limits the need for complete tooling for two separate enclosures. It also allows the enclosure to be configurable and reconfigured in the field.

[00025] Embodiments of the present invention will now be further described with reference to **Figures 1-7**. A multi-drop enclosure system **10** for coupling an optical fiber branch cable **30** and/or optical fiber drop cables **40** to an optical fiber main cable **20** at a termination point to form a splice connection assembly is shown in **Figures 1 and 5**. The system **10** includes an enclosure **50**. The optical fiber main cable **20** may be, for example, a feed from a service provider central office intended to provide service to individual subscriber locations in various locations in the field. The termination point may be positioned in the proximity of a neighborhood or the like and the branch cable **30** and the drop cables **40** may deliver an optical fiber

connection to the subscriber location and/or to a junction box or the like where, for example, a copper connection may be routed for the last leg to the subscriber location. Alternatively, drop cables **40** may be routed directly from the enclosure system **10** to the subscriber location (*e.g.*, house). The portion of the cable **20** shown in the figures corresponds to a termination point, where a splice may be made to the main cable **20**, and it will be understood that there are typically branch and drop cables spliced to the main cable **20** at a plurality of longitudinally displaced termination points selected to be positioned at desired locations in the field, such as in a neighborhood or the like.

[00026] With reference to **Figure 3**, the illustrated optical fiber main cable **20** includes a cable jacket **22** surrounding a plurality or bundle of buffer tubes **24**, and one or more optical fibers **26** extending through each buffer tube **24**. The cable **20** may including further components such as a tubular metal grounding shield, or one or more strength members. According to other embodiments, the cable **20** may include one or more fiber optic ribbons surrounded by a jacket. It will be appreciated that the description herein regarding routing, placement and organizing of the buffer tubes **24** likewise applies to fiber optic ribbons. However, in the case of a fiber optic ribbon cable, the buffer tube thereof typically will be severed to expose all of the ribbons rather than expressed through the enclosure **50**.

[00027] Referring to **Figure 3**, the branch cable **30** may include an outer jacket **32**, one or more buffer tubes **34** extending longitudinally through the outer jacket **32**, and one or more optical fibers **36** (typically, a plurality, *e.g.*, seventy-two) extending through the buffer tube(s) **34**. The fibers **36** may be grouped in respective buffer tubes **34**. For example, in a seventy-two fiber cable **30**, there may be six buffer tubes **34** with twelve fibers **36** in each buffer tube **34**. According to other embodiments, the cable **30** may include one or more fiber optic ribbons surrounded by a jacket and a buffer tube. It will be appreciated that the description herein regarding routing, placement and organizing of the buffer tubes **34** likewise applies to fiber optic ribbons.

[00028] Each drop cable **40** (**Figure 1**) may likewise include an outer jacket **42**, a buffer tube **44** extending longitudinally through the outer jacket, and one or more optical fibers **46** extending through the buffer tube **44**.

[00029] The fiber optic enclosure system **10** includes an enclosure **50**, one or more splice trays **80** (**Figures 2 and 3**), a tray tower **82**, grommets **54**, and

interchangeable end wall or endplate assemblies **100** (Figures 1, 2 and 4) and **200** (Figures 1-7). The system **10** may further include a fiber optic pigtail **45** (Figure 7).

[00030] The enclosure **50** includes a base **60** and a lid or cover **70**. The base **60** and the cover **70** collectively define an enclosure chamber **52** (Figure 2). As discussed in more detail below, the endplate assemblies **100**, **200** also define a part of the chamber **52**. The base **60** and the cover **70** are coupled together by a hinge **56A** on one lateral side and a latch or clasp **56B** on the opposing lateral side. The cover **70** can be pivoted about the hinge **56A** between an open position allowing access for organizing or splicing optical fibers in the chamber **52** and a closed position extending over an access opening to the chamber **52** defined by the base **60**. In the closed position, the interface between the base **60** and the cover **70** may be environmentally sealed so as to allow repeated access to the chamber **52** while maintaining an environmentally sealed space for splices when the cover **70** is in the closed position. The cover **70** can be secured in the closed position by clamps, latches, straps or any other suitable mechanisms. Strain relief clamps may be secured to the base **60** to secure the cables **20**, **30**.

[00031] With reference to Figure 4, the base **60** includes an end wall **62** having a locator slot **62A** and cable slots **62B** defined therein. The base **60** further defines an endplate slot **64**. The base **60** has opposed side posts **66** each having a threaded fastener bore **66A** therein.

[00032] The grommets **54** are mounted in the cable slots **62B**. Each grommet **54** includes a port **54A** and a radially and longitudinally extending slit **54B**. The grommets **54** may be formed of an elastomeric or other suitable sealing material.

[00033] The cover **70** includes an end wall **72** having an endplate mount slot **74** defined therein.

[00034] The base **60** and the cover **70** may be formed of any suitable rigid or semi-rigid material. According to some embodiments, the base **60** and the cover **70** are formed of a polymeric material. According to some embodiments, the base **60** and the cover **70** are formed of a polymeric material selected from the group consisting of polypropylene, polyethylene, nylon, ABS and PMMA. According to some embodiments, the base **60** and the cover **70** are each unitarily molded and, according to some embodiments, are each unitarily injection molded.

[00035] With reference to **Figure 4**, the endplate assembly **100** includes an upper gasket carrier **110**, a lower gasket carrier **120**, an upper gasket **140**, a lower gasket **142**, a top threaded fastener (e.g., self-tapping screw) **150**, and side threaded fasteners **152**.

[00036] The upper gasket carrier **110** includes a base **112** and a series of partitions **114** extending from the base **112**. A series of slots **114A** are defined between the partitions **114**. A fastener hole **116** extends through the base **112**. A downwardly facing gasket slot **119** is defined in the carrier **110**.

[00037] The lower gasket carrier **120** includes a base **122** having a locator feature **122A**. The lower gasket carrier **120** further includes a series of partitions **124** defining a series of slots **124A** therebetween. Fastener holes **126** and side slots **128** are located at on either lateral side of the base **122**. An upwardly facing gasket slot **129** is defined the carrier **120**.

[00038] The gasket carriers **110**, **120** may be formed of any suitable rigid or semi-rigid material. The gasket carriers **110**, **120** may be formed of different material than the cover **70** and base **60**. According to some embodiments, the gasket carriers **110**, **120** are formed of a polymeric material. According to some embodiments, the gasket carriers **110**, **120** are formed of a polymeric material selected from the group consisting of polypropylene, polyethylene, nylon, ABS and PMMA. According to some embodiments, the gasket carriers **110**, **120** are each unitarily molded and, according to some embodiments, are each unitarily injection molded.

[00039] The upper gasket **140** may include two gasket layers **140A** that are bonded together. The upper gasket **140** is seated in the gasket carrier slot **119** such that an engagement surface **140B** faces downwardly. The gasket **140** is secured in the slot **119** by adhesive, for example.

[00040] The lower gasket **142** may include two gasket layers **142A** that are bonded together. The lower gasket **142** is seated in the gasket carrier slot **129** such that an engagement surface **142B** faces upwardly. The gasket **142** is secured in the slot **129** by adhesive, for example.

[00041] The gaskets **140**, **142** may be formed of any suitable material such as, for example, compressible elastomeric foam.

[00042] With reference to **Figure 6**, the endplate assembly **200** includes a faceplate **210** having a bottom edge portion **212**, a top edge portion **214**, and a locator

feature **216** depending from the bottom edge portion **212**. A plurality of connector ports **220** extend through the faceplate **210** and are each surrounded by an annular O-ring pocket groove **222**. Side slots **224** and fastener holes **226** are provided on opposed ends of the faceplate **210**.

[00043] The faceplate **210** may be formed of any suitable rigid or semi-rigid material. According to some embodiments, the faceplate **210** is formed of a polymeric material. According to some embodiments, the faceplate **210** is formed of a polymeric material selected from the group consisting of polypropylene, polyethylene, nylon, ABS and PMMA. According to some embodiments, the faceplate **210** is unitarily molded and, according to some embodiments, are each unitarily injection molded.

[00044] A hardened fiber optic connector (HFOC) or fiber optic connector assembly **240** (**Figures 6 and 7**) is mounted or seated in each port **220**. Each connector assembly **240** includes a body **242**, a front end connector **244**, a back end connector **246**, a threaded portion **242A**, a cap **250**, an O-ring **252**, and a nut **254** mounted on each threaded portion **242A**. The O-rings **252** are seated in the O-ring pocket grooves **222** to form an environmental seal about the connector assembly **240**. The fiber optic connector assemblies **240** may include any suitable type of fiber optic connector. Suitable fiber optic connectors may include the DLX fiber optic connector available from ADC Telecommunications.

[00045] The enclosure system **10** may be assembled as follows in accordance with embodiments of the invention. The enclosure **50**, the tray tower **82** and the splice trays **80** may be assembled in known or other suitable manner. For example, the splice trays **80** can be pivotally mounted on the tray tower **82** to cantilever therefrom.

[00046] The appropriate one of the endplate assemblies **100**, **200** is chosen depending on the intended usage or functionality of the fully assembled fiber optic enclosure. More particularly, if it is desired to enable an installer to route drop cables directly into the chamber **52** rather than terminating at a fiber optic connector on the exterior of the enclosure **50**, the endplate assembly **100** is installed. On the other hand, if it is desired to enable an installer to terminate a drop cable at a fiber optic connector on the exterior of the enclosure **50**, the endplate assembly **200** is installed. According to some embodiments, this selection and the endplate assembly installing

steps described below are executed by the manufacturer (*i.e.*, at the factory) and delivered to the end user or installer preconfigured. According to some embodiments, this selection and the endplate assembly installing steps described below are executed by the installer in the field, for example. In the latter case, the installer may be provided with a kit or inventory including enclosures **50**, endplate assemblies **100**, and endplate assemblies **200** to be combined as needed.

[00047] Generally and with further details discussed below, according to some embodiments, an endless length of the main cable **20** is routed into and out of the enclosure **50**. The main cable **20** may be coiled in the chamber **52**. Typically, a section of the jacket **22** is removed to expose a bundle of buffer tubes (or ribbons) **24** containing optical fibers. When it is desired to terminate a branch cable **30** or a drop **40** to a fiber or fibers **26** of the cable **20**, the enclosure housing **50** is opened or retained in the open position to provide access to the trays **80**. The cable **30**, **40** is trimmed and inserted into the enclosure through a suitable port. The installer can select and sever a corresponding fiber **26** from a selected buffer tube **24** (or ribbon). If necessary, the installer cuts the buffer tube **24** to access the fiber. The cut fiber **26** is routed to the branch fiber **36** or drop fiber **46** on the top side of a tray **80** and suitably spliced (*e.g.*, fused or mechanically spliced) to the fiber **36**, **46**. The splice formed thereby may be mounted in the splice tray **80**. The installer can thereafter close the cover **70**.

[00048] In some cases, the manufacturer or installer may (*e.g.*, at the time of the initial installation or subsequently) sever a buffer tube **24** or a fiber **26** and splice the fiber **26** as described above while leaving one or more of the other buffer tubes or fibers of the buffer tube (or ribbon) from which the fiber is separated uncut (*i.e.*, the remaining fibers of the buffer tube or ribbon remain intact and are expressed).

[00049] In some cases, for example as described herein, one or more pigtailed **45** are spliced to respective fibers **26** of the main cable **20** and are each plugged into the back of a respective connector assembly **240**. This would typically be done in the field at the time the enclosure **50** is installed. The spliced pigtailed **45** plugged into the backs of the connector assemblies **240** would then be waiting available for drop cables **40** to be plugged in (*e.g.*, on a customer-by-customer basis when service is required). Optionally, the enclosure **50** may be manufactured, pre-assembled and provided to the installer as a “stubbed” version with the splicing of the pigtailed **45** to

the main cable **20** being done in the factory, with the pigtails **45** being plugged into the backs of the connector assemblies **240** at the factory as well.

[00050] The foregoing procedures can be used to splice additional drop cables to the main cable **20**. While the splice is described above with respect to a single branch or drop fiber, the branch or drop cable may include multiple fibers that may be spliced to multiple ones of the main cable fibers, individually or as a mass splice. Multiple branch or drop cables may be spliced to the main cable fibers.

[00051] Having described exemplary uses of the enclosure, methods and apparatus for installing the cables **20**, **30**, **40** in the enclosure **50** will now be described in more detail.

[00052] With reference to **Figure 4**, in order to configure the enclosure in a field splice configuration, the upper gasket carrier **110** is inserted into the slot **74** of the cover **70** and secured by a fastener **150** inserted through the hole **116** and into the cover **70**. The lower gasket carrier **142** is inserted into the slot **64** such that the locator feature **122A** seats in the locator slot **62A**. The lower gasket carrier **120** is removably secured on the base **60** by screws **152** inserted through the holes **126** and the screw bores **66A**. The gaskets **140**, **142** may be mounted in the gasket carriers **110**, **120** before or after mounting the gasket carriers **110**, **120** on the enclosure **50**.

[00053] In use, an endless length of the main cable **20** can be routed into and out of the chamber **52** through the ports **54A**. More particularly, the cover **70** is opened and the screws **152** are removed from the holes **126** and the screw bores **66A** to release the lower gasket carrier **120**. The lower gasket carrier **120** is lifted out to expose the slits **54B** in the grommets **54**. Sections of the cable **20** can then be pressed down laterally through the slits **54B** and the open top sides of the slots **62B** to install the cable **20** in the ports **54A**. Typically, the operator will pull the grommet **54** out of the selected cable slot **62B**, insert the cable **20** into the grommet **54** (laterally through the slit **54B** or axially through the port **54A**), and then re-install the grommet **54** with the cable **20** therein in the cable slot **62B** by pushing the grommet **54** laterally down into the cable slot **62B**. The lower gasket carrier **120** is then re-inserted into the slot **64** such that the locator feature **122A** seats in the locator slot **62A**, and removably secured on the base **60** by the screws **152** inserted through the holes **126** and the screw bores **66A**. The branch cable **30** can be routed into the chamber **52** through one of the ports **54A** in the same manner. The installed lower gasket carrier will prevent lateral

removal of the cables **20**, **30** from the ports **54A** through the slits **54B**. Ordinarily, it will not be necessary to access the slits **54B** again. However, the slits **54B** can be exposed again using the foregoing technique, if desired. One or more fibers **36** of the branch cable **30** can be spliced to fibers **26** of the main cable **20** as discussed above.

[00054] When a user wishes to splice a fiber or fibers **46** of a drop cable **40** to the main cable **20**, the user can open the cover **70** and make the desired splices in the chamber **52**. The user can route the drop cable **40** between the gaskets **140**, **142** and close the cover **70** onto the base **60** such that the gaskets **140**, **142** compress about the drop cable **40** and the cable **40** seats in a pass through port **160** defined by the opposed and mated slots **114A**, **124A**. One or more additional drop cables **40** can be spliced and sealed in the same manner and each such cable **40** may be routed through a respective port **160** as shown in **Figure 1**. In the illustrated endplate assembly **100**, the centermost port **160** is adapted to receive a flat drop cable **40** whereas the remaining ports **160** are configured to receive flat or round drop cables **40** of varying diameters.

[00055] In order to configure the enclosure system **10** in a hardened drop configuration, the bottom edge portion **212** of the endplate assembly **200** is inserted into the slot **64** of the base **60** and the locator feature **216** is inserted in the slot **62A**. The side posts **66** are received in the side slots **224**. The endplate assembly **200** is removably secured on the base **60** by screws **228** inserted through the holes **226** and the screw bores **66A**. When the cover **70** is closed, the upper edge portion **214** is received in the slot **74** of the cover **70**.

[00056] In order to install the cables **20** and **40**, the screws **228** can be removed from the holes **226** and the screw bores **66A** and the endplate assembly can be lifted out of the base **60** generally as described above for the lower gasket carrier **120** to access the slits **54B** of the grommets. Once the cable(s) **20** and/or **40** have been installed, the endplate assembly **200** can be reinstalled on the base **60**.

[00057] When a user wishes to terminate a connectorized cable or optical fiber to the enclosure, the user can select a fiber optic connector assembly **240**, remove the cap **250** therefrom, and engage the drop cable connector **48** with the front end connector **244** as shown in **Figure 5**. It will be appreciated that, in order to complete the connection to another optical fiber in the enclosure **50** (*e.g.*, a main cable fiber **26**), the back end connector **246** must also be connected to a fiber within the

enclosure. This may be accomplished in any suitable manner such as, for example, by use of a pigtail **45** (**Figure 7**) having a fiber optic connector **49** and an optical fiber segment extending to a splice tray **80**.

[00058] Thus, fiber optic enclosure systems according to embodiments of the present invention (e.g., the fiber optic enclosure system **10**) can provide enhanced flexibility in use and/or manufacture. The fiber optic enclosure systems can thereby reduce the costs associated with manufacturing enclosures or maintaining a supply of enclosures in inventory.

[00059] While particular configurations of endplate assemblies have been described and illustrated, other configurations may be employed. For example, the endplate assembly may have more or fewer fiber optic connectors, drop cable slots of different shapes, sizes and arrangements, and/or different types of cable sealing gaskets.

[00060] The foregoing is illustrative of the present invention and is not to be construed as limiting thereof. Although a few exemplary embodiments of this invention have been described, those skilled in the art will readily appreciate that many modifications are possible in the exemplary embodiments without materially departing from the novel teachings and advantages of this invention. Accordingly, all such modifications are intended to be included within the scope of this invention. Therefore, it is to be understood that the foregoing is illustrative of the present invention and is not to be construed as limited to the specific embodiments disclosed, and that modifications to the disclosed embodiments, as well as other embodiments, are intended to be included within the scope of the invention.

THAT WHICH IS CLAIMED IS:

1. A fiber optic splice enclosure system comprising:
an enclosure defining an enclosure chamber; and
first and second endplate assemblies adapted to be interchangeably mounted on the enclosure to provide different respective configurations for connecting fiber optic cables to the enclosure.
2. The fiber optic splice enclosure system of Claim 1 wherein the first endplate assembly is configured to terminate a fiber optic cable using a first termination method, and the second endplate assembly is configured to terminate a fiber optic cable using a second termination method different from the first termination method.
3. The fiber optic splice enclosure system of Claim 2 wherein:
the first endplate assembly includes a cable pass through port;
the first termination method includes passing the fiber optic cable through the cable pass through port into the enclosure chamber and splicing an optical fiber of the fiber optic cable within the enclosure chamber;
the second endplate assembly includes an optical fiber connector; and
the second termination method includes terminating an optical fiber of the fiber optic cable to the optical fiber connector.
4. The fiber optic splice enclosure system of Claim 3 wherein the first endplate assembly includes first and second resilient gaskets on opposed sides of the pass through port, and the first and second resilient gaskets are adapted to receive the fiber optic cable therebetween to form an environmental seal about the fiber optic cable.
5. The fiber optic splice enclosure system of Claim 1 wherein:
the first and second endplate assemblies are each configured to connect a drop fiber optic cable to the enclosure; and

the enclosure includes a main port configured to receive a main fiber optic cable into the enclosure chamber.

6. The fiber optic splice enclosure system of Claim 5 wherein:

the main port has a side opening on a lateral side thereof to enable a section of the main fiber optic cable to be inserted laterally into the main port; and

each of the first and second endplate assemblies, when mounted on the enclosure, closes the side opening of the main port to prevent lateral removal of the main fiber optic cable from the main port.

7. The fiber optic splice enclosure system of Claim 5 including a resilient grommet mounted in the main port to form an environmental seal about the main fiber optic cable.

8. The fiber optic splice enclosure system of Claim 1 wherein:

the enclosure includes an enclosure cover and an enclosure base relatively movable between an open position and a closed position defining the enclosure chamber;

the first endplate assembly includes an upper member mountable on the enclosure cover for movement therewith, and a lower member mountable on the enclosure base to move therewith; and

the upper and lower members are movable with the enclosure cover and the enclosure base, respectively, to close about the fiber optic cable when the enclosure is transitioned into its closed position.

9. The fiber optic splice enclosure system of Claim 8 wherein:

the upper member includes an upper gasket carrier and a first resilient gasket mounted on the upper gasket carrier;

the lower member includes a lower gasket carrier and a second resilient gasket mounted on the lower gasket carrier; and

when the enclosure is in its closed position with a section of the fiber optic cable therebetween, the first and second resilient gaskets form an environmental seal about the fiber optic cable.

10. The fiber optic splice enclosure system of Claim 9 wherein:
the upper and lower gasket carriers each define a plurality of open slots; and

when the enclosure is in its closed position, the open slots of the upper gasket carrier combine with the open slots of the lower gasket carrier to form a plurality of fiber optic cable pass through ports.

11. The fiber optic splice enclosure system of Claim 1 wherein the second endplate assembly includes:

an endplate body; and

an optical fiber connector mounted on the endplate body and configured to terminate an optical fiber of the fiber optic cable.

12. The fiber optic splice enclosure system of Claim 11 wherein the second endplate assembly includes a plurality of optical fiber connectors mounted on the endplate body and each configured to terminate a respective optical fiber.

13. The fiber optic splice enclosure system of Claim 11 including a pigtail connector connected to the optical fiber connector and an optical fiber segment extending from the pigtail connector and into the enclosure chamber.

14. The fiber optic splice enclosure system of Claim 1 including a splice tray disposed in the enclosure chamber.

15. A method for using a fiber optic splice system, comprising:
providing a fiber optic splice enclosure system including:
an enclosure defining an enclosure chamber; and
first and second endplate assemblies adapted to be interchangeably mounted on the enclosure to provide different

respective configurations for connecting fiber optic cables to the enclosure;
selecting one of the first and second endplate assemblies; and
mounting the selected one of the first and second endplate assemblies on the enclosure.

16. The method of Claim 15 wherein the steps of selecting one of the first and second endplate assemblies and mounting the selected one of the first and second endplate assemblies on the enclosure are executed by an installer proximate the time of terminating a fiber optic cable at the enclosure.

17. The method of Claim 1 wherein the first endplate assembly is configured to terminate a fiber optic cable using a first termination method, and the second endplate assembly is configured to terminate a fiber optic cable using a second termination method different from the first termination method.

18. The method of Claim 17 wherein:
the first endplate assembly includes a cable pass through port;
the first termination method includes passing the fiber optic cable through the cable pass through port into the enclosure chamber and splicing an optical fiber of the fiber optic cable within the enclosure chamber;
the second endplate assembly includes an optical fiber connector; and
the second termination method includes terminating an optical fiber of the fiber optic cable to the optical fiber connector.

19. The method of Claim 15 wherein:
the first and second endplate assemblies are each configured to connect a drop fiber optic cable to the enclosure;
the enclosure includes a main port configured to receive a main fiber optic cable into the enclosure chamber, the main port having a side opening on a lateral side thereof; and
the method includes:

inserting a section of the main fiber optic cable laterally into the main port; and thereafter

mounting the selected one of the first and second endplate assemblies on the enclosure such that the selected one of the first and second endplate assemblies closes the side opening of the main port to prevent lateral removal of the main fiber optic cable from the main port.

20. The method of Claim 1 wherein:

the enclosure includes an enclosure cover and an enclosure base relatively movable between an open position and a closed position defining the enclosure chamber;

the first endplate assembly includes has an upper member mountable on the enclosure cover for movement therewith, and a lower member mountable on the enclosure base to move therewith;

the upper and lower members are movable with the enclosure cover and the enclosure base, respectively, to close about the fiber optic cable when the enclosure is transitioned into its closed position;

the upper member includes an upper gasket carrier and a first resilient gasket mounted on the upper gasket carrier;

the lower member includes a lower gasket carrier and a second resilient gasket mounted on the lower gasket carrier; and

the method includes moving the enclosure to its closed position with a section of the fiber optic cable therebetween, to capture the section of the fiber optic cable between the first and second resilient gaskets such that the first and second resilient gaskets form an environmental seal about the fiber optic cable.

21. The method of Claim 20 wherein:

the second endplate assembly includes:

an endplate body; and

an optical fiber connector mounted on the endplate body; and

the method includes:

selecting and mounting the second endplate assembly
on the enclosure; and

connecting an optical fiber of the fiber optic cable to the
optical fiber connector.

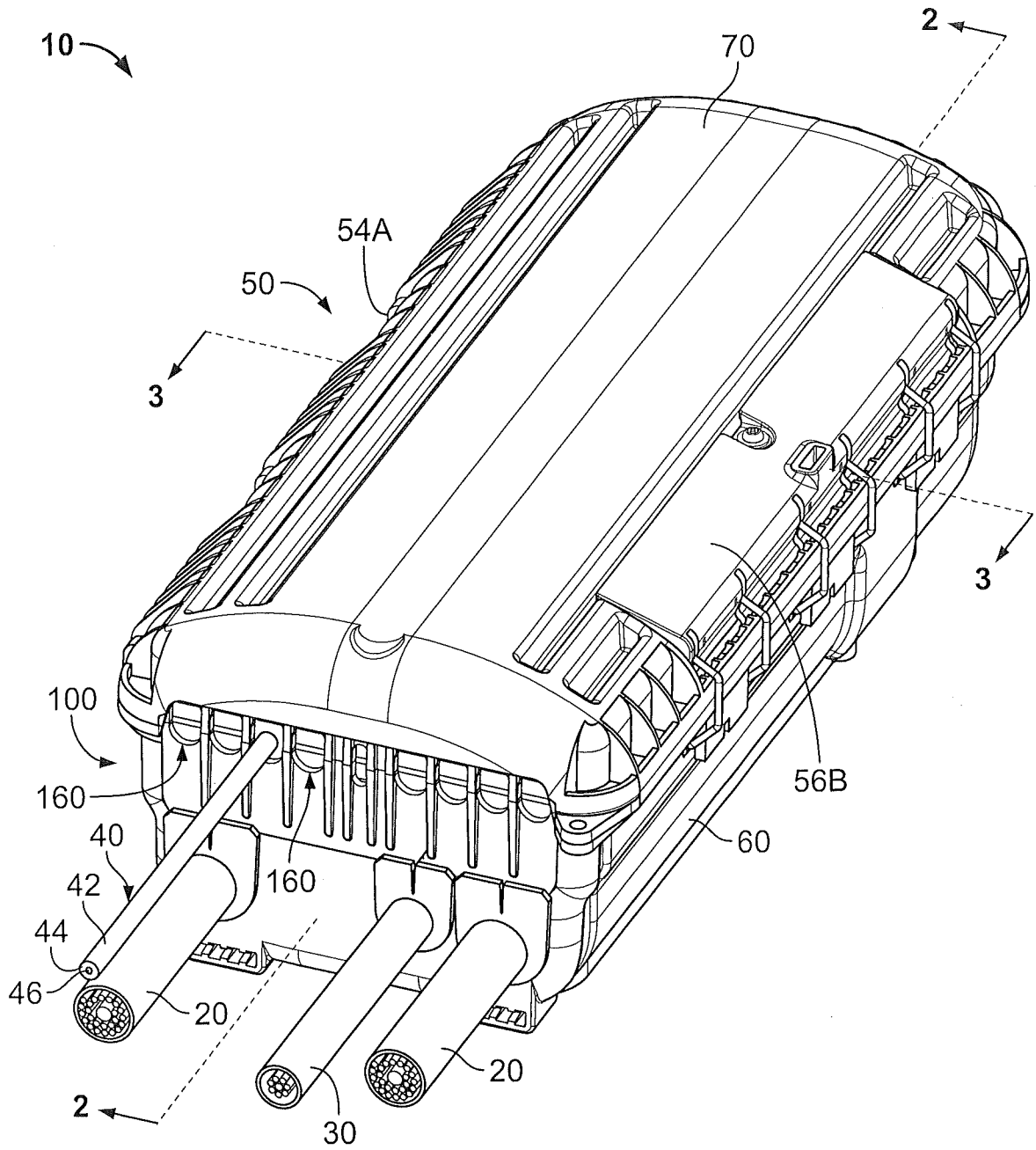


FIG. 1

2/7

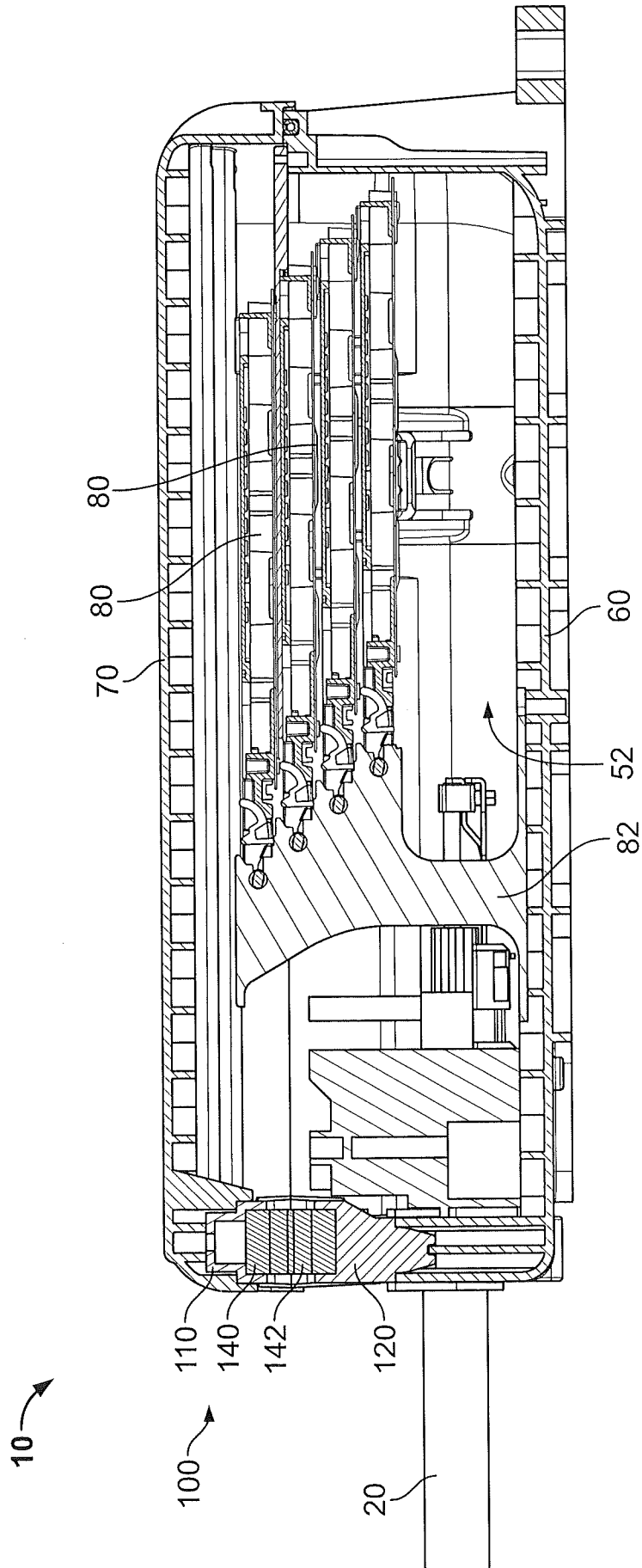
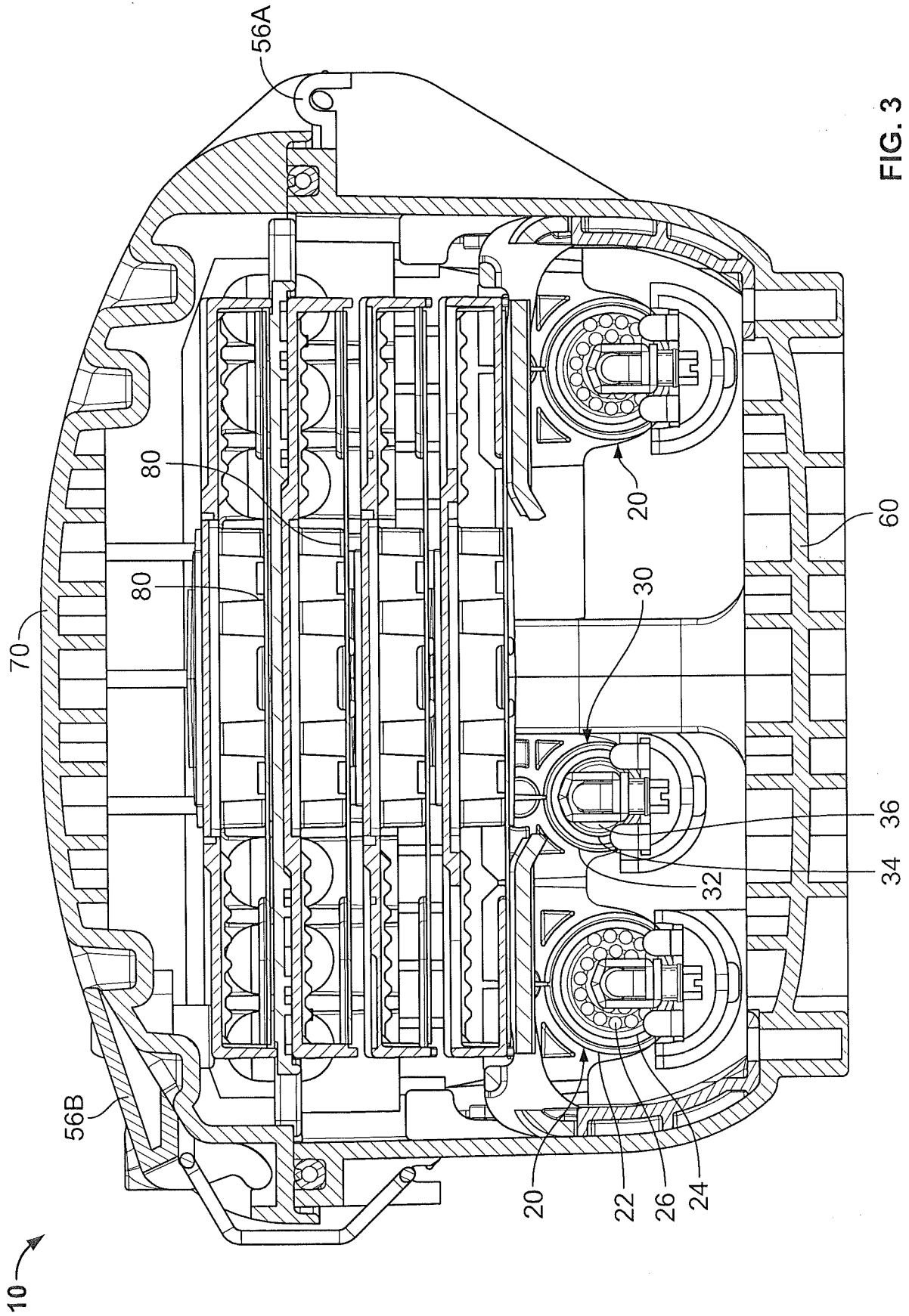


FIG. 2



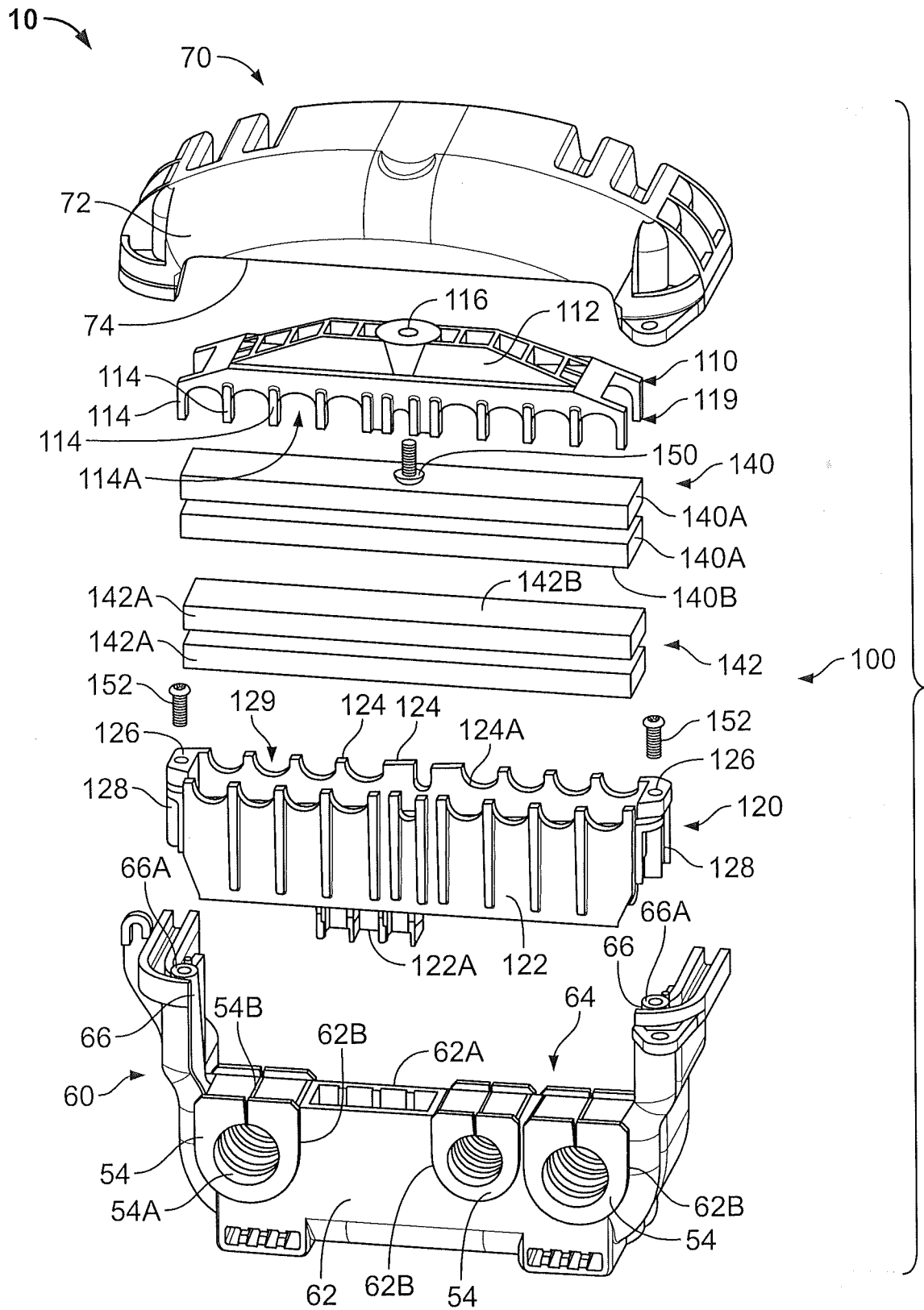


FIG. 4

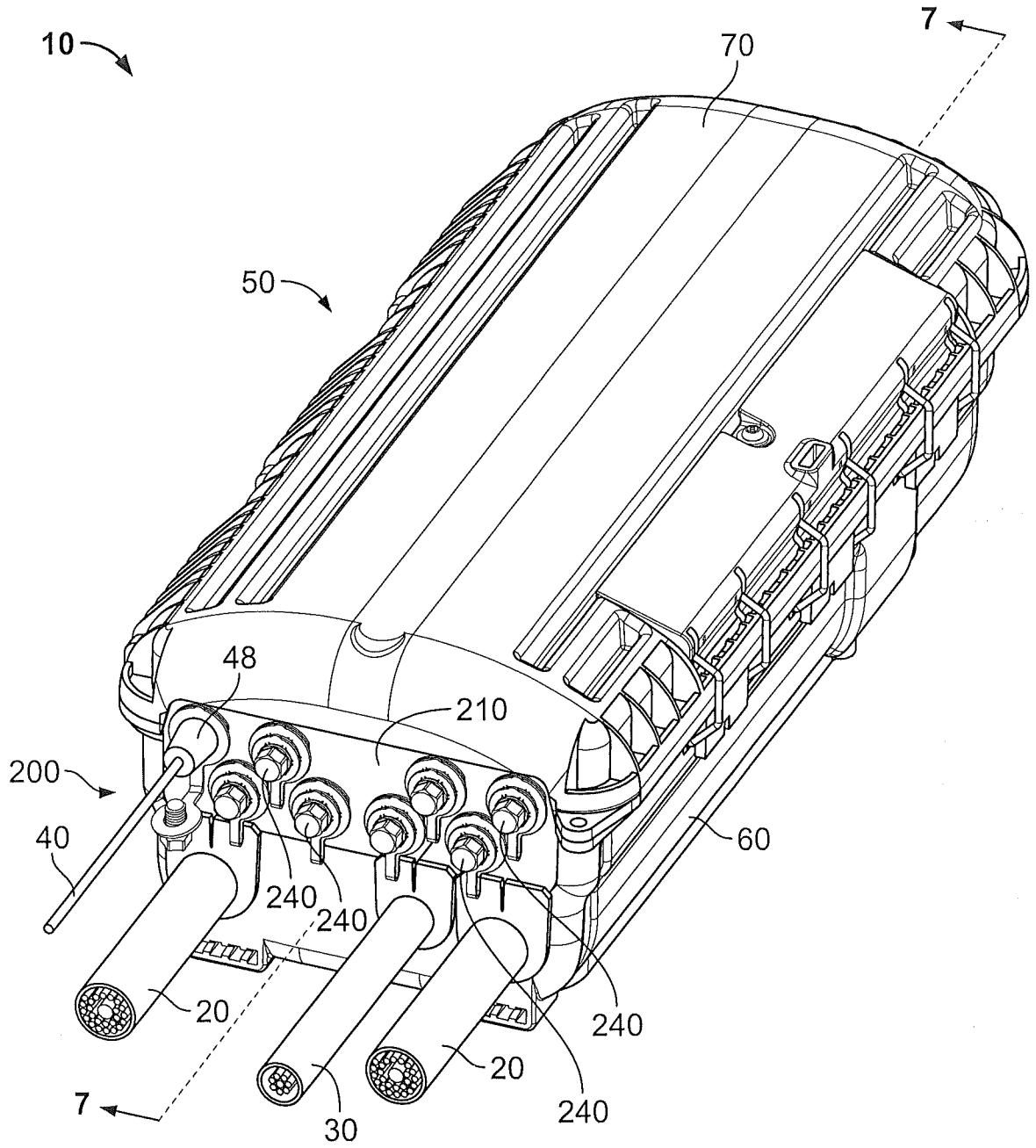


FIG. 5

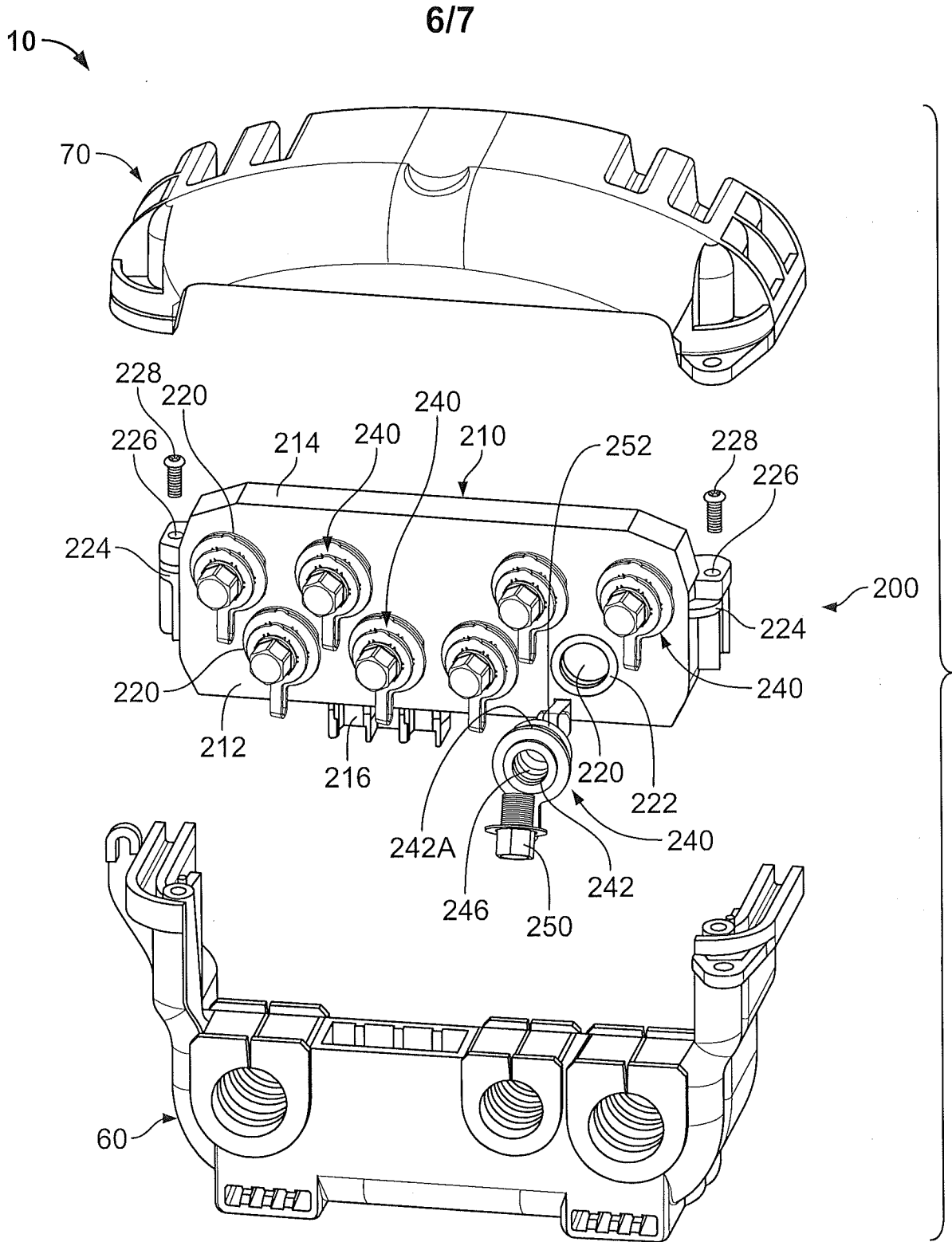


FIG. 6

7/7

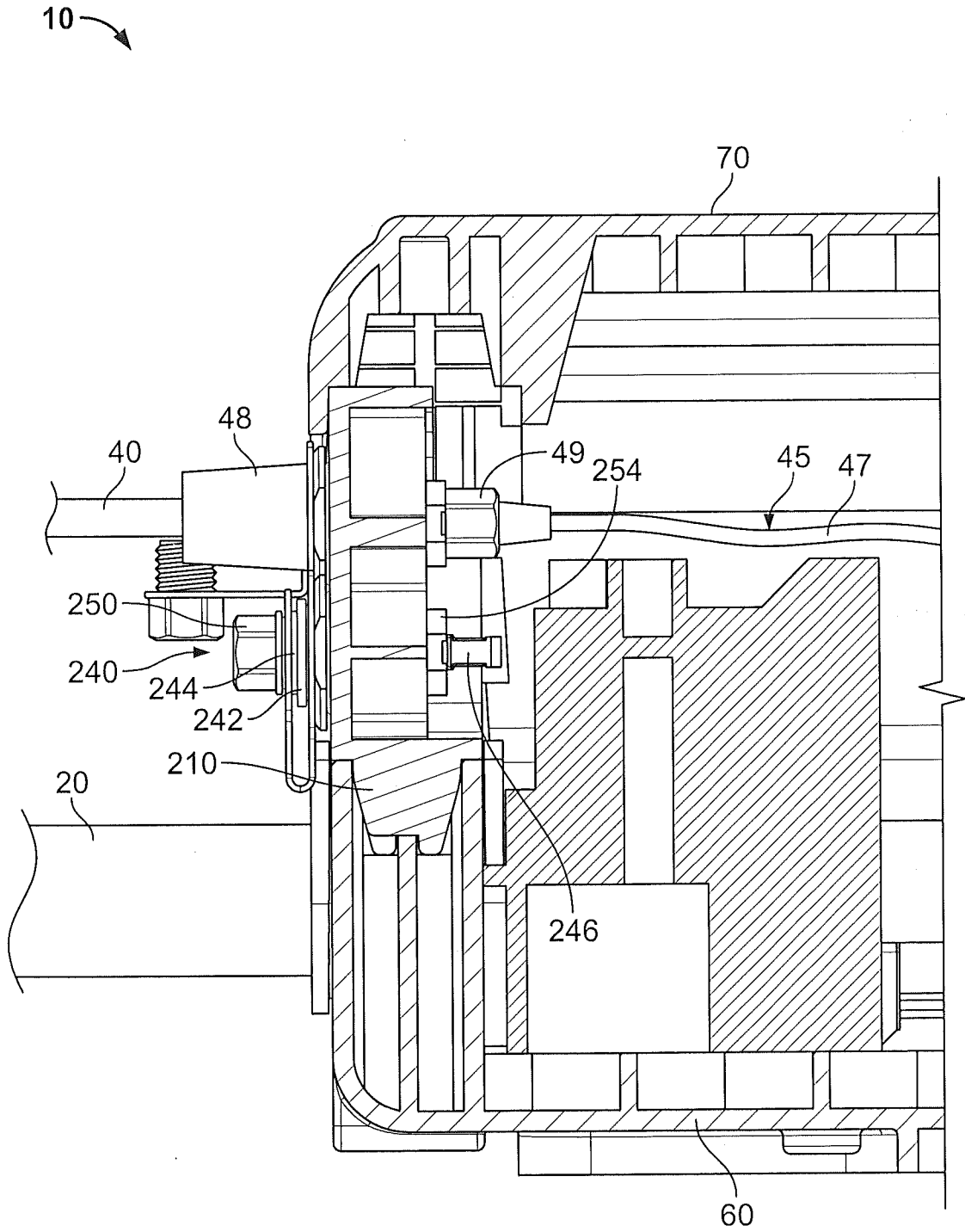


FIG. 7

INTERNATIONAL SEARCH REPORT

International application No PCT/US2012/026513
--

A. CLASSIFICATION OF SUBJECT MATTER
INV. G02B6/44
ADD.

According to International Patent Classification (IPC) or to both national classification and IPC

B. FIELDS SEARCHED

Minimum documentation searched (classification system followed by classification symbols)
G02B

Documentation searched other than minimum documentation to the extent that such documents are included in the fields searched

Electronic data base consulted during the international search (name of data base and, where practicable, search terms used)

EPO-Internal

C. DOCUMENTS CONSIDERED TO BE RELEVANT

Category*	Citation of document, with indication, where appropriate, of the relevant passages	Relevant to claim No.
X Y	US 2009/152004 A1 (BONVALLAT PIERRE [FR] ET AL) 18 June 2009 (2009-06-18) paragraphs [0020], [0021], [0024], [0026], [0027], [0031]; figures 1-3 -----	1-3, 15-18 5-7, 11-14, 19,21
X	US 2002/064363 A1 (GRUBISH CHRISTOPHER S [US] ET AL) 30 May 2002 (2002-05-30) paragraphs [0111], [0125]; figures 6,12A,12B,15 -----	1,15
X Y	US 6 533 472 B1 (DINH CONG THANH [US] ET AL) 18 March 2003 (2003-03-18) column 3, lines 15-19; figure 2 column 6, lines 15-29 column 7, lines 23-35 ----- -/--	1,15 4,8-10, 20

Further documents are listed in the continuation of Box C.

See patent family annex.

* Special categories of cited documents :

- "A" document defining the general state of the art which is not considered to be of particular relevance
- "E" earlier application or patent but published on or after the international filing date
- "L" document which may throw doubts on priority claim(s) or which is cited to establish the publication date of another citation or other special reason (as specified)
- "O" document referring to an oral disclosure, use, exhibition or other means
- "P" document published prior to the international filing date but later than the priority date claimed

"T" later document published after the international filing date or priority date and not in conflict with the application but cited to understand the principle or theory underlying the invention

"X" document of particular relevance; the claimed invention cannot be considered novel or cannot be considered to involve an inventive step when the document is taken alone

"Y" document of particular relevance; the claimed invention cannot be considered to involve an inventive step when the document is combined with one or more other such documents, such combination being obvious to a person skilled in the art

"&" document member of the same patent family

Date of the actual completion of the international search

7 June 2012

Date of mailing of the international search report

18/06/2012

Name and mailing address of the ISA/

European Patent Office, P.B. 5818 Patentlaan 2
 NL - 2280 HV Rijswijk
 Tel. (+31-70) 340-2040,
 Fax: (+31-70) 340-3016

Authorized officer

Verdrager, Véronique

INTERNATIONAL SEARCH REPORT

International application No PCT/US2012/026513

C(Continuation). DOCUMENTS CONSIDERED TO BE RELEVANT

Category*	Citation of document, with indication, where appropriate, of the relevant passages	Relevant to claim No.
Y	US 2006/083475 A1 (GRUBISH CHRISTOPHER [US] ET AL) 20 April 2006 (2006-04-20) paragraphs [0037], [0038], [0045] - [0047]; figures 1-3,7,10,12-15 -----	5-7, 11-14, 19,21
Y	US 5 886 300 A (STRICKLER SCOTT ALLAN [US]) 23 March 1999 (1999-03-23) column 2, lines 21-53; figures 1-3,5 -----	4,8
Y	FR 2 660 118 A1 (FRANCELCO SA [FR]) 27 September 1991 (1991-09-27) claim 9; figure 7 -----	4,8-10, 20

INTERNATIONAL SEARCH REPORT

Information on patent family members

International application No PCT/US2012/026513

Patent document cited in search report	Publication date	Patent family member(s)	Publication date
US 2009152004 A1	18-06-2009	CN 101093934 A US 2009152004 A1 WO 2007149104 A1	26-12-2007 18-06-2009 27-12-2007

US 2002064363 A1	30-05-2002	AU 1324902 A PA 8530801 A1 US 2002064363 A1 US 2004245008 A1 WO 0233796 A2	29-04-2002 31-10-2002 30-05-2002 09-12-2004 25-04-2002

US 6533472 B1	18-03-2003	NONE	

US 2006083475 A1	20-04-2006	NONE	

US 5886300 A	23-03-1999	NONE	

FR 2660118 A1	27-09-1991	NONE	
