

(19) AUSTRALIAN PATENT OFFICE

(54) Title
Molding for suspended panel ceiling

(51)⁶ International Patent Classification(s)
E04B 9/24 (2006.01) 20060101AFI2006082
E04B 9/24 4BHAU

(21) Application No: 2006203611 (22) Application Date: 2006.08.21

(30) Priority Data

(31) Number (32) Date (33) Country
11/226506 2005.09.13 US

(43) Publication Date : 2007.03.29
(43) Publication Journal Date : 2007.03.29

(71) Applicant(s)
Worthington Armstrong Venture

(72) Inventor(s)
Jones, Rick J.; Platt, William J.

(74) Agent/Attorney
Spruson & Ferguson, Level 35 St Martins Tower 31 Market Street, Sydney, NSW, 2000

2006203611 21 Aug 2006

MOLDING FOR SUSPENDED PANEL CEILING

ABSTRACT

A wall molding (30) for a panel suspended ceiling (20) having a vertical leg (42) that is attached to a wall (21, 22), and a horizontal ledge (43) that supports a beam (50) extending outwardly from the wall (21, 22), with the ledge (43) having a pair of tabs (61, 62) and a ratchet tooth (70) lanced from the ledge (43) at regular intervals along the ledge (43) that position and secure the beam end to the ledge (43). A cap (80) extends over the bottom side of the ledge (43) to hide the lanced tabs (61, 62) when viewed from below.

2006203611 21 Aug 2006

S&F Ref: 775825

AUSTRALIA

PATENTS ACT 1990

COMPLETE SPECIFICATION

FOR A STANDARD PATENT

Name and Address of Applicant :	Worthington Armstrong Venture, of 9 Old Lincoln Highway, Suite 200, Malvern, Pennsylvania, 19355, United States of America
Actual Inventor(s):	Rick J. Jones William J. Platt
Address for Service:	Spruson & Ferguson St Martins Tower Level 35 31 Market Street Sydney NSW 2000 (CCN 3710000177)
Invention Title:	Molding for suspended panel ceiling

The following statement is a full description of this invention, including the best method of performing it known to me/us:-

5845c

MOLDING FOR SUSPENDED PANEL CEILING

BACKGROUND OF THE INVENTION

(1) Field of the Invention

The invention relates to suspended panel ceilings, and
5 more particularly to a wall molding that supports the ends
of the beams that abut the walls surrounding such ceilings.

(2) The Prior Art

The prior art includes suspended panel ceilings of a
general construction and such suspended ceilings that also
10 conform to seismic requirements.

a. Suspended panel ceilings of a general construction

Panel suspended ceilings use spaced beams to
support panels on flanges of the beams. The beams are
rollformed from a strip of steel into an inverted T cross
15 section with a bulb at the top, a web, and flanges
extending horizontally from the bottom of the web.
Generally, a bottom cover or cap extends over the bottom of
the flanges, and then upward and inwardly along the edges
of the flanges to form hems that secure the cap to the
20 flanges. Main and cross beams are generally interconnected
to form a grid having rectangular 2' x 2' or 2' x 4'
openings for the panels. The beams are usually suspended
with hanger wires embedded in a structural ceiling. The
ends of the beams that abut the walls around the ceiling

rest on ledges of angled wall moldings. The ledges of the wall moldings also support the panels along the walls.

At times, in short spans of ceiling of up to, for instance, 7 feet, as in the direction across a corridor, the beams that extend across the corridor may be supported only at their ends, on the ledges of the wall molding, without hanger wires. There may be 2 ft. long interconnected cross beams in a direction lengthwise of such corridor.

In prior art panel suspended ceilings that do not conform to any seismic code, there has generally been no fixed connection between the end of a beam and the ledge of the wall molding, since the beam merely rests on the ledge.

b. Such suspended panel ceilings that also conform to seismic requirements

In suspended panel ceilings in the prior art that conform to seismic requirements, means are used to prevent the ends of the beams resting on the wall moldings from shaking off the molding during an earthquake, so that the panels in the ceilings do not fall.

Such means include stabilizer bars that run along the wall molding to keep the ends of the beams from shaking in a direction parallel to the wall, and perimeter clips on the beams which keep the ends of the beams from shaking off

the molding in a direction away from the wall. Two-inch wide ledges on the wall moldings may also be used in accordance with seismic requirements, instead of perimeter clips, to prevent the ends of the beams resting on the wall 5 molding from falling off the ledge, away from the wall, during a quake.

SUMMARY OF THE PRESENT INVENTION

a. Suspended panel ceilings of a general construction

The wall molding of the present invention, in a 10 panel suspended ceiling, provides a quick and accurate way of positioning, and fixing, the end of a beam abutting a wall, on the ledge of a wall molding.

As in the '436 application, which relates to drywall 15 ceilings, referred to above, and incorporated herein by reference, the wall molding of the present invention is formed with a pair of retaining tabs, regularly spaced along the molding, lanced from the horizontal ledge of the molding, while the molding is being made. The pair of tabs work jointly, along with a single ratchet tooth in a tab in 20 one embodiment, or a ratchet tooth in each tab in another embodiment, to position and lock the beam flanges to the ledge, by a single back and forth motion. The flanges are held downwardly against the ledge by the tabs, which are spring biased downwardly.

The wall molding of the present invention has a cover, or cap, under the bottom of the wall molding ledge, to hide the lanced portions that form the tabs in the ledge. The cap is secured on the ledge by a hem that engages a detent
5 on one side of the ledge, and by a hem that extends over the other side of the ledge.

The angle of the wall molding of the invention can be made of heavier or stiffer metal than that of the cap that is fixed on the bottom of the horizontal ledge of the wall
10 molding. Such heavier or stiffer metal in the angle can serve to keep the ledge stabilized in a flat plane, free of the distortion that often occurs when the vertical leg of the molding is secured to a wall with a wavering surface. The angle can be made without any color coating, and of a
15 rougher and less expensive grade metal than the cap, since it is not seen by an observer from below. The cap, which is the only visible part of the molding to an observer from below, is formed of metal with a smooth finish and a color coat. Such a molding then blends with the underside of the
20 flanges of the beams in the ceiling. Such beams also have color coated caps. Such a two piece construction yields a strong and attractive molding at a minimum cost.

In a first embodiment of the invention, a first flange that extends horizontally on one side of a beam, is

manually slid rearwardly under a hold-down tab until a second, oppositely extending, flange on the other side of the beam clears a forwardly positioned locking tab on the ledge. The motion of the beam is then reversed to move the
5 second flange on the beam under the locking tab. The second flange, with its upwardly extending hem, passes over a ratchet tooth in the locking tab, whereby the locking tab secures the second flange to the molding ledge, and the ratchet tooth on the locking tab prevents rearward
10 movement, with both the first flange and second flange held downward in contact with the ledge by the downward spring bias of the tabs.

In another embodiment, each tab is associated with a ratchet tooth.

15 By the above-described action, the beam is locked to the wall molding at a predetermined position along the molding, in a quick and relatively easy manner.

The opposite end of the beam is likewise positioned and locked to a wall molding on the opposing wall. The
20 moldings on opposite walls are placed in exact opposite registry, so that the beams are positioned and secured in the moldings, parallel to one another, at selected, regularly spaced, intervals.

When the wall moldings are made by rollforming, or otherwise continuously formed, the hold-down and locking tabs, and ratchet teeth, are continuously lanced from the molding ledge with suitably designed, well-known, punching
5 machinery.

b. Such suspended panel ceilings that also conform to seismic requirements

The present invention is particularly suited for seismic ceilings that support ends of both main beams and
10 cross beams on wall moldings, as in a grid, regardless of whether the beams are primarily supported by hang wires in addition to the wall molding support, or whether supported by the wall molding alone.

The wall moldings of the invention, for seismic
15 ceilings, use a 2" wide ledge, as in the prior art.

The 2" ledge continues, in an earthquake, to support the ends of the beams as they shake toward and away from the perimeter wall. No perimeter clips are necessary. With the present invention, the tabs restrain the ends of
20 the beam from moving along the perimeter wall, during a quake, whereby the beams then continue to maintain their positions to support panels, and prevent the panels from falling. This eliminates any need for the use of the stabilizer bars of the prior art.

BRIEF DESCRIPTION OF THE DRAWINGS

Figure 1 is a fragmented perspective view, from above, of a suspended ceiling extending between opposing walls, showing a first embodiment of the invention.

5 Figure 2 is a fragmented perspective view, taken from above, of the first flange of a beam being inserted under the rear hold-down tab of the connection, to form the embodiment of the invention shown in Figure 1.

10 Figure 3 is a cross-sectional view taken of the line 3-3 of Figure 2.

Figure 4 is a fragmented perspective view, similar to Figure 2, from above, showing the beam resting on the molding ledge, positioned fully rearward under the rear hold-down tab.

15 Figure 5 is a cross-sectional view, similar to Figure 3, taken on the line 5-5 of Figure 4.

Figure 6 is a fragmentary perspective view, similar to Figures 2 and 4, showing the beam moved fully forward on the ledge 43, beneath the hold-down 61 and locking 62 tabs, 20 with the hem of the forward flange engaged with the ratchet tooth on the forward locking tab 62, locking the beam in a forward position beneath the hold-down 61 and locking 62 tabs.

Figure 7 is a view similar to Figures 3 and 5, taken on the line 7-7 of Figure 6.

Figure 8 is similar to Figure 3 showing an embodiment wherein hold-down tab 61 has associated therewith a ratchet tooth 70', and locking tab 62' is as long as hold-down tab 61.

Figure 9 is similar to Figure 5 showing the beam 50 of Figure 8 in a rearward position on the ledge 43.

Figure 10 is a view similar to Figure 7 and 10 showing the beam 50 of Figure 8 shifted forward to a locked position.

Figure 11 is a fragmented perspective view, from above, of a rollforming operation that forms an indent in the vertical leg of the angle wall molding, and rolls on a cap.

Figure 12 is a cross section of a fragment of a wall molding showing a hem on the ledge, formed from the ledge.

DESCRIPTION OF THE PREFERRED EMBODIMENT

a. Suspended panel ceilings of a general construction

As seen in Figure 1, a panel suspended ceiling 20 extends between opposing vertical room walls 21 and 22. The ceiling 20 includes beams 50 supporting thereon panels 25. The panels 25 rest on the flanges 53,55 of beams 50.

A wall molding 30 extends horizontally along walls 21 and 22 and is affixed thereto by self-tapping screws 27.

Beam 50, as well-known in the prior art, has a bulb 51, web 52, and flanges 53 and 55 extending horizontally at the bottom of web 52. The beam 50 has a cap 54 that extends over flanges 53 and 55, and is secured to the flanges by upwardly and inwardly extending hems 58 and 59. Stitches 56 secure layers of web 52 together.

Molding 30 has a vertical leg 42 and a horizontal ledge 43.

Main beams and cross beams are generally interconnected to form a ceiling grid that supports the panel.

Such ceilings are well-known in the prior art.

In the present invention, a wall molding 30, as seen in Figures 1 through 7, has spaced along the ledge 43 a pair of opposing tabs 61 and 62. Tab 61 forms a hold-down tab that is lanced from the ledge 43. Tongue 63 is biased downwardly toward the ledge 43. The hold-down tab 61 is integral with the ledge 43 at its pivot line 65 and then has a straight section 68 and an upturned section 69.

Positioned opposite to hold-down tab 61 is locking tab 62. Tab 62 is similar to tab 61 except tongue 63 is shorter as shown. Extending downwardly from tongue 63 of

the locking tab 62 is a ratchet tooth 70 which has a slope extending away from the hold-down tab 61, toward the pivot line 71 of locking tab 62.

A cap 80 extends over the bottom of wall molding 30 so
5 that the lanced portions of ledge 43 cannot be seen from below. The cap is desirably formed of a smooth finish metal that is color coated to match the caps of the bottom of the flanges of the beams in the ceiling. Such a cap 80 not only hides the lanced holes in ledge 43 but also gives
10 a decorative appearance to the molding without the expense of making the angle itself of the molding, of such smooth finish, with a color coating.

The cap 80 may be applied in a rollforming operation as seen in Figure 11. An indent 81 is first formed in the
15 bottom of the vertical leg 42 where it joins ledge 43. The indent 81 can be seen, for instance, in Figure 2. The indent 81 is formed by rolls 82 as the molding 30 travels in the direction 85, after having tabs 61 and 62 formed in the ledge 43 by suitable punching means.

20 The cap 80 on the bottom of the wall molding ledge 43 is desirably made of thinner metal than that of the angled vertical leg 42 and horizontal ledge 43 of the wall molding 30, since the function of such cap 80 is primarily decorative to hide the lanced holes in ledge 43, and to

provide a surface appearance, including color, on the bottom of the molding that matches the surface and color of the cap on the bottom of the beams as constructed in the prior art.

5 The molding 43 with the indent 81 formed therein passes between rollers 86 and 87. A web 88 of cap metal is fed into the rollers 86,87, which form hem 89 on one side of the ledge 43, and hem 91, which is formed about the indent 81.

10 Optionally, there may be formed, as by rollforming, along the outside edge of ledge 43, a hem 93 that is integral with, and extends upwardly and inwardly from the ledge 43 when the molding 30 is in position on a wall. Such a hem further stiffens the ledge. When such a hem 93
15 is formed from, and on, the edge of ledge 43, hem 91 of the cap is rollformed over such ledge hem 93. Such a hem 93 on ledge 43 is shown in Figure 12.

The completed molding 30 then advances to a cut-off station to be cut into suitable lengths.

20 A typical wall molding 30 may have a vertical leg 42 and a ledge 43, each 7/8" wide. Each of the tabs 61,62 may be 1/2" wide in a direction across the molding 30, with a space of about 4/5" between a pair of opposing tabs 61 and

62. The distance between the pivot lines 65 and 71 of the tabs 61,62 may be about 2".

A channel wall molding may be used that is U-shaped in cross section, wherein the base of the U is attached vertically to the wall and acts as the vertical leg and the lower horizontal leg of the U acts as a ledge 43.

The beam 50 is engaged with the pair of tabs 61 and 62 and ratchet tooth 70 as seen in Figures 2 through 7.

In Figures 2 and 3, the first flange 53 of beam 50 is engaged under hold-down tab 61 as shown. In this position, the beam 50 with flanges 53 and 55 is angled so that first flange 53 can engage under the locking tab 62 as shown. Second flange 55 bears on top of locking tab 62.

Both hold-down tab 61 and locking tab 62 have a downward bias in the form of a spring action that results when the tabs 61,62 are lanced out of the steel web stock from which the angle moldings 30 are formed. The forming of angle molding by rollforming, and the steel used in the web from which the molding is formed, is well-known in the prior art.

As seen in Figures 4 and 5, first flange 53 has been slid completely under hold-down tab 61, and second flange 55 has cleared locking tab 62. Flanges 53 and 55 rest on

ledge 43 and are held thereto by spring biasing action of hold down tab 61.

As seen in Figures 4 and 5, the hold-down tab 61 must have a length deep enough to permit the first flange 53 to slide rearwardly enough to permit the second flange 55 to clear locking tab 62.

As seen in Figures 6 and 7, beam 50, with flanges 53 and 55, is slid forward under locking tab 62 until hem 58 on the top side of flange 55 passes under ratchet tooth 70. Second flange 55 is then forced downward against ledge 43 by locking tab 62, whereby the flange 55 is locked in place from forward or rearward movement on ledge 43. Hold-down tab 61, as seen in Figures 6 and 7, holds down the first flange 53 against the ledge 43.

In an alternative embodiment of the invention, as seen in Figures 8 through 10, tab 62' is extended in length to that of tab 61, and an additional ratchet tooth 70' that slopes downwardly away from tab 62, is formed from tab 61. In this embodiment, the beam can be positioned in the tabs by a first movement in either direction, that is, initially toward tab 61, or toward tab 62'.

As shown in Figures 8 and 9, the first flange 53 can be first inserted under tab 61 until the hem 58 passes under ratchet tooth 70'. The beam 50 is then shifted in an

opposite direction underneath tab 62' until the hem 59 on the second flange 55 engages the ratchet tooth 70, as seen in Figure 10. In this embodiment, the beam 50 is kept from shifting forward and rearward by the combined action of the ratchet teeth 70 and 71', and the tabs 61 and 62'. The flanges 53 and 55 are again downwardly secured against the ledge 43 by the downward spring bias of the tabs 61 and 62'.

In the embodiments set forth above, the above described positioning and locking actions at opposite ends of beam 50 may occur simultaneously, if for instance, an installer is positioned at each end of the beam 50 to perform the position and securing action as described.

After a series of beams 50 are positioned and secured, as described, panels 25 of, for instance, acoustic material, are positioned on the flanges of the beams 50, to form the ceiling.

A panel 25 is supported in position in the ceiling along a wall by the wall molding ledge 43 and the flanges 53 and 55 of beams 50.

A pair of tabs 61 and 62, in the various embodiments described above, are regularly spaced along the molding ledge 43, at, for instance, 2' intervals, so that the ends of beams 50 that abut a wall can be secured at selected

distance to receive panels 25. Beams 50 are locked in to wall moldings 30 that are in registry opposing walls, so that the beams 50 run across the ceiling parallel to one another.

5 b. Such suspended panel ceilings that also conform to seismic requirements

In a ceiling that meets seismic requirements, ledge 43 is extended to a 2" width. The end of beam 50 is cut so that at rest position on the ledge, as seen for instance in 10 Figure 1, the end of the beam is $\frac{3}{4}$ " away from vertical leg 42 of molding 30. This is in conformance generally with code requirements for a seismic ceiling. In the event of a quake, the end of the beam 50 can travel $\frac{3}{4}$ " away from its rest position toward or away from the wall 21 or 22, and 15 still be supported on the 2" ledge.

The tabs 61 and 62 again extend along the beam 50 as described above, and keep the beam end from moving along the wall 21,22 during a quake.

20

CLAIMS

WHAT IS CLAIMED IS:

1. In a grid that supports panels in a suspended ceiling,
the grid having

5 (a) a wall molding extending rearward and
forward along opposing parallel walls, with
a vertical leg of the molding secured to the
wall, and a ledge of the molding extending
horizontally away from the wall, and

10 (b) inverted T beams, each of the beams having,
a bulb
a web extending downwardly from the
bulb,
a first and second flange extending
15 outwardly in opposite directions from
the web at the bottom thereof,
a cap on the bottom of the first and
second flange,
and a hem from the cap extending
20 upwardly and inwardly along each
outside edge of the first and second
flange,

with the beams supported on the ledges of the moldings on
the opposing walls at opposite ends of the beams;

the improvement comprising

5 (a) a pair of downwardly biased tabs extending above the ledge, integral with, and lanced from, the ledge of the molding, for spacing and securing the ends of the beams to the molding, wherein the tabs have open ends extending toward one another, in combination with

(b) a ratchet tooth in a tab.

10 2. The improvement of claim 1 wherein a cap extends over the bottom of the wall molding ledge and is hemmed to the ledge.

3. The improvement of claim 2 wherein the molding and cap are made of metal, with the cap made of metal that is 15 thinner than the metal of the molding, and is color coated.

4. The improvement of claim 1 wherein the edge of the molding ledge outwardly from the wall has a rollformed hem that stiffens the ledge.

5. The improvement of claim 2, 3, or 4 wherein the cap is 20 rollformed over the bottom of the ledge.

6. The improvement of claim 2, 3, 4, or 5 wherein the cap is held on the ledge of the wall molding by a hem that is engaged in an indent in a vertical leg of the wall molding.

7. The improvement of claim 6 wherein the hem is engaged into the detent by rollforming.
8. The grid of claim 1 wherein the tabs comprise a rearward and a forward tab, and the beam is secured in the pair of tabs by sliding the first flange rearwardly beneath
5 the rearward tab of the pair, and then sliding forward the second flange into the forward tab of the pair.
9. The grid of claim 8 wherein the ratchet tooth is formed in the forward tab.
- 10 10. The grid of claim 1 wherein a ratchet tooth is formed in each tab.
11. The grid of claim 8 wherein the ratchet tooth slopes downwardly.
12. The grid of claim 8 wherein the rearward tab is a
15 hold-down tab, and the forward tab is a locking tab.
13. The grid of claim 9 wherein the locking tab and ratchet tooth lock the second flange of the beam onto the ledge so that the beam cannot move rearward or forward along the molding.
- 20 14. The grid of claim 1 wherein the ratchet tooth engages a hem that extends along the edge of a flange of a beam.
15. The grid of claim 14 wherein the ratchet tooth engages a hem that extends along the top edge of a flange of a beam.

16. The grid of claim 1 wherein the pair of tabs that are formed at spaced intervals along the ledges of the moldings on opposite walls are in registry with one another, so that the beams in the grid that extend from molding to opposite
5 molding are parallel to one another.

17. The grid of claim 1 wherein the molding is rollformed and the tabs and the ratchet tooth are continuously formed during the rollforming.

18. A wall molding for a grid in a panel suspended
10 ceiling, the molding having:

a right angle in its cross section with one side of the angle capable of being affixed to a wall, and the other side of the angle capable of serving as a ledge for supporting an inverted T beam having flanges that rests on
15 the ledge, the beam having flanges with an upwardly extending hem extending along the edges of the flange,

repetitive pairs of tabs extending at regular intervals along the edge for securing to the ledge an inverted T-beam with flanges, wherein the tabs are lanced
20 from the ledge and extend toward one another in open position, and

a ratchet tooth lanced from a tab, wherein, when the ledge supports a beam, the flanges of the beam are locked to the molding ledge by the tabs and the ratchet tooth.

19. The molding of claim 18 wherein a cap extends over the bottom of the wall molding ledge.
20. The molding of claim 19 wherein the molding and cap are made of metal, with the cap made of metal that is
5 thinner than the metal of the molding.
21. The molding of claim 20 wherein the cap is made of metal that is color coated.
22. The molding of claim 19, 20, or 21 wherein the cap is rollformed over the bottom of the ledge.
- 10 23. The molding of claim 19, 20, 21, or 22 wherein the cap is held on the ledge of the wall molding by a hem that is engaged in an indent in a vertical leg of the wall molding.
24. The molding of claim 23 wherein the hem is engaged into the detent by rollforming.
- 15 25. The molding of claim 18 wherein the beam is secured in the pair of tabs by sliding the first flange rearwardly beneath a rearward tab of the pair, and then sliding forward the second flange into a forward tab of the pair.
26. The molding of claim 25 wherein the rearward tab is a
20 hold-down tab, and the forward tab is a locking tab.
27. The molding of claim 25 wherein the locking tab and ratchet tooth lock a flange of the beam onto the ledge so that the beam cannot move rearward or forward along the molding.

28. The molding of claim 25 wherein the ratchet tooth engages a hem that extends along the top of the edge of a flange.

29. The molding of claim 25 wherein the pair of tabs are
5 formed at spaced intervals along the ledges of the moldings on opposite walls, and are in registry with one another, so that the beams in the grid that extend from molding to molding are parallel to one another.

30. The molding of claim 25 wherein the molding is
10 rollformed, and the tabs and the ratchet tooth are continuously formed in the molding during the rollforming.

31. The wall molding of claim 25, wherein there is a ratchet tooth in each tab.

32. The molding of claim 18 wherein the ledge of the
15 angle has a hem formed along the edge away from the wall.

33. The molding of claim 32 wherein the hem is formed upwardly and inwardly by rollforming.

34. The molding of claim 1 or 18 formed from a channel that is U-shaped in cross section.

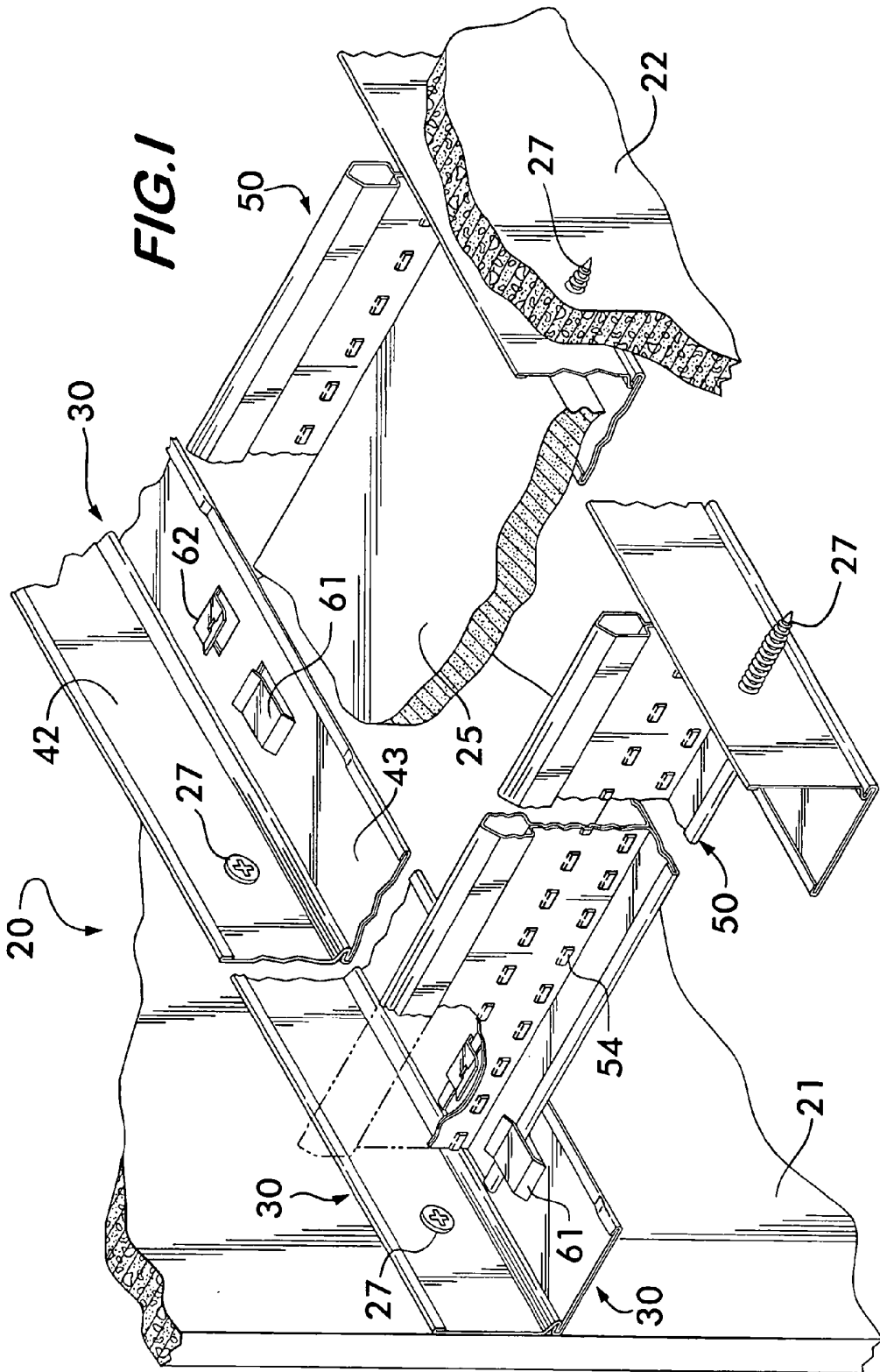
20 35. A grid that supports panels in a suspended ceiling, said grid substantially as hereinbefore described with reference to any one embodiment, as that embodiment is shown in the accompanying drawings.

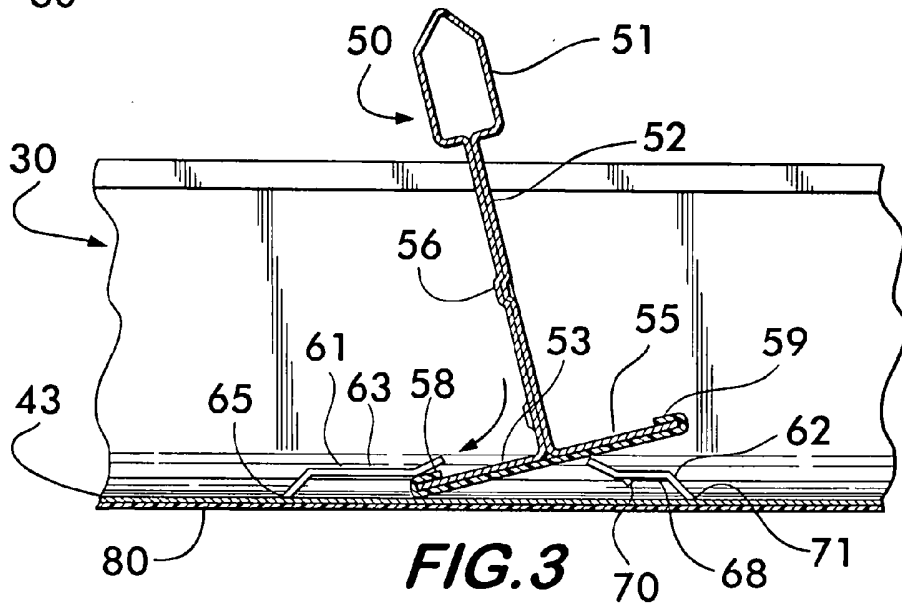
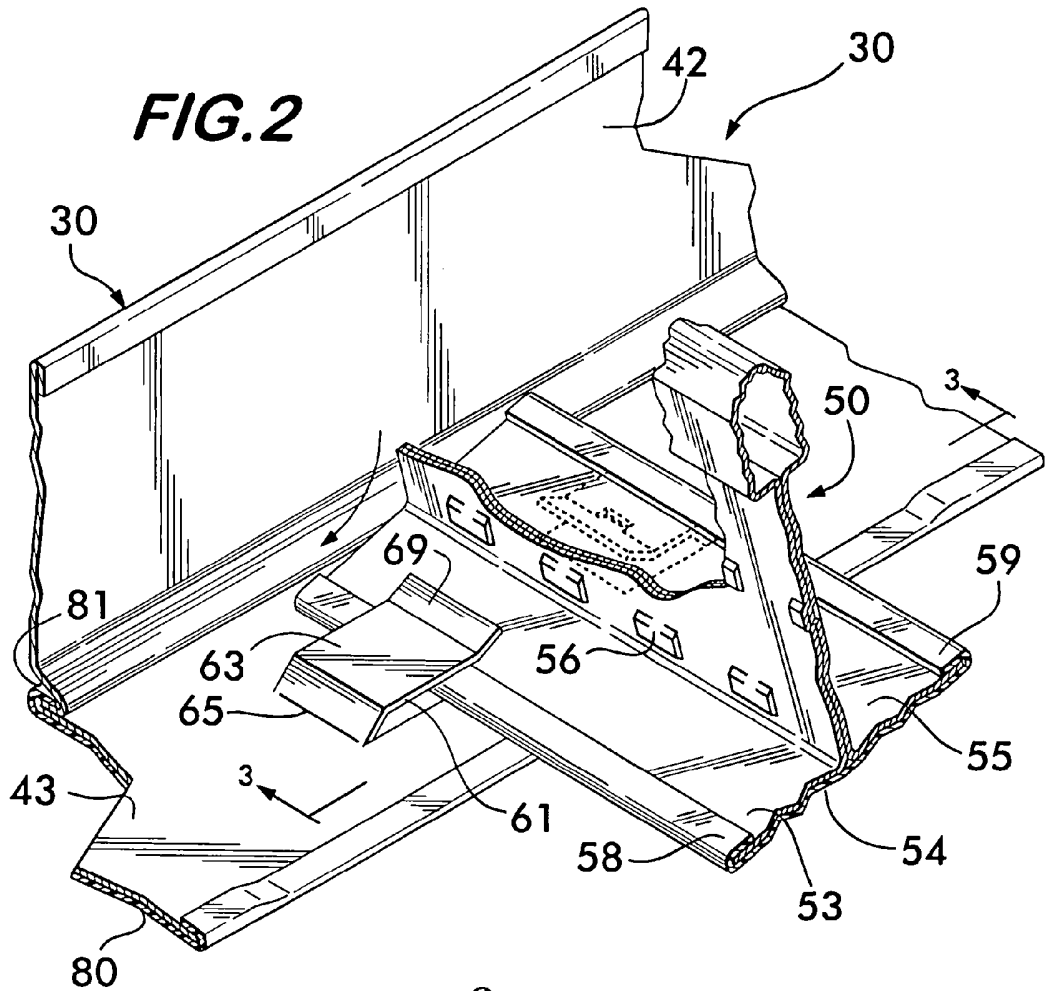
2006203611 21 Aug 2006

36. A wall molding for a grid in a panel suspended ceiling, said molding substantially as hereinbefore described with reference to any one embodiment, as that embodiment is shown in the accompanying drawings.

5

Dated 21 August, 2006
Worthington Armstrong Venture
Patent Attorneys for the Applicant/Nominated Person
SPRUSON & FERGUSON





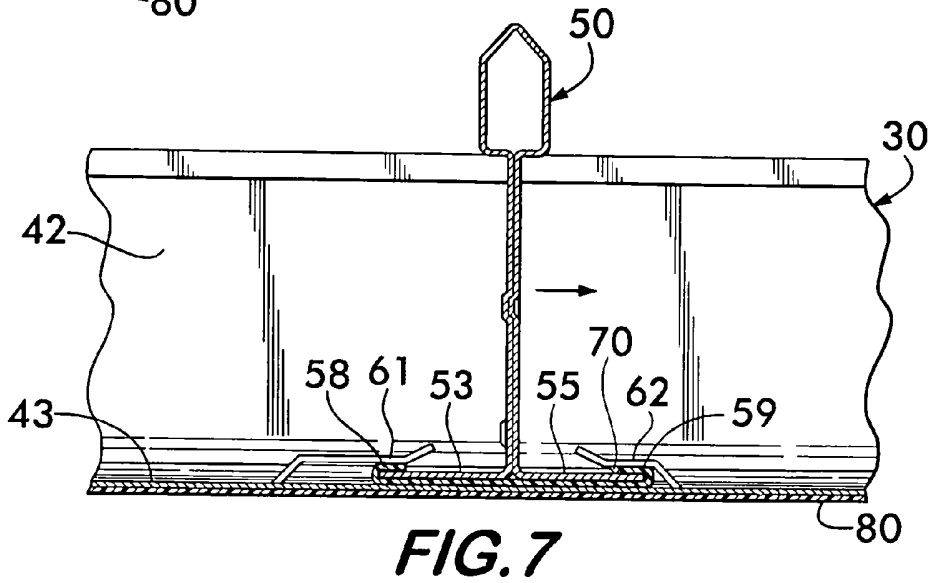
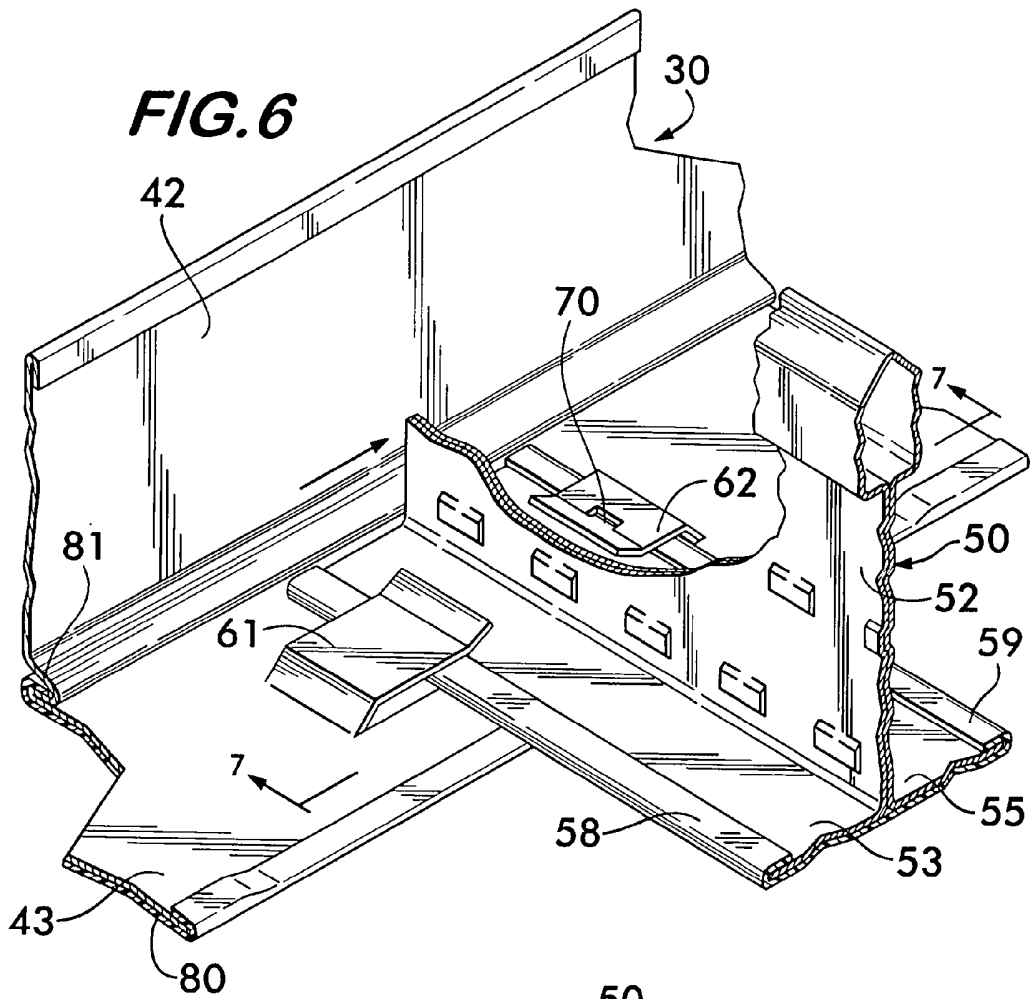


FIG. 8

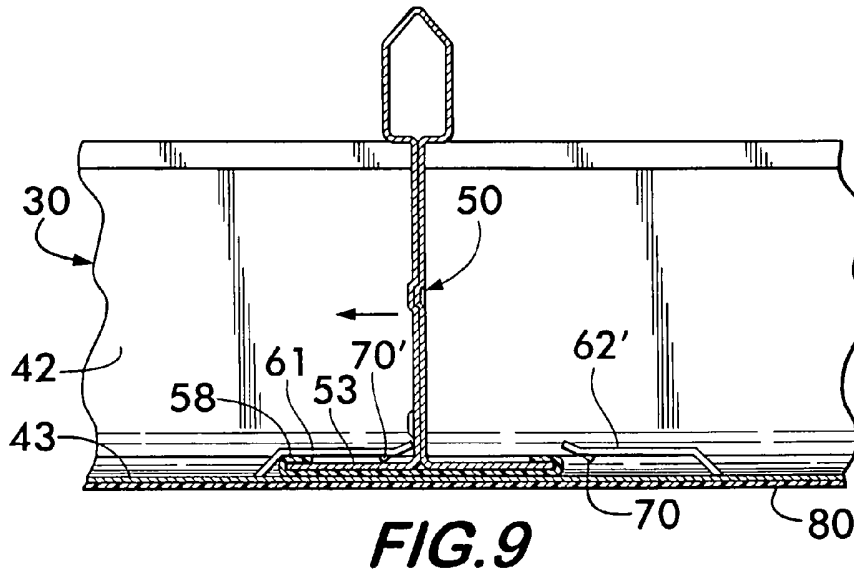
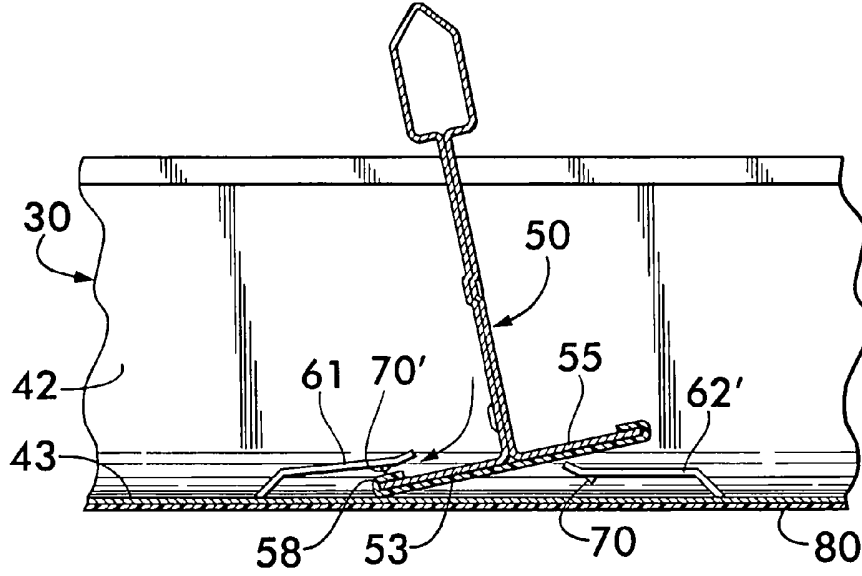


FIG. 9

FIG.10

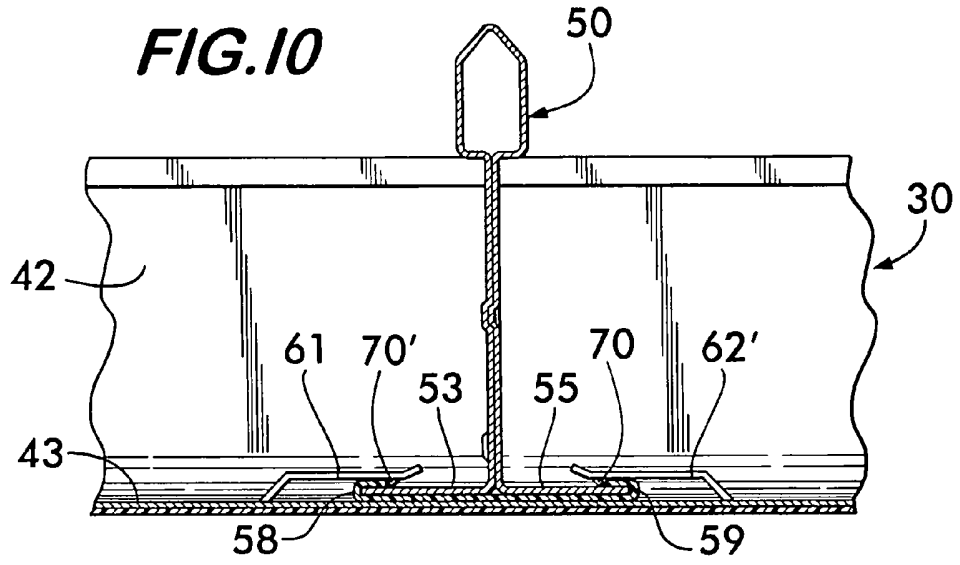


FIG.II

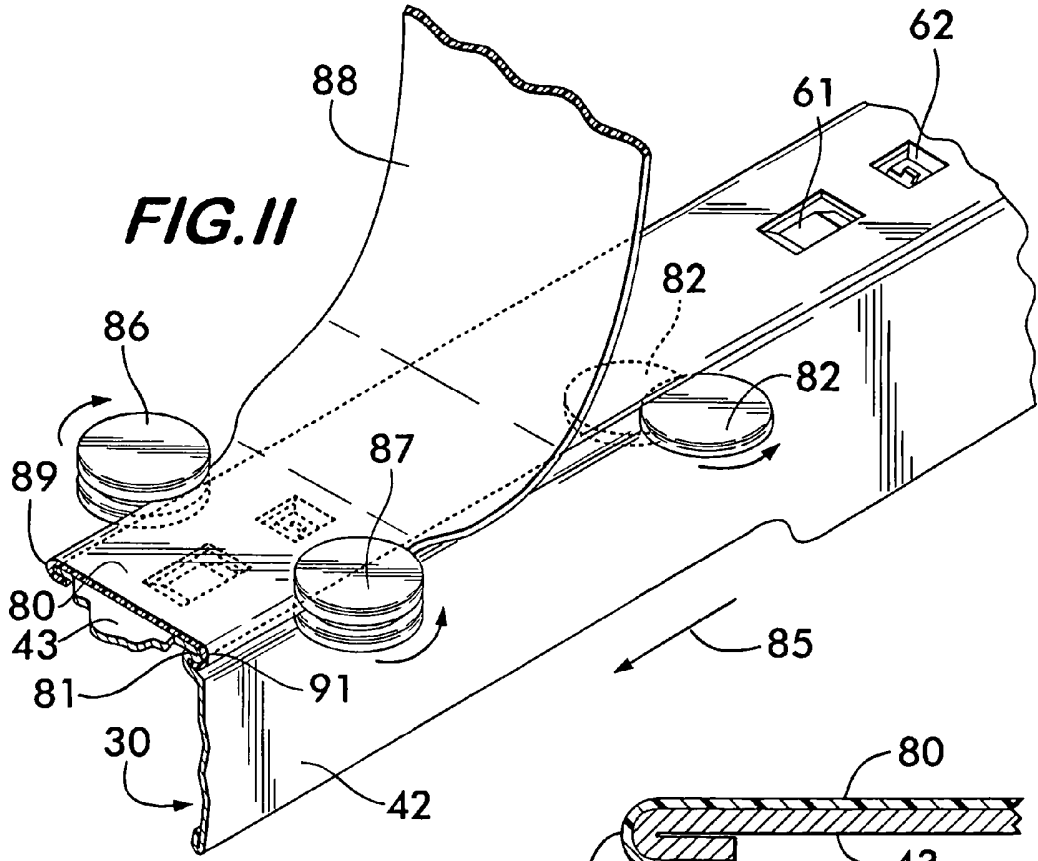


FIG.12

