

(12) INTERNATIONAL APPLICATION PUBLISHED UNDER THE PATENT COOPERATION TREATY (PCT)

(19) World Intellectual Property  
Organization

International Bureau

(43) International Publication Date  
11 April 2019 (11.04.2019)



(10) International Publication Number  
**WO 2019/071218 A2**

(51) International Patent Classification:

G07F 17/32 (2006.01)

(21) International Application Number:

PCT/US2018/054741

(22) International Filing Date:

05 October 2018 (05.10.2018)

(25) Filing Language:

English

(26) Publication Language:

English

(30) Priority Data:

62/569,109 06 October 2017 (06.10.2017) US

(71) Applicant: **INTERBLOCK D.D.** [US/US]; 1106 Palms Airport Dr., Las Vegas, NV 89119 (US).

(72) Inventors: **BERGANT, Urban**; Gorenjska Cesta 23, 1234 Menges, Slovenia (SK). **KROSELJ, Peter**; Gorenjska Cesta 23, 1234 Menjes, Slovenia (SK).

(74) Agent: **CASEY, Timothy, D.**; Baker & Hostetler LLP, Cira Centre, 12th Floor, 2929 Arch Street, Philadelphia, PA 19104-2891 (US).

(81) Designated States (*unless otherwise indicated, for every kind of national protection available*): AE, AG, AL, AM, AO, AT, AU, AZ, BA, BB, BG, BH, BN, BR, BW, BY, BZ, CA, CH, CL, CN, CO, CR, CU, CZ, DE, DJ, DK, DM, DO, DZ, EC, EE, EG, ES, FI, GB, GD, GE, GH, GM, GT, HN, HR, HU, ID, IL, IN, IR, IS, JO, JP, KE, KG, KH, KN, KP, KR, KW, KZ, LA, LC, LK, LR, LS, LU, LY, MA, MD, ME, MG, MK, MN, MW, MX, MY, MZ, NA, NG, NI, NO, NZ, OM, PA, PE, PG, PH, PL, PT, QA, RO, RS, RU, RW, SA, SC, SD, SE, SG, SK, SL, SM, ST, SV, SY, TH, TJ, TM, TN, TR, TT, TZ, UA, UG, US, UZ, VC, VN, ZA, ZM, ZW.

(84) Designated States (*unless otherwise indicated, for every kind of regional protection available*): ARIPO (BW, GH, GM, KE, LR, LS, MW, MZ, NA, RW, SD, SL, ST, SZ, TZ, UG, ZM, ZW), Eurasian (AM, AZ, BY, KG, KZ, RU, TJ, TM), European (AL, AT, BE, BG, CH, CY, CZ, DE, DK, EE, ES, FI, FR, GB, GR, HR, HU, IE, IS, IT, LT, LU, LV, MC, MK, MT, NL, NO, PL, PT, RO, RS, SE, SI, SK, SM, TR), OAPI (BF, BJ, CF, CG, CI, CM, GA, GN, GQ, GW, KM, ML, MR, NE, SN, TD, TG).

**Declarations under Rule 4.17:**

- as to applicant's entitlement to apply for and be granted a patent (Rule 4.17(ii))
- as to the applicant's entitlement to claim the priority of the earlier application (Rule 4.17(iii))

**Published:**

- without international search report and to be republished upon receipt of that report (Rule 48.2(g))

(54) Title: ROULETTE GAME CYCLE OPTIMIZATION AND METHODS FOR ADJUSTING A ROULETTE BALL LAUNCH SPEED

(57) Abstract: A roulette wagering system is described that includes a roulette machine configured to operate live roulette games in which a roulette ball is launched into an angled annular track encircling a roulette wheel. A controller associated with the roulette machine may regulate one or more inertial values associated with the roulette ball. A bet close time of a betting window associated with the live roulette games may be determined based on the one or more inertial values associated. A rotation velocity of the roulette wheel may be adjusted subsequent to a bet close time of a live roulette games. Game cycle events may be detected using audio associated with the live roulette games and audible and/or visual effects may be generated based on the audio. A controller associated with the roulette machine may synchronizes the live roulette games operated by the roulette machine with live roulette games operated by one or more additional roulette machines. Bets may be placed based on a player selected betting risk level.



WO 2019/071218 A2

## ROULETTE GAME CYCLE OPTIMIZATION AND METHODS FOR ADJUSTING A ROULETTE BALL LAUNCH SPEED

### CROSS REFERENCE TO RELATED APPLICATION

**[0001]** This application claims priority to U.S. Provisional Patent Application No. 62/569,109, filed October 6, 2017.

### BACKGROUND INFORMATION

**[0002]** Roulette is a popular wagering game played in casinos and other gaming establishments. In mechanical versions of the game (versus video generated), a roulette ball is launched into an angled annular track encircling a spinning roulette wheel. The roulette ball continues to rotate around the annular track in an opposite direction of the spinning roulette wheel creating friction between the roulette ball and the annular track. The friction created between the roulette ball and the annular track causes the ball to lose momentum. Upon losing sufficient momentum, the roulette ball exits the annular track and follows a spiraling path towards the roulette wheel.

**[0003]** As it follows the spiraling path, the roulette ball may engage with one or more of the ball stops (or canoes) intervening between the annular track and the roulette wheel, causing the ball to jump about. Eventually the roulette ball comes to rest in one of the numerous equally-spaced ball slots located along a circumference of the roulette wheel. Each ball slot among the equally-spaced ball slots is isolated from adjacent ball slots by separators positioned radially outward and corresponds to a particular number and color. The particular number represents a result for the game cycle that began when the roulette ball was launched.

**[0004]** As the roulette ball comes to rest, a marker (or dolly) is placed on an area of a felt betting area (or layout) identifying the particular number and color corresponding to the ball slot in which the roulette ball came to rest. Winning and losing bets for that game cycle to be placed on the felt betting area are then determined according to the result. Once the losing bets are collected and the winning bets are paid, a new game cycle starts.

**[0005]** In addition to causing the roulette ball to lose momentum, the friction between the roulette ball and the annular track may also erode some material from the annular track. That

material eroded from the annular track and/or the ball becomes dust within the roulette wheel and the annular track. Another opportunity for the creation and dispersion of dust arises any time the roulette ball engages with a ball stop. As subsequent balls are launched into the angled track, interaction between the dust and subsequent roulette balls may impact a later game cycle.

**[0006]** For example, randomization of the later game cycle's result may be reduced by interaction with the dust. Also, subsequent roulette balls may rotate slower around the annular track, which increases game cycle times and further reduces randomization. At some point, dust generated by the friction renders the roulette table aesthetically displeasing, which negatively impacts the players' experience. The dust may also slow down game play cycles, thereby making the roulette table less productive. Furthermore, removing the dust creates maintenance downtime during which the roulette table is unavailable for gameplay.

**[0007]** While seemingly straightforward as far as games are concerned, new players to roulette can find all of the different types of possible bets confusing. Bets can be placed on "red/black" (all red or black numbers and excluding 0 and 00), on "even/odd" (all even or odd numbers and excluding 0 and 00), on "low/high" numbers 1-18 or numbers 19-36, on "dozen" or "third" (1-12, 13-24 or 25-36, on "column" (all numbers in one of three columns when the table is viewed from its end), on "straight up" (any single number), on "0" or "00" (some tables only use "0"), on "row" (0 and 00), on "top line" or "basket" (0, 00, 1, 2 and 3), on "six line" (any six numbers from two horizontal rows), on "split" (any two adjoining numbers vertical or horizontal), on "street" (any three numbers horizontal, such as 1, 2, 3 or 4, 5, 6, etc.), and on "corner" (any four adjoining numbers in a block, such as 1, 2, 4, 5 or 17, 18, 20, 21, etc.). It can take significant time for players to place bets in all of these different ways, which forces dealers to push players to finish bets, or if a machine is being used a timer to be employed, which can frustrate players.

#### TECHNICAL FIELD

**[0008]** The present disclosure relates generally, but not exclusively, to the field of gaming, particularly roulette gaming.

#### SUMMARY

**[0009]** An embodiment is directed to a roulette machine configured to operate unattended live roulette games in which a roulette ball is launched into an angled annular track

encircling a roulette wheel. In some embodiments, a controller associated with the roulette machine regulates one or more inertial values associated with the roulette ball. In some embodiments, a bet close time of a betting window associated with the live roulette games is determined based on one or more inertial values associated with the roulette ball. In some embodiments, a rotation velocity of the roulette wheel is adjusted subsequent to a bet close time of a betting window associated with the live roulette games. In some embodiments, game cycle events are detected using audio associated with the live roulette games. In these embodiments, audio audible and/or visual special effects are generated based on the audio. In some embodiments, a controller associated with the roulette machine synchronizes the live roulette games operated by the roulette machine with live roulette games operated by one or more additional roulette machines

**[0010]** An embodiment is directed to two or more betting options based on a desired level of risk or volatility, such as low or high or low, medium or high. Depending on the amount of credits to be bet and the risk level or volatility level chosen, bets will be randomly placed in predetermined amounts on different types of bets that correspond to the risk level. If there are two risk levels, a bet of 50 credits at a low risk level will result in 10 credits being placed on red or black, 10 credits on even or odd, 10 credits on high or low, 10 credits on one third and 10 credits on one column. The same bet at a high risk level will result in 12 credits on a six line, 12 credits on a street, 6 credits on two streets, 5 credits on two splits, and 5 credits on two straight ups, although other betting combinations are possible in other embodiments.

**[0011]** These and other features will be more clearly understood from the following detailed description taken in conjunction with the accompanying drawings and claims. This Summary is provided to introduce a selection of concepts in a simplified form that are further described below in the Detailed Description. This Summary is not intended to identify key features or essential features of the claimed subject matter, nor is it intended to be used to limit the scope of the claimed subject matter.

#### BRIEF DESCRIPTION OF THE DRAWINGS

**[0012]** FIG. 1 is a diagrammatic, elevated view of a roulette wagering system in accordance with an embodiment.

[0013] FIG. 2 illustrates an example graphical user interface (“GUI”) displayed by a play station, in accordance with an embodiment.

[0014] FIG. 3 is a diagrammatic, elevated view of a roulette machine in accordance with an embodiment.

[0015] FIG. 4 is a top down view of the roulette machine depicted by FIG. 3, in accordance with an embodiment.

[0016] FIG. 5 is a view similar to FIG. 3, but with a transparent cover removed, in accordance with an embodiment.

[0017] FIG. 6 is a diagrammatic, lateral view of a ball launcher assembly, in accordance with an embodiment.

[0018] FIG. 7 is a graph comparing daily ball revolution averages to daily average propulsion force, in accordance with an embodiment.

[0019] FIG. 8 illustrates timelines comparing bet close times of game cycles based on relative velocities of roulette balls used in the game cycles, in accordance with an embodiment.

[0020] FIG. 9 is a graph illustrating a roulette wheel velocity adjustment to reduce a likelihood of predicting game cycle results, in accordance with an embodiment.

[0021] FIG. 10 shows a camera position for detecting roulette results, in accordance with an embodiment.

[0022] FIG. 11 shows an alternate camera position for detecting roulette results, in accordance with an embodiment.

[0023] FIG. 12 is an image depicting a visual effect associated with a live roulette game, in accordance with an embodiment.

[0024] FIG. 13 illustrates a means of presenting sound effects associated with a live roulette game, in accordance with an embodiment.

[0025] FIG. 14 is a diagrammatic, elevated view of a twin roulette wagering system, in accordance with an embodiment.

[0026] FIG. 15 illustrates an example split-screen GUI displayed by a play station, in accordance with an embodiment.

[0027] FIG. 16 illustrates an example accordion-screen GUI displayed by a play station, in accordance with an embodiment.

[0028] FIG. 17 illustrates an example of a display of a roulette game incorporating volatility level betting options, in accordance with an embodiment.

[0029] FIG. 18 is an illustration of an exemplary block diagram representing a general purpose computer system in which aspects of the methods and systems disclosed herein or portions thereof may be incorporated.

#### DETAILED DESCRIPTION OF EMBODIMENTS

[0030] The present disclosure describes particular embodiments and their detailed construction and operation. The embodiments described herein are set forth by way of illustration only and not limitation. Those skilled in the art will recognize, in light of the teachings herein, that there may be a range of equivalents to the exemplary embodiments described herein. Most notably, other embodiments are possible, variations can be made to the embodiments described herein, and there may be equivalents to the components, parts, or steps that make up the described embodiments. For the sake of clarity and conciseness, certain aspects of components or steps of certain embodiments are presented without undue detail where such detail would be apparent to those skilled in the art in light of the teachings herein and/or where such detail would obfuscate an understanding of more pertinent aspects of the embodiments.

[0031] Disclosed herein are methods, systems, and computer readable storage media that provide for increased randomization of roulette results and improved guest satisfaction. Some embodiments of the present invention are described herein in terms of an automated roulette wagering system for illustrative purposes. However, embodiments of the present invention are not limited to an automated roulette wagering system, but rather may be implemented in various wagering systems – both automated and manual – that provide similar functionalities as an automated roulette wagering system.

[0032] Figure 1 illustrates an automated roulette wagering system 100 in accordance with an embodiment of the present disclosure. As shown by Figure 1, automated roulette wagering system 100 includes roulette machine 110, central display 120, and a plurality of play stations 130. While six play stations 130 are illustrated in the embodiment depicted by Figure 1, one skilled in the art will recognize that roulette wagering system 100 may include any number of play stations associated with roulette machine 110.

**[0033]** For example, roulette wagering system 100 may include one play station, two play stations, ten play stations, and so on. In an embodiment, roulette wagering system 100 may not include any play stations 130. For example, roulette wagering system 100 may be servicing one or more remote clients not physically proximate to roulette wagering system 100. That is, roulette machine 110 of roulette wagering system 100 may be an unattended live table game of chance providing game cycle results to one or more play stations physically remote from roulette machine 110. In an embodiment, roulette wagering system 100 may be servicing a combination of local play stations (e.g., play stations 130) and remote play stations.

**[0034]** In an embodiment, roulette wagering system 100 is located at a first geographic location and is providing game cycle results to remote clients physically located at one or more remote geographic locations that are not physically proximate to the first geographic location. For example, roulette wagering system 100 may be located in a warehouse and provide game cycle results to remote clients located in a casino located a few miles away from the warehouse. As another example, roulette wagering system 100 may be located in a first casino and provide game cycle results to remote clients located in a second casino or gaming establishment. The first casino and the second casino or gaming establishment may be located in a different city, state, country, etc.

### **Roulette Machine**

**[0035]** Roulette machine 110 is configured to operate unattended live roulette games in which a physical roulette ball is launched into an angled annular track encircling a roulette wheel. In an embodiment, roulette machine 110 may be configured to operate any known live table game of chance. Each live roulette game operated by roulette machine 110 is composed of a game cycle. The game cycle of the live roulette game begins as a roulette ball is positioned to be launched into the annular track. The roulette ball is launched into the annular track and rotates around the annular track a plurality of times. In an embodiment, the roulette ball is rotated around the annular track in a first direction and the roulette wheel is spinning about a central axis in a second direction opposing the first direction. Friction between the roulette ball and the annular track reduces a momentum of the roulette ball until gravity causes the roulette ball to exit the annular track.

**[0036]** Upon exiting the annular track, the roulette ball follows a path towards the center of the roulette wheel along a downward slope intervening between the annular track and

the roulette wheel. As the roulette ball follows the path towards the center of the roulette wheel, the roulette ball may interact with one or more ball stops positioned about the downward slope. When the roulette ball encounters the roulette wheel, the roulette ball bounces a plurality of times and then settles into one of a plurality of ball slots positioned around an outer circumference of the roulette wheel. The game cycle concludes as the roulette ball settles in one of the plurality of ball slots. A game cycle outcome is determined based on a number and possibly also a color corresponding to the particular ball slot in which the roulette ball settled.

**[0037]** Each live roulette game operated by roulette machine 110 is also composed of a betting window associated with the game cycle. The betting window includes a bet open time and a bet close time. The bet open time represents a point in time in which the betting window transitions from a closed state to an open state. After the bet open time, the betting window is in the open state and a player is allowed to place one or more bets or wagers on the associated game cycle. In an embodiment, the player is allowed to place one or more side bets or wagers on at least one additional game of chance when the betting window is in the open state.

**[0038]** The bet close time represents a point in time in which the betting window transitions from an open state to a closed state. After the bet close time, the betting window is in the closed state and the player is no longer allowed to place bets or wagers on the associated game cycle. In an embodiment, the bet close time precedes a time that the roulette ball settles in one of the plurality of ball slots. In an embodiment, the bet close time precedes a time that the roulette ball exits the annular track. In an embodiment, the bet close time is adjustable based on an inertial value associated with the roulette ball.

**[0039]** In operation, roulette machine 110 utilizes one or more random number generators to control various mechanical aspects of the live roulette games. The one or more random number generators are used to increase a randomization of events composing the live roulette games. Increasing the randomization of events composing the live roulette games reduces a likelihood that game cycle results are predictable. For example, random number generators may dictate a velocity that a roulette ball is launched into the angled annular track, a number of times that a roulette ball rotates around the angular track, a direction the roulette ball spins while rotating around the angular track, a timing of various events composing the live roulette games, and the like.

**[0040]** Central display 120 is configured to present players and other guests of the casino or other gaming establishment with information associated with the live roulette games operated by roulette machine 110. Such information may be presented in a visual format, an auditory format, or a combination thereof. The information presented by central display 120 may include information regarding individual results of previous game cycles, a state of a current betting window associated with roulette machine 110, statistics about previous games cycles, an operating condition of roulette machine 110, a progressive jackpot associated with roulette machine 110, and the like. In an embodiment, central display 120 is further configured to present players and other guests of the casino or other gaming establishment with advertising media.

**[0041]** Each play station among the plurality of play stations 130 is generally configured to enable a player to participate in the live roulette games operated by roulette machine 110. In an embodiment, each play station among the plurality of play stations 130 is further configured to enable the player to participate in at least one additional game of chance. In an embodiment, the at least one game of chance is operated by a gaming device other than roulette machine 110. For example, a play station 130 may enable the player to fund a credit balance for placing bets, place bets on games of chance (e.g., the live roulette game operated by roulette machine 110), receive winnings associated with bets placed on games of chance, and the like. In an embodiment, a play station may enable the player to interact with an object associated with a game of chance. Examples of such objects include dice, a ball, a wheel, and the like.

**[0042]** As best seen in Figure 2, play station 130 may present a graphical user interface (“GUI”) 200 that enables a player to participate in the live roulette games operated by roulette machine 110. For example, GUI 200 may display account information 210 to a player that represents a maximum credit balance that is available to the player for wagering on the live roulette games. In an embodiment, a player may insert currency, tickets, tokens, and the like into play station 130 in order to increase the maximum credit balance. In an embodiment, a player may electronically transfer funds from another account using play station 130 in order to increase the maximum credit balance.

**[0043]** GUI 200 may also display an electronic representation of a felt betting area 220 (or layout) for live roulette games operated by roulette machine 110. The player may wager on the live roulette games by placing one or more virtual chips 230 onto the felt betting area 220.

For example, the player may place virtual chips 230 onto an area of felt betting area 220 that identifies a particular ball slot in which the player believes a roulette ball will come to rest within a particular game cycle. As another example, the player may place virtual chips 230 onto an area of felt betting area 220 that identifies a particular range of ball slots in which the player believes a roulette ball will come to rest. The player may also place virtual chips 230 onto felt betting area 220 to bet that during a particular game cycle a roulette ball will come to rest in a ball slot associated with a particular color (e.g., red or black). As another example, the player may also place virtual chips 230 onto felt betting area 220 to bet that a roulette ball will come to rest in a ball slot associated with an odd or even number.

**[0044]** A wagering update area 240 of GUI 200 may also present information regarding an amount currently wagered by the player on the live roulette games operated by roulette machine 110. Information regarding a payout amount won by the player through previous bets may also be presented to the player in wagering update area 240. In an embodiment, wagering update area 240 may also present the player with information regarding an aggregate amount wagered and/or won in a current session. In an embodiment, wagering update area 240 may also present the player with information regarding an aggregate amount wagered and/or won within a predetermined period of time (e.g., hour, day, month, year, lifetime, etc.).

**[0045]** GUI 200 may also present a status update area 250 that provides the player with information about a current game cycle of the live roulette games operated by roulette machine 110. For example, status update area 250 may inform the player that a betting window associated with the current game cycle is in an open state. The betting window is in the open state between a bet open time and a bet close time. As long as the betting window remains in the open state, the player is free to wager on the current game cycle of the live roulette games. The betting window associated with the current game cycle transitions from the open state to a closed state when the bet close time is reached. Status update area 250 may inform the player that a betting window associated with the current game cycle is in the closed state.

**[0046]** A historical data area 260 of GUI 200 may provide the player with information about results from previous game cycles of the live roulette games. For example, historical data area 260 may display a sequence of individual results from the previous game cycles. As another example, historical data area 260 may display statistical information about the previous game cycles. The statistical information may include a percentage of a predetermined number of

previous game cycles in which the roulette ball came to rest in a particular color, a ball slot associated with an odd number, a particular range of ball slots, and the like.

**[0047]** Figures 3-5 illustrate a roulette machine 300 in accordance with an embodiment of the present disclosure. In an embodiment, roulette machine 300 may be used to implement roulette machine 110 of roulette wagering system 100 in Figure 1. As best seen in Figure 4, a transparent cover 310 (e.g., a glass dome) encases an underlying roulette wheel 320 such that aspects related game play remain visible. Transparent cover 310 may provide a physical means of isolating roulette wheel 320 from an environment surrounding roulette machine 300. By isolating roulette wheel 320, transparent cover 310 reduces the likelihood that game cycle results are impacted by influences present in the environment surrounding roulette machine 300. Examples of such influences include dealers, players, external dust, air flow, and the like.

**[0048]** Turning to Figure 5, a top down view of roulette machine 300 is provided after transparent cover 310 has been removed. As shown by Figure 5, roulette machine 300 includes roulette wheel 320, annular track 330, and ball launch tube 340. In operation, a roulette ball is launched from ball launch tube 340 into annular track 330 at launch point 350 as each game cycle commences. In the example depicted by Figure 5, the roulette ball is launched in a direction represented by the arrow associated with designator 505. As the roulette ball rotates around roulette wheel 320, roulette wheel 320 is rotating in an opposing direction represented by the arrow associated with designator 515.

**[0049]** In an embodiment, roulette machine 300 further includes at least one inertial data sensor 360 associated with annular track 330, such as being incorporated into the annular track 330 in some manner. Inertial data sensor 360 is configured to obtain inertial information associated with a roulette ball launched into annular track 330. Examples of such inertial information include a velocity that the roulette ball is launched into annular track 330, deceleration of the roulette ball's velocity after being launched into annular track 330, and the like. The inertial information obtained by inertial data sensor 360 may be used to determine inertial-related information associated with the roulette ball subsequent to being launched into annular track 330, and the like. Such inertial-related information may include a number of time that the roulette ball rotates within angular track ("ball revolutions"), a direction the roulette ball spins while rotating around angular track 330, a velocity that the roulette ball spins while rotating around angular track 330, and the like.

**[0050]** In an embodiment, roulette machine 300 further includes at least one image sensor 370. The at least one image sensor 370 is configured to capture image data associated with particular game cycles of the live roulette games operated by roulette machine 300. Image sensor 370 may provide the captured image data to a controller associated with roulette machine 300 as a video stream, a sequence of individual image frames, raw image data, and the like. In an embodiment, a controller (in the form of a computer system, see Figure 18) associated with roulette machine 300 may configure image sensor 370 by specifying a frame-rate, a resolution, a color value, a video stream encoding format, a subset of the image sensor's available pixels to activate and/or deactivate, and the like.

**[0051]** In an embodiment, image sensor 370 is configured to capture image data on a continuous basis. For example, the image data captured by image sensor 370 may provide a live video feed of the live roulette games operated by roulette machine 300. In an embodiment, image sensor 370 is configured to capture image data for a predefined period of a particular game cycle. For example, such predefined periods may be associated with a roulette ball being launched into annular track 330, a roulette ball coming to rest in a particular ball slot of roulette wheel 320, a betting window associated with a particular game cycle, and the like.

**[0052]** In an embodiment, image sensor 370 is configured to capture image data associated with a particular area of roulette wheel 320. Examples of the particular area include launch point 350, an arc portion of annular track 330, a predefined reference point of roulette wheel 320, a table stop position of roulette wheel 320, and the like.

**[0053]** In an embodiment, roulette machine 300 further includes one or more audio output devices 380 (e.g., speakers). As best seen in Figure 3, the audio output devices 380 may be positioned around an outer circumference of roulette machine 300. The audio output devices 380 may present audible announcements regarding events associated with roulette machine 300. The audible announcements may enable roulette machine 300 to better serve hearing impaired guests. Examples of such events include information about an operating state (e.g., down for maintenance) of roulette machine 300, information about a current game cycle (e.g., a betting window associated with the current game cycle is open), and the like. The audio output devices 380 may also provide background music, sound effects, and the like to players and other guests interacting with roulette machine 300.

[0054] Because the roulette wheel 320 is covered by transparent cover 310, it may not be possible for players to hear the ball as it spins and jumps around on the roulette wheel 320, which for some players changes a favored aspect of the game. Hence, the audio output devices 380 may play sounds that correspond to the movement of the ball as it launched, as it moves around the annular track 330, as it bounces around on the roulette wheel 320, and as it settles into a ball slot. Lighting may also be employed to help players follow the movement of the ball.

[0055] Figure 6 illustrates a ball launch assembly 600 in accordance with an embodiment of the present disclosure. As shown by Figure 6, ball launch assembly 600 includes a propulsion assembly 610, launch device 620, and ball launch tube 630. In an embodiment, ball launch tube 630 is used to implement ball launch tube 340 of Figure 5. Ball launch assembly 600 is configured to launch a roulette ball into the annular track at a launch point of a roulette machine (e.g., roulette machine 300 of Figures 3-5) coupled to ball launch assembly 600. In operation, ball launch assembly 600 receives launch commands from a controller associated with the roulette machine. Each launch command initiates a game cycle of the live roulette games operated by the roulette machine.

[0056] In response to receiving a launch command, ball launch assembly 600 introduces a roulette ball into the launch device 620, where propulsion from the propulsion assembly 610 launches the roulette ball through the ball launch tube 630. Launch device 620 imparts a motion to the ball thereby launching the roulette ball into the annular track of the roulette machine. Various means may be used by launch device 620 to impart motion to the roulette ball, such as spring-based propulsion, electromagnetic propulsion, vacuum propulsion, pressurized air propulsion, and the like. For example, launch device 620 may be implemented using a vacuum generator, a regulated air fan for blowing the ball out of the launch tube, a spring-actuated ball collider, a variable magnet, and the like.

#### **Roulette Ball Launch Speed Adjustment**

[0057] In an embodiment, a launch command received by ball launch assembly 600 includes propulsion information that configures launch device 620 to generate a specified propulsion force, in this case from an air fan. In an embodiment, the specified propulsion force is determined based on an expected or intended velocity of the roulette ball at a launch point (e.g., launch point 350 of Figure 5) of the annular track. In an embodiment, the specified

propulsion force is determined based on an expected or intended number of ball revolutions the annular track.

**[0058]** In an embodiment, a launch command received by ball launch assembly 600 includes synchronization information that configures launch device 620 to impart a motion to the roulette ball at a specified time. In an embodiment, the specified time is determined based on an intended arrival time of the ball at a launch point of the annual track. In an embodiment, the specified time is determined in part based on an output of a random number generator.

**[0059]** Such launch commands received by ball launch assembly 600 represent one way that casinos and other gaming establishments may optimize game cycle times for live roulette games operated by roulette machines. By optimizing game cycle times, each roulette machine may provide more live roulette games within a given period of time than it otherwise could. More live roulette games translate into improved guest satisfaction through reduced wait times for players. This increase in live roulette games also translates into increased profitability for casinos and other gaming establishments.

**[0060]** However, as discussed above, friction between a roulette ball and an annular track of a roulette machine that causes the roulette ball to lose momentum and settle into a ball slot may also erode some material from the annular track. That material eroded from the annular track becomes dust within a roulette wheel of the roulette machine and the annular track. Dust within the roulette wheel and the annular track interacts with roulette balls, which impacts game cycle times. For example, dust within an annular track may increase friction between a roulette ball and the annular track.

**[0061]** This increased friction may reduce a velocity of a roulette ball and/or a number of ball revolutions in subsequent game cycles. By reducing the velocity of a roulette ball and/or a number of ball revolutions in subsequent game cycles, game cycle times of the subsequent game cycles increase. These increased game cycle times reduce the number of live roulette games that the roulette machine may provide within a given period of time. Such reduction in live roulette games translates into decreased guest satisfaction through increasing wait times for players and reduced profitability for casinos and other gaming establishments. Moreover, this problem may be further exacerbated when friction between roulette balls and the annular track erode more material from the annual track.

**[0062]** While dust may be removed from a roulette machine through maintenance operations, doing so renders the roulette machine unavailable for live roulette games. An air filter within the roulette machine may help mitigate dust. However, an air filter will eventually need to be replaced as dust accumulates on the air filter. Replacing an air filter requires maintenance downtime, which again renders the roulette machine unavailable for live roulette games.

**[0063]** A controller associated with the roulette machine may mitigate the impact that dust has on subsequent game cycle times by improving a correlation between expected or target inertial values established for the roulette balls to measured or actual inertial values associated with the roulette balls. Such inertial values may include a number of ball revolutions in the annular track, a measured or actual velocity of a roulette ball at a launch point of the annular track, or a combination thereof. The correlation between the expected inertial values and the actual inertial values are improved by regulating a specified propulsion force generated by a ball launch assembly (e.g., ball launch assembly 600 of Figure 6). The controller regulates the specified propulsion force generated by the ball launch assembly by adjusting propulsion information in launch commands sent to the ball launch assembly.

**[0064]** In an embodiment, the expected or target inertial values are established based on an expected number of game cycles operated by the roulette machine within a specified time period. For example, a casino or other gaming establishment may provide that the roulette machine is expected to operate 80 game cycles per hour. Based on the provided 80 game cycles per hour, a target number of ball revolutions may be established in order to meet the casino's expectations.

**[0065]** In order to improve the correlation between the expected inertial values and the actual inertial values, the controller may determine a specified propulsion force by monitoring inertial information associated with previous roulette balls launched into the annular track and inertial-related information determined from that inertial information. In an embodiment, the controller obtains inertial information and inertial-related information from inertial sensors associated with the roulette machine (e.g., inertial sensor 360 of Figure 5). The inertial information and the inertial-related information may include any of the examples described above with respect to Figure 5. In an embodiment, the obtained inertial information and inertial-related information provides a feedback loop to the controller. This feedback loop assists the

controller in maintaining the correlation between the expected inertial values and the actual inertial values.

**[0066]** Figure 7 illustrates an embodiment in which a regulated air fan is used to implement a launch device (e.g., launch device 620 of Figure 6). In this embodiment, a controller is mitigating an impact of dust on subsequent game cycle times by improving a correlation between a target number and an actual number of ball revolutions in an annular track per game cycle. Specifically, the controller is mitigating the impact of dust by maintaining an actual daily average number of ball revolutions in the annular track near a target daily average of fifteen (15) ball revolutions per game cycle.

**[0067]** The top image in Figure 7 shows an actual daily average number of ball revolutions per game cycle over about a month. As shown by the top image in Figure 8, the actual daily average remains close to the target daily average number subject to some variance. The bottom image in Figure 7 shows an actual daily average pre-blow time for the regulated air fan over the same time period illustrated by the top image in Figure 8. In this embodiment, the actual daily average pre-blow time for the regulated air fan corresponds to the propulsion information discussed above with respect to Figure 6.

**[0068]** Note that while the actual daily average number of ball revolutions per game cycle remains relatively consistent, the actual daily average pre-blow time for the regulated air fan steadily increases. This steady increase in daily average pre-blow time may represent an attempt by the controller to improve a correlation between target values and actual values over this time period in order to mitigate the impact of accumulating dust on subsequent game cycle times. That is, the controller in this embodiment is causing the regulated air fan to generate an increasing amount of propulsion force by adjusting the pre-blow time in order to account for dust accumulating in the roulette machine over this time period.

**[0069]** In an embodiment, a controller may monitor propulsion information sent to a ball launch assembly relative to a predetermined threshold amount. In this embodiment, the controller may trigger a maintenance alert in response to determining the propulsion information exceeds the predetermined threshold amount. The maintenance alert may provide an indication that the roulette machine requires a maintenance operation to remove accumulated dust.

**[0070]** Monitoring inertial information and inertial-related information associated with the previously launched roulette balls provides another way that casinos and other gaming

establishments may optimize betting window times. Specifically, betting window times may be optimized in part by adjusting bet close times based on the monitored inertial information and inertial-related information. In order to improve guest satisfaction by maximizing the excitement and attractiveness of the live roulette games operated by a roulette machine, betting windows should remain in an open state as long as possible.

**[0071]** However, this may adversely affect a profitability of a roulette machine for casinos and other gaming establishments using the roulette machine. If the betting window remains in an open state too long, a likelihood of predicting game cycle results may increase. An increase in the likelihood of predicting game cycle results provides players with an unfair advantage that may lead to higher payouts.

**[0072]** One approach to make sure that the betting window does not remain open too long is to set a bet close time of the betting window using a predefined delay. Under this approach, a roulette ball is launched into an annular track and after the predefined delay the bet close time is set. The predefined delay may be determined based on previous game cycle observations, which ensures that the bet close time is set before players gain the unfair advantage.

**[0073]** If the betting window is closed too soon, players may place fewer bets on a particular game cycle than they otherwise would have. With fewer bets placed on a particular game cycle, less money is available to the casino in the form of lost bets. In either case – too long or too early – non-optimized betting window times adversely affect the profitability of the roulette machine. Therefore, a controller associated with a roulette machine operating live roulette games may increase a profitability of the roulette machine by optimizing the betting window times associated with the live roulette games.

**[0074]** In optimizing a betting window of a current game cycle, the controller may obtain inertial information and inertial-related information associated with a roulette ball used in the current game cycle. In an embodiment, the controller may obtain the inertial information, the inertial-related information, or a combination thereof from one or more inertial sensors (e.g. inertial sensor 360 of Figure 5) of the roulette machine. The inertial information and the inertial-related information may include any of the examples described above with respect to Figure 5.

**[0075]** Using the obtained inertial information and inertial-related information, the controller can determine the bet close time of the betting window. For example, a controller may

obtain a velocity measurement for a roulette ball at a launch point of an annular track. Using the velocity measurement for that roulette ball, the controller can determine a bet close time that ensures the betting window closes before players gain an unfair advantage. As such, the controller tailored the bet close time for that game cycle based on inertial information and inertial-related information associated with the roulette ball used in that game cycle. Therefore, betting windows of game cycles using faster roulette balls may remain in an open state longer than betting windows of game cycles using slower roulette balls.

**[0076]** An embodiment of such tailoring of bet close times using inertial information and inertial-related information associated with the roulette ball used in that game cycle is illustrated in Figure 8. Specifically, the top and bottom images in Figure 8 each represent a timeline for a particular game cycle. The top image in Figure 8 shows a timeline for a game cycle that uses a faster roulette ball (e.g., a roulette ball with a higher velocity at a launch point) than the game cycle associated with the timeline shown in the bottom image.

**[0077]** Comparing the timelines in Figure 8 demonstrates that a bet close time for the game cycle using the faster roulette ball (i.e., the top image) is set later than the game cycle using the slower roulette ball (i.e., the bottom image). Accordingly, a betting window for the game cycle using the relatively faster roulette ball remains in an open state longer than the game cycle using the relatively slower roulette ball. Yet, both game cycles have a substantially similar number of ball revolutions following their respective bet close times.

**[0078]** In an embodiment, a controller may estimate a number of ball revolutions following the determined bet close time for a game cycle. In this embodiment, the controller may obtain an actual number of ball revolutions following the determined bet close time for the game cycle. The controller may determine a delta value representing a difference between the estimated number and actual number of ball revolutions following the determined bet close time for the game cycle. The controller may adjust a bet close time for one or more subsequent game cycles based on the determined delta value. In some embodiments, a controller may obtain inertial information and inertial-related information associated with previous game cycles. In these embodiments, the controller may determine a bet close time based in part on the inertial information and inertial-related information associated with the previous game cycles.

### **Roulette Wheel Rotation Speed Adjustment**

**[0079]** Another way that casinos and other gaming establishments may optimize game cycle times is through random adjustments in a rotation speed of a roulette machine's roulette wheel (e.g., roulette wheel 320 of Figure 5). By randomly adjusting the rotation speed of the roulette wheel, a likelihood of predicting game cycle results may be reduced. As mobile devices (e.g., smart phones and tablets) with increased computational capacity and higher resolution image sensors become generally accessible, individuals may exploit such mobile devices to gain an unfair advantage in predicting game cycle results. For example, a game cycle result may theoretically be estimated from such data as an initial position of a roulette wheel, a rotation velocity of the roulette wheel, a ball launch position, a velocity of a roulette ball, and the like.

**[0080]** As discussed above, each live roulette game operated by the roulette machine is composed of a game cycle and a betting window associated with the game cycle. Moreover, the betting window includes a bet close time after which players are no longer allowed to place bets on the associated game cycle. Since players are no longer allowed to place bets after the bet close time, the individuals attempting to gain an unfair advantage cannot account for any adjustments made to the live roulette game following the bet close time. Factors such as the initial position of the roulette wheel, the ball launch position and the velocity of the roulette ball may not be adjustable after following the bet close time. However, a rotation velocity of the roulette wheel remains adjustable following the bet close time. Therefore, a controller associated with the roulette machine may mitigate any unfair advantage by adjusting the rotation velocity of the roulette wheel following the bet close time.

**[0081]** The controller may adjust a rotation velocity of a roulette wheel by sending a rotation adjustment command to one or more mechanical components associated with the roulette wheel's rotation. Examples of such mechanical components include a braking apparatus applying a braking force to the roulette wheel, a driving apparatus applying a driving force that causes the roulette wheel to rotate, and the like.

**[0082]** The rotation adjustment command may include a velocity delta value that specifies an expected rotation velocity following the velocity adjustment, a trigger time that specifies when the velocity adjustment is to be initiated, or a combination thereof. In an embodiment, the velocity delta value and the trigger time are each determined using input data from independent random number generators. In an embodiment, the velocity delta value and the trigger time are each determined using input data from a single random number generator.

**[0083]** A velocity delta value may be determined based on an expected rotation velocity of the roulette wheel as measured prior to a bet close time of a betting window for a particular game cycle. In an embodiment, an expected rotation velocity specified by the velocity delta value is less than an average human visual perception time. As used herein, an average human visual perception time refers to the minimal variance in a visual stimulus that an average human may perceive. In an embodiment, velocity delta values vary from game cycle to game cycle.

**[0084]** The trigger time of the rotation adjustment command may be any point in time subsequent to a bet close time of a betting window for a particular game cycle. Moreover, the trigger time of the rotation adjustment command may be any point in time after a roulette ball is launched into the annular track. In an embodiment, the trigger time of the rotation adjustment command is determined based on an estimation of when the roulette ball will exit the annular track. In an embodiment, the trigger time of the rotation adjustment command is determined based on an estimation of when the roulette ball will be launched into the annular track. In an embodiment, the trigger time of the rotation adjustment command is determined based on an expected number of ball revolutions in the annular track.

**[0085]** In an embodiment, a braking apparatus associated with the roulette wheel may adjust a braking force applied to the roulette wheel in response to the rotation adjustment command. For example, the braking apparatus may increase the braking force applied to the roulette wheel in response to the rotation adjustment command. As another example, the braking apparatus may decrease the braking force applied to the roulette wheel in response to the rotation adjustment command.

**[0086]** In an embodiment, a driving apparatus associated with the roulette wheel may adjust a driving force that spins the roulette wheel in response to the rotation adjustment command. For example, the driving apparatus may increase the driving force thereby causing the roulette wheel to spin faster in response to the rotation adjustment command. As another example, the driving apparatus may decrease the driving force thereby causing the roulette wheel to spin slower in response to the rotation adjustment command.

**[0087]** Figure 9 illustrates an embodiment in which a controller sends a rotation adjustment command to a driving apparatus associated with a roulette wheel. In Figure 9, a rotation velocity (or wheel speed) of the roulette wheel is illustrated as a function of time. The

timeline sections along the bottom of Figure 9 (i.e., “Ball launch,” “Ball running,” and “Winning number detection”) are provided to illustrate a timing of a velocity adjustment relative to a timing of an underlying game cycle.

**[0088]** As shown in the embodiment depicted by Figure 9, the rotation velocity of the roulette wheel remains substantially constant until some point in time after a roulette ball is launched into an annular track. After the roulette ball is launched into the annular track, a bet close time occurs, which transitions a betting window associated with the game cycle from an open state to a closed state. In the embodiment depicted by Figure 9, the bet close time occurs at any point within a “Speed Change Time.”

**[0089]** Within the “Speed Change Time,” the driving apparatus receives the rotation adjustment command that includes a trigger time annotated by a dotted line at the end of the “Speed Change Time.” The rotation adjustment command further includes a velocity delta value that specifies an expected rotation velocity (i.e., wheel speed + Delta Rotation Speed) following the velocity adjustment. In response to the rotation adjustment command, the driving apparatus increases the driving force that spins the roulette wheel thereby causing the roulette wheel to spin faster. Following the velocity adjustment, the rotation velocity of the roulette wheel becomes substantially constant again before the roulette ball settles into a ball pocket and a game cycle result is detected.

### **Winning Result Photo Sensor Positions**

**[0090]** Another way in which the roulette machine 110 can be adjusted to speed up game play involves the manner in which the roulette wheel is stopped in order to show the ball in a number slot at the conclusion of a game cycle. Figures 10 and 11 illustrate alternative image sensor or camera positions and the points at which braking needs to be started in order for the table to stop at a position where the camera will be able to collect an image of the ball in the number slot. Figure 10 illustrates a default position 1002 of the camera and Figure 11 illustrates an alternative position 1102 of the camera. In each case, the ball base of launch position 1004 remains the same as does the position detection sensor 1006. In Figure 10, however, the braking starting point 1008 and table stop position 1010 are different from the braking starting point 1108 and table stop position 1110 of Figure 11, so as to align the winning number slot with the position of the camera. The braking starting points 1008 and 1108 are illustrative only and depend on the braking system’s actually ability to brake.

### **Generating Audio and Visual Effects**

**[0091]** While optimizing game cycle times may improve a roulette machine's profitability, improving guest satisfaction of player interacting with the roulette machine may further improve the profitability. As previously noted, one of the most distinctive and thrilling sounds associated with live roulette games is produced when the roulette ball leaves the annular track, hits a ball stop, and bounces about the roulette wheel before coming to rest in one of the ball slots. A controller associated with the roulette machine may leverage those distinctive and thrilling sounds to improve guest satisfaction. The controller may leverage those distinctive and thrilling sounds by obtaining audio associated with a roulette ball used in a game cycle. In an embodiment, the controller obtains such audio from audio sensors (e.g., a microphone) within the roulette machine. In an embodiment, the controller obtains such audio from audio sensors external to the roulette machine.

**[0092]** Upon obtaining the audio, the controller may analyze the audio to detect specific game cycle events. Examples of the game cycle events include a roulette ball being launched into an annular track, the roulette ball rotating around the annular track, the roulette ball exiting the annular track, the roulette ball hitting one or more ball stops, the roulette ball bouncing about a roulette wheel, the roulette ball settling into a particular ball slot of the roulette wheel, and a game cycle result determination. In an embodiment, the controller may filter the obtained audio to minimize background noise captured by the audio sensors.

**[0093]** Instead of simply amplifying the obtained audio, the controller may generate sound effects based on a current theme surrounding the roulette machine. That is, the obtained audio may be used to generate sound effects that complement the current theme. In an embodiment, a different sound effect may be generated for each game cycle event. In an embodiment, each sound effect may be modified based on inertial information and/or inertial-related information associated with a roulette ball used in that game cycle. In an embodiment, the generated sound effects may be output by audio output devices within the roulette machine (e.g., audio output devices 380 of Figure 3). In an embodiment, the generated sound effects may be output by audio output devices external to the roulette machine.

**[0094]** For example, a casino or other gaming establishment may have a Hawaiian-themed night. In this example, a controller may use the obtained audio to generate sound effects that complement the Hawaiian-themed night. The generated sound effects may include a

Polynesian song associated with a hula dance. The controller may cause a loud intro to the Polynesian song to be played when the controller detects a roulette ball being launched into an annular track using the obtained audio. The controller may increase a tempo of the Polynesian song based on a velocity of the roulette ball when the controller detects the roulette ball rotating around the annular track. The controller may introduce a beat into the Polynesian song when the controller detects the roulette ball bouncing about a roulette wheel.

[0095] In addition to generating sound effects, the controller may use the game cycle events detected with the obtained audio to present information associated with the roulette machine to players and other guests. For example, a plurality of audio output devices may be positioned around an outer circumference of the roulette machine as shown by Figure 12. The controller may cause each of the plurality of audio output devices to sequentially produce audible indications as the roulette ball passes by. That is, an audio indication is produced by the audio output device associated with designator 1210 as the roulette ball passes, then by the audio output device associated with designator 1220, the audio output device associated with designator 1230, and so on. Figure 13 illustrates an example in which a plurality of visual output devices (e.g., LED lights) positioned around an outer circumference of the roulette machine are used to produce visual indications as the roulette ball passes by as well as other events. Lighting events include a stand by state, a ball launched state, a ball out state, a ball in track state, a bets closed state, a track off state, a temporary result state, a result state, a golden ball stated and an error state. In an embodiment, the visual output devices may be utilized as programmable screen savers when the roulette machine is not operating live roulette games.

### **Synchronized Game Cycles for Double Roulette Machines**

[0096] Figure 14 illustrates an automated roulette wagering system 1400 in accordance with an embodiment of the present disclosure. In an embodiment, automated roulette wagering system 1400 is substantially similar to automated roulette wagering system 100 of Figure 1. One notable difference between automated roulette wagering system 1400 and automated roulette wagering system 100 of Figure 1 is that automated roulette wagering system 1400 includes two roulette machines (i.e., roulette machines 1410 and 1415). In an embodiment, automated roulette wagering system 1400 includes three or more roulette machines. Another notable difference between automated roulette wagering system 1400 and automated roulette wagering system 100 of Figure 1 is that roulette machines 1410 and 1415 each have a corresponding central display

(i.e., central displays 1420 and 1425). In an embodiment, roulette machines 1410 and 1415 of automated roulette wagering system 1400 may share a single central display.

**[0097]** By including two (or more) roulette machines, automated roulette wagering system 1400 allows players to interact with multiple live roulette games via any of a plurality of play stations 1430. In an embodiment, roulette machines 1410 and 1415 may each have unique features that enable players to visually distinguish between the live roulette games operated by each roulette machine. For example, the roulette wheel and/or betting area layouts on GUIs presented by play stations 1430 may include different colors, different patterns, and the like. While eight (8) play stations 1430, four in front and four in back, are illustrated in the embodiment depicted by Figure 14, one skilled in the art will recognize that automated roulette wagering system 1400 may include any number of play stations associated with roulette machines 1410 and 1415.

**[0098]** In an embodiment, a single controller (not depicted) may interact with roulette machines 1410 and 1415 to control various mechanical aspects of the live roulette games operated by each respective roulette machine. For example, the single controller may synchronize game cycles of the live roulette games operated by roulette machines 1410 and 1415. Synchronizing the game cycles of roulette machines 1410 and 1415 would allow automated roulette wagering system 1400 to operate in two modes of play. In an embodiment, the single controller synchronizes the game cycles of roulette machines 1410 and 1415 by issuing launch commands to a ball launch assembly (e.g., ball launch assembly 600 of Figure 6) associated with each roulette machine. Using the launch commands, the single controller instruct each ball launch assembly's respective launch device (e.g., launch device 620 of Figure 6) to impart a motion to a roulette ball at a specified time.

**[0099]** In a first mode of play, roulette machines 1410 and 1415 operate in series such that game cycle results associated with each respective roulette machine are determined in sequence. That is, a game cycle result associated with a game cycle operated by roulette machines 1410 is determined before a game cycle result associated with a game cycle operated by roulette machines 1415 in the first mode of play. Determining game cycle results in sequence enables a next game to be started immediately as a prior game concludes, which would be faster than possible with a single roulette machine, thereby providing players with an opportunity to

interact with an increased number of live roulette games thereby reducing each player's downtime.

**[00100]** In a second mode of play, roulette machines 1410 and 1415 operate in parallel such that game cycle results associated with each respective roulette machine are determined concurrently. That is, a game cycle result associated with a game cycle operated by roulette machines 1410 is determined at the same time as a game cycle result associated with a game cycle operated by roulette machines 1415 in the second mode of play. Concurrently determining game cycle results provides players with an opportunity to place side bets based on game cycle results from both game cycles operated by roulette machines 1410 and 1415. Examples of such side bets include wagers on which roulette machine's game cycle result will be associated with a higher number, which roulette machine's game cycle result will be associated with a lower number, whether an aggregate of the numbers associated with each roulette machine's game cycle results will be above or below a specified number, whether a color associated with each roulette machine's game cycle results will be the same or different, and the like.

**[00101]** Each play station among the plurality of play stations 1430 is generally configured to enable a player to participate in the live roulette games operated by roulette machine 1410, roulette machine 1415, or a combination thereof. In an embodiment, each play station among the plurality of play stations 1430 is further configured to enable the player to participate in at least one additional game of chance. In an embodiment, the at least one game of chance is operated by a gaming device other than roulette machines 1410 and 1415. For example, a play station 1430 may enable the player to fund a credit balance for placing bets, place bets on games of chance (e.g., the live roulette games operated by roulette machine 1410 and 1415), receive winnings associated with bets placed on games of chance, and the like. In an embodiment, a play station may enable the player to interact with an object associated with a game of chance. Examples of such objects include dice, a ball, a wheel, and the like.

**[0102]** As best illustrated in Figures 15 and 16, play station 1430 may present a GUI (e.g., GUI 1500 or GUI 1600) that enables a player to concurrently participate in the live roulette games operated by both roulette machines (i.e., roulette machines 1410 and 1415). Figures 15 and 16 illustrate that GUIs 1500 and 1600 each present the player with similar information and functionalities associated with the live roulette games, as discussed above with respect to GUI of

Figure 2. Accordingly, such information and functionalities will not be described here to avoid obscuring more pertinent aspects of the embodiments depicted by Figures 15 and 16.

**[0103]** Figure 15 illustrates an example in which play station 1430 presents a player with a split-screen GUI (GUI 1500) for interacting with the live roulette games operated by roulette machines 1410 and 1415. GUI 1500 includes a first game play area 1510 and a second game play area 1520 that each represent a portion of GUI 1500's available display area. As shown by the example depicted by Figure 15, the portions of GUI 1500's available display area allocated to first game play area 1510 and second game play area 1520 are approximately equal. First game play area 1510 and second game play area 1520 are allocated for presenting the player with information and functionalities associated with the live roulette games operated by roulette machines 1410 and 1415, respectively.

**[0104]** A "show special bets" icon (e.g., icon 1515) may be provided in a game play area. The "show special bets" icon presents the player with an opportunity to place one or more side bets associated with the live roulette games operated by roulette machines 1410 and 1415. Examples of such side bets include any of the side bets discussed above with respect to Figure 14. In an embodiment, the "show special bets" icon presents the player with an opportunity to place one or more side bets not associated with the live roulette games operated by roulette machines 1410 and 1415. For example, the "show special bets" icon may present the player with an opportunity to place one or more side bets on a nearby craps game.

**[0105]** In the example depicted by Figure 15, first game play area 1510 and second game play area 1520 are separated by a demarcation line 1530 that providing another means of visually distinguishing each game play area. However, some embodiments of the present disclosure may omit demarcation line 1530. Above demarcation line 1530 in GUI 1500 are toggle icon 1535 and 1545.

**[0106]** Toggle icon 1545 and 1555 are configured to adjust a relative sizing of first game play area 1510 and second game play area 1520. Specifically, toggle icon 1545 enables the player to increase the portion of available screen area allocated to first game play area 1510 while reducing the portion of available screen area allocated to second game play area 1520. In contrast, toggle icon 1555 enables the player to increase the portion of available screen area allocated to second game play area 1520 while reducing the portion of available screen area allocated to first game play area 1510. Adjusting the relative sizing of first game play area 1510

and second game play area 1520 presents the player with an accordion-screen GUI (e.g., GUI 1600 of Figure 16).

**[0107]** Figure 16 illustrates an example in which the player selected toggle icon 1555. In response, play station 1430 presents the player with the accordion-screen GUI (GUI 1600). Increasing the portion of available screen area allocated to a particular game play area presents that game play area in an enlarged state (e.g., second game play area 1620). In addition to adjusting the relative sizing of game play areas, GUI 1600 also includes toggle icon 1665 that enables the player to return to a split-screen GUI (e.g., GUI 1500 of Figure 15).

**[0108]** In an enlarged state, a game play area presents the player with at least the same information and functionalities as would be presented to the player in a split-screen GUI (e.g., GUI 1500). In an embodiment, increasing a portion of available screen area allocated to a particular game play area presents a player with additional information, additional functionalities, or a combination thereof.

**[0109]** Reducing the portion of available screen area allocated to a particular game play area presents that game play area in a shrunk state (e.g., first game play area 1610). In a shrunk state, a game play area presents the player with less information and/or functionalities than would be presented to the player in a split-screen GUI (e.g., GUI 1500). For example, first game play area 1610 does not present the player with information regarding a last bet placed or a last bet won on the live roulette games operated by roulette machine 1410. In an embodiment, a game play area in a shrunk state presents a player with a minimal amount of information regarding a game of chance as specified by an appropriate licensing authority.

**[0110]** As another example, first game play area 1610 does not present the player with a “show special bets” icon. In contrast, second game play area 1620 in the enlarged state retains a “show special bets” icon 1625. In an embodiment, a game play area in a shrunk state only provides a player with an opportunity to repeat a bet on a game of chance that was placed prior to entering the shrunk state. In this embodiment, the player may resize the game play area in the shrunk state for an opportunity to place any other bets besides the bet that was placed prior to entering the shrunk state. For example, the player may select toggle icon 1665 to return to a split-screen GUI (e.g., GUI 1500) or select toggle icon 1545 to increase the portion of available screen area allocated to first game play area 1610 while reducing the portion of available screen area allocated to second game play area 1620.

**Risk Level Betting**

**[0111]** Roulette wagering systems such as roulette wagering system 1400 with numerous play stations and one or more roulette machines enable tournaments to be run on the roulette wagering system between the players in the same manner that slot tournaments are run on more traditional slot machines. In such tournaments, there is a starting amount of credits, a start time, and an end time and whoever wins the most credits between the start time the end time wins the tournament. Slots, however, are easy to understand, so players know that if they play the maximum bet each time they play a slot machine, they may run out of credits before the end time. If they play a minimum bet, they may not run out of credits, but they may also not win because betting the maximum increases the player's chance of winning. Players may therefore switch between minimum and maximum bets as they play in order to control their risk level and, if they are lucky, increase their chances of winning the tournament.

**[0112]** Betting in roulette is more complicated as there are so many different ways in which a bet can be placed and multiple different bets are permitted per game cycle. While a player could employ simple bets like just playing red or black or odd or even (which have a lower payout) each bet to simulate something like a minimum slot bet and just play straight up numbers (which has a higher payout) each bet to simulate something like a maximum slot bet, the players would still be missing out on many other betting options that could win. Accordingly, an embodiment may be directed to two or more betting options based on a desired level of risk or volatility, such as low or high or low, medium or high. Depending on the amount of credits to be bet and the risk level or volatility level chosen, bets may be randomly placed in predetermined amounts on different types of bets that correspond to the risk level. The GUI of a game play area may display two or three buttons that allow the player to select a bet at a specified risk level, such as low/high or low/medium/high and bets will automatically be placed in accordance with the selected risk level and the amount of credits bet.

**[0113]** If there are two risk levels, a bet of 50 credits at a low risk level, for example, may result in 10 credits being placed on red or black, 10 credits on even or odd, 10 credits on high or low, 10 credits on one third and 10 credits on one column. The same bet at a high risk level will result in some credits on a six line, some credits on a street, some credits on a corner, some credits on a split, and some credits on a straight up, although other betting combinations are possible. If there are three risk or volatility levels, then bets may be placed in accordance

with Table 1, which illustrate how credits corresponding to a bet will be distributed across a number of different types of bets depending on the volatility level chosen

**Volatility 1**

Bet volume	Red/Black	Even/Odd	High/Low	Third	Column	6 numbers	Street	Corner	Split	Straight
50	10	10	10	10	10					
100	25	25	25	10	10	5				
200	50	50	50	20	20	10				
300	75	75	75	30	30	15				
400	100	100	100	40	40	20				
500	125	125	125	50	50	25				
750	200	200	200	60	60	30				
1000	250	250	250	100	100	50				

**Volatility 2**

Bet volume	Red/Black	Even/Odd	High/Low	Third	Column	6 numbers	Street	Corner	Split	Straight
50				10	10	12	12	2x3		
100				20	20	24	24	2x6		
200				40	40	40	40	4x10		
300				60	60	75	75	5x6		
400				80	80	80	80	4x20		
500				100	125	125	125	5x15		
750				150	150	150	150	5x30		
1000				200	200	100	200	5x60		

**Volatility 3**

Bet volume	Red/Black	Even/Odd	High/Low	Third	Column	6 numbers	Street	Corner	Split	Straight
50										5x10
100									5x10	5x10
200									5x20	5x20
300								5x20	5x20	5x20
400								5x20	5x20	5x40
500								5x20	5x40	5x40
750								5x50	5x50	5x50
1000								4x50	6x50	5x100

Table 1

[0114] Figure 17 illustrates a display screen that may be implemented to enable players to play risk level or volatility level bets instead of regular bets. Of course, volatility level bets could be combined with the ability to place regular bets as well. As shown in Figure 17, the GUI display 1700 includes a display of a roulette wheel 1702 and betting area 1704 and three bet buttons, including low risk button 1706, medium risk button 1708 and high risk button 1710. The GUI could also include other betting options, such as the ability to play individual bets in addition to or in place of the volatility level bets, as well as other betting elements, such as a boost button 1720 that allows a player to boost their winnings by some percentage during a short

period of time after the results are announced, or during the period of time during which the ball lands in a slot, but the result is not yet announced. The percentage increase may increase with each use, going from 2x the first time to 3x, 5x and 10x for each subsequent use. In such a case, the player would not have sufficient time to check all of their bets to make sure the boost will help them the most, so whether boost is advantageous is purely a matter of luck. The boost button may only be used a limited number of time during a tournament, such as three or four times, which may be indicated by light bars 1722 above the boost button 1720.

**[0115]** The present disclosure describes particular embodiments and their detailed construction and operation. The embodiments described herein are set forth by way of illustration only and not limitation. Those skilled in the art will recognize, in light of the teachings herein, that there may be a range of equivalents to the exemplary embodiments described herein. Most notably, other embodiments are possible, variations can be made to the embodiments described herein, and there may be equivalents to the components, parts, or steps that make up the described embodiments. For the sake of clarity and conciseness, certain aspects of components or steps of certain embodiments are presented without undue detail where such detail would be apparent to those skilled in the art in light of the teachings herein and/or where such detail would obfuscate an understanding of more pertinent aspects of the embodiments.

**[0116]** The techniques described above can be implemented on a computing device associated with a gaming device (e.g., a roulette machine operating a live roulette game), a plurality of computing devices associated with a plurality of gaming devices, a controller in communication with the gaming device(s) (e.g., a controller configured to synchronize the gaming devices(s)), or a plurality of controllers in communication with the gaming device(s). Additionally, the techniques may be distributed between the computing device(s) and the controller(s). Figure 18 illustrates an exemplary block diagram of a computing system that includes hardware modules, software module, and a combination thereof and that can be implemented as the computing device and/or as the server.

**[0117]** In a basic configuration, the computing system may include at least a processor, a system memory, a storage device, input/output peripherals, communication peripherals, and an interface bus. Instructions stored in the memory may be executed by the processor to perform a variety of methods and operations, including the roulette wheel velocity adjustments and result detection optimization, as described above. The computing system

components may be present in the gaming device, in a server or other component of a network, or distributed between some combination of such devices.

**[0118]** The interface bus is configured to communicate, transmit, and transfer data, controls, and commands between the various components of the electronic device. The system memory and the storage device comprise computer readable storage media, such as RAM, ROM, EEPROM, hard-drives, CD-ROMs, optical storage devices, magnetic storage devices, flash memory, and other tangible storage media. Any of such computer readable storage medium can be configured to store instructions or program codes embodying aspects of the disclosure. Additionally, the system memory comprises an operation system and applications. The processor is configured to execute the stored instructions and can comprise, for example, a logical processing unit, a microprocessor, a digital signal processor, and the like.

**[0119]** The system memory and the storage device may also comprise computer readable signal media. A computer readable signal medium may include a propagated data signal with computer readable program code embodied therein. Such a propagated signal may take any of variety of forms including, but not limited to, electro-magnetic, optical, or any combination thereof. A computer readable signal medium may be any computer readable medium that is not a computer readable storage medium and that can communicate, propagate, or transport a program for use in connection with the computing system.

**[0120]** Further, the input and output peripherals include user interfaces such as a keyboard, screen, microphone, speaker, other input/output devices, and computing components such as digital-to-analog and analog-to-digital converters, graphical processing units, serial ports, parallel ports, and universal serial bus. The input/output peripherals may also include a variety of sensors, such as on or more of light, proximity, GPS, magnetic field, altitude, velocity/acceleration, RSSI, and distance sensors, as well as other types of sensors. The input/output peripherals may be connected to the processor through any of the ports coupled to the interface bus.

**[0121]** The user interfaces can be configured to allow a user of the computing system to interact with the computing system. For example, the computing system may include instructions that, when executed, cause the computing system to generate a user interface and carry out other methods and operations that the user can use to provide input to the computing system and to receive an output from the computing system.

**[0122]** This user interface may be in the form of a graphical user interface that is rendered at the screen and that is coupled with audio transmitted on the speaker and microphone and input received at the keyboard. In an embodiment, the user interface can be locally generated at the computing system. In another embodiment, the user interface may be hosted on a remote computing system and rendered at the computing system. For example, the server may generate the user interface and may transmit information related thereto to the computing device that, in turn, renders the user interface to the user. The computing device may, for example, execute a browser or an application that exposes an application program interface (API) at the server to access the user interface hosted on the server.

**[0123]** Finally, the communication peripherals of the computing system are configured to facilitate communication between the computing system and other computing systems (e.g., between the computing device and the server) over a communications network. The communication peripherals include, for example, a network interface controller, modem, various modulators/demodulators and encoders/decoders, wireless and wired interface cards, antenna, and the like.

**[0124]** The communication network includes a network of any type that is suitable for providing communications between the computing device and the server and may comprise a combination of discrete networks which may use different technologies. For example, the communications network includes a cellular network, a WiFi/ broadband network, a local area network (LAN), a wide area network (WAN), a telephony network, a fiber-optic network, or combinations thereof. In an example embodiment, the communication network includes the Internet and any networks adapted to communicate with the Internet. The communications network may be also configured as a means for transmitting data between the computing device and the server.

**[0125]** The techniques described above may be embodied in, and fully or partially automated by, code modules executed by one or more computers or computer processors. The code modules may be stored on any type of non-transitory computer-readable medium or computer storage device, such as hard drives, solid state memory, optical disc, and/or the like. The processes and algorithms may be implemented partially or wholly in application-specific circuitry. The results of the disclosed processes and process steps may be stored, persistently or

otherwise, in any type of non-transitory computer storage such as, e.g., volatile or non-volatile storage.

**[0126]** As previously noted, the various features and processes described above may be used independently of one another, or may be combined in various ways. All possible combinations and sub-combinations are intended to fall within the scope of this disclosure. In addition, certain method or process blocks may be omitted in some implementations. The methods and processes described herein are also not limited to any particular sequence, and the blocks or states relating thereto can be performed in other sequences that are appropriate. For example, described blocks or states may be performed in an order other than that specifically disclosed, or multiple blocks or states may be combined in a single block or state. The example blocks or states may be performed in serial, in parallel, or in some other manner. Blocks or states may be added to or removed from the disclosed example embodiments. The example systems and components described herein may be configured differently than described. For example, elements may be added to, removed from, or rearranged compared to the disclosed example embodiments.

**[0127]** Conditional language used herein, such as, among others, "can," "could," "might," "may," "e.g.," and the like, unless specifically stated otherwise, or otherwise understood within the context as used, is generally intended to convey that certain embodiments include, while other embodiments do not include, certain features, elements, and/or steps. Thus, such conditional language is not generally intended to imply that features, elements and/or steps are in any way required for one or more embodiments or that one or more embodiments necessarily include logic for deciding, with or without author input or prompting, whether these features, elements and/or steps are included or are to be performed in any particular embodiment. The terms "comprising," "including," "having," and the like are synonymous and are used inclusively, in an open-ended fashion, and do not exclude additional elements, features, acts, operations, and so forth. Also, the term "or" is used in its inclusive sense (and not in its exclusive sense) so that when used, for example, to connect a list of elements, the term "or" means one, some, or all of the elements in the list.

**[0128]** The present disclosure describes particular embodiments and their detailed construction and operation. The embodiments described herein are set forth by way of illustration only and not limitation. Those skilled in the art will recognize, in light of the

teachings herein, that there may be a range of equivalents to the exemplary embodiments described herein. Most notably, other embodiments are possible, variations can be made to the embodiments described herein, and there may be equivalents to the components, parts, or steps that make up the described embodiments. For the sake of clarity and conciseness, certain aspects of components or steps of certain embodiments are presented without undue detail where such detail would be apparent to those skilled in the art in light of the teachings herein and/or where such detail would obfuscate an understanding of more pertinent aspects of the embodiments.

**[0129]** The terms and descriptions used above are set forth by way of illustration only and are not meant as limitations. Those skilled in the art will recognize that those and many other variations, enhancements and modifications of the concepts described herein are possible without departing from the underlying principles of the invention. The scope of the invention should therefore be determined only by the following claims and their equivalents.

What is claimed is:

1. A method for adjusting a launch speed of a roulette ball in a roulette machine, comprising:
  - setting an expected inertial value for the roulette ball for a game cycle to be played;
  - launching the roulette ball based on the expected inertial value;
  - monitoring inertial information associated with the roulette ball on a spinning roulette wheel of the roulette machine during the game cycle to determine an actual inertial value for the roulette ball during the game cycle;
  - determining a correlation between the expected inertial value and the actual inertial value; and
  - adjusting a launch speed of the roulette ball for a next game cycle based on the correlation.
2. The method as recited in claim 1, wherein the inertial information includes one or more of a number of roulette ball revolutions while the roulette ball is in an annular track of the roulette machine or a measured velocity of the roulette ball at a launch point of the annular track.
3. The method as recited in claim 1, wherein adjusting a launch speed includes regulating a specified propulsion force generated by a ball launch assembly of the roulette machine.
4. The method as recited in claim 3, wherein a controller of the roulette machine regulates the specified propulsion force by adjusting propulsion information in launch commands sent to the ball launch assembly.
5. The method as recited in claim 1, wherein the expected inertial value is based on an expected number of game cycles to be operated by the roulette machine within a specified time period.
6. The method as recited claim 1, wherein the expected inertial value is based on inertial information associated with roulette balls during prior game cycles.

7. The method as recited in claim 1, wherein the inertial information is collected from inertial sensors associated with the roulette wheel.
8. The method as recited in claim 1, wherein the inertial information provides a feedback loop to a controller of the roulette machine that is configured to maintain the correlation based on the feedback loop.
9. The method as recited in claim 1, wherein the correlation is based on maintaining an actual daily number of roulette ball revolutions in an annular track of the roulette machine per game cycle near a target daily average of roulette ball revolutions in the annular track per game cycle.
10. The method as recited in claim 1, adjusting a launch speed includes increasing an amount of propulsion force generated by a ball launch assembly of the roulette machine by adjusting a pre-blow time over a predetermined period of time.
11. The method as recited in claim 10, further comprising:
  - monitoring the propulsion force over the predetermined period of time; and
  - generating a maintenance alert if the propulsion force exceeds a threshold.
12. A roulette machine, comprising:
  - a roulette wheel including an outer perimeter;
  - a driving apparatus configured to apply a driving force that spins the roulette wheel at the start of a game cycle;
  - a braking apparatus configured to apply a braking force to the roulette wheel during the game cycle;
  - an annular track encircling but separated from the outer perimeter of the roulette wheel;
  - a ball launch assembly configured to launch a roulette ball into the annular track at a launch point at a launch speed during the game cycle based on an expected inertial value for the roulette ball;

one or more sensors configured to monitor inertial information associated with the roulette ball to determine an actual inertial value for the roulette ball during the game cycle;

a controller configured to determine a correlation between the expected inertial value and the actual inertial value and adjust the launch speed for a next game cycle based on the correlation.

13. The machine as recited in claim 12, wherein the inertial information includes one or more of a number of roulette ball revolutions while the roulette ball is in the annular track or a measured velocity of the roulette ball at the launch point.

14. The machine as recited in claim 12, wherein the expected inertial value is based on an expected number of game cycles to be operated within a specified time period.

15. The machine as recited claim 12, wherein the expected inertial value is based on inertial information associated with roulette balls during prior game cycles.

16. The machine as recited in claim 12, wherein the inertial information is collected from inertial sensors associated with the roulette wheel.

17. The machine as recited in claim 12, wherein the controller is further configured to maintain the correlation based on a feedback loop generated by the inertial information.

18. The machine as recited in claim 12, wherein the correlation is based on maintaining an actual daily number of roulette ball revolutions in an annular track of the roulette machine per game cycle near a target daily average of roulette ball revolutions in the annular track per game cycle.

19. The machine as recited in claim 13, wherein an adjustment to the launch speed includes increasing an amount of propulsion force generated by the ball launch assembly by adjusting a pre-blow time over a predetermined period of time.

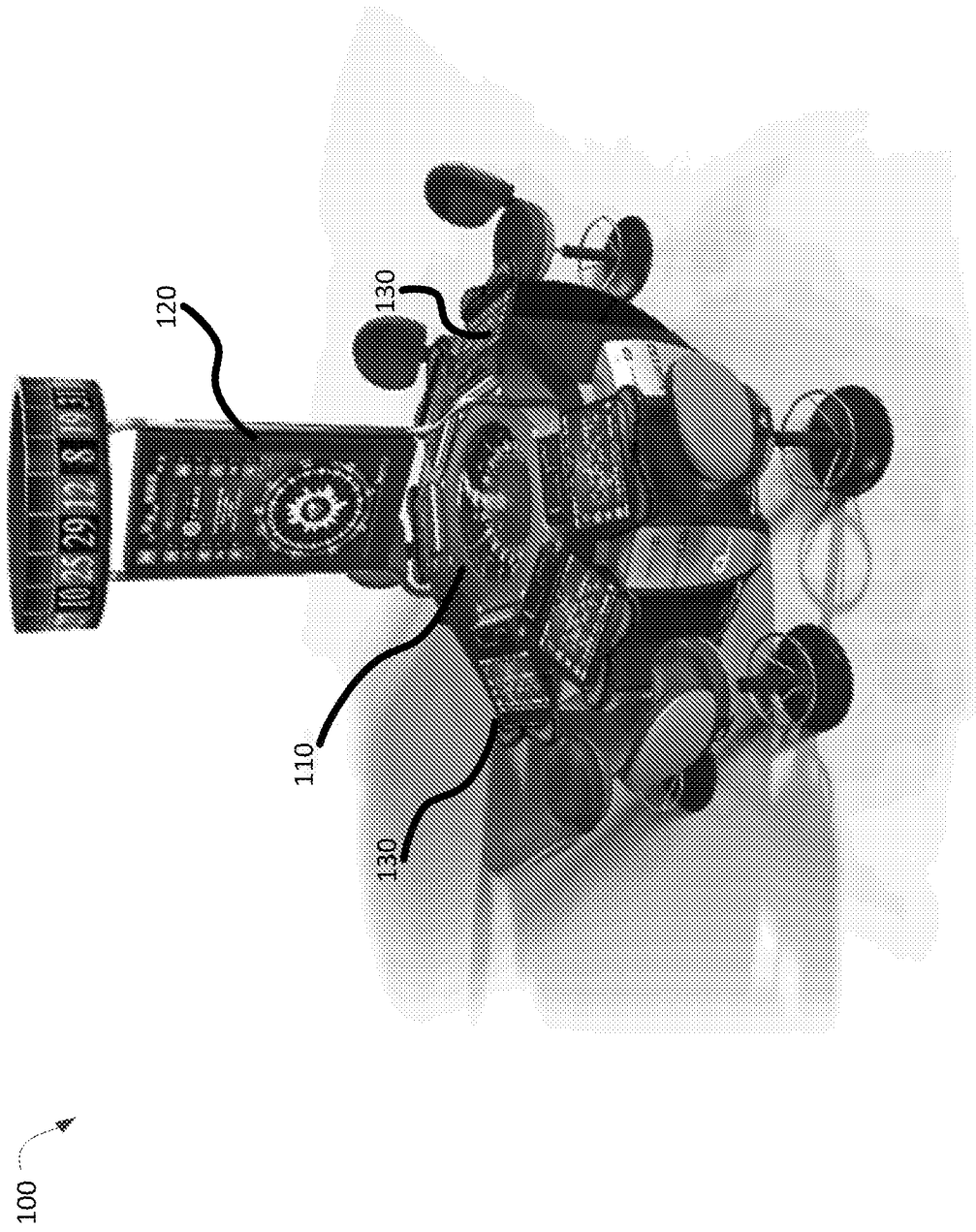


FIG. 1

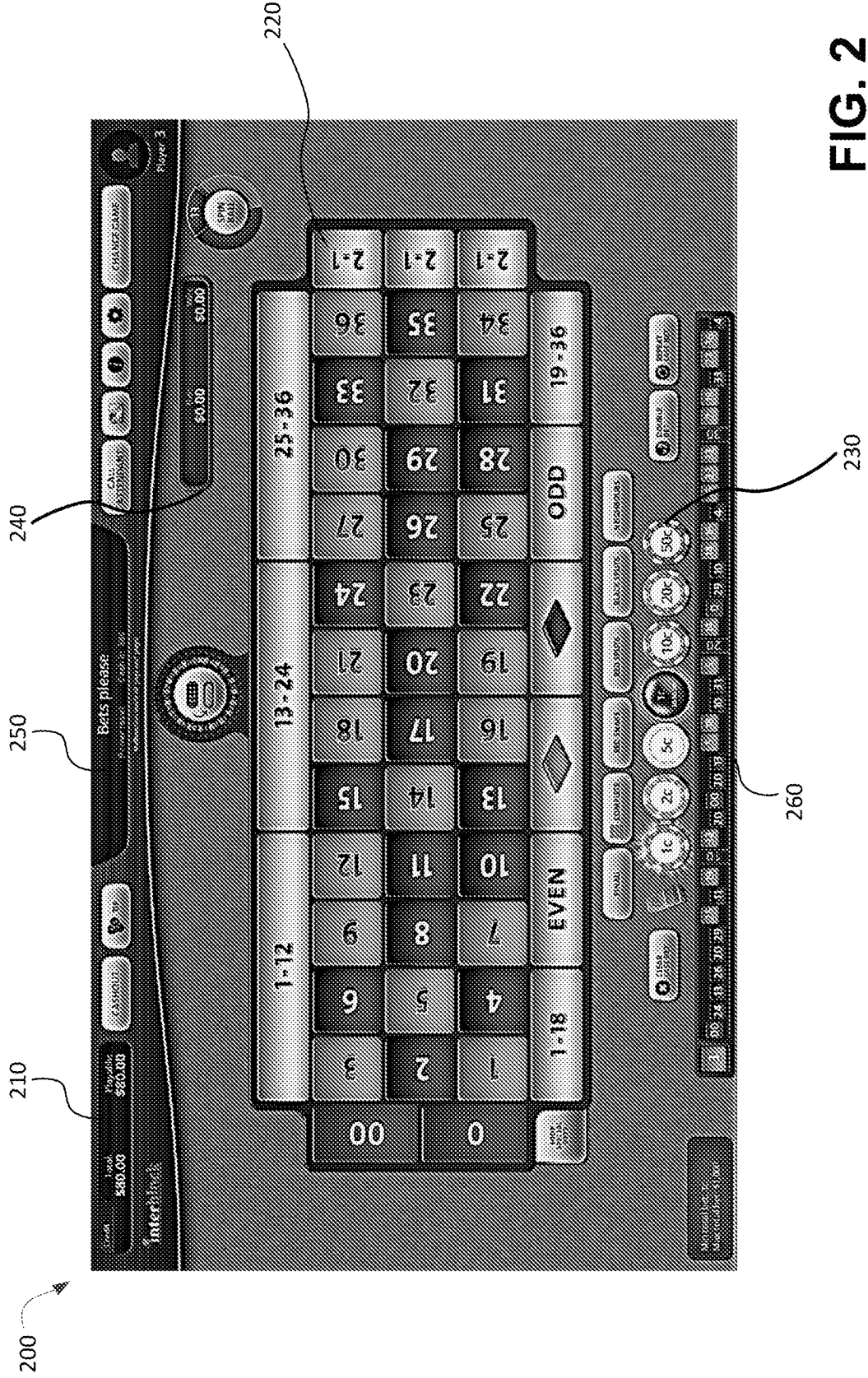
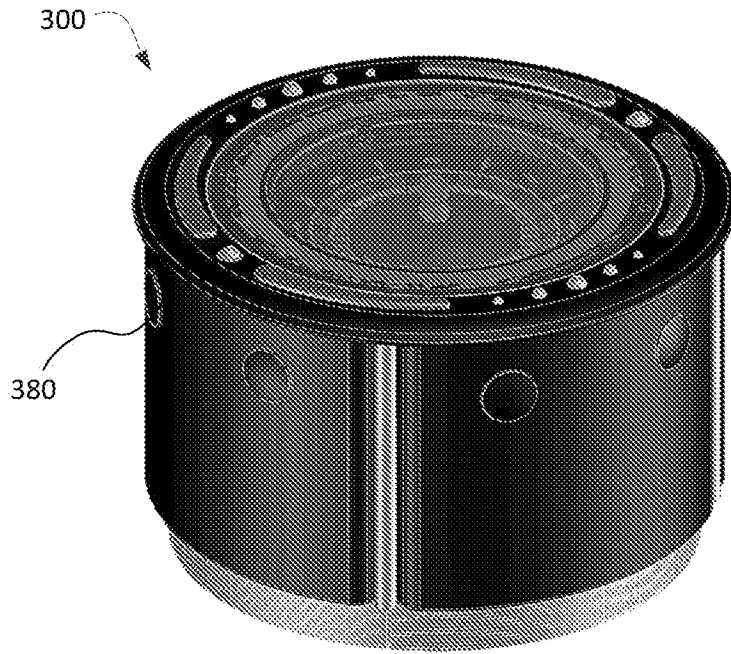
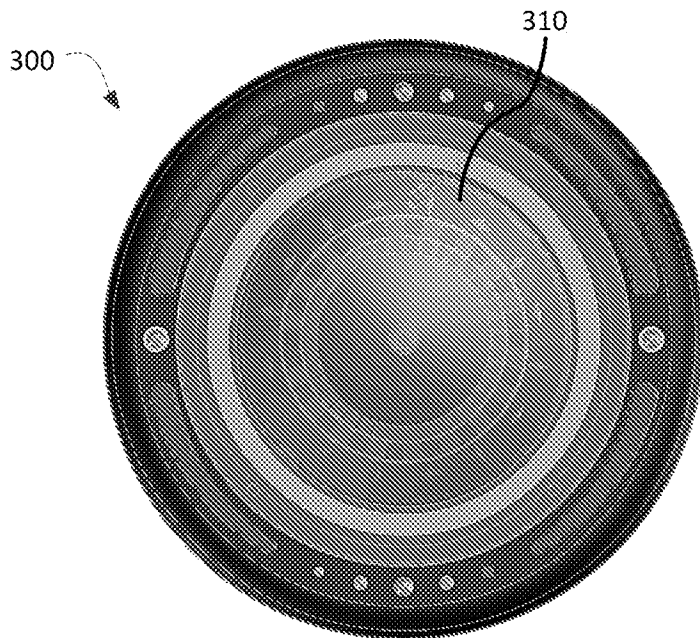


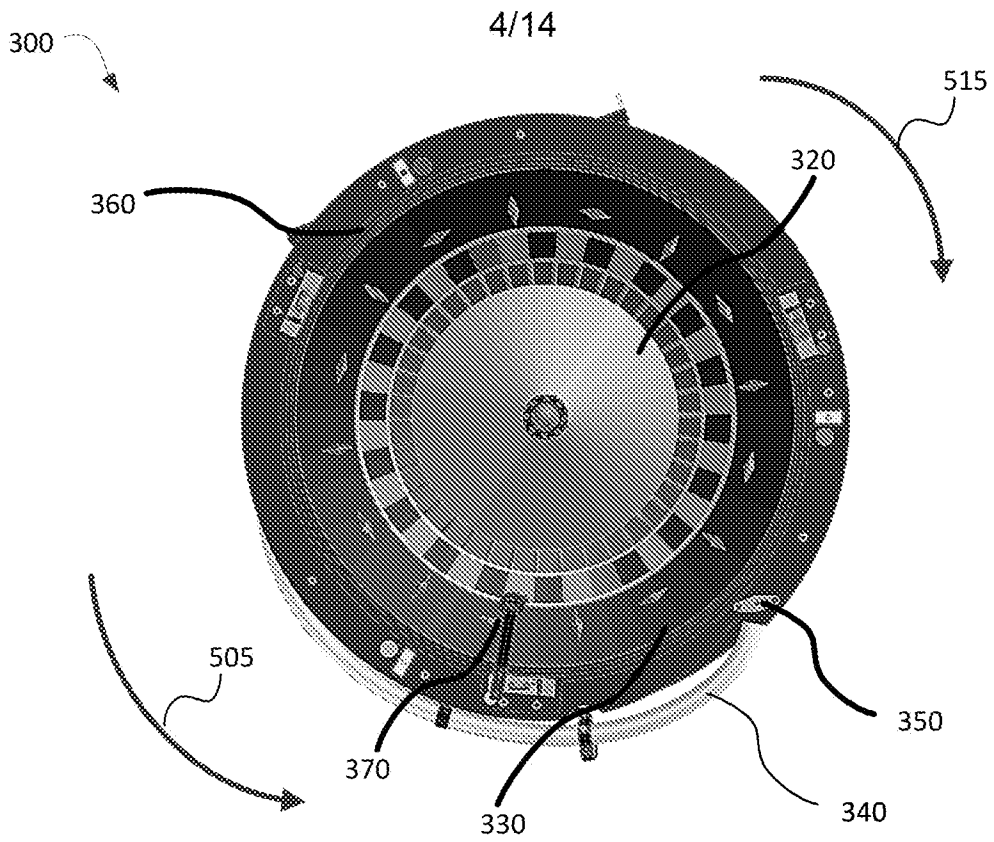
FIG. 2



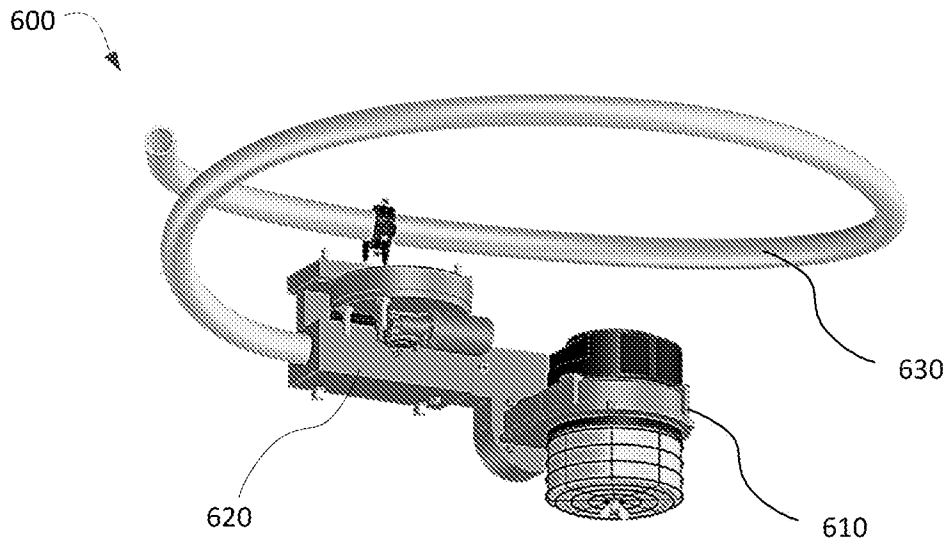
**FIG. 3**



**FIG. 4**



**FIG. 5**



**FIG. 6**

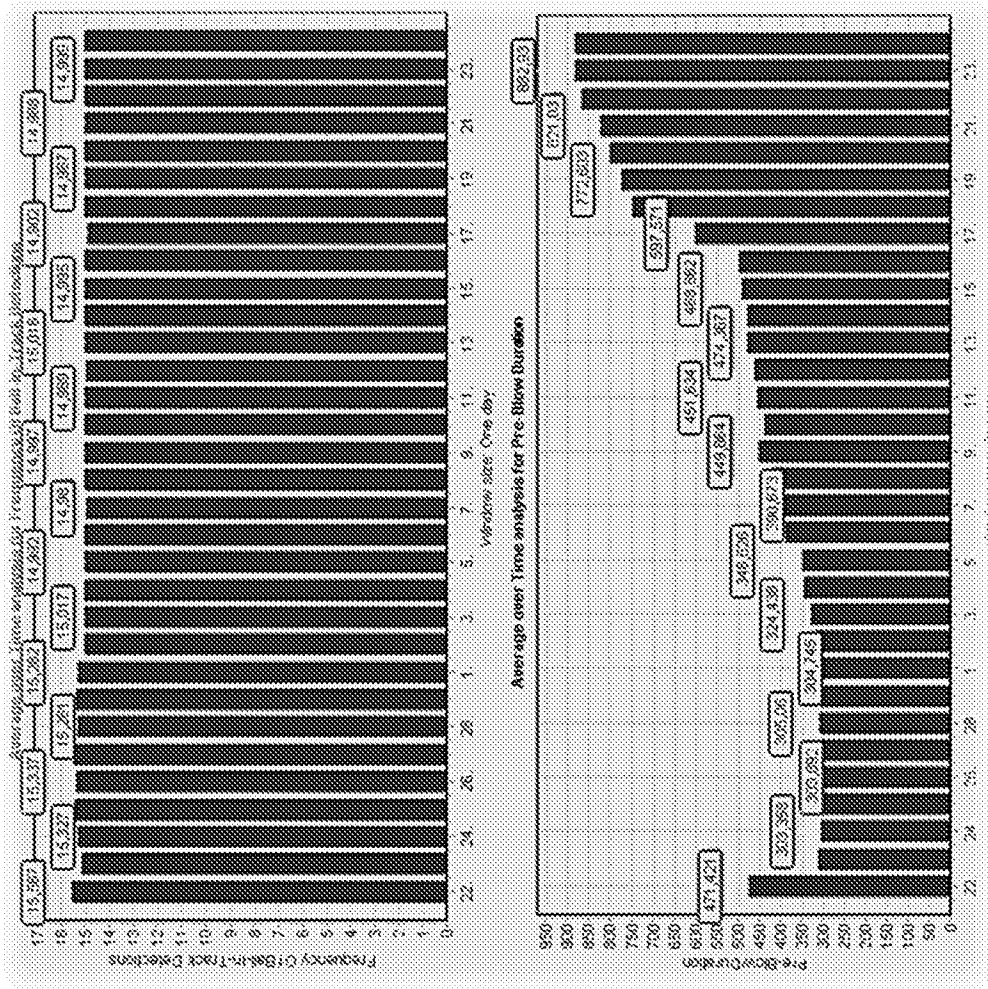


FIG. 7

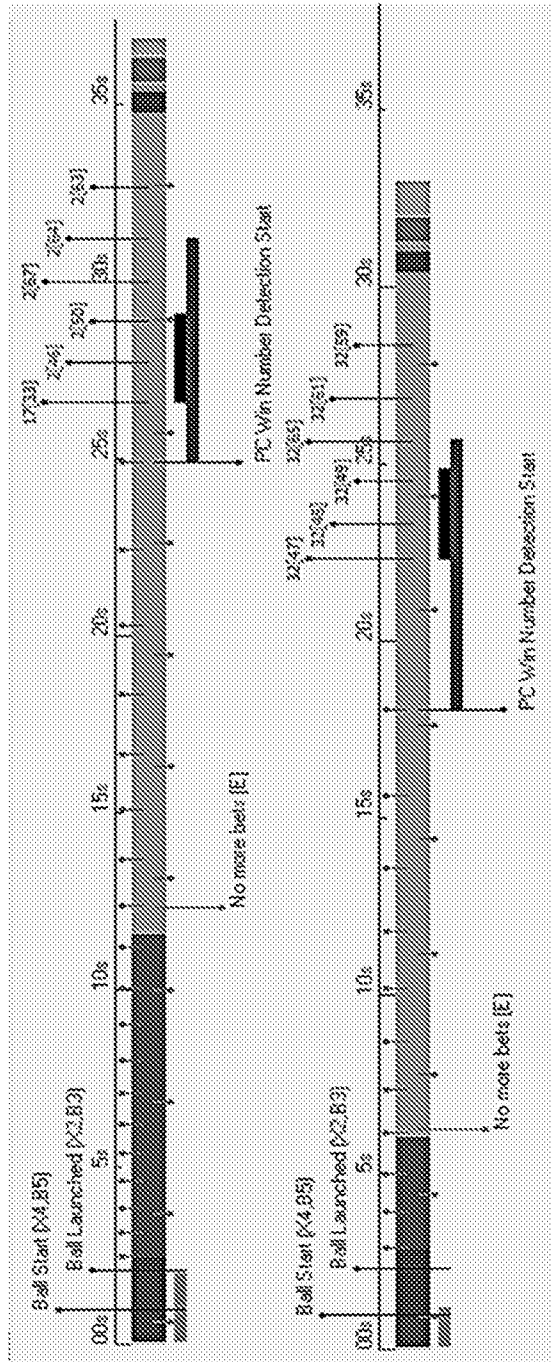


FIG. 8

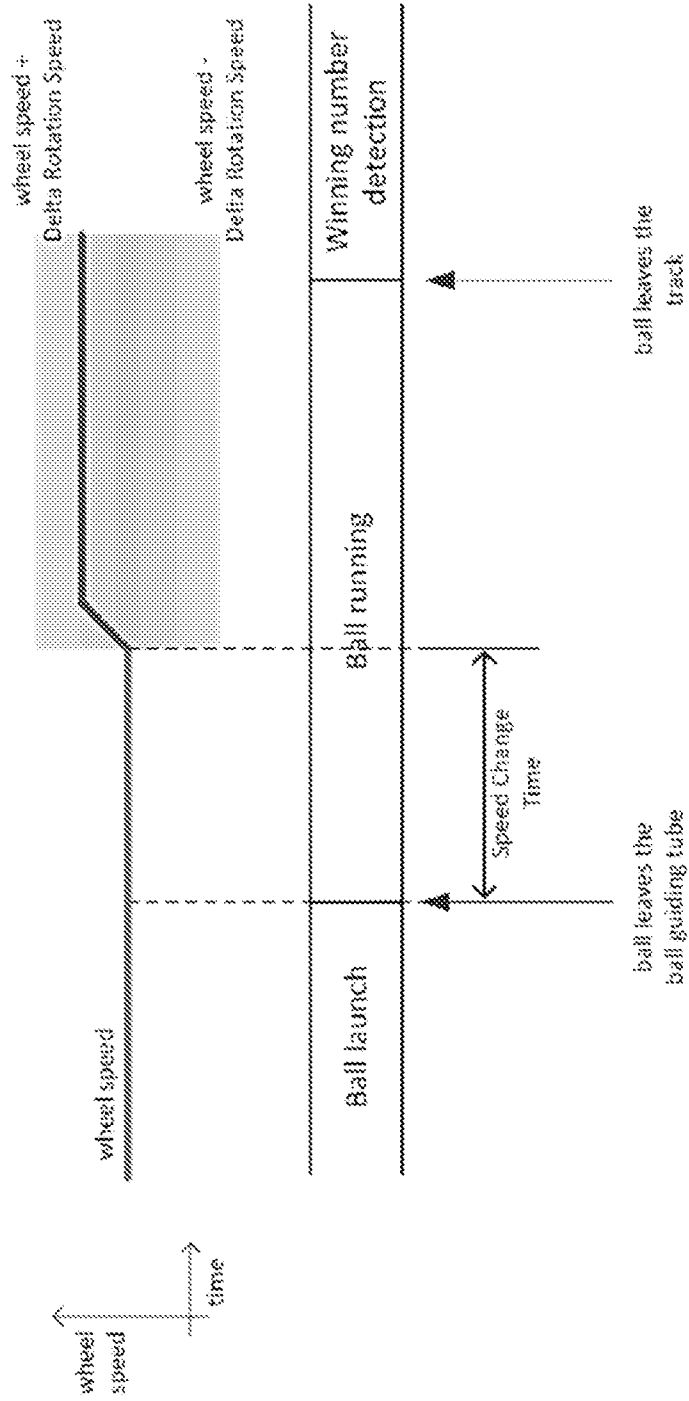


FIG. 9

8/14

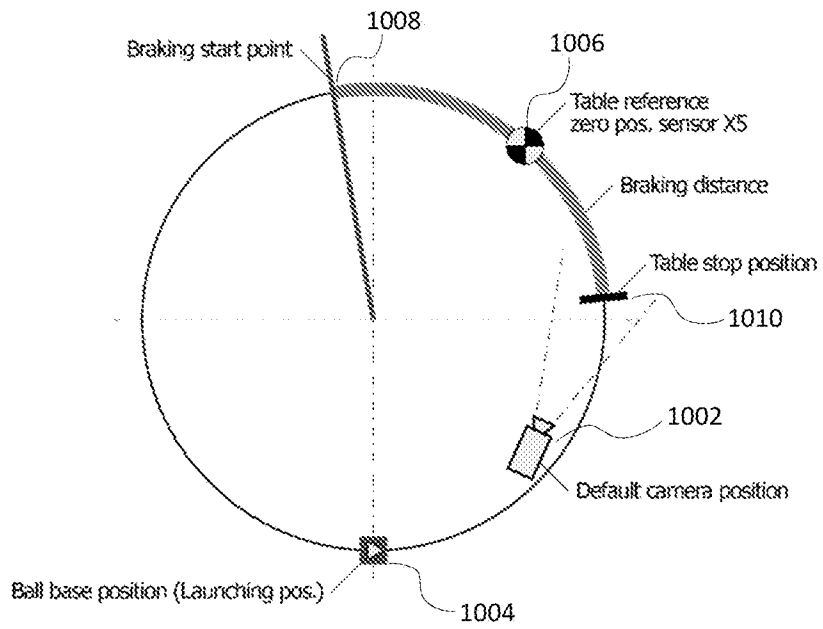


FIG. 10

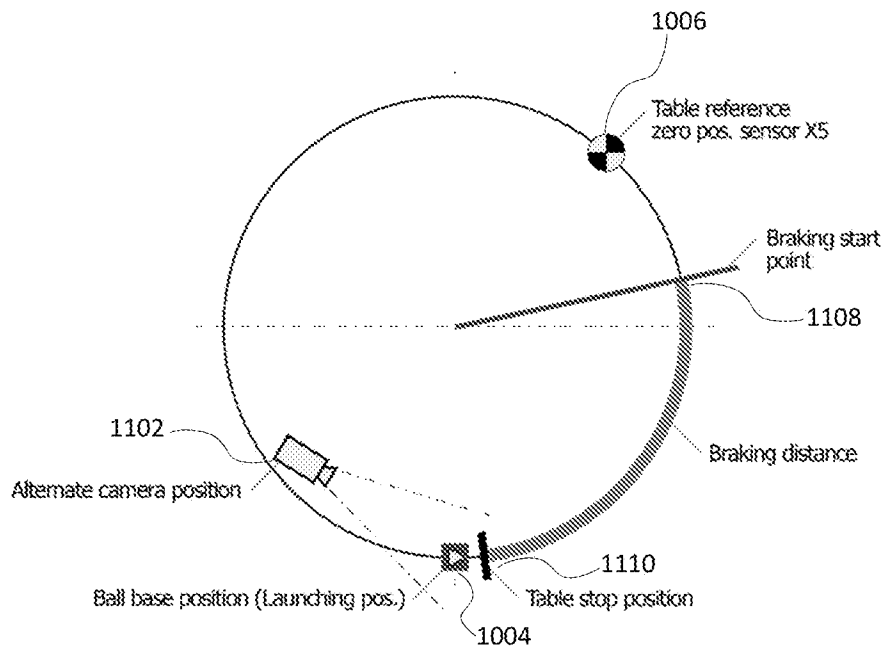
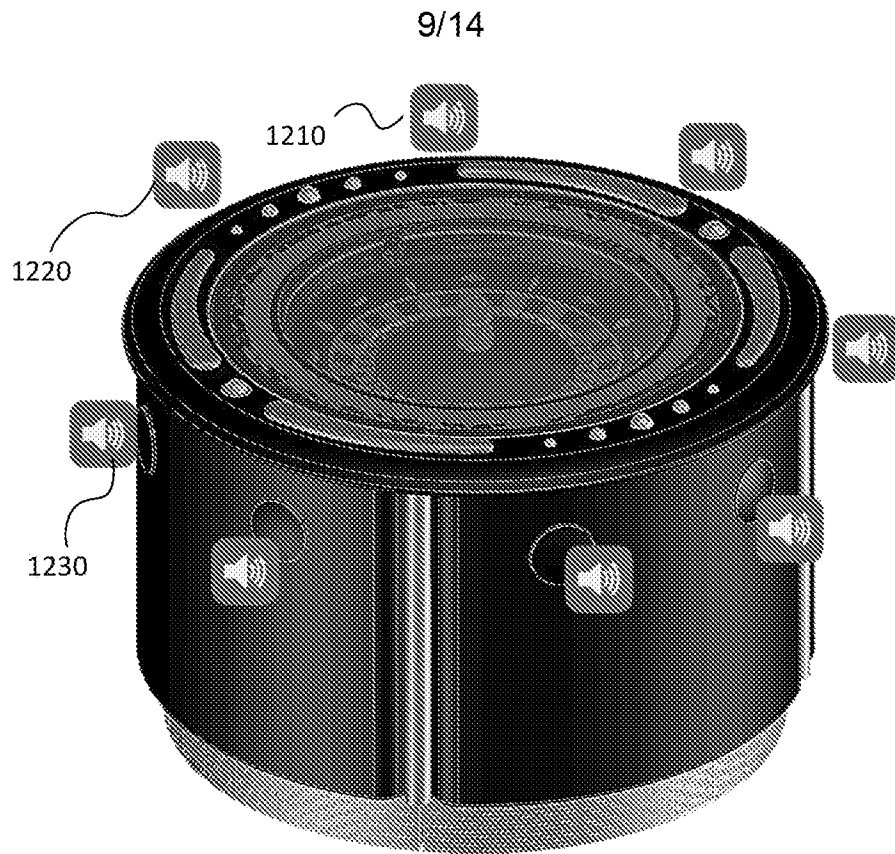
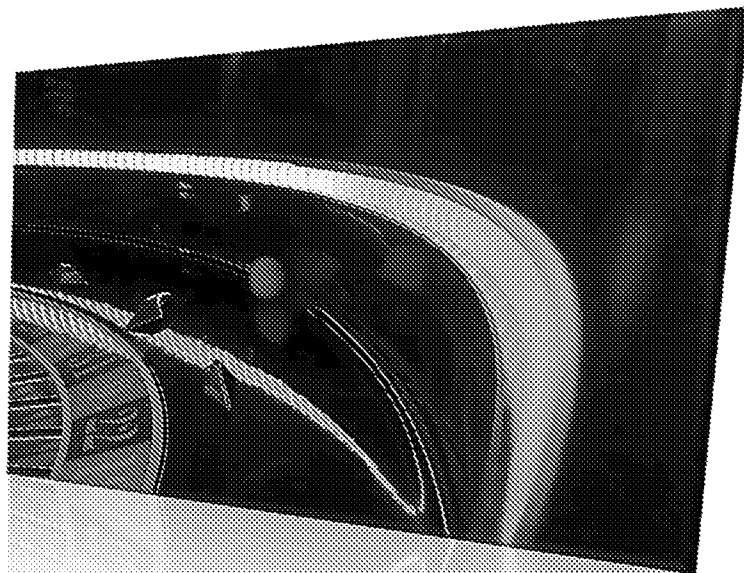


FIG. 11



**FIG. 12**



**FIG. 13**

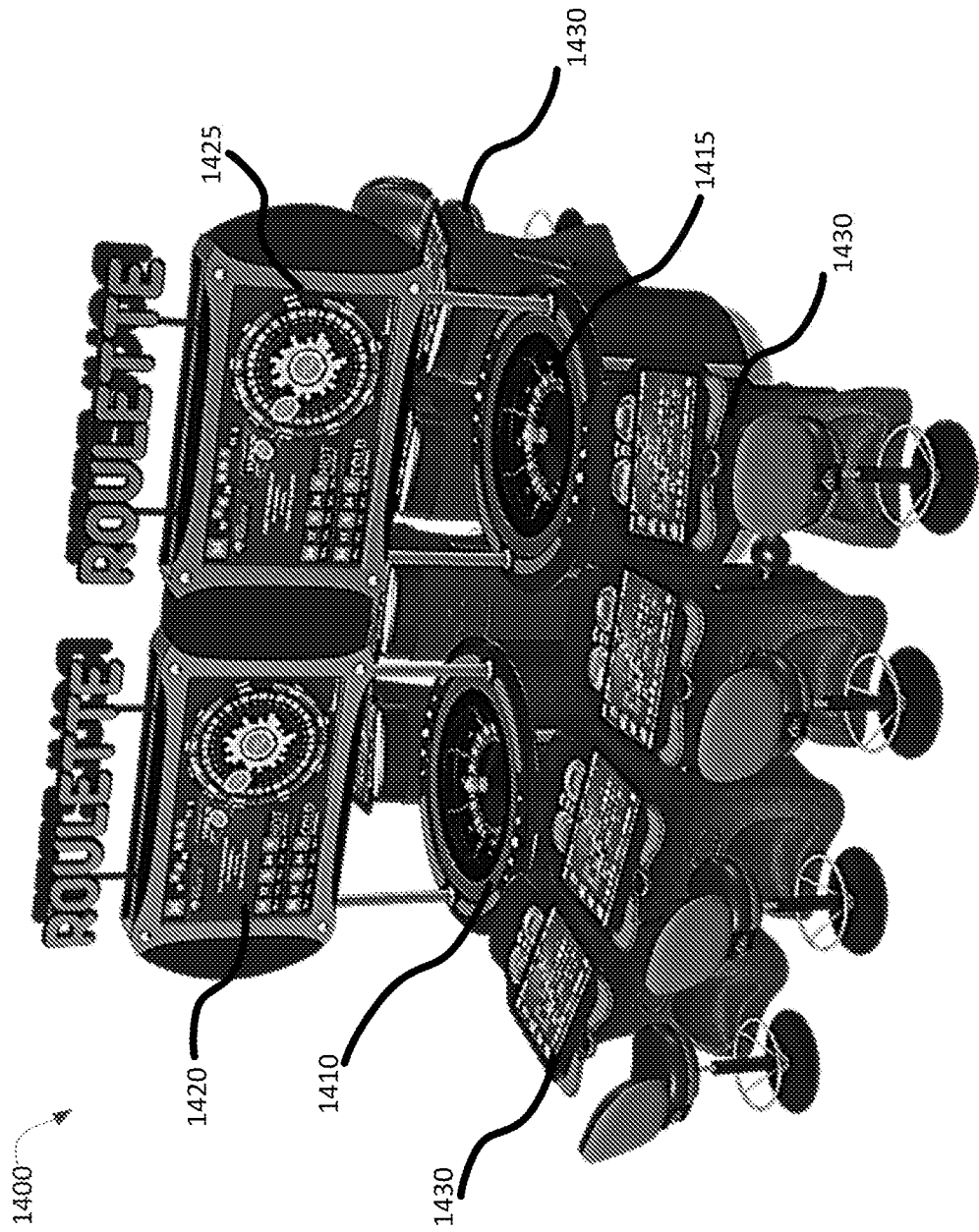


FIG. 14



12/14

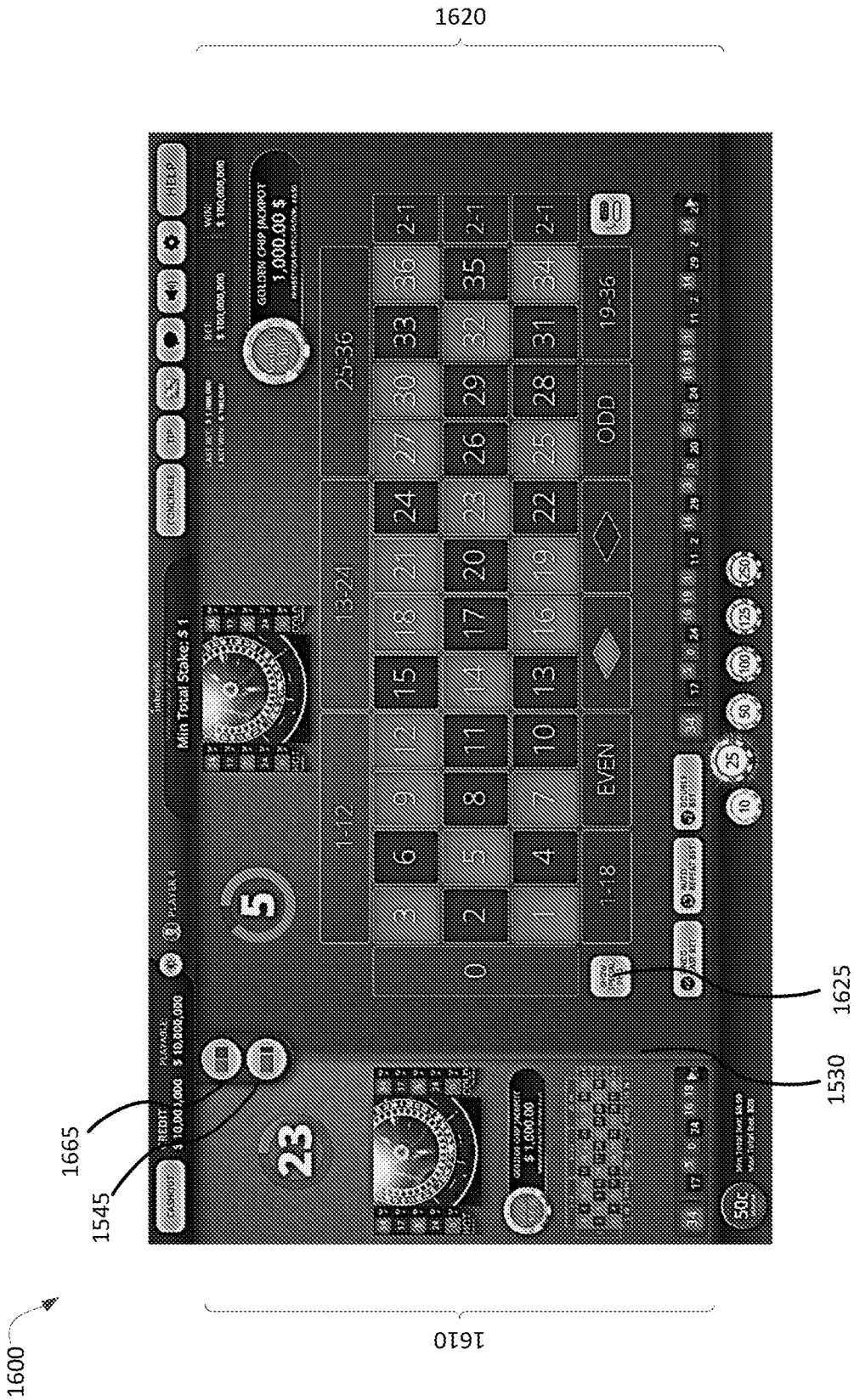


FIG. 16

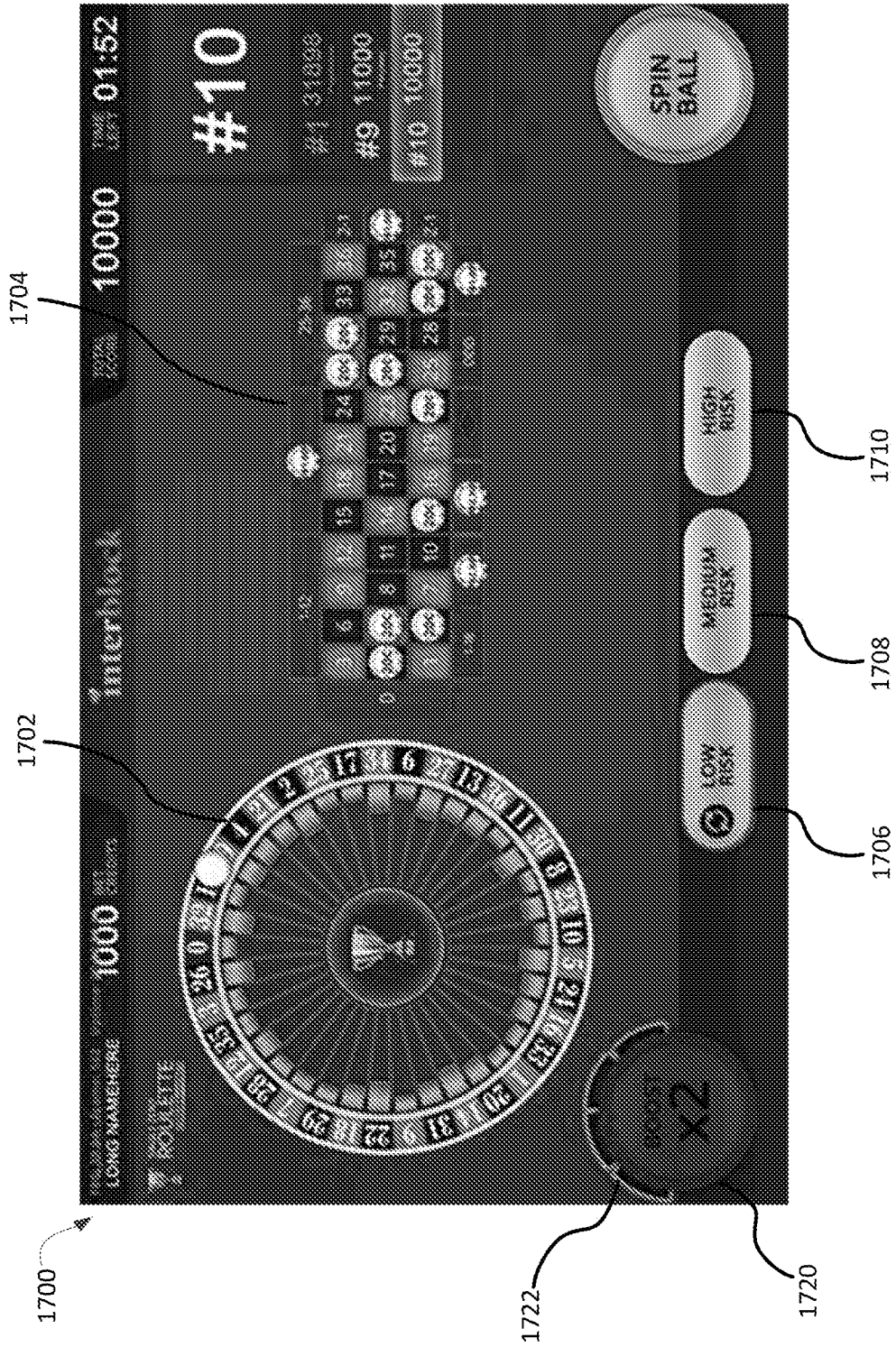
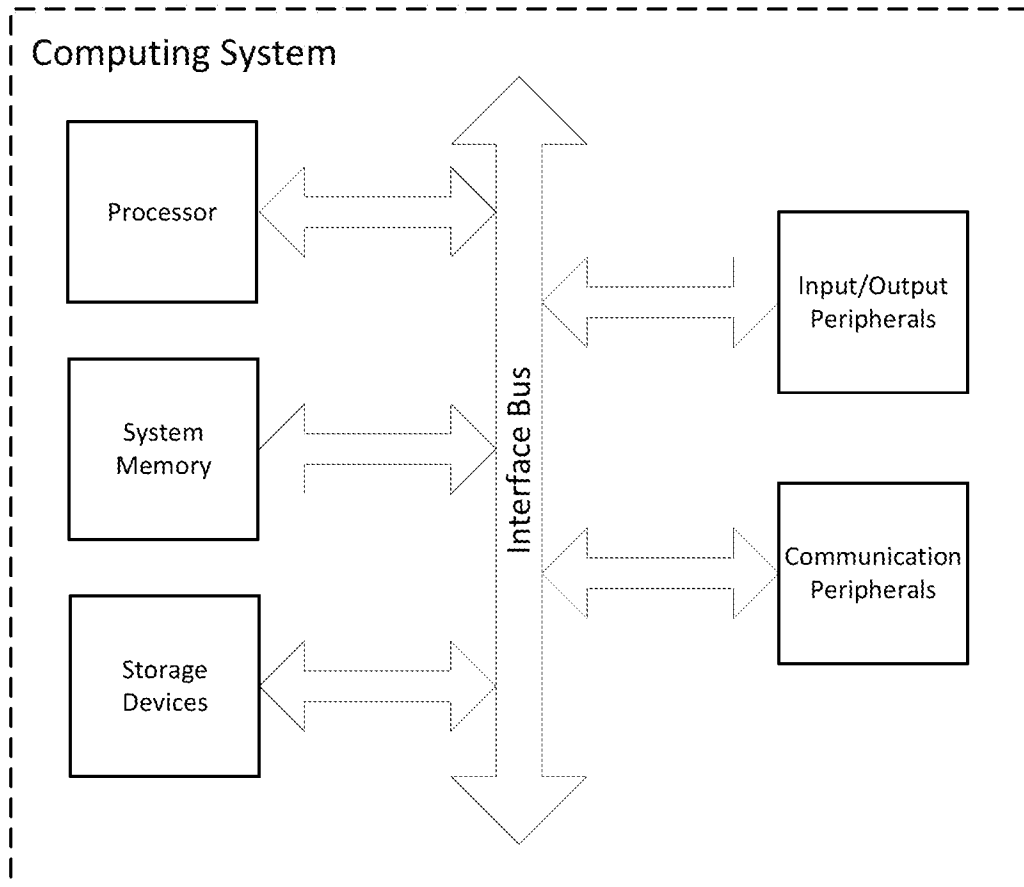


FIG. 17



**FIG. 18**