

(19) World Intellectual Property Organization
International Bureau



(43) International Publication Date
17 April 2008 (17.04.2008)

PCT

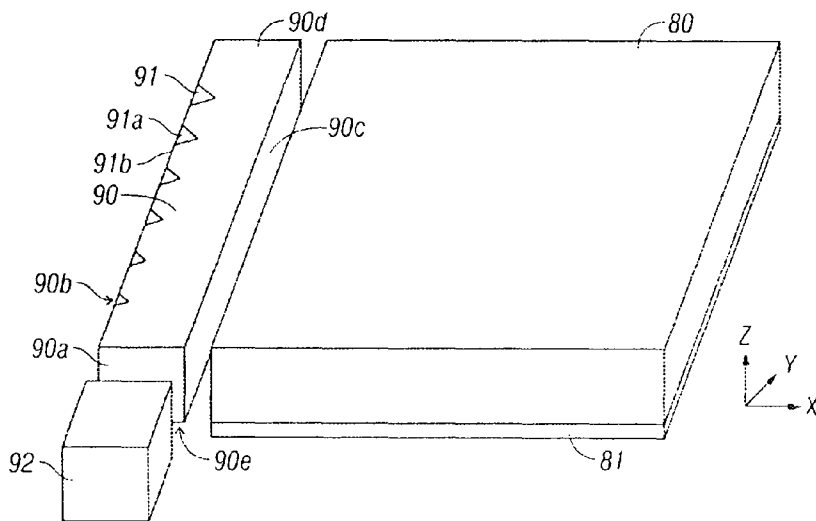
(10) International Publication Number
WO 2008/045364 A3

- (51) International Patent Classification:
G02B 6/00 (2006.01) *F21V 8/00* (2006.01)
- (21) International Application Number:
PCT/US2007/021460
- (22) International Filing Date: 5 October 2007 (05.10.2007)
- (25) Filing Language: English
- (26) Publication Language: English
- (30) Priority Data:
60/850,099 6 October 2006 (06.10.2006) US
- (71) Applicant (for all designated States except US): **QUALCOMM MEMS TECHNOLOGIES, INC.** [US/US];
5775 Morehouse Drive, San Diego, CA 92121 (US).
- (72) Inventors; and
- (75) Inventors/Applicants (for US only): **HOLMAN, Robert, L.** [US/US]; 1038 Sheridan Road, Evanston, IL 60202 (US). **SAMPSELL, Matt** [US/US]; 222 North Columbus Drive, #1419, Chicago, IL 60601 (US). **GRUHLKE, Russell, Wayne** [US/US]; 1820 View Drive, Milpitas, CA 95035 (US). **MIENKO, Marek** [US/US]; 185 Estancia Drive, #316, San Jose, CA 95134 (US). **XU, Gang**

- [US/US]; 10092 Amador Oak Court, Cupertino, CA 95014 (US). **BITA, Ion** [RO/US]; 65 Rio Robles East, Apt. 1204, San Jose, CA 95134 (US).
- (74) Agent: **ABUMERI, Mark, M.**; Knobbe Martens Olson & Bear, LLP, 2040 Main Street, Fourteenth Floor, Irvine, CA 92614 (US).
- (81) Designated States (unless otherwise indicated, for every kind of national protection available): AE, AG, AL, AM, AT, AU, AZ, BA, BB, BG, BH, BR, BW, BY, BZ, CA, CH, CN, CO, CR, CU, CZ, DE, DK, DM, DO, DZ, EC, EE, EG, ES, FI, GB, GD, GE, GH, GM, GT, HN, HR, HU, ID, IL, IN, IS, JP, KE, KG, KM, KN, KP, KR, KZ, LA, LC, LK, LR, LS, LT, LU, LY, MA, MD, ME, MG, MK, MN, MW, MX, MY, MZ, NA, NG, NI, NO, NZ, OM, PG, PH, PL, PT, RO, RS, RU, SC, SD, SE, SG, SK, SL, SM, SV, SY, TJ, TM, TN, TR, TT, TZ, UA, UG, US, UZ, VC, VN, ZA, ZM, ZW.
- (84) Designated States (unless otherwise indicated, for every kind of regional protection available): ARIPO (BW, GH, GM, KE, LS, MW, MZ, NA, SD, SL, SZ, TZ, UG, ZM, ZW), Eurasian (AM, AZ, BY, KG, KZ, MD, RU, TJ, TM), European (AT, BE, BG, CH, CY, CZ, DE, DK, EE, ES, FI, FR, GB, GR, HU, IE, IS, IT, LT, LU, LV, MC, MT, NL, PL,

[Continued on next page]

(54) Title: ILLUMINATION ASSEMBLIES COMPRISING LIGHT BARS



(57) Abstract: An illumination apparatus includes a light bar, turning microstructure disposed on a first side of the light bar, and a light guide panel disposed with respect to a second opposite side of the light bar. The light bar has a first end for receiving light from a light source. The light bar includes material that supports propagation of the light along the length of the light bar. The turning microstructure is configured to turn at least a substantial portion of the light incident on the first side and to direct the portion of light out the second opposite side of the light bar. A parameter of the turning microstructure changes with distance from the first end of the light bar. The light bar has a turning efficiency that determines the amount of light turned out of the light bar compared to the amount of light that continues to be guided within the light bar. The turning efficiency increases with distance from the first end of the light bar. The light guide panel is configured to receive light turned by the turning microstructure and directed out of the second opposite side of the light bar.

WO 2008/045364 A3



PT, RO, SE, SI, SK, TR), OAPI (BF, BJ, CF, CG, CI, CM,
GA, GN, GQ, GW, ML, MR, NE, SN, TD, TG).

— *before the expiration of the time limit for amending the
claims and to be republished in the event of receipt of
amendments*

Published:

— *with international search report*

(88) Date of publication of the international search report:

3 July 2008

INTERNATIONAL SEARCH REPORT

International application No
PCT/US2007/021460

A. CLASSIFICATION OF SUBJECT MATTER
 INV. G02B6/00 F21V8/00

According to International Patent Classification (IPC) or to both national classification and IPC

B. FIELDS SEARCHED

Minimum documentation searched (classification system followed by classification symbols)
 G02B F21V

Documentation searched other than minimum documentation to the extent that such documents are included in the fields searched

Electronic data base consulted during the international search (name of data base and, where practical, search terms used)
 EPO-Internal, WPI Data

C. DOCUMENTS CONSIDERED TO BE RELEVANT

Category*	Citation of document, with indication, where appropriate, of the relevant passages	Relevant to claim No.
X	US 2004/085748 A1 (SUGIURA TAKURO [JP]) 6 May 2004 (2004-05-06)	1-3, 6-10, 12-18, 21-29, 32-38, 40-45, 47, 50-61
Y	the whole document	11, 39
X	EP 1 531 302 A (FUJITSU LTD [JP]) 18 May 2005 (2005-05-18)	1, 2, 4, 5, 8-10, 12-14, 19-28, 30, 31, 34-38, 40-42, 46, 48-61
	paragraphs [0020] - [0091]; figures 1-9 ----- -/--	

Further documents are listed in the continuation of Box C. See patent family annex.

* Special categories of cited documents :

<p>"A" document defining the general state of the art which is not considered to be of particular relevance</p> <p>"E" earlier document but published on or after the international filing date</p> <p>"L" document which may throw doubts on priority claim(s) or which is cited to establish the publication date of another citation or other special reason (as specified)</p> <p>"O" document referring to an oral disclosure, use, exhibition or other means</p> <p>"P" document published prior to the international filing date but later than the priority date claimed</p>	<p>"T" later document published after the international filing date or priority date and not in conflict with the application but cited to understand the principle or theory underlying the invention</p> <p>"X" document of particular relevance; the claimed invention cannot be considered novel or cannot be considered to involve an inventive step when the document is taken alone</p> <p>"Y" document of particular relevance; the claimed invention cannot be considered to involve an inventive step when the document is combined with one or more other such documents, such combination being obvious to a person skilled in the art.</p> <p>"&" document member of the same patent family</p>
--	--

Date of the actual completion of the international search	Date of mailing of the international search report
30 April 2008	14/05/2008

Name and mailing address of the ISA/ European Patent Office, P.B. 5818 Patentlaan 2 NL - 2280 HV Rijswijk Tel. (+31-70) 340-2040, Tx. 31 651 epo nl, Fax: (+31-70) 340-3016	Authorized officer Wolf, Steffen
---	---

INTERNATIONAL SEARCH REPORT

International application No
PCT/US2007/021460

C(Continuation). DOCUMENTS CONSIDERED TO BE RELEVANT

Category*	Citation of document, with indication, where appropriate, of the relevant passages	Relevant to claim No.
X	US 2002/006036 A1 (EGAWA MOTOJI [JP] ET AL) 17 January 2002 (2002-01-17) the whole document -----	1-3, 8-10, 12-29, 34-38, 40-42, 44-61
Y	US 2006/066783 A1 (SAMPSELL JEFFREY B [US]) 30 March 2006 (2006-03-30) the whole document -----	11, 39
A	DE 199 42 513 A1 (KARL GERHARD [DE]) 8 March 2001 (2001-03-08) claim 10; figure 1 -----	36
A	JP 2003 173713 A (ROHM CO LTD) 20 June 2003 (2003-06-20) abstract; figures 1,2 -----	9, 37

INTERNATIONAL SEARCH REPORT

Information on patent family members

International application No PCT/US2007/021460

Patent document cited in search report	Publication date	Patent family member(s)	Publication date
US 2004085748	A1	CN 1497307 A JP 2004139785 A	19-05-2004 13-05-2004
EP 1531302	A	AU 2003211655 A1 CA 2489993 A1 CN 1671991 A WO 2004018933 A1 JP 2006024368 A KR 20070112216 A TW 226491 B US 2005117324 A1	11-03-2004 04-03-2004 21-09-2005 04-03-2004 26-01-2006 22-11-2007 11-01-2005 02-06-2005
US 2002006036	A1	JP 3700078 B2 JP 2002025322 A	28-09-2005 25-01-2002
US 2006066783	A1	AU 2005290101 A1 CA 2576177 A1 EP 1794646 A1 KR 20070056108 A WO 2006036415 A1	06-04-2006 06-04-2006 13-06-2007 31-05-2007 06-04-2006
DE 19942513	A1	EP 1083383 A1	14-03-2001
JP 2003173713	A	NONE	