



- (51) International Patent Classification:
G02B 6/38 (2006.01) *G02B 6/42* (2006.01)
- (21) International Application Number:
PCT/US2012/042432
- (22) International Filing Date:
14 June 2012 (14.06.2012)
- (25) Filing Language: English
- (26) Publication Language: English
- (30) Priority Data:
61/496,715 14 June 2011 (14.06.2011) US
- (71) Applicant (for all designated States except US): **MOLEX INCORPORATED** [US/US]; 2222 Wellington Court, Lisle, Illinois 60532 (US).
- (72) Inventors; and
- (75) Inventors/Applicants (for US only): **HODGE, Malcolm H.** [US/US]; Molex Incorporated, 2222 Wellington Court, Lisle, Illinois 60532 (US). **CHEN, WenZong** [US/US]; Molex Incorporated, 2222 Wellington Court, Lisle, Illinois 60532 (US). **RICHARDSON, Dean** [US/US]; Molex Incorporated, 2222 Wellington Court, Lisle, Illinois 60532 (US). **ERNST, Scot A.** [US/US]; Molex Incorporated,

2222 Wellington Court, Lisle, Illinois 60532 (US). **SCHILTZ, Thomas D.** [US/US]; Molex Incorporated, 2222 Wellington Court, Lisle, Illinois 60532 (US). **MARRAPODE, Thomas R.** [US/US]; Molex Incorporated, 2222 Wellington Court, Lisle, Illinois 60532 (US).

(74) Agent: **MORELLA, Timothy M.**; Molex Incorporated, 2222 Wellington Court, Lisle, Illinois 60532 (US).

(81) Designated States (unless otherwise indicated, for every kind of national protection available): AE, AG, AL, AM, AO, AT, AU, AZ, BA, BB, BG, BH, BR, BW, BY, BZ, CA, CH, CL, CN, CO, CR, CU, CZ, DE, DK, DM, DO, DZ, EC, EE, EG, ES, FI, GB, GD, GE, GH, GM, GT, HN, HR, HU, ID, IL, IN, IS, JP, KE, KG, KM, KN, KP, KR, KZ, LA, LC, LK, LR, LS, LT, LU, LY, MA, MD, ME, MG, MK, MN, MW, MX, MY, MZ, NA, NG, NI, NO, NZ, OM, PE, PG, PH, PL, PT, QA, RO, RS, RU, RW, SC, SD, SE, SG, SK, SL, SM, ST, SV, SY, TH, TJ, TM, TN, TR, TT, TZ, UA, UG, US, UZ, VC, VN, ZA, ZM, ZW.

(84) Designated States (unless otherwise indicated, for every kind of regional protection available): ARIPO (BW, GH, GM, KE, LR, LS, MW, MZ, NA, RW, SD, SL, SZ, TZ, UG, ZM, ZW), Eurasian (AM, AZ, BY, KG, KZ, RU, TJ, TM), European (AL, AT, BE, BG, CH, CY, CZ, DE, DK,

[Continued on next page]

(54) Title: LENSED FERRULE ASSEMBLY WITH THERMAL EXPANSION COMPENSATION

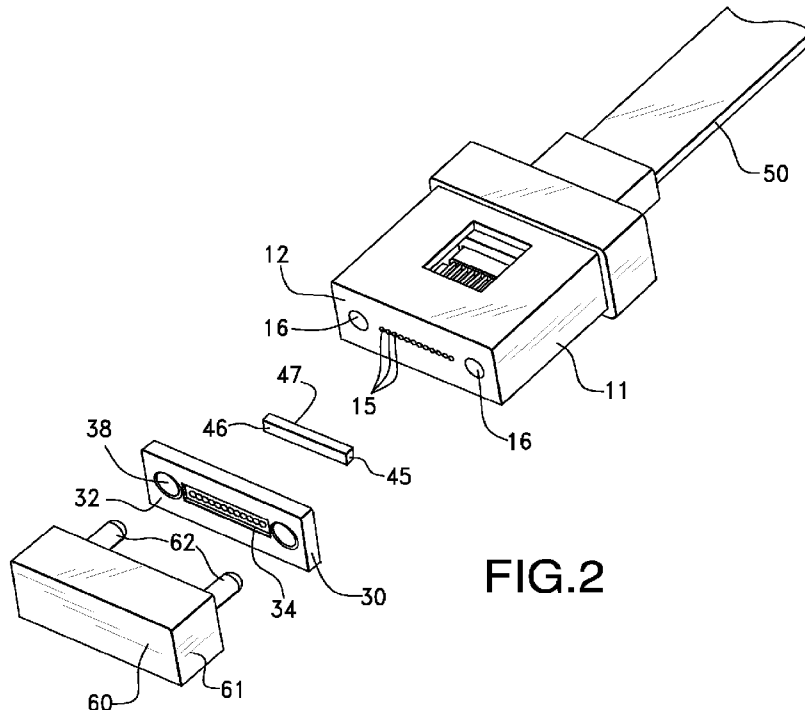


FIG. 2

(57) Abstract: An optical fiber assembly includes a ferrule body with a plurality of optical fibers. An end face of each optical fiber extends past the front face of the ferrule body. A beam expanding element is generally adjacent the front face of the ferrule body and has a lens array aligned with the optical fibers. An index matched resilient medium engages the rearwardly facing surface of the beam expanding element and the end faces of the optical fibers.





EE, ES, FI, FR, GB, GR, HR, HU, IE, IS, IT, LT, LU,
LV, MC, MK, MT, NL, NO, PL, PT, RO, RS, SE, SI, SK,
SM, TR), OAPI (BF, BJ, CF, CG, CI, CM, GA, GN, GQ,
GW, ML, MR, NE, SN, TD, TG).

— *before the expiration of the time limit for amending the
claims and to be republished in the event of receipt of
amendments (Rule 48.2(h))*

Published:

— *with international search report (Art. 21(3))*

(88) Date of publication of the international search report:

25 April 2013

A. CLASSIFICATION OF SUBJECT MATTER**G02B 6/38(2006.01)i, G02B 6/42(2006.01)i**

According to International Patent Classification (IPC) or to both national classification and IPC

B. FIELDS SEARCHED

Minimum documentation searched (classification system followed by classification symbols)

G02B 6/38; G02B 1100; G02B 632; G02B 6/32; G02B 6/24; B23P 19/02; G02B 6/36

Documentation searched other than minimum documentation to the extent that such documents are included in the fields searched

Korean utility models and applications for utility models

Japanese utility models and applications for utility models

Electronic data base consulted during the international search (name of data base and, where practicable, search terms used)

eKOMPASS(KIPO internal) & keywords: ferrule, optical fiber, lens, resilient, refract

C. DOCUMENTS CONSIDERED TO BE RELEVANT

Category*	Citation of document, with indication, where appropriate, of the relevant passages	Relevant to claim No.
Y	US 7399125 B1 (WHALEY et al.) 15 July 2008 See column 3, lines 32-63, column 5, lines 25-36, claim 1 and figures 1, 8, 13.	1-20
Y	US 2010-0310214 A1 (MIYADERA et al.) 09 December 2010 See paragraphs [0073]-[0121], claims 1, 4-6 and figure 26.	1-20
A	US 6847491 B1 (JIAN et al.) 25 January 2005 See column 4, lines 24-67 and figure 2.	1-20
A	JP 2007-163969 A (SONY CORPORATION) 28 June 2007 See abstract, paragraphs [0026], [0078], claims 1, 4 and figure 1.	1-20
A	US 6899464 B2 (STEVENS et al.) 31 May 2005 See column 2, lines 19-63, column 3, lines 6-10, claims 1-2, 9 and figures 1-2.	1-20

 Further documents are listed in the continuation of Box C. See patent family annex.

* Special categories of cited documents:

"A" document defining the general state of the art which is not considered to be of particular relevance

"E" earlier application or patent but published on or after the international filing date

"L" document which may throw doubts on priority claim(s) or which is cited to establish the publication date of citation or other special reason (as specified)

"O" document referring to an oral disclosure, use, exhibition or other means

"P" document published prior to the international filing date but later than the priority date claimed

"T" later document published after the international filing date or priority date and not in conflict with the application but cited to understand the principle or theory underlying the invention

"X" document of particular relevance; the claimed invention cannot be considered novel or cannot be considered to involve an inventive step when the document is taken alone

"Y" document of particular relevance; the claimed invention cannot be considered to involve an inventive step when the document is combined with one or more other such documents, such combination being obvious to a person skilled in the art

"&" document member of the same patent family

Date of the actual completion of the international search

25 FEBRUARY 2013 (25.02.2013)

Date of mailing of the international search report

26 FEBRUARY 2013 (26.02.2013)

Name and mailing address of the ISA/KR



Facsimile No. 82-42-472-7140

Authorized officer

KANG, Sung Chul

Telephone No. 82-42-481-8405



INTERNATIONAL SEARCH REPORT

Information on patent family members

International application No.

PCT/US2012/042432

Patent document cited in search report	Publication date	Patent family member(s)	Publication date
US 7399125 B1	15.07.2008	None	
US 2010-0310214 A1	09.12.2010	CN 101861538 A EP 2219057 A1 JP 2009-122451 A KR 10-2010-0090699 A WO 2009-063649 A1	13.10.2010 18.08.2010 04.06.2009 16.08.2010 22.05.2009
US 6847491 B1	25.01.2005	None	
JP 2007-163969 A	28.06.2007	None	
US 6899464 B2	31.05.2005	US 2004-081405 A1	29.04.2004