

(19) World Intellectual Property
Organization
International Bureau



(43) International Publication Date
22 April 2004 (22.04.2004)

PCT

(10) International Publication Number
WO 2004/032596 A3

(51) International Patent Classification⁷: A61B 18/04

(21) International Application Number:
PCT/US2003/032084

(22) International Filing Date: 8 October 2003 (08.10.2003)

(25) Filing Language: English

(26) Publication Language: English

(30) Priority Data:
10/266,497 8 October 2002 (08.10.2002) US

(71) Applicant (for all designated States except US): THE TRUSTEES OF COLUMBIA UNIVERSITY IN THE CITY OF NEW YORK [US/US]; 535 West 116th Street, New York, NY 10027 (US).

(72) Inventor; and

(75) Inventor/Applicant (for US only): TREAT, Michael, R. [US/US]; 792 Columbus Avenue, Apartment 4E, New York, NY 10025 (US).

(74) Agent: DIPPERT, William, H.; Reed Smith LLP, 599 Lexington Avenue, 29th Floor, New York, NY 10022 (US).

(81) Designated States (national): AE, AG, AL, AM, AT, AU, AZ, BA, BB, BG, BR, BY, BZ, CA, CH, CN, CO, CR, CU,

CZ, DE, DK, DM, DZ, EC, EE, ES, FI, GB, GD, GE, GH, GM, HR, HU, ID, IL, IN, IS, JP, KE, KG, KP, KR, KZ, LC, LK, LR, LS, LT, LU, LV, MA, MD, MG, MK, MN, MW, MX, MZ, NO, NZ, OM, PH, PL, PT, RO, RU, SD, SE, SG, SK, SL, TJ, TM, TN, TR, TT, TZ, UA, UG, US, UZ, VN, YU, ZA, ZM, ZW.

(84) Designated States (regional): ARIPO patent (GH, GM, KE, LS, MW, MZ, SD, SL, SZ, TZ, UG, ZM, ZW), Eurasian patent (AM, AZ, BY, KG, KZ, MD, RU, TJ, TM), European patent (AT, BE, BG, CH, CY, CZ, DE, DK, EE, ES, FI, FR, GB, GR, HU, IE, IT, LU, MC, NL, PT, RO, SE, SI, SK, TR), OAPI patent (BF, BJ, CF, CG, CI, CM, GA, GN, GQ, GW, ML, MR, NE, SN, TD, TG).

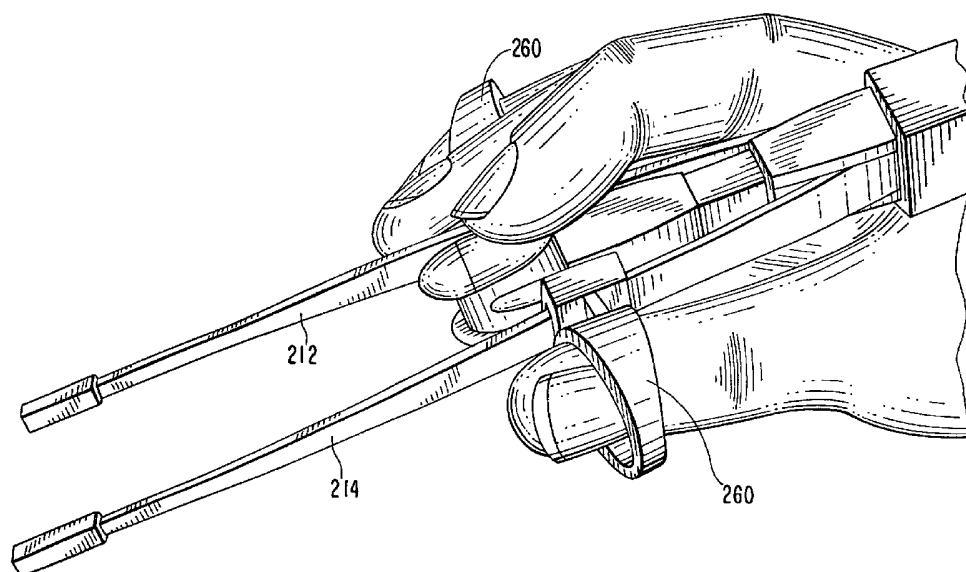
Published:

- with international search report
- before the expiration of the time limit for amending the claims and to be republished in the event of receipt of amendments

(88) Date of publication of the international search report:
14 July 2005

For two-letter codes and other abbreviations, refer to the "Guidance Notes on Codes and Abbreviations" appearing at the beginning of each regular issue of the PCT Gazette.

(54) Title: RINGED FORCEPS



(57) Abstract: A surgical instrument comprises two oppositely-positioned working members (212, 214) each having proximal and distal ends and each having a working surface. The instrument also comprises at least one ring member (260) affixed to a least one of the working members to encompass one or more of a user's fingers. In one embodiment at least one working surface has a heating element to cut or seal and cut tissue.

WO 2004/032596 A3

INTERNATIONAL SEARCH REPORT

International application No.

PCT/US03/32084

A. CLASSIFICATION OF SUBJECT MATTER

IPC(7) : A61B 18/04
 US CL : 606/28-30

According to International Patent Classification (IPC) or to both national classification and IPC

B. FIELDS SEARCHED

Minimum documentation searched (classification system followed by classification symbols)
 U.S. : 606/28-30

Documentation searched other than minimum documentation to the extent that such documents are included in the fields searched

Electronic data base consulted during the international search (name of data base and, where practicable, search terms used)

C. DOCUMENTS CONSIDERED TO BE RELEVANT

| Category * | Citation of document, with indication, where appropriate, of the relevant passages | Relevant to claim No. |
|------------|--|-----------------------|
| X | US 1,083,386 A (CHAPMAN) 06 January 1914, see entire disclosure. | 1,2,4-9,11,15,20 |
| --- | | ----- |
| Y | | 14,16-18 |
| X | US 2,685,880 A (CURUTCHET) 10 August 1954, see entire disclosure. | 1 |

| | |
|---|--|
| <input type="checkbox"/> Further documents are listed in the continuation of Box C. | <input type="checkbox"/> See patent family annex. |
| * Special categories of cited documents: | |
| "A" document defining the general state of the art which is not considered to be of particular relevance | "T" later document published after the international filing date or priority date and not in conflict with the application but cited to understand the principle or theory underlying the invention |
| "E" earlier application or patent published on or after the international filing date | "X" document of particular relevance; the claimed invention cannot be considered novel or cannot be considered to involve an inventive step when the document is taken alone |
| "L" document which may throw doubts on priority claim(s) or which is cited to establish the publication date of another citation or other special reason (as specified) | "Y" document of particular relevance; the claimed invention cannot be considered to involve an inventive step when the document is combined with one or more other such documents, such combination being obvious to a person skilled in the art |
| "O" document referring to an oral disclosure, use, exhibition or other means | "&" document member of the same patent family |
| "P" document published prior to the international filing date but later than the priority date claimed | |

| | |
|---|--|
| Date of the actual completion of the international search 01 February 2005 (01.02.2005) | Date of mailing of the international search report 06 JUN 2005 |
| Name and mailing address of the ISA/US Mail Stop PCT, Attn: ISA/US Commissioner for Patents P.O. Box 1450 Alexandria, Virginia 22313-1450 Facsimile No. (703) 305-3230 | Authorized officer <i>Lee S. Cohen</i> Telephone No. 571-272-4763 |