

(12) INTERNATIONAL APPLICATION PUBLISHED UNDER THE PATENT COOPERATION TREATY (PCT)

(19) World Intellectual Property Organization
International Bureau



(43) International Publication Date
30 October 2003 (30.10.2003)

PCT

(10) International Publication Number
WO 03/088857 A3

(51) International Patent Classification⁷: A61B 18/02

(21) International Application Number: PCT/US03/10965

(22) International Filing Date: 10 April 2003 (10.04.2003)

(25) Filing Language: English

(26) Publication Language: English

(30) Priority Data:
10/126,027 19 April 2002 (19.04.2002) US

(71) Applicant: SCIMED LIFE SYSTEMS, INC. [US/US];
One Scimed Place, Maple Grove, MN 55311-1566 (US).

(72) Inventor: LAFONTAINE, Daniel, M.; 11400 Fifth Avenue North, Plymouth, MN 55441 (US).

(74) Agent: SCHAEFER, Stephen, R.; Fish & Richardson, P.C., P.A., 60 South Sixth Street, Suite 3300, Minneapolis, MN 55402 (US).

(81) Designated States (national): AE, AG, AL, AM, AT, AU, AZ, BA, BB, BG, BR, BY, BZ, CA, CH, CN, CO, CR, CU,

CZ, DE, DK, DM, DZ, EC, EE, ES, FI, GB, GD, GE, GH, GM, HR, HU, ID, IL, IN, IS, JP, KE, KG, KP, KR, KZ, LC, LK, LR, LS, LT, LU, LV, MA, MD, MG, MK, MN, MW, MX, MZ, NO, NZ, OM, PH, PL, PT, RO, RU, SD, SE, SG, SK, SL, TJ, TM, TN, TR, TT, TZ, UA, UG, UZ, VN, YU, ZA, ZM, ZW.

(84) Designated States (regional): ARIPO patent (GH, GM, KE, LS, MW, MZ, SD, SL, SZ, TZ, UG, ZM, ZW), Eurasian patent (AM, AZ, BY, KG, KZ, MD, RU, TJ, TM), European patent (AT, BE, BG, CH, CY, CZ, DE, DK, EE, ES, FI, FR, GB, GR, HU, IE, IT, LU, MC, NL, PT, RO, SE, SI, SK, TR), OAPI patent (BF, BJ, CF, CG, CI, CM, GA, GN, GQ, GW, ML, MR, NE, SN, TD, TG).

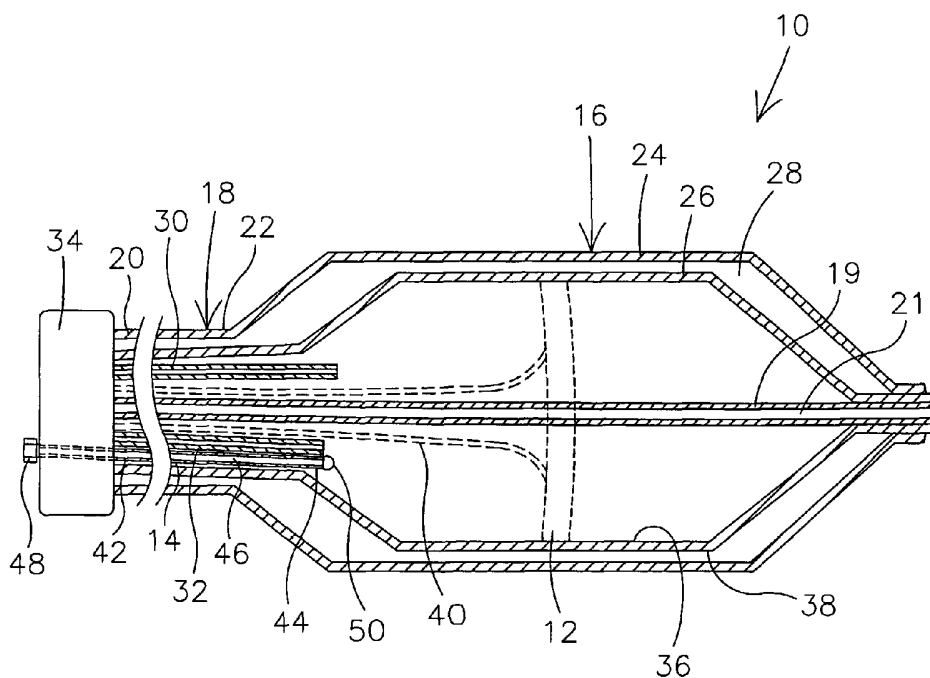
Published:

- with international search report
- before the expiration of the time limit for amending the claims and to be republished in the event of receipt of amendments

(88) Date of publication of the international search report:
4 December 2003

For two-letter codes and other abbreviations, refer to the "Guidance Notes on Codes and Abbreviations" appearing at the beginning of each regular issue of the PCT Gazette.

(54) Title: CRYO BALLOON



(57) Abstract: Devices and methods for performing cryo therapy, cryo ablation or cryoplasty. A cryo therapy apparatus may comprise an elongate shaft, a cooling member disposed at the distal end of the shaft, and a pressure gauge coupled to the cooling member.



WO 03/088857 A3

INTERNATIONAL SEARCH REPORT

International Application No
PCT/US 03/10965

A. CLASSIFICATION OF SUBJECT MATTER IPC 7 A61B18/02		
According to International Patent Classification (IPC) or to both national classification and IPC		
B. FIELDS SEARCHED		
Minimum documentation searched (classification system followed by classification symbols) IPC 7 A61B		
Documentation searched other than minimum documentation to the extent that such documents are included in the fields searched		
Electronic data base consulted during the international search (name of data base and, where practical, search terms used) EPO-Internal		
C. DOCUMENTS CONSIDERED TO BE RELEVANT		
Category *	Citation of document, with indication, where appropriate, of the relevant passages	Relevant to claim No.
Y	US 5 868 735 A (LAFONTAINE DANIEL M) 9 February 1999 (1999-02-09) the whole document	1, 2, 21, 27-30
Y	WO 02 07625 A (LAFONTAINE DANIEL M ; SCIMED LIFE SYSTEMS INC (US)) 31 January 2002 (2002-01-31) page 14, line 7 - line 19; figure 3	1, 2, 21, 27-30
A	US 6 283 959 B1 (LALONDE JEAN PIERRE ET AL) 4 September 2001 (2001-09-04) column 12, line 34 - line 44; figures 1, 2	1-30
A	US 6 290 696 B1 (LAFONTAINE DANIEL M) 18 September 2001 (2001-09-18) abstract; figures 3, 4	1-30
<input type="checkbox"/> Further documents are listed in the continuation of box C.		
<input checked="" type="checkbox"/> Patent family members are listed in annex.		
* Special categories of cited documents :		
A document defining the general state of the art which is not considered to be of particular relevance *E* earlier document but published on or after the international filing date *L* document which may throw doubts on priority claim(s) or which is cited to establish the publication date of another citation or other special reason (as specified) *O* document referring to an oral disclosure, use, exhibition or other means *P* document published prior to the international filing date but later than the priority date claimed		*T* later document published after the international filing date or priority date and not in conflict with the application but cited to understand the principle or theory underlying the invention *X* document of particular relevance; the claimed invention cannot be considered novel or cannot be considered to involve an inventive step when the document is taken alone *Y* document of particular relevance; the claimed invention cannot be considered to involve an inventive step when the document is combined with one or more other such documents, such combination being obvious to a person skilled in the art. *&* document member of the same patent family
Date of the actual completion of the international search 24 September 2003		Date of mailing of the international search report 02/10/2003
Name and mailing address of the ISA European Patent Office, P.B. 5818 Patentlaan 2 NL - 2280 HV Rijswijk Tel. (+31-70) 340-2040, Tx. 31 651 epo nl, Fax: (+31-70) 340-3016		Authorized officer Hansen, S

INTERNATIONAL SEARCH REPORT

International application No.
PCT/US 03/10965

Box I Observations where certain claims were found unsearchable (Continuation of item 1 of first sheet)

This International Search Report has not been established in respect of certain claims under Article 17(2)(a) for the following reasons:

1. Claims Nos.: 31-35
because they relate to subject matter not required to be searched by this Authority, namely:
Rule 39.1(iv) PCT - Method for treatment of the human or animal body by surgery
2. Claims Nos.:
because they relate to parts of the International Application that do not comply with the prescribed requirements to such an extent that no meaningful International Search can be carried out, specifically:
3. Claims Nos.:
because they are dependent claims and are not drafted in accordance with the second and third sentences of Rule 6.4(a).

Box II Observations where unity of invention is lacking (Continuation of item 2 of first sheet)

This International Searching Authority found multiple inventions in this international application, as follows:

1. As all required additional search fees were timely paid by the applicant, this International Search Report covers all searchable claims.
2. As all searchable claims could be searched without effort justifying an additional fee, this Authority did not invite payment of any additional fee.
3. As only some of the required additional search fees were timely paid by the applicant, this International Search Report covers only those claims for which fees were paid, specifically claims Nos.:
4. No required additional search fees were timely paid by the applicant. Consequently, this International Search Report is restricted to the invention first mentioned in the claims; it is covered by claims Nos.:

Remark on Protest

- The additional search fees were accompanied by the applicant's protest.
- No protest accompanied the payment of additional search fees.

INTERNATIONAL SEARCH REPORT

Information on patent family members

In International Application No

PCT/US 03/10965

Patent document cited in search report	Publication date	Patent family member(s)	Publication date
US 5868735 A	09-02-1999	EP 0910295 A1	28-04-1999
		WO 9838934 A1	11-09-1998
		US 6290696 B1	18-09-2001
		US 2002032438 A1	14-03-2002
WO 0207625 A	31-01-2002	AU 8128001 A	05-02-2002
		EP 1303226 A2	23-04-2003
		WO 0207625 A2	31-01-2002
US 6283959 B1	04-09-2001	US 2002045893 A1	18-04-2002
US 6290696 B1	18-09-2001	US 5868735 A	09-02-1999
		EP 0910295 A1	28-04-1999
		WO 9838934 A1	11-09-1998
		US 2002032438 A1	14-03-2002