



US00RE42874E

(19) **United States**
(12) **Reissued Patent**
Sidwell

(10) **Patent Number:** **US RE42,874 E**
(45) **Date of Reissued Patent:** **Nov. 1, 2011**

(54) **BALLOON AND ROD CONNECTOR
COMBINED WITH THE ROD**

Primary Examiner — Catherine Tuttle
(74) *Attorney, Agent, or Firm* — Saliwanchik, Lloyd & Eisenschenk

(75) Inventor: **Paul E. Sidwell**, Duluth, GA (US)

(73) Assignee: **Maximum Visibility Solutions, LLC**,
Alachua, FL (US)

(57) **CLAIM**
The ornamental design for a balloon and rod connector combined with the rod, as shown and described.

(**) Term: **14 Years**

(21) Appl. No.: **29/322,997**

(22) Filed: **Aug. 15, 2008**

Related U.S. Patent Documents

Reissue of:

(64) Patent No.: **Des. 529,102**
Issued: **Sep. 26, 2006**
Appl. No.: **29/228,733**
Filed: **Apr. 28, 2005**

U.S. Applications:

(62) Division of application No. 29/286,205, filed on Apr. 27, 2007, now Pat. No. Re. 41,056.

(51) **LOC (9) Cl.** **21-01**

(52) **U.S. Cl.** **D21/453; D20/40**

(58) **Field of Classification Search** D21/438-440,
D21/453, 454; D11/117-130, 146, 164;
D8/373, 382, 383, 394, 395, 396; D20/42,
D20/43; 446/220-226; 40/212, 214, 591,
40/592, 606.01, 606.03, 606.11, 606.12,
40/607.1, 607.11; 428/7-9, 12, 23, 27, 31;
24/30.5, 543, 545, 555, 570; 211/13.1, 60.1,
211/89.01; 116/28 R, 30, 210, DIG. 8, DIG. 9
See application file for complete search history.

(56) **References Cited**

U.S. PATENT DOCUMENTS

2,882,645 A * 4/1959 Stivers 446/220
(Continued)

FOREIGN PATENT DOCUMENTS

EP 105179 A1 * 4/1984
(Continued)

DESCRIPTION

Notice: More than one reissue application has been filed for the reissue of U.S. Design Pat. No. D529,102. The reissue applications are 29/322,997 (the present application), which is a divisional of application Ser. No. 29/286,205, which was a reissue of U.S. Pat. No. D529,102.

[FIG. 1 is a perspective view showing my new design with the rod portion removed for a clear disclosure of the end configuration;]

[FIG. 2 is a reduced scale front elevational view thereof;]

[FIG. 3 is a rear elevational view thereof;]

[FIG. 4 is a left side elevational view thereof;]

[FIG. 5 is a right side elevational view thereof;]

[FIG. 6 is top view thereof;

[FIG. 7 is a bottom view thereof; and,]

[FIG. 8 is an enlarged scale perspective view of the cross section along line 8-8 of FIG. 3.]

FIG. 9 is a perspective view showing a second embodiment of my new design without the inner liner cup and with the rod portion removed for a clear disclosure of the end configuration;

FIG. 10 is a reduced scale front elevational view thereof;

FIG. 11 is a rear elevational view thereof;

FIG. 12 is a left side elevational view thereof;

FIG. 13 is a right side elevational view thereof;

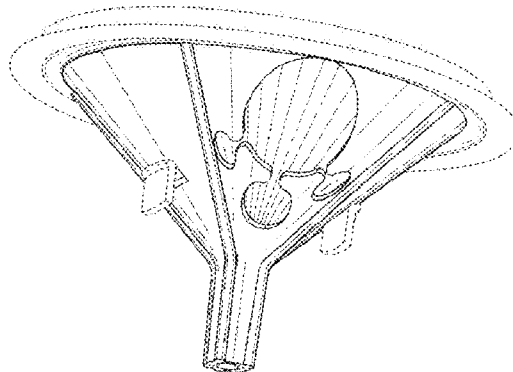
FIG. 14 is top view thereof; and,

FIG. 15 is a bottom view thereof.

The broken lines are included for the purpose of illustrating portions of the balloon and rod connector combined with the rod that form no part of the claimed design.

1 Claim, 6 Drawing Sheets

Matter enclosed in heavy brackets [] appears in the original patent, but forms no part of this reissue; matter printed in italics indicates the additions made by reissue.



US RE42,874 E

Page 2

U.S. PATENT DOCUMENTS

3,267,604 A * 8/1966 Goldsmith 446/222
4,661,081 A * 4/1987 Basseches 446/220
4,715,841 A * 12/1987 Nelson et al. 446/222
4,729,749 A * 3/1988 Milne 446/222
4,737,133 A * 4/1988 Neumeier 446/397
4,837,059 A * 6/1989 Milne 428/12
4,879,823 A * 11/1989 Collins 40/124.01
4,895,545 A * 1/1990 Nelson 446/220
5,021,022 A * 6/1991 Ganz 446/220
D329,261 S * 9/1992 Pollack D21/440
5,203,530 A * 4/1993 Liu 248/309.1
5,295,891 A * 3/1994 Schalk 446/222

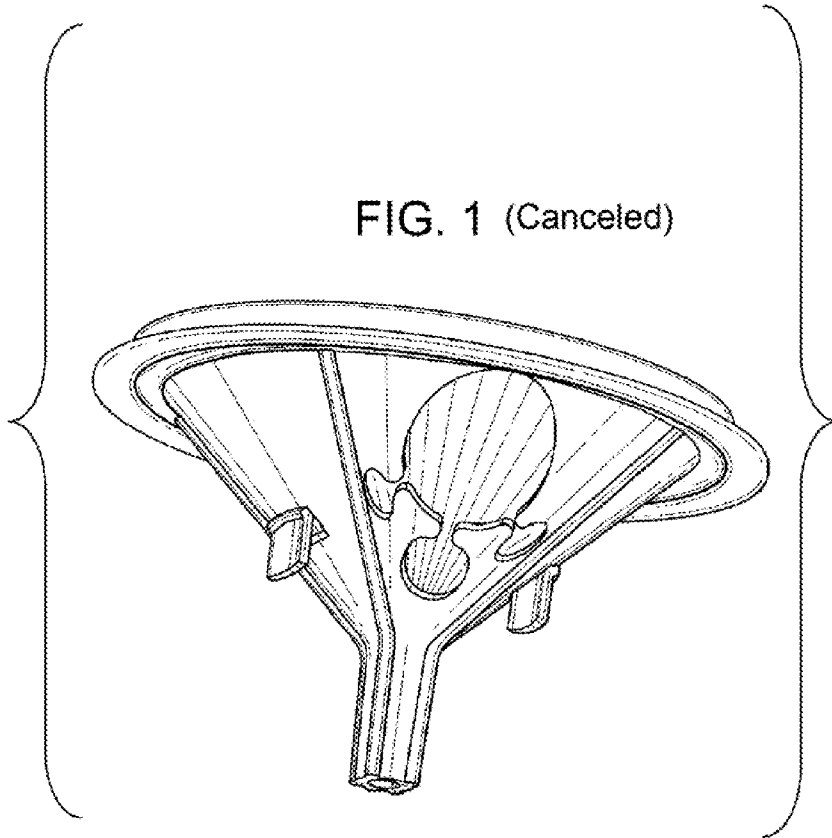
5,395,276 A * 3/1995 Valentino 446/217
D360,844 S * 8/1995 Miller et al. D10/110
5,444,607 A * 8/1995 Dreyfuss 362/352
6,176,758 B1 * 1/2001 Wu 446/224
6,375,534 B1 * 4/2002 Burns 446/220
6,575,806 B1 * 6/2003 Nelson et al. 446/222
6,969,295 B1 * 11/2005 Sidwell 446/220

FOREIGN PATENT DOCUMENTS

WO 9105592 A1 5/1991
WO 9105592 A1 * 5/1991

* cited by examiner

FIG. 1 (Canceled)



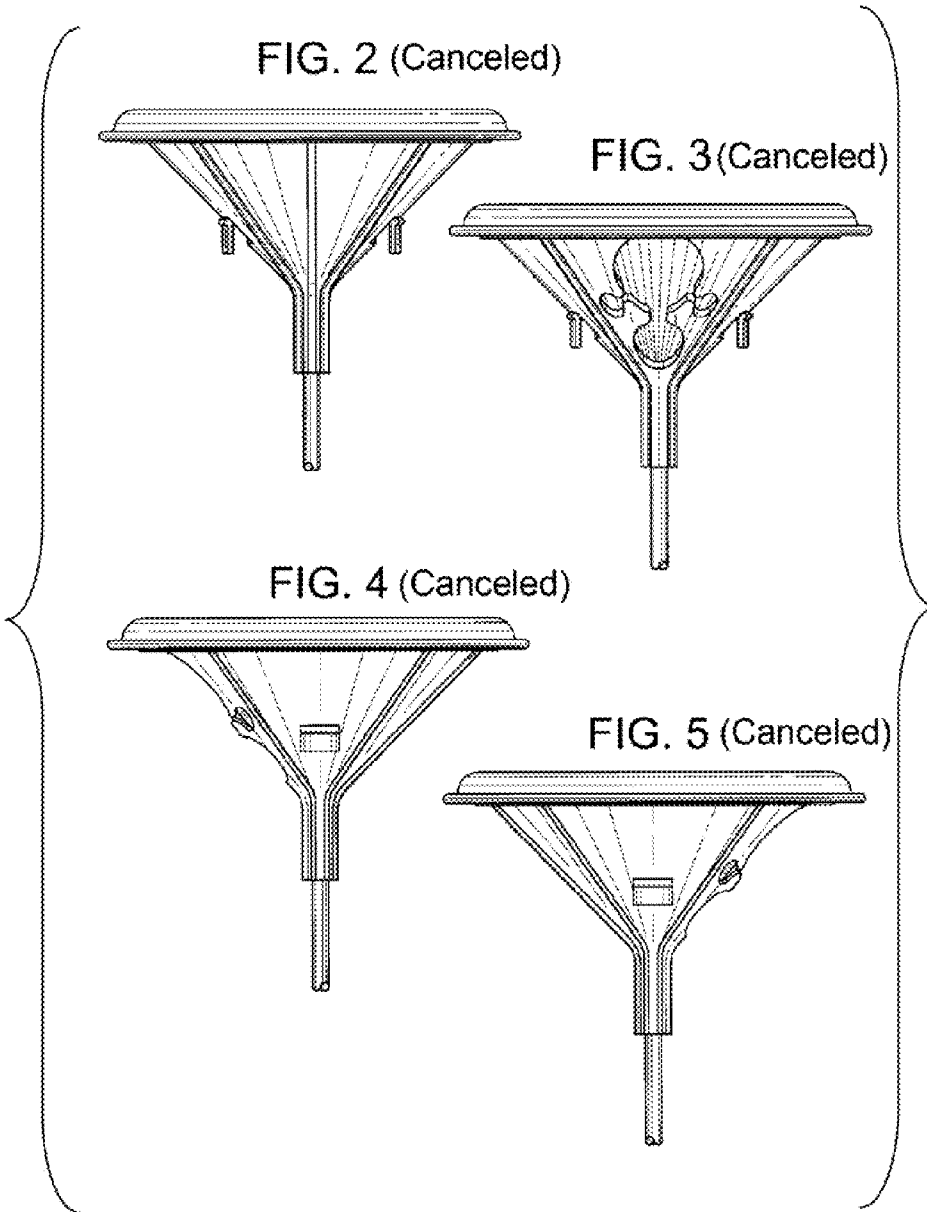


FIG. 6 (Canceled)

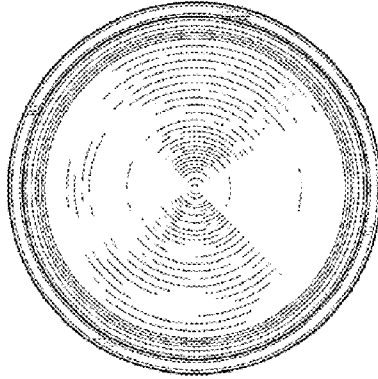


FIG. 7 (Canceled)

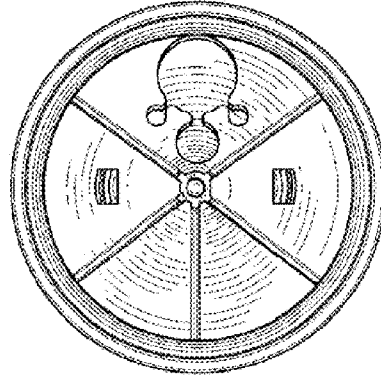


FIG. 8
(Canceled)

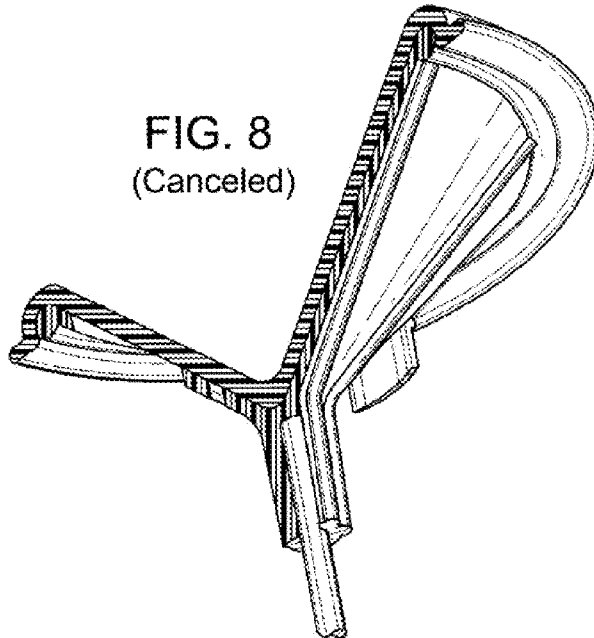


FIG. 9 (NEW)

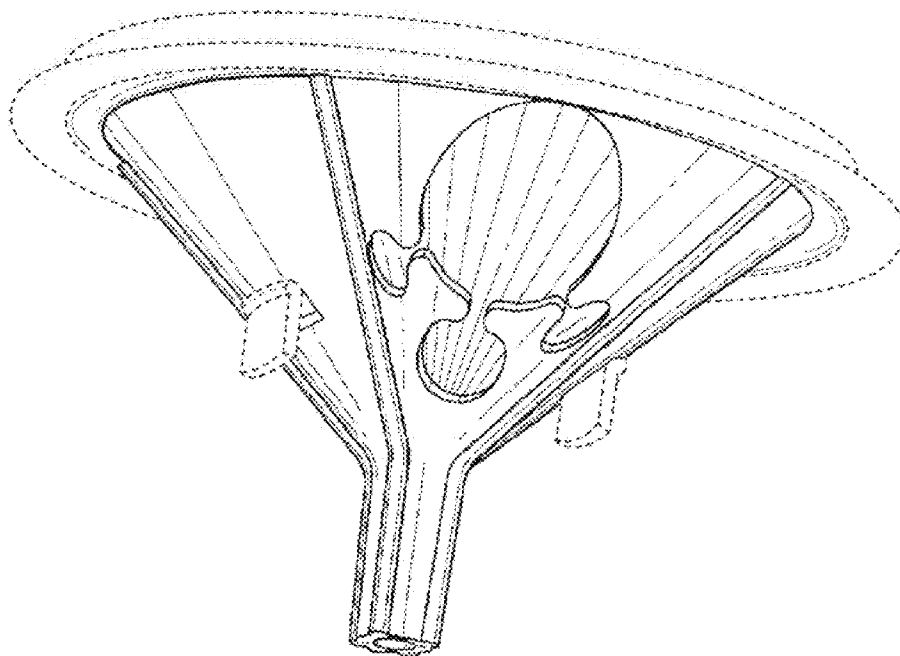


FIG. 10 (NEW)

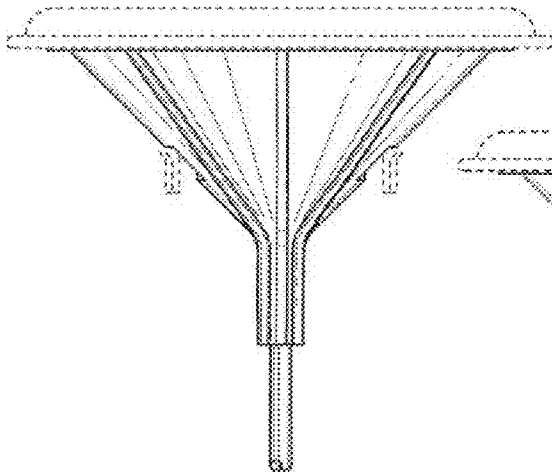


FIG. 11 (NEW)

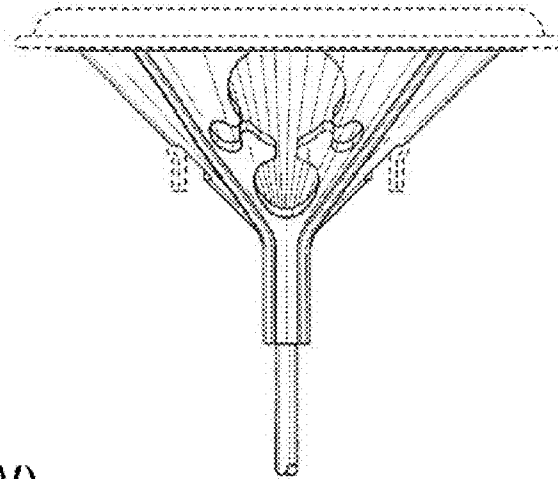


FIG. 12 (NEW)

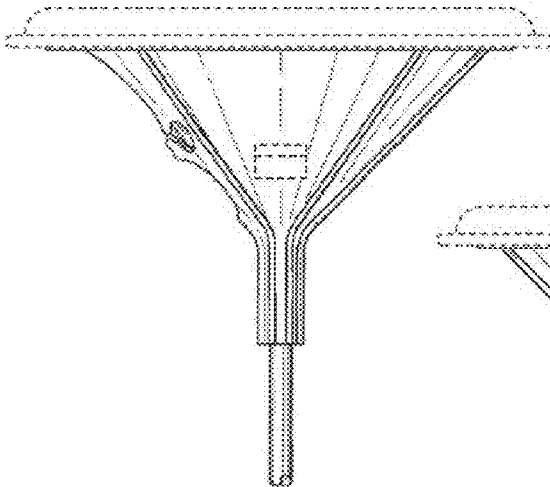


FIG. 13 (NEW)

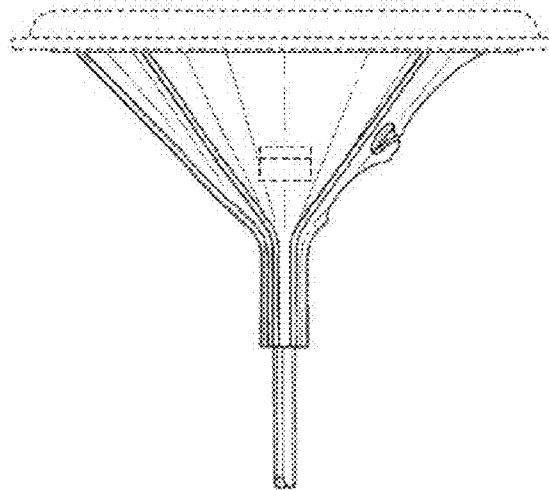


FIG. 14 (NEW)

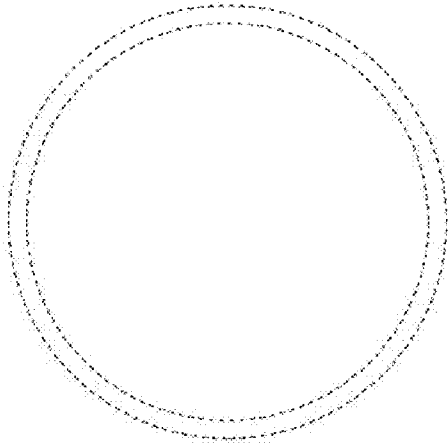


FIG. 15 (NEW)

